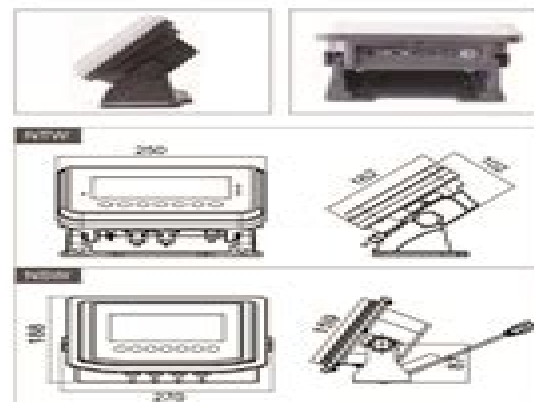


NTW/NSW Weighing Indicators



Features

Stainless steel display device (only NSW) and superior display size

Flexible positioning, e.g. free-standing or mounted to the wall

Full function: unit change, accumulation, checkweighing, simply counting, Gross/Net shift

Weighing with tolerance range (check-weighing): a visual and audible signal helps with portioning, dispensing or grading

Hold function: When the weighing conditions are unstable, a stable weight is calculated determining an average value

RS-232 interface can connect to PC or printer.

Technical Data

Display: LCD display, digit height 52 mm, with white color LED backlight

Power: AC adapter (12V/300mA), rechargeable battery (lead acid battery 6V/4AH), operation time 70 hours

Operation temperature: -10°C/40°C

Accessories

- Connection parts to install on pole for platform scale
- RS-232 cable for PC
- RS-232 cable for printer

- Mini printer
- Label printer
- Bluetooth data interface, data transfer to PC or tablets.
- Analogue output (0-10V or 4-20mA, selectable)
- 3 color light tower

Standard

Factory Option



Model	NTW	NSW
Housing	ABS plastic	Stainless steel
Dimensions	250x162x133 mm	270x166x166 mm
Net weight	1.6kg	2kg
nmax.	6000 for approved, 30000 for none approved	
Load cell input resistance	43-1600 ohms	
Load cell excitation voltage	5VDC	
Vmin(only for approval)	0.5uV	
Cable length	46.1m/mm ²	
Load cell connector	Air connector, 5pin for none approved model, 7pin for EC type approved model, 9pin for NTEP model	

Technical Manual Weighing Indicator

Wenbin Ji

A decorative graphic element consisting of a light blue horizontal bar with a rounded right end, and a red-to-white gradient semi-circle positioned behind the bar's end.

Technical Manual Weighing Indicator:

Delve into the emotional tapestry woven by Crafted by in Experience **Technical Manual Weighing Indicator** . This ebook, available for download in a PDF format (*), is more than just words on a page; it's a journey of connection and profound emotion. Immerse yourself in narratives that tug at your heartstrings. Download now to experience the pulse of each page and let your emotions run wild.

<https://about.livewellcolorado.org/About/browse/Documents/Aban%20Offshore%20Limited%20Iranianuk.pdf>

Table of Contents Technical Manual Weighing Indicator

1. Understanding the eBook Technical Manual Weighing Indicator
 - The Rise of Digital Reading Technical Manual Weighing Indicator
 - Advantages of eBooks Over Traditional Books
2. Identifying Technical Manual Weighing Indicator
 - Exploring Different Genres
 - Considering Fiction vs. Non-Fiction
 - Determining Your Reading Goals
3. Choosing the Right eBook Platform
 - Popular eBook Platforms
 - Features to Look for in an Technical Manual Weighing Indicator
 - User-Friendly Interface
4. Exploring eBook Recommendations from Technical Manual Weighing Indicator
 - Personalized Recommendations
 - Technical Manual Weighing Indicator User Reviews and Ratings
 - Technical Manual Weighing Indicator and Bestseller Lists
5. Accessing Technical Manual Weighing Indicator Free and Paid eBooks
 - Technical Manual Weighing Indicator Public Domain eBooks
 - Technical Manual Weighing Indicator eBook Subscription Services
 - Technical Manual Weighing Indicator Budget-Friendly Options

6. Navigating Technical Manual Weighing Indicator eBook Formats
 - ePub, PDF, MOBI, and More
 - Technical Manual Weighing Indicator Compatibility with Devices
 - Technical Manual Weighing Indicator Enhanced eBook Features
7. Enhancing Your Reading Experience
 - Adjustable Fonts and Text Sizes of Technical Manual Weighing Indicator
 - Highlighting and Note-Taking Technical Manual Weighing Indicator
 - Interactive Elements Technical Manual Weighing Indicator
8. Staying Engaged with Technical Manual Weighing Indicator
 - Joining Online Reading Communities
 - Participating in Virtual Book Clubs
 - Following Authors and Publishers Technical Manual Weighing Indicator
9. Balancing eBooks and Physical Books Technical Manual Weighing Indicator
 - Benefits of a Digital Library
 - Creating a Diverse Reading Collection Technical Manual Weighing Indicator
10. Overcoming Reading Challenges
 - Dealing with Digital Eye Strain
 - Minimizing Distractions
 - Managing Screen Time
11. Cultivating a Reading Routine Technical Manual Weighing Indicator
 - Setting Reading Goals Technical Manual Weighing Indicator
 - Carving Out Dedicated Reading Time
12. Sourcing Reliable Information of Technical Manual Weighing Indicator
 - Fact-Checking eBook Content of Technical Manual Weighing Indicator
 - Distinguishing Credible Sources
13. Promoting Lifelong Learning
 - Utilizing eBooks for Skill Development
 - Exploring Educational eBooks
14. Embracing eBook Trends
 - Integration of Multimedia Elements

- Interactive and Gamified eBooks

Technical Manual Weighing Indicator Introduction

In the digital age, access to information has become easier than ever before. The ability to download Technical Manual Weighing Indicator has revolutionized the way we consume written content. Whether you are a student looking for course material, an avid reader searching for your next favorite book, or a professional seeking research papers, the option to download Technical Manual Weighing Indicator has opened up a world of possibilities. Downloading Technical Manual Weighing Indicator provides numerous advantages over physical copies of books and documents. Firstly, it is incredibly convenient. Gone are the days of carrying around heavy textbooks or bulky folders filled with papers. With the click of a button, you can gain immediate access to valuable resources on any device. This convenience allows for efficient studying, researching, and reading on the go. Moreover, the cost-effective nature of downloading Technical Manual Weighing Indicator has democratized knowledge. Traditional books and academic journals can be expensive, making it difficult for individuals with limited financial resources to access information. By offering free PDF downloads, publishers and authors are enabling a wider audience to benefit from their work. This inclusivity promotes equal opportunities for learning and personal growth. There are numerous websites and platforms where individuals can download Technical Manual Weighing Indicator. These websites range from academic databases offering research papers and journals to online libraries with an expansive collection of books from various genres. Many authors and publishers also upload their work to specific websites, granting readers access to their content without any charge. These platforms not only provide access to existing literature but also serve as an excellent platform for undiscovered authors to share their work with the world. However, it is essential to be cautious while downloading Technical Manual Weighing Indicator. Some websites may offer pirated or illegally obtained copies of copyrighted material. Engaging in such activities not only violates copyright laws but also undermines the efforts of authors, publishers, and researchers. To ensure ethical downloading, it is advisable to utilize reputable websites that prioritize the legal distribution of content. When downloading Technical Manual Weighing Indicator, users should also consider the potential security risks associated with online platforms. Malicious actors may exploit vulnerabilities in unprotected websites to distribute malware or steal personal information. To protect themselves, individuals should ensure their devices have reliable antivirus software installed and validate the legitimacy of the websites they are downloading from. In conclusion, the ability to download Technical Manual Weighing Indicator has transformed the way we access information. With the convenience, cost-effectiveness, and accessibility it offers, free PDF downloads have become a popular choice for students, researchers, and book lovers worldwide. However, it is crucial to engage in ethical downloading practices and prioritize personal security when utilizing online platforms. By doing so, individuals can make the most of the vast array of

free PDF resources available and embark on a journey of continuous learning and intellectual growth.

FAQs About Technical Manual Weighing Indicator Books

How do I know which eBook platform is the best for me? Finding the best eBook platform depends on your reading preferences and device compatibility. Research different platforms, read user reviews, and explore their features before making a choice. Are free eBooks of good quality? Yes, many reputable platforms offer high-quality free eBooks, including classics and public domain works. However, make sure to verify the source to ensure the eBook credibility. Can I read eBooks without an eReader? Absolutely! Most eBook platforms offer web-based readers or mobile apps that allow you to read eBooks on your computer, tablet, or smartphone. How do I avoid digital eye strain while reading eBooks? To prevent digital eye strain, take regular breaks, adjust the font size and background color, and ensure proper lighting while reading eBooks. What the advantage of interactive eBooks? Interactive eBooks incorporate multimedia elements, quizzes, and activities, enhancing the reader engagement and providing a more immersive learning experience. Technical Manual Weighing Indicator is one of the best book in our library for free trial. We provide copy of Technical Manual Weighing Indicator in digital format, so the resources that you find are reliable. There are also many Ebooks of related with Technical Manual Weighing Indicator. Where to download Technical Manual Weighing Indicator online for free? Are you looking for Technical Manual Weighing Indicator PDF? This is definitely going to save you time and cash in something you should think about.

Find Technical Manual Weighing Indicator :

[aban offshore limited iranianuk](#)

[1982 honda nighthawk 750sc manual](#)

used toyota land cruiser prado

[france since 1945](#)

[volvo penta service workshop manual](#)

key papers in the development of coding theory

upmsp list of holidays 2015

[who i am speech essays](#)

[2006 porsche 911 s owners manual](#)

[70 yamaha outboard timing adjustment](#)

magic tree house comprehension questions

~~federal income tax its sources and applications~~

at t 3g microcelltm user manual

the marriage sabbatical english edition

bosch ahr 150pressure washer manual

Technical Manual Weighing Indicator :

Questions and answers on biosimilar ... Sep 27, 2012 — Questions and answers. Questions and answers on biosimilar medicines (similar biological medicinal products). What is a biological medicine? A ... Guidance for Industry guidance document (Questions and Answers on Biosimilar Development and the BPCI Act) and. December 2018 draft guidance document (New and Revised Draft Q&As ... Questions and answers for biological medicinal products 1. How can specification limits be clinically justified for a biosimilar? September 2023. Frequently Asked Questions About Biologic and Biosimilar ... Answer: A biosimilar is a biologic product developed to be highly similar to a previously FDA approved biologic, known as the reference product. A ... Questions and Answers on Biosimilar Development ... Sep 20, 2021 — ... biosimilar and interchangeable products. This final guidance document ... product has the same “strength” as the reference product. FDA ... Biosimilars Frequently Asked Questions What is a biosimilar? · What is a biologic product? · What is the difference between a biosimilar and a generic? · What is Immunogenicity? · What does the approval ... Biosimilars: Questions and Answers on ... Dec 12, 2018 — The Food and Drug Administration (FDA or Agency) is announcing the availability of a final guidance for industry entitled ``Questions and ... Biological and biosimilar medicines - What patients should ... answers to a range of questions on biological and biosimilar medicines. The ... Are biosimilar medicines the same as generic medicines? No. A biosimilar ... How Similar Are Biosimilars? What Do Clinicians Need to ... by C Triplitt · 2017 · Cited by 15 — Biosimilars are not the same as generics; they are similar, but not identical, to their reference drug, meaning that they may have small differences that could ... Biosimilar Drugs: Your Questions Answered Is a biosimilar comparable to the original biologic drug? Yes. It is not an ... As manufacturers compete with each other to make similar products at lower ... End Papers 8 The Perugia Convention Spokesman 46 Summer ... End Papers 8 The Perugia Convention Spokesman 46 Summer 1984. 1. End Papers 8 The Perugia Convention Spokesman 46. Summer 1984. Computational Science and Its ... Shop Military Collections End Papers 8 The Perugia Convention (Spokesman 46 Summer 1984). Coates, Ken, Ed. 1984. 1st ... END and Its Attempt to Overcome the Bipolar World Order ... by S Berger · 2016 · Cited by 2 — This article deals with European Nuclear Disarmament's (END) difficult positioning in the. Cold War of the 1980s. Its vision was for a humanistic socialism ... PERUGIA AND THE PLOTS OF THE MONOBIBLOS by BW BREED · 2009 · Cited by 9 — secrets of meaning and authorial

design is a well-known phenomenon of the interpretation of Roman poetry books, and Propertius' 'single book' has featured.

11 Imagining the apocalypse: nuclear winter in science and ... 'Introduction', *ENDpapers Eight*, Spokesman 46, Summer 1984, p. 1. 27. 'New Delhi declaration on the nuclear arms race, 1985', in E. J. Ozmanczyk ... Bernardo Dessau This paper examines Bernardo Dessau's activities within the Zionist movement in the years between the end of the Nineteenth century and the first two decades of ... Search end papers 8 the perugia convention spokesman 46 summer 1984 [PDF] · macroeconomics blanchard 6th edition download (2023) · how can i download an exemplar paper ... Guide to the Catgut Acoustical Society Newsletter and Journal ... The Newsletter was published twice a year in May and November from 1964-1984 for a total of 41 issues. The title changed to the Journal of the Catgut Acoustical ... The Illustrated Giant Bible of Perugia (Biblioteca Augusta ... Praised by Edward Garrison as "the most impressive, the most monumental illustrations of all the Italian twelfth century now known," the miniatures of the Giant ... The True Story of Fala: Margaret Suckley & Alice Dalgliesh ... This classic children's book about a dog and his president has been reissued by Wilderstein Preservation and Black Dome Press with a new foreword by J. Winthrop ... The True Story of Fala by Margaret Suckly and Alice Dalgliesh The True Story of Fala by Margaret Suckly and Alice Dalgliesh ... Fala was the Scotty dog who was the friend and companion of President Franklin Delano Roosevelt. SUCKLEY, Margaret L. and Alice DALGLIESH. The True ... FDR's Scottish terrier, Fala, was the most notable of his dogs, and a constant companion to the President. The author, Margaret Suckley, trained Fala when he ... The True Story of Fala - Margaret L. Suckley, Alice Dalgliesh "The True Story of Fala" was written by Margaret (Daisy) Suckley for her close friend and distant cousin Franklin Delano Roosevelt celebrating the loveable ... The True Story of Fala - olana museum store Fala was the most famous dog of his time and maybe the most famous dog in all of American history. This classic children's book about a dog and his president has ... True Story of Fala - First Edition - Signed - Franklin D. ... First edition, presentation copy, of this illustrated biography of FDR's dog Fala, inscribed to Roosevelt's friends and distant relatives, the Murrays: "For ... The True Story of Fala - \$13.95 : Zen Cart!, The Art of E- ... Mar 19, 2015 — This classic children's book about a dog and his president has been reissued by Wilderstein Preservation and Black Dome Press with a new ... The True Story of Fala by Margaret Suckley & Alice ... A loyal and loving companion to the President. ... This is a must have book for any Scottie lover or collector. It was written by the lady who trained Fala! Ms. the true story of fala THE TRUE STORY OF FALA by Suckley, Margaret L. and a great selection of related books, art and collectibles available now at AbeBooks.com. The True Story of Fala - Margaret Suckley & Alice Dalgliesh Fala was the Scotty dog who was the friend and companion of President Franklin Delano Roosevelt. Fala was sometimes serious, Sometimes happy, ...