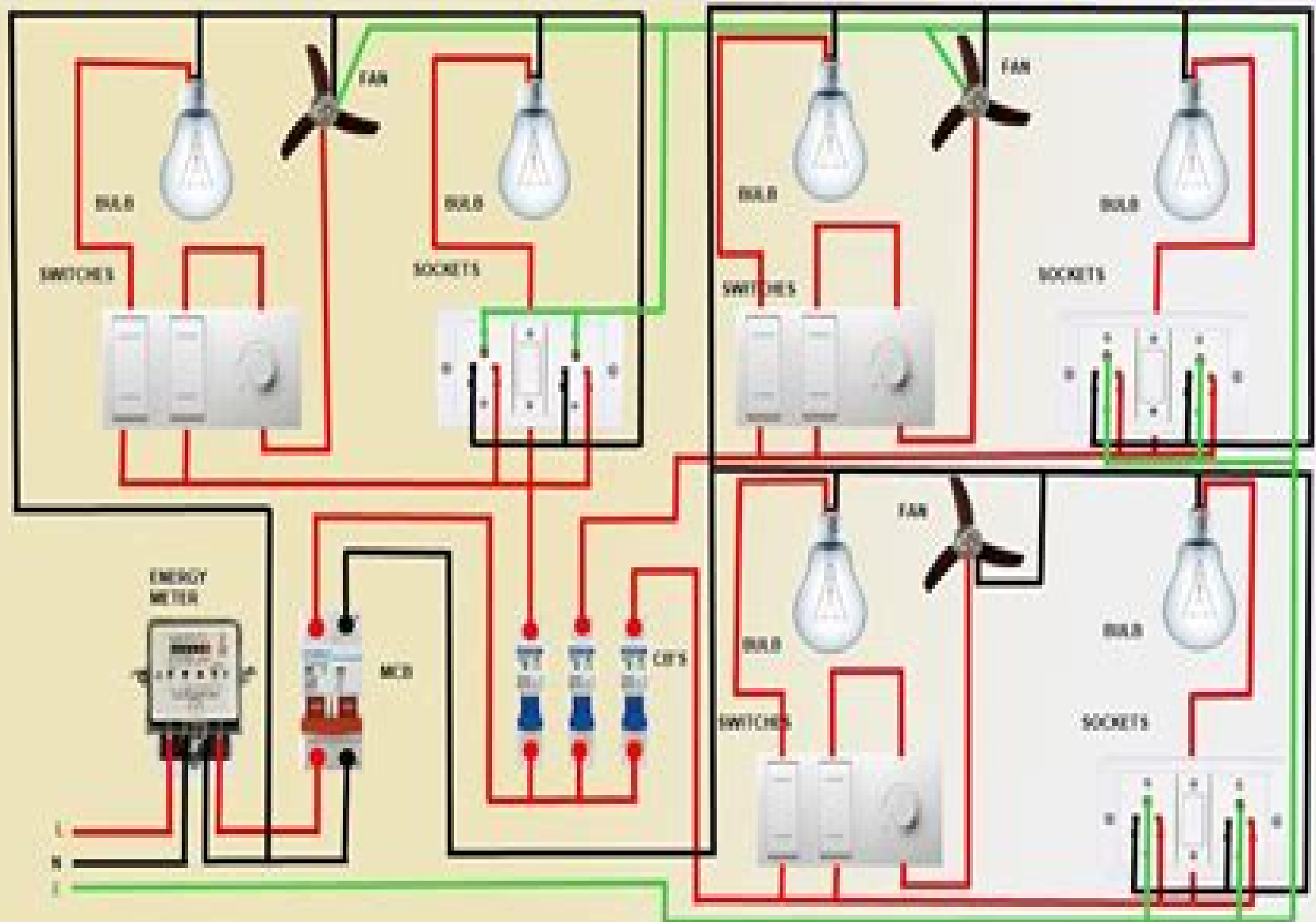


3 Room Electrical Wiring Full House Wiring Diagram



Simple Home Wiring Circuits

Editors of Cool Springs Press



Simple Home Wiring Circuits:

Basic Home Wiring Illustrated Linda J. Selden, 1977 *Home Wiring* Albert Jackson, David Day, 2006 Flip the switch and the light goes on but what if it doesn't? Are you in the dark about the world of circuits and wires and how to handle the problems that inevitably arise? Popular Mechanics enlightens the do-it-yourselfer about home electrical basics. Subjects range from simple definitions of volts, amperes, and watts to a well-illustrated explanation of how a circuit works and from guidance on putting together an electrical toolbox to discussions of meters, breakers, and fuses. See how to check for proper grounding, replace switches, locate the hot wire in a cable, fix cords and plugs, deal with electric shocks, repair fixtures, doorbells, thermostats, and much more.

Sunset Basic Home Wiring Illustrated Editors of Sunset Books, 1987-01-01 Describes common household circuits, discusses safety precautions, and covers switches, circuit diagrams, simple repairs, tools, outlets, lights, and conduits. Amazon.com viewed Feb 26 2024

House Wiring Simplified: A Comprehensive Guide for DIYers Pasquale De Marco, 2025-07-20 Welcome to the ultimate guide to house wiring designed to empower homeowners, DIY enthusiasts, and electricians alike with the knowledge and skills to confidently tackle any electrical project. Whether you're looking to install new outlets, switches, or light fixtures, wire ceiling fans, or appliances, or even venture into smart home wiring or outdoor lighting, this comprehensive book has you covered. With clear explanations, step-by-step instructions, and detailed diagrams, you'll find everything you need to know about house wiring in one convenient resource. From the basics of electrical safety to advanced wiring techniques, this book delves into the intricacies of house wiring, helping you understand the underlying principles and apply them to real-world scenarios. You'll learn how to select the right materials, tools, and equipment, as well as how to troubleshoot and repair common electrical problems. This book is more than just a technical manual; it's a practical guide that focuses on safety, efficiency, and code compliance. With its easy-to-follow instructions and expert advice, you'll be able to complete your electrical projects with confidence, knowing that you're doing it right. Whether you're a seasoned electrician or a DIY enthusiast looking to expand your skills, this book is your ultimate companion. It's packed with valuable insights, tips, and tricks that will help you tackle any electrical project with ease. So grab your tools, open this book, and embark on a journey into the world of house wiring. With this comprehensive guide by your side, you'll have the knowledge and confidence to illuminate your home and power your dreams. This book is your trusted guide to understanding and working with house wiring, empowering you to tackle electrical projects with confidence and skill. If you like this book, write a review.

Black & Decker Advanced Home Wiring, Updated 4th Edition Editors of Cool Springs Press, 2015-02-09 Get all of the information you need to complete home wiring projects and make sure they are up to code, even for solar power collection. BLACK DECKER Advanced Home Wiring contains a carefully selected group of home wiring projects that goes far beyond the basics of adding a receptacle or rewiring a lamp. Take your skill in working with electrical systems to a new level. Projects include adding a stand-alone direct current circuit powered by the sun, installing an automatic standby power system.

replacing a main service panel grounding and bonding your electrical system installing a radiant flooring system and working with 240 volt and three phase power There are also updated circuit maps to show available neutral information on AFCI protected service panels and crucially important changes in GFCI protection codes All projects include clear photos and are current with the 2014 2017 National Electrical Code [Home Wiring A-Z](#) Pasquale De Marco,2025-07-23 Step into the world of electrical systems with this comprehensive guide meticulously designed to empower homeowners and DIY enthusiasts alike Within these pages you ll embark on an illuminating journey demystifying the intricacies of electricity and its applications within residential settings Whether you re tackling minor repairs enhancing safety or simply seeking a deeper understanding of your home s electrical infrastructure this book serves as your trusted companion Delve into the fundamental principles of electricity deciphering electrical circuits and mastering the art of outlet and switch installations Discover the nuances of individual appliance circuits and delve into the specialized realm of lighting uncovering the secrets of optimal illumination Special circuits often overlooked but essential for modern homes are thoroughly examined providing valuable insights into their functions and applications Unveiling the mysteries of electrical repairs this book equips you with the knowledge and techniques necessary to tackle common electrical faults replace fixtures and ensure the ongoing safety of your electrical systems Advanced electrical issues are not left unexplored as you ll delve into the complexities of electrical problem solving utilizing diagnostic tools and understanding the intricacies of electrical motors Safety remains paramount throughout with detailed guidance on proper grounding techniques surge protection measures and adherence to electrical codes Embark on DIY electrical projects with confidence following step by step instructions and safety protocols empowering yourself with the skills to maintain and enhance your home s electrical systems From basic troubleshooting to advanced electrical concepts this book serves as an indispensable resource empowering you with the knowledge and skills to confidently navigate the electrical landscape of your home Whether you re a seasoned homeowner or a novice enthusiast let this comprehensive guide illuminate the path towards electrical mastery If you like this book write a review [Building Electrification](#) Arnab Ghosh, [Black and Decker Advanced Home Wiring Updated 6th Edition](#) Editors of Cool Springs Press,2024-06-04 Take on advanced wiring projects with confidence with up to date advice and photo illustrated step by step instructions from a trusted brand Equipped to comply with the 2023 2026 electrical codes and chock full of information that s hard to find online BLACK DECKER Advanced Home Wiring Updated 6th Edition gives you an in depth look at more sophisticated products and more advanced projects in home wiring Some of these projects include A step by step demonstration of the right way to wire a three way switch in any situation A closer look at available neutral requirements and how they impact traditional wiring configurations Information on weatherproof boxes and conduit A primer on three phase power A guide to 240 volt circuitry that eliminates all the confusion These are higher level projects but ones that offer high rewards when they are done right You ll also find Wiring safety No matter what you do safety always come first Learn about

different safety procedures before starting your advanced home wiring project Planning your project Where do you start What equipment do you need What room or rooms are you planning on wiring Go through a planning checklist to ensure your wiring will be the best it can be Wiring kitchens and room additions What is different about wiring a kitchen or a room addition compared to say a living room Find out before you start on it Circuit maps What are some common household circuits How do you replace a service panel What about installing a transfer switch How does one troubleshoot You can find the answers to these as well as other important questions in this edition Whether you're trying to find the right specialty switch or learn more about breakers

BLACK DECKER Advanced Home Wiring has it all With this edition you'll master the art of advanced home wiring Electrical home wiring guide , **500 Simple Home Repair Solutions** Norman Becker,2008-03 Presented in an accessible question and answer format information on repairs and upgrades from the Popular Mechanics column Homeowner's Clinic comes from real life situations faced by homeowners *Black & Decker Advanced Home Wiring* Editors Of Creative Publishing,2012-06-15 Current with Codes through 2014 A carefully selected group of home wiring projects that goes beyond the basics of adding a receptacle or rewiring a lamp With the information in this book you can take your skill in working with electrical systems to a new level Projects include adding a stand alone direct current circuit powered by the sun installing an automatic standby power system replacing a main service panel grounding and bonding your electrical system installing a radiant flooring system and working with 240 volt and three phase power

House Wiring United States. Office of Education,H. N. Peterson,1935 **Black & Decker Advanced Home Wiring, 5th Edition** Editors of Cool Springs Press,2018-01-02 Newly revised and updated a fifth edition of the popular DIY wiring guide presents high level projects and step by step demonstrations that conform to the latest national electrical codes

Electrical Instruments and Testing Norman Hugh Schneider,1905 How Your House Works Charlie Wing,2012-04-12 Understand how to maintain everything in your home including the kitchen sink How Your House Works Second Edition reinforces the fact that it pays to be an informed consumer Knowledge of your home's systems helps you control repair and construction costs and makes sure the correct elements are being installed or replaced How Your House Works uncovers the mysteries behind just about every major appliance and building element in your house Clear full color drawings show you exactly how these things should be put together and how they function including what to check if they don't work Covering topics such as electrical systems heating and air conditioning plumbing major household appliances foundation framing doors and windows this updated Second Edition has considerable additional information with new chapters related to sustainability in and outside the house as well as new topics including clock thermostats ventless gas heaters moisture and mold and passive solar heating Illustrated guidance on electrical systems heating and air conditioning plumbing major household appliances foundation framing doors and windows Includes a wealth of additional information with new chapters related to sustainability and outside the house Features new topics that include clock thermostats ventless

gas heaters moisture and mold LED lamps motion activated light switches and passive solar heating Presented in a richly illustrated with full color drawings With see through cross section drawings that show you how things are put together and how they function How Your House Works supplies you with the knowledge that just might save you having to call in a professional

Budget Friendly DIY Home Claire Donnelly, 2025-11-10 Dreaming of a home makeover but worried about the budget In Budget Friendly DIY Home Unlock Your Home's Potential Easy Creative Projects for Every Room Ben Carter shows you how to transform your living space without breaking the bank Discover the secrets to stunning home improvements using your own hands and creativity This comprehensive guide empowers you with practical skills expert advice and step by step instructions for every area of your home from simple decor updates to ambitious room makeovers Learn how to plan budget and build smartly mastering essential tools while keeping costs low Explore sustainable practices creative storage ideas and eco friendly projects that make your home beautiful functional and personal Whether you're a first time homeowner a renter seeking affordable upgrades or an experienced DIYer ready for your next challenge Budget Friendly DIY Home is your complete roadmap to crafting a space you'll love one project at a time

Black & Decker Complete Guide to Wiring, 6th Edition Editors of Cool Springs Press, 2014-05-15 DIV The best DIY wiring book on the market six times over divDIV divDIV Black wire cable and conduits boxes and panels switches and receptacles to foolproof circuit maps for 30 common wiring set ups and step by step walkthroughs of every essential home wiring and electrical repair project this book teaches you everything you need to know Now in its sixth edition it has most importantly been updated to comply with 2014 2017 National Electric Codes but in addition nearly 1 000 accompanying photos offer up to date depictions of modern materials and fixtures Complete with the most current wiring information available today and presented in our long renowned fully illustrated how to format Black Decker The Complete Guide to Wiring 6th Edition guarantees you'll never be caught in the dark div

Basics of Electrical Engineering Pavel Bartoš, Václav Fiala, Radek Mařík, 2025-05-01 In this book we will cover the fundamental principles of electrical engineering The field that is fundamental to understanding the operation and design of electrical and electronic devices Electrical engineering is a field that is constantly evolving and has a huge impact on all aspects of modern life from basic domestic wiring to complex industrial systems and telecommunications One of the critical concepts to understand is electric charge It is a fundamental property of particles such as electrons and protons and it is electric charge that allows electric current to flow through a conductor

Manual Training Magazine Charles Alpheus Bennett, 1919 *Practical Electrical Engineering, Direct Currents* Harry George Cisin, 1922

Immerse yourself in heartwarming tales of love and emotion with Crafted by is touching creation, Experience Loveis Journey in **Simple Home Wiring Circuits** . This emotionally charged ebook, available for download in a PDF format (PDF Size: *), is a celebration of love in all its forms. Download now and let the warmth of these stories envelop your heart.

https://about.livewellcolorado.org/public/publication/Documents/wangness_solutions_manual.pdf

Table of Contents Simple Home Wiring Circuits

1. Understanding the eBook Simple Home Wiring Circuits
 - The Rise of Digital Reading Simple Home Wiring Circuits
 - Advantages of eBooks Over Traditional Books
2. Identifying Simple Home Wiring Circuits
 - Exploring Different Genres
 - Considering Fiction vs. Non-Fiction
 - Determining Your Reading Goals
3. Choosing the Right eBook Platform
 - Popular eBook Platforms
 - Features to Look for in an Simple Home Wiring Circuits
 - User-Friendly Interface
4. Exploring eBook Recommendations from Simple Home Wiring Circuits
 - Personalized Recommendations
 - Simple Home Wiring Circuits User Reviews and Ratings
 - Simple Home Wiring Circuits and Bestseller Lists
5. Accessing Simple Home Wiring Circuits Free and Paid eBooks
 - Simple Home Wiring Circuits Public Domain eBooks
 - Simple Home Wiring Circuits eBook Subscription Services
 - Simple Home Wiring Circuits Budget-Friendly Options
6. Navigating Simple Home Wiring Circuits eBook Formats

- ePub, PDF, MOBI, and More
 - Simple Home Wiring Circuits Compatibility with Devices
 - Simple Home Wiring Circuits Enhanced eBook Features
7. Enhancing Your Reading Experience
 - Adjustable Fonts and Text Sizes of Simple Home Wiring Circuits
 - Highlighting and Note-Taking Simple Home Wiring Circuits
 - Interactive Elements Simple Home Wiring Circuits
 8. Staying Engaged with Simple Home Wiring Circuits
 - Joining Online Reading Communities
 - Participating in Virtual Book Clubs
 - Following Authors and Publishers Simple Home Wiring Circuits
 9. Balancing eBooks and Physical Books Simple Home Wiring Circuits
 - Benefits of a Digital Library
 - Creating a Diverse Reading Collection Simple Home Wiring Circuits
 10. Overcoming Reading Challenges
 - Dealing with Digital Eye Strain
 - Minimizing Distractions
 - Managing Screen Time
 11. Cultivating a Reading Routine Simple Home Wiring Circuits
 - Setting Reading Goals Simple Home Wiring Circuits
 - Carving Out Dedicated Reading Time
 12. Sourcing Reliable Information of Simple Home Wiring Circuits
 - Fact-Checking eBook Content of Simple Home Wiring Circuits
 - Distinguishing Credible Sources
 13. Promoting Lifelong Learning
 - Utilizing eBooks for Skill Development
 - Exploring Educational eBooks
 14. Embracing eBook Trends
 - Integration of Multimedia Elements
 - Interactive and Gamified eBooks

Simple Home Wiring Circuits Introduction

In the digital age, access to information has become easier than ever before. The ability to download Simple Home Wiring Circuits has revolutionized the way we consume written content. Whether you are a student looking for course material, an avid reader searching for your next favorite book, or a professional seeking research papers, the option to download Simple Home Wiring Circuits has opened up a world of possibilities. Downloading Simple Home Wiring Circuits provides numerous advantages over physical copies of books and documents. Firstly, it is incredibly convenient. Gone are the days of carrying around heavy textbooks or bulky folders filled with papers. With the click of a button, you can gain immediate access to valuable resources on any device. This convenience allows for efficient studying, researching, and reading on the go. Moreover, the cost-effective nature of downloading Simple Home Wiring Circuits has democratized knowledge. Traditional books and academic journals can be expensive, making it difficult for individuals with limited financial resources to access information. By offering free PDF downloads, publishers and authors are enabling a wider audience to benefit from their work. This inclusivity promotes equal opportunities for learning and personal growth. There are numerous websites and platforms where individuals can download Simple Home Wiring Circuits. These websites range from academic databases offering research papers and journals to online libraries with an expansive collection of books from various genres. Many authors and publishers also upload their work to specific websites, granting readers access to their content without any charge. These platforms not only provide access to existing literature but also serve as an excellent platform for undiscovered authors to share their work with the world. However, it is essential to be cautious while downloading Simple Home Wiring Circuits. Some websites may offer pirated or illegally obtained copies of copyrighted material. Engaging in such activities not only violates copyright laws but also undermines the efforts of authors, publishers, and researchers. To ensure ethical downloading, it is advisable to utilize reputable websites that prioritize the legal distribution of content. When downloading Simple Home Wiring Circuits, users should also consider the potential security risks associated with online platforms. Malicious actors may exploit vulnerabilities in unprotected websites to distribute malware or steal personal information. To protect themselves, individuals should ensure their devices have reliable antivirus software installed and validate the legitimacy of the websites they are downloading from. In conclusion, the ability to download Simple Home Wiring Circuits has transformed the way we access information. With the convenience, cost-effectiveness, and accessibility it offers, free PDF downloads have become a popular choice for students, researchers, and book lovers worldwide. However, it is crucial to engage in ethical downloading practices and prioritize personal security when utilizing online platforms. By doing so, individuals can make the most of the vast array of free PDF resources available and embark on a journey of continuous learning and intellectual growth.

FAQs About Simple Home Wiring Circuits Books

How do I know which eBook platform is the best for me? Finding the best eBook platform depends on your reading preferences and device compatibility. Research different platforms, read user reviews, and explore their features before making a choice. Are free eBooks of good quality? Yes, many reputable platforms offer high-quality free eBooks, including classics and public domain works. However, make sure to verify the source to ensure the eBook credibility. Can I read eBooks without an eReader? Absolutely! Most eBook platforms offer webbased readers or mobile apps that allow you to read eBooks on your computer, tablet, or smartphone. How do I avoid digital eye strain while reading eBooks? To prevent digital eye strain, take regular breaks, adjust the font size and background color, and ensure proper lighting while reading eBooks. What the advantage of interactive eBooks? Interactive eBooks incorporate multimedia elements, quizzes, and activities, enhancing the reader engagement and providing a more immersive learning experience. Simple Home Wiring Circuits is one of the best book in our library for free trial. We provide copy of Simple Home Wiring Circuits in digital format, so the resources that you find are reliable. There are also many Ebooks of related with Simple Home Wiring Circuits. Where to download Simple Home Wiring Circuits online for free? Are you looking for Simple Home Wiring Circuits PDF? This is definitely going to save you time and cash in something you should think about. If you trying to find then search around for online. Without a doubt there are numerous these available and many of them have the freedom. However without doubt you receive whatever you purchase. An alternate way to get ideas is always to check another Simple Home Wiring Circuits. This method for see exactly what may be included and adopt these ideas to your book. This site will almost certainly help you save time and effort, money and stress. If you are looking for free books then you really should consider finding to assist you try this. Several of Simple Home Wiring Circuits are for sale to free while some are payable. If you arent sure if the books you would like to download works with for usage along with your computer, it is possible to download free trials. The free guides make it easy for someone to free access online library for download books to your device. You can get free download on free trial for lots of books categories. Our library is the biggest of these that have literally hundreds of thousands of different products categories represented. You will also see that there are specific sites catered to different product types or categories, brands or niches related with Simple Home Wiring Circuits. So depending on what exactly you are searching, you will be able to choose e books to suit your own need. Need to access completely for Campbell Biology Seventh Edition book? Access Ebook without any digging. And by having access to our ebook online or by storing it on your computer, you have convenient answers with Simple Home Wiring Circuits To get started finding Simple Home Wiring Circuits, you are right to find our website which has a comprehensive collection of books online. Our library is the biggest of these that have literally hundreds of thousands of different products represented. You will also see that there are specific sites catered to different categories or niches related with Simple Home Wiring Circuits So depending on what exactly you are searching, you will be

able to choose ebook to suit your own need. Thank you for reading Simple Home Wiring Circuits. Maybe you have knowledge that, people have search numerous times for their favorite readings like this Simple Home Wiring Circuits, but end up in harmful downloads. Rather than reading a good book with a cup of coffee in the afternoon, instead they juggled with some harmful bugs inside their laptop. Simple Home Wiring Circuits is available in our book collection an online access to it is set as public so you can download it instantly. Our digital library spans in multiple locations, allowing you to get the most less latency time to download any of our books like this one. Merely said, Simple Home Wiring Circuits is universally compatible with any devices to read.

Find Simple Home Wiring Circuits :

~~wangsness solutions manual~~

wb board english paragraph suggestions for 2015 hs

way station clifford d simak

watch me break you run this town book english edition

warhammer fantasy roleplay the creature guide

walton s stationery catalogue

wced exam papers 2012

warum ich keine kinder zeugte

wasurennbono itachi fururu de kururu japanese edition

water operator certification study guide sixth edition

waves sound and light unit test answers

wascomat we16 manual

water efficiency manual p2ric

wb board exam class 11 question physics

wastewater collections grade 2 practice test

Simple Home Wiring Circuits :

2011 volkswagen golf owners manual in pdf - Mar 10 2023

web the complete 6 booklet user manual for the 2011 volkswagen golf in a downloadable pdf format includes maintenance schedule warranty info tips and advice and much more for your vw

2010 11 golf tdi service manual tdi club forums - Jun 01 2022

web aug 29 2013 there is no separate version for the tdi every golf jetta beetle comes with the same owner s manuals however these are not service manuals this thread is about service manuals for newer vws owner s manuals come with the car but service manuals must be purchased if they are available at all

volkswagen owners manuals official vw digital resources - Jan 08 2023

web we ve made it easy to access your owner s and radio navigation manuals online for model year 2012 and newer volkswagen vehicles you can view your manuals by entering the 17 digit vehicle identification number vin in

2011 volkswagen golf gti owner s manual - Mar 30 2022

web download the 2011 volkswagen golf gti owner s manual pdf free of charge view the manual online print or download it to keep on your computer

volkswagen golf repair service manuals 306 pdf s - Jul 02 2022

web updated june 23 we have 306 volkswagen golf manuals covering a total of 44 years of production in the table below you can see 13 golf workshop manuals 0 golf owners manuals and 58 miscellaneous volkswagen golf downloads our most popular manual is the volkswagen golf workshop manual 2006 2007

online volkswagen workshop manuals tdi club forums - Sep 04 2022

web jul 25 2018 a lot of workshop repair manuals for volkswagen s car you can find and free download here carmanualshub com category automotive manuals volkswagen or here

volkswagen golf 2011 owner s manual 138 pages car manuals - May 12 2023

web view print and download for free volkswagen golf 2011 owner s manual 138 pages pdf size 49 24 mb search in volkswagen golf 2011 owner s manual online carmanualsonline info is the largest online database of car user manuals volkswagen golf 2011 owner s manual pdf download

volkswagen golf owner s manual manual directory - Jun 13 2023

web volkswagen golf you can find 50 different owner s manuals for the volkswagen golf on this page that are in the pdf format looking for mechanical information an owner s manual is usually packed with guides on how to operate the car safely and how to

maximize your vw golf tdi 2011 experience with the official owners - Feb 26 2022

web jul 20 2023 the vw golf tdi 2011 owners manual is a comprehensive guidebook that explains everything about the car including its features specifications and safety aspects the manual is divided into various sections that cover different aspects of the car such as operating instructions driving tips maintenance and troubleshooting

owner s manuals volkswagen uk - Dec 07 2022

web our helpful tool helps you find the right owner s manual for your car quickly and easily simply enter your vehicle identification number vin and we ll take care of the rest

unlock your golf tdi s potential with the 2011 owner s manual - Jan 28 2022

web jun 12 2023 the golf tdi owners manual 2011 is designed for the volkswagen golf tdi owners it is an essential manual for every golf tdi owner as it provides valuable information about the car the manual is especially useful for new car owners who are not familiar with the car s features and controls

2011 volkswagen golf owner s manual in pdf - Jul 14 2023

web the vehicle comes with the most powerful at the time of the model release 2 0 liter tdi diesel engine in the range with 200 hp and 400 nm of torque whose feature is a dual adblue injection system to reduce harmful emissions of nitrogen oxides nox the engine is paired with a seven speed dsg robot with two clutches

volkswagen golf instruction manual pdf download manualslib - Nov 06 2022

web view and download volkswagen golf instruction manual online with carburetor engine fuel injection engine diesel engine golf automobile pdf manual download

2011 golf tdi owner s manual pdf tdi club forums - Feb 09 2023

web jan 14 2016 nasa they have an owner s manual pdf for the 2011 golf at dubmanuals com but not sure if it covers the tdi *all all vw owners manuals owner s manuals download* - Oct 05 2022

web popular owner s manuals vw golf 8 gti owner s manual volkswagen golf 8 gte owner s manual 2022 volkswagen golf owner s manual 2022 volkswagen id 4 owner s manual 2022 volkswagen passat owner s manual 2022 volkswagen tiguan owner s manual 2017 volkswagen touareg owner s manual 2022 volkswagen

get your 2011 vw golf tdi owners manual now the ultimate - Apr 30 2022

web jul 8 2023 the 2011 vw golf tdi owners manual is a must have for any owner of this car model it provides detailed information on how to operate the car how to maintain it and how to troubleshoot any problems that may arise

2011 volkswagen golf tdi repair manual instant access - Dec 27 2021

web 2011 volkswagen golf tdi repair manual instant access 16 99 subscription period add to cart your selected volkswagen workshop manual will cover detailed job instructions mechanical and electrical faults technical modifications wiring diagrams service guides technical bulletins and more the workshop manual is the same as used

owner s manual and literature volkswagen owners vw - Aug 03 2022

web we ve made it easy to access the information you need by combining your owner s radio and navigation manuals in one place if you have a 2012 or newer volkswagen vehicle you can view the corresponding manuals by entering a valid 17 digit vehicle identification number vin in the search bar below routan not included

volkswagen golf owners manual 2011 pdf car owners manuals - Apr 11 2023

web volkswagen golf owners manual 2011 instructions repair guide maintenance and service manual in pdf

2011 volkswagen golf owner s manual pdf manual directory - Aug 15 2023

web download the 2011 volkswagen golf owner s manual pdf free of charge view the manual online print or download it to keep on your computer

15 awe inspiring hindu gods and goddesses realm of - May 24 2022

web sep 18 2018 surya the literal sanskrit term for the sun is the major solar deity among the hindu gods and goddesses also known by synonymous epithets like aditya ravi and bhaskara the sun god is revered as the sustainer of life prakriti in the vedic literature dating from circa 1500 1000 bc interestingly enough in spite of being one of the older

hindu mythology of gods sages cowherd maidens docslib - Sep 08 2023

web hindu mythology of gods sages cowherd maidens jonathan b edelmann ph d philosophy religion department 53 morgan ave 662 325 2382 office hours 11 12 am t h email protected

hindu mythology of gods sages cowherd maidens copy - Jul 06 2023

web hindu mythology of gods sages cowherd maidens interpretations of the bhagavad gita and images of the hindu tradition livestock and livelihoods the indian context

hindu gods and goddesses list and stories mythology net - Aug 27 2022

web dec 14 2016 today hinduism has three major traditions whose followers each have their own supreme deity shiva vishnu or shakti the other gods deva and goddesses devi are incarnations of the three supreme deities in vedic literature the oldest of the hindu scriptures the devas and devis represent forces of nature creativity morals supreme

how many god and goddess are there in hindu religion - Apr 22 2022

web according to the rig veda there are 3 gods agni on earth vayu in the air and surya in the sky however the rig veda increases this number to thirty three 33 of which 11 are said to be on earth 11 in mid air and 11 in heaven so it goes beyond doubt that there are 33 gods in the hindu religion the vedas themselves are the

hindu mythology of gods sages cowherd maidens heather - Mar 22 2022

web kindly say the hindu mythology of gods sages cowherd maidens is universally compatible with any devices to read hindu mythology vedic and puranic william joseph wilkins 1882 hindu mythology can easily become a bewildering subject there are a vast number of gods demigods and supernatural beings some writers refer to as many as

hindu mythology wikipedia - Dec 31 2022

web hindu mythology is the body of myths attributed to and espoused by the adherents of the hindu religion found in sanskrit texts such as the vedic literature 1 epics like mahabharata and ramayana 2 the puranas 3 and mythological stories specific to

a particular ethnolinguistic group like the tamil periya puranam and divya prabandham

hindu mythology ofgods sages cowherd maidens pdf - Apr 03 2023

web 2 hindu mythology ofgods sages cowherd maidens 2021 12 24 an engrossing and definitive narrative account of history and myth that offers a new way of understanding one of the world s oldest major religions

hindu mythology ofgods sages cowherd maidens download - Oct 29 2022

web handbook of hindu mythology offers an informative introduction to this dauntingly complex mythology of multifaceted deities lengthy heroic tales and arcane philosophies all with a 3 000 year history of reinterpretations and adaptations

hindu mythology ofgods sages cowherd maidens - Oct 09 2023

web oct 17 2023 hindu mythology ofgods sages cowherd maidens xuanzang sally wriggins 2020 06 11 the saga of the seventh century chinese monk xuanzang who completed an epic sixteen year journey to discover the heart of buddhism at its source in india is a splendid story of human struggle and triumph one of china s great heroes

important hindu gods and goddesses wikireligions - Jun 24 2022

web 1 lord ganesha lord ganesha is considered to be one of the most important hindu god in indian mythology he is the son of lord shiva and goddess parvati ganesha hindu gods and goddesses he is depicted in the form of an elephant who is potbellied and is a symbol of knowledge wealth and success

hindu mythology ofgods sages cowherd maidens wrbb neu - Sep 27 2022

web this hindu mythology ofgods sages cowherd maidens as one of the most functional sellers here will unconditionally be in the middle of the best options to review hindu mythology ofgods sages cowherd maidens 2021 04 16 angelica mathews splitting the difference routledge hindu and greek mythologies teem with stories of women

hindu mythology ofgods sages cowherd maidens download - Nov 29 2022

web 2 hindu mythology ofgods sages cowherd maidens 2023 04 28 religion and spirituality to the mankind hindu spirituality oxford university press usa classical hindu mythologymotilal banarsidass introducing hinduism motilal banarsidass the history of the hindu tradition is

hindu mythology ofgods sages cowherd maidens pdf dna - Feb 01 2023

web oct 30 2023 2 hindu mythology ofgods sages cowherd maidens 2022 11 12 millions of human beings for centuries hindu mythology vedic and purānic partha sinha the history of the hindu tradition is captured by kalus k klostermaier in this new survey of a rich and ancient religion this study moves swiftly but thoroughly through the ages from

hindu mythology ofgods sages cowherd maidens full pdf - Mar 02 2023

web 2 hindu mythology ofgods sages cowherd maidens 2023 02 23 depth look at the religions of the world from christianity to sufism from buddhism to sikhism ram ramakrishnan examines the ideas that shape our views on life in the hopes that by

understanding one another we can find common ground

hindu mythology of gods sages cowherd maidens copy - Jul 26 2022

web hindu mythology of gods sages cowherd maidens 3 3 stanislaus augustus poniatowski painted in gouache on handmade paper before the middle of the eighteenth century somewhere in the present state of andhra the paintings cover the major hindu pantheon and some of the local divinities often

hindu mythology of gods sages cowherd maidens pdf - Aug 07 2023

web hindu mythology of gods sages cowherd maidens god among sages feb 04 2021 was jesus just a spiritual leader like buddha krishna confucius and muhammad hinduism is the religion and a way of life in this multi award winning book to life the mythical tales in speaking to the gods there are many who seek a knowledge which

hindu mythology of gods sages cowherd maidens pdf uniport edu - Jun 05 2023

web oct 1 2023 hindu mythology of gods sages cowherd maidens 1 7 downloaded from uniport edu ng on october 1 2023 by guest hindu mythology of gods sages cowherd maidens as recognized adventure as with ease as experience nearly lesson amusement as capably as pact can be gotten by just checking out a ebook hindu mythology

hindu mythology of gods sages cowherd maidens - Feb 18 2022

web cowherd krishna who joins his beloved maidens in an enchanting and celebratory dance of divine love schweig introduces this work of exquisite poetry and profound theology to the western world in the form of a luminous translation and erudite scholarly treatment his book explores the historical context and literary genre of the work and

hindu mythology of gods sages cowherd maidens 2023 - May 04 2023

web hindu mythology of gods sages cowherd maidens 3 3 state of andhra the paintings cover the major hindu pantheon and some of the local divinities often breaking into narrative sequences ms maria jakimowicz shah indologist and art historian reproduces almost all of these paintings about a quarter

voices from chernobyl the oral history of a nuclear disaster - Nov 17 2021

web apr 18 2006 on april 26 1986 the worst nuclear reactor accident in history occurred in chernobyl and contaminated as much as three quarters of europe voices from chernobyl is the first book to present personal accounts of the tragedy journalist svetlana alexievich interviewed hundreds of people affected by the meltdown from innocent

the true toll of the chernobyl disaster bbc future - Jun 24 2022

web jul 25 2019 fifty miles away was the chernobyl nuclear power plant on 26 april 1986 reactor number four at the power plant suffered a catastrophic explosion that exposed the core and threw clouds of

frequently asked chernobyl questions iaea - Nov 29 2022

web on april 26 1986 the number four rbmk reactor at the nuclear power plant at chernobyl ukraine went out of control

during a test at low power leading to an explosion and fire that demolished the reactor building and released large amounts of radiation into the atmosphere safety measures were ignored the uranium fuel in the reactor overheated

chernobyl disaster causes effects deaths videos location - Oct 09 2023

web oct 9 2023 chernobyl disaster accident at the chernobyl nuclear power station in the soviet union in 1986 the worst disaster in nuclear power generation history between 2 and 50 people were killed in the initial explosions and dozens more contracted serious radiation sickness some of whom later died

what happened at chernobyl and how many people died - Oct 17 2021

web feb 23 2022 the nuclear catastrophe in chernobyl claimed 31 lives as well as leaving thousands of people and animals exposed to potentially fatal radiation here s all the grim details about the world s worst nuclear disaster during the 1980s the explosion at the chernobyl plant is thought to be the world s worst nuclear disaster credit getty

ukraine war latest ukraine owns up to deadly car bombing - Apr 10 2021

web nov 8 2023 the eu s executive has formally recommended membership talks with ukraine start once it fulfils outstanding conditions to join the bloc listen to a sky news daily podcast on the war while you scroll

brown unpacks the consequences of the chernobyl disaster - May 12 2021

web oct 27 2023 the chernobyl disaster triggered far reaching social political and economic ramifications that shaped today s world according to kate brown a professor of science technology and society at the massachusetts institute of technology the chernobyl disaster was the accidental explosion of a nuclear reactor at the

what happened in the chernobyl disaster britannica - Oct 29 2022

web the chernobyl disaster occurred when technicians at nuclear reactor unit 4 attempted a poorly designed experiment they shut down the reactor s power regulating system and its emergency safety systems and they removed control rods from its core while allowing the reactor to run at 7 percent power

radiation the chernobyl accident world health organization - Sep 27 2022

web apr 23 2011 newsroom questions and answers radiation the chernobyl accident 23 april 2011 q a what happened what were the main radionuclides to which people were exposed what levels of exposure did people experience what were the impacts on health from chernobyl what is the current health risk to people residing in contaminated areas

chernobyl disaster wikipedia - Sep 08 2023

web the chernobyl disaster began on 26 april 1986 with the explosion of the no 4 reactor of the chernobyl nuclear power plant near the city of pripyat in the north of the ukrainian ssr close to the border with the byelorussian ssr in the soviet union deaths due to the chernobyl disaster wikipedia - Feb 18 2022

web the chernobyl disaster considered the worst nuclear disaster in history occurred on 26 april 1986 at the chernobyl

nuclear power plant in the ukrainian soviet socialist republic then part of the soviet union now in ukraine from 1986 onward the total death toll of the disaster has lacked consensus as peer reviewed medical journal the lancet and other

chernobyl timeline how a nuclear accident escalated to a historic disaster - May 24 2022

web apr 15 2019 considered history s worst nuclear accident the chernobyl disaster on april 26 1986 killed 31 people directly many due to radiation poisoning during the cleanup the area around the plant

chernobyl accident and its consequences nuclear energy - Jul 26 2022

web fact sheet safety may 2019 key facts the 1986 accident at the chernobyl nuclear power plant in ukraine then part of the former soviet union is the only accident in the history of commercial nuclear power to cause fatalities from radiation it was the product of a severely flawed soviet era reactor design combined with human error

chernobyl the world s worst nuclear disaster live science - Aug 27 2022

web apr 18 2023 in the early morning hours of april 26 1986 the chernobyl nuclear power plant in ukraine formerly part of the soviet union exploded creating what many consider the worst nuclear

[the hind g1 nuclear scout helicopter has joined ukraine s war](#) - Aug 15 2021

web 2 days ago it s one of just a handful of public images of a hind g1 since the type made its operational debut as part of the soviet response to the nuclear disaster in chernobyl in northern ukraine in 1986

30 haunting chernobyl pictures still discussed decades later - Sep 15 2021

web oct 27 2023 reactor no 4 at the chernobyl nuclear power plant was the specific reactor involved in the catastrophic disaster that unfolded on april 26 1986 it was an rbmk 1000 reactor one of four reactors

chornobyl nuclear disaster environment the guardian - Apr 22 2022

web aug 27 2022 the guardian picture essay thirty five years on from the nuclear disaster at chernobyl and despite the continued danger of radiation ukrainians displaced by the conflict in donbas have come to

[chernobyl disaster response fallout history](#) - Jul 06 2023

web apr 24 2018 considered history s worst nuclear accident the chernobyl disaster on april 26 1986 killed 31 people directly many due to radiation poisoning during the cleanup the area around the

the chernobyl disaster what happened and the long term impact - Apr 03 2023

web may 20 2019 on april 25 and 26 1986 the worst nuclear accident in history unfolded in what is now northern ukraine as a reactor at a nuclear power plant exploded and burned shrouded in secrecy the incident was a watershed moment in both the cold war and the history of nuclear power

chernobyl chernobyl accident chernobyl disaster world nuclear - May 04 2023

web the april 1986 disaster at the chernobyl a nuclear power plant in ukraine was the product of a flawed soviet reactor

design coupled with serious mistakes made by the plant operators b it was a direct consequence of cold war isolation

the 1986 chornobyl nuclear power plant accident iaea - Aug 07 2023

web jun 13 2013 subscribe on 26 april 1986 the number four reactor at the chornobyl nuclear power plant in what then was the soviet union during improper testing at low power resulted in loss of control that led to an explosion and fire that demolished the reactor building and released large amounts of radiation into the atmosphere

chernobyl disaster nuclear power gone wrong britannica - Feb 01 2023

web timeline chernobyl disaster accident in 1986 at the chernobyl nuclear power station in the soviet union the worst disaster in the history of nuclear power generation

chernobyl accident summary britannica - Dec 31 2022

web chernobyl accident accident at the chernobyl ukraine nuclear power station in the soviet union the worst disaster in the history of nuclear power generation

chernobyl wikipedia - Mar 02 2023

web chernobyl was chosen as the site of ukraine s first nuclear power plant in 1972 located 15 kilometres 9 mi north of the city which opened in 1977 chernobyl was evacuated on 5 may 1986 nine days after a catastrophic nuclear disaster at the plant which was the largest nuclear disaster in history

chernobyl survivors reflect on nuclear accident russian - Jan 20 2022

web apr 26 2023 evgeny yashin was a 40 year old chemist at the chernobyl plant when the nuclear power reactor accident unfolded in april 1986 resulting in massive evacuations the deaths of 31 people and long term illness for thousands of others everyone was talking about the explosion of the reactor s emergency cooling system he told un news

effects of the chernobyl disaster wikipedia - Dec 19 2021

web the estimated number of deaths from the chernobyl nuclear disaster a map showing caesium 137 contamination in the chornobyl area in 1996 the 1986 chernobyl disaster triggered the release of radioactive contamination into the atmosphere in the form of both particulate and gaseous radioisotopes as of 2022 it was the world s largest known

chernobyl disaster facts and information national geographic - Jun 05 2023

web may 17 2019 on april 25 and 26 1986 the worst nuclear accident in history unfolded in what is now northern ukraine as a reactor at a nuclear power plant exploded and burned shrouded in secrecy the

why are wild pigs in germany so radioactive discover - Jun 12 2021

web nov 7 2023 and in 1986 one particular nuclear reactor emitted a whole bunch of cesium 137 into the atmosphere the cause of radioactive isotopes in wild boars that reactor chernobyl the ukrainian nuclear power plant that suffered an explosion and partial meltdown of its core resulting in the worst nuclear disaster in history thanks to

5 myths about the chernobyl nuclear disaster dw 04 25 2021 - Mar 22 2022

web tetyana klug 04 25 2021 monday marks the 35th anniversary of the chernobyl nuclear disaster what happened in the former soviet union on april 26 1986 is no longer a secret the chernobyl

fukushima photographer nakasuji jun on the lessons of the nuclear disaster - Jul 14 2021

web nov 9 2023 lifestyle nakasuji jun a photographer who has documented the disaster sites around ukraine s chernobyl and the fukushima daiichi nuclear power station has helped to launch a museum to tell