

## 2008 ENGINE

Engine Mechanical - 4.8L, 5.3L, & 6.0L - Avalanche, Escalade, Suburban, Tahoe & Yukon (1 Of 4)

## DRIVE BELT REPLACEMENT - ACCESSORY

## REMOVAL PROCEDURE

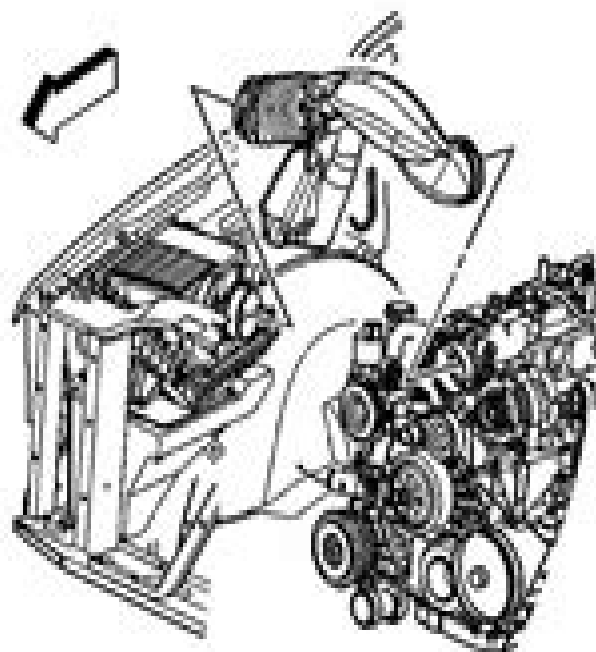


Fig. 1: View Of Air Cleaner Outlet Duct  
Courtesy of GENERAL MOTORS CORP.

1. Loosen the air cleaner outlet duct clamps at the following locations:
  - The throttle body
  - The mass airflow/intake air temperature (MAF/IAT) sensor

2. Disconnect the radiator inlet hose clip from the outlet duct.
3. Remove the air cleaner outlet duct.

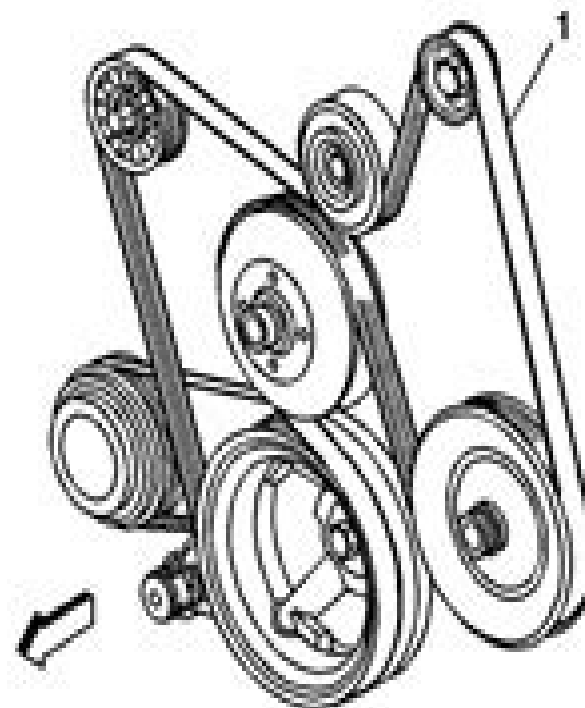


Fig. 2: View Of Drive Belt (4.8L, 5.3L, and 6.0L Engines)  
Courtesy of GENERAL MOTORS CORP.

4. Install a breaker bar with hex-head socket to the drive belt tensioner bolt.
5. Rotate the drive belt tensioner clockwise in order to relieve tension on the belt (1).
6. Remove the belt (1) from the pulleys and the drive belt tensioner.
7. Slowly release the tension on the drive belt tensioner.
8. Remove the breaker bar and socket and from the drive belt tensioner bolt.

# Tahoe 2002 Manual

**Lei Shi**



**Tahoe 2002 Manual:**

Recognizing the showing off ways to acquire this ebook **Tahoe 2002 Manual** is additionally useful. You have remained in right site to begin getting this info. acquire the Tahoe 2002 Manual associate that we find the money for here and check out the link.

You could buy lead Tahoe 2002 Manual or acquire it as soon as feasible. You could quickly download this Tahoe 2002 Manual after getting deal. So, taking into consideration you require the book swiftly, you can straight get it. Its for that reason definitely simple and consequently fats, isnt it? You have to favor to in this declare

<https://about.livewellcolorado.org/data/book-search/Documents/Suzuki%20140hp%20%20Stroke%20Outboard%20Manual.pdf>

## **Table of Contents Tahoe 2002 Manual**

1. Understanding the eBook Tahoe 2002 Manual
  - The Rise of Digital Reading Tahoe 2002 Manual
  - Advantages of eBooks Over Traditional Books
2. Identifying Tahoe 2002 Manual
  - Exploring Different Genres
  - Considering Fiction vs. Non-Fiction
  - Determining Your Reading Goals
3. Choosing the Right eBook Platform
  - Popular eBook Platforms
  - Features to Look for in an Tahoe 2002 Manual
  - User-Friendly Interface
4. Exploring eBook Recommendations from Tahoe 2002 Manual
  - Personalized Recommendations
  - Tahoe 2002 Manual User Reviews and Ratings
  - Tahoe 2002 Manual and Bestseller Lists

5. Accessing Tahoe 2002 Manual Free and Paid eBooks
  - Tahoe 2002 Manual Public Domain eBooks
  - Tahoe 2002 Manual eBook Subscription Services
  - Tahoe 2002 Manual Budget-Friendly Options
6. Navigating Tahoe 2002 Manual eBook Formats
  - ePub, PDF, MOBI, and More
  - Tahoe 2002 Manual Compatibility with Devices
  - Tahoe 2002 Manual Enhanced eBook Features
7. Enhancing Your Reading Experience
  - Adjustable Fonts and Text Sizes of Tahoe 2002 Manual
  - Highlighting and Note-Taking Tahoe 2002 Manual
  - Interactive Elements Tahoe 2002 Manual
8. Staying Engaged with Tahoe 2002 Manual
  - Joining Online Reading Communities
  - Participating in Virtual Book Clubs
  - Following Authors and Publishers Tahoe 2002 Manual
9. Balancing eBooks and Physical Books Tahoe 2002 Manual
  - Benefits of a Digital Library
  - Creating a Diverse Reading Collection Tahoe 2002 Manual
10. Overcoming Reading Challenges
  - Dealing with Digital Eye Strain
  - Minimizing Distractions
  - Managing Screen Time
11. Cultivating a Reading Routine Tahoe 2002 Manual
  - Setting Reading Goals Tahoe 2002 Manual
  - Carving Out Dedicated Reading Time
12. Sourcing Reliable Information of Tahoe 2002 Manual
  - Fact-Checking eBook Content of Tahoe 2002 Manual
  - Distinguishing Credible Sources
13. Promoting Lifelong Learning

- Utilizing eBooks for Skill Development
  - Exploring Educational eBooks
14. Embracing eBook Trends
- Integration of Multimedia Elements
  - Interactive and Gamified eBooks

### **Tahoe 2002 Manual Introduction**

Free PDF Books and Manuals for Download: Unlocking Knowledge at Your Fingertips In today's fast-paced digital age, obtaining valuable knowledge has become easier than ever. Thanks to the internet, a vast array of books and manuals are now available for free download in PDF format. Whether you are a student, professional, or simply an avid reader, this treasure trove of downloadable resources offers a wealth of information, conveniently accessible anytime, anywhere. The advent of online libraries and platforms dedicated to sharing knowledge has revolutionized the way we consume information. No longer confined to physical libraries or bookstores, readers can now access an extensive collection of digital books and manuals with just a few clicks. These resources, available in PDF, Microsoft Word, and PowerPoint formats, cater to a wide range of interests, including literature, technology, science, history, and much more. One notable platform where you can explore and download free Tahoe 2002 Manual PDF books and manuals is the internet's largest free library. Hosted online, this catalog compiles a vast assortment of documents, making it a veritable goldmine of knowledge. With its easy-to-use website interface and customizable PDF generator, this platform offers a user-friendly experience, allowing individuals to effortlessly navigate and access the information they seek. The availability of free PDF books and manuals on this platform demonstrates its commitment to democratizing education and empowering individuals with the tools needed to succeed in their chosen fields. It allows anyone, regardless of their background or financial limitations, to expand their horizons and gain insights from experts in various disciplines. One of the most significant advantages of downloading PDF books and manuals lies in their portability. Unlike physical copies, digital books can be stored and carried on a single device, such as a tablet or smartphone, saving valuable space and weight. This convenience makes it possible for readers to have their entire library at their fingertips, whether they are commuting, traveling, or simply enjoying a lazy afternoon at home. Additionally, digital files are easily searchable, enabling readers to locate specific information within seconds. With a few keystrokes, users can search for keywords, topics, or phrases, making research and finding relevant information a breeze. This efficiency saves time and effort, streamlining the learning process and allowing individuals to focus on extracting the information they need. Furthermore, the availability of free PDF books and manuals fosters a culture of continuous learning. By removing financial barriers, more people can access educational resources and pursue lifelong learning, contributing to personal

growth and professional development. This democratization of knowledge promotes intellectual curiosity and empowers individuals to become lifelong learners, promoting progress and innovation in various fields. It is worth noting that while accessing free Tahoe 2002 Manual PDF books and manuals is convenient and cost-effective, it is vital to respect copyright laws and intellectual property rights. Platforms offering free downloads often operate within legal boundaries, ensuring that the materials they provide are either in the public domain or authorized for distribution. By adhering to copyright laws, users can enjoy the benefits of free access to knowledge while supporting the authors and publishers who make these resources available. In conclusion, the availability of Tahoe 2002 Manual free PDF books and manuals for download has revolutionized the way we access and consume knowledge. With just a few clicks, individuals can explore a vast collection of resources across different disciplines, all free of charge. This accessibility empowers individuals to become lifelong learners, contributing to personal growth, professional development, and the advancement of society as a whole. So why not unlock a world of knowledge today? Start exploring the vast sea of free PDF books and manuals waiting to be discovered right at your fingertips.

### **FAQs About Tahoe 2002 Manual Books**

1. Where can I buy Tahoe 2002 Manual books? Bookstores: Physical bookstores like Barnes & Noble, Waterstones, and independent local stores. Online Retailers: Amazon, Book Depository, and various online bookstores offer a wide range of books in physical and digital formats.
2. What are the different book formats available? Hardcover: Sturdy and durable, usually more expensive. Paperback: Cheaper, lighter, and more portable than hardcovers. E-books: Digital books available for e-readers like Kindle or software like Apple Books, Kindle, and Google Play Books.
3. How do I choose a Tahoe 2002 Manual book to read? Genres: Consider the genre you enjoy (fiction, non-fiction, mystery, sci-fi, etc.). Recommendations: Ask friends, join book clubs, or explore online reviews and recommendations. Author: If you like a particular author, you might enjoy more of their work.
4. How do I take care of Tahoe 2002 Manual books? Storage: Keep them away from direct sunlight and in a dry environment. Handling: Avoid folding pages, use bookmarks, and handle them with clean hands. Cleaning: Gently dust the covers and pages occasionally.
5. Can I borrow books without buying them? Public Libraries: Local libraries offer a wide range of books for borrowing. Book Swaps: Community book exchanges or online platforms where people exchange books.

6. How can I track my reading progress or manage my book collection? Book Tracking Apps: Goodreads, LibraryThing, and Book Catalogue are popular apps for tracking your reading progress and managing book collections. Spreadsheets: You can create your own spreadsheet to track books read, ratings, and other details.
7. What are Tahoe 2002 Manual audiobooks, and where can I find them? Audiobooks: Audio recordings of books, perfect for listening while commuting or multitasking. Platforms: Audible, LibriVox, and Google Play Books offer a wide selection of audiobooks.
8. How do I support authors or the book industry? Buy Books: Purchase books from authors or independent bookstores. Reviews: Leave reviews on platforms like Goodreads or Amazon. Promotion: Share your favorite books on social media or recommend them to friends.
9. Are there book clubs or reading communities I can join? Local Clubs: Check for local book clubs in libraries or community centers. Online Communities: Platforms like Goodreads have virtual book clubs and discussion groups.
10. Can I read Tahoe 2002 Manual books for free? Public Domain Books: Many classic books are available for free as they're in the public domain. Free E-books: Some websites offer free e-books legally, like Project Gutenberg or Open Library.

### Find Tahoe 2002 Manual :

[suzuki 140hp 2 stroke outboard manual](#)

[suzuki dt40w outboard repair manual](#)

**[suzuki bandit gsf650 manual 2007](#)**

**[suzuki 5 hp outboard](#)**

**[suzuki escudo owners manual](#)**

[suzuki adress v125g service manual](#)

[suzuki eiger 44x2 service manual](#)

[suzuki df 115 four stroke manual](#)

*[suzuki dr750 dr800 1988 1997 full service repair manual](#)*

[suunto core watch manual](#)

[suzuki dr350s dr350se service repair manual 1990 1999](#)

**[suzuki dr 250 service 1982 manual](#)**

[suzuki dl650 v strom digital workshop repair manual 04 09](#)



[suzuki 400 drz schematic](#)

**suzuki 8hp 2 stroke outboard service manual**

**Tahoe 2002 Manual :**

**platinum technology grade 7 caps lesson plans** - Sep 22 2023

web platinum technology grade 7 caps lesson plans laser teeth whitening near 78254 teeth white caps teeth whitening home recipe teeth whitening with baking soda

[platinum technology grade 7 teacher s guide epdf 1 year](#) - Apr 17 2023

web the teaching of each lesson for the year answers to all activities in the learner s book assessment guidelines photocopiable templates and resources for the teacher study

**platinum technology grade 7 caps lesson plans pdf** - Oct 11 2022

web platinum technology grade 7 caps lesson plans pdf pages 2 12 platinum technology grade 7 caps lesson plans pdf upload mita k williamson 2 12

*platinum technology grade 7 caps lesson plans pdf free* - Jun 07 2022

web r 293 00 please take note that the minimum quantity per order is 10 items need less buy this book on loot co za here add to cart description platinum technology grade 7

*platinum technology grade 7 learner s book caps* - Dec 01 2021

**platinumtechnologygrade7capslessonplans** - Feb 15 2023

web pages of platinum technology grade 7 caps lesson plans a mesmerizing literary creation penned by way of a celebrated wordsmith readers set about an enlightening

**platinum technology grade 7 caps lesson plans copy ftp bonide** - Jan 02 2022

**platinum technology grade 7 caps lesson plans 2013** - Feb 03 2022

**platinum technology grade 7 caps lesson plans pdf copy** - Jul 08 2022

web platinum technology grade 7 caps lesson plans unveiling the power of verbal beauty an emotional sojourn through platinum technology grade 7 caps lesson plans in a

*lesson plan gr 7 technology t2 w1 wced eportal* - May 18 2023

web platinum technology grade 7 caps lesson plans strategies for survival at sibikwa 1988 2021 may 11 2020 this book

provides an engaging and contextualised insight

*platinum technology gr 7 teachers* - Jan 14 2023

web platinum technology grade 7 caps lesson plans 1 platinum technology grade 7 caps lesson plans study and master

natural sciences and technology grade 6

**platinum technology grade 7 caps lesson plans download** - Apr 05 2022

web platinum technology grade 7 caps lesson plans social sciences today study and master economic and business

management grade 7 for caps learner s book

*platinum technology grade 7 teacher s guide caps* - Aug 21 2023

web platinum technology grade 7 caps lesson plans study and master economic and business management grade 7 for caps

teacher s guide oct 06 2022 oxford

*platinum technology grade 7 teacher s guide caps* - Mar 04 2022

web r 193 00 please take note that the minimum quantity per order is 10 items need less buy this book on loot co za here add

to cart description platinum technology grade 7

**platinum technology grade 7 caps lesson plans download** - Nov 12 2022

web study and master natural sciences and technology grade 6 caps teacher s guide platinum natural sciences and

technology cpo focus on physical science 23 things

platinum technology grade 7 caps lesson plans - Mar 16 2023

web platinum technology grade 7 caps lesson plans platinum instamaths dec 31 2022 oxford successful english apr 22 2022

mathematics oct 29 2022 pedagogy in

**platinum technology grade 7 caps lesson plans** - Jun 19 2023

web platinum technology grade 7 teacher s guide epdf 1 year licence superior caps coverage written for the new curriculum

by expertauthors superior illustrations and

**platinumtechnologygrade7capslessonplans download only** - May 06 2022

web platinum technology grade 7 caps lesson plans downloaded from 2013 thecontemporaryaustin org by guest burch moore

becoming a teacher

platinum technology grade 7 caps lesson plans copy - Jul 20 2023

web platinum technology grade 7 caps lesson plans teachers credit union news news june 22nd 2018 an army of more than

700 tcu team members and their families

**platinumtechnologygrade7capslessonplans pdf** - Aug 09 2022

web study master physical sciences grade 12 has been especially developed by an experienced author team for the

curriculum and assessment policy statement caps

**platinum technology grade 7 caps lesson plans download** - Sep 10 2022

web platinum technology grade 7 caps lesson plans pdf pages 2 5 platinum technology grade 7 caps lesson plans pdf upload  
mita s hayda 2 5 downloaded

download solutions platinum technology grade 7 caps lesson - Dec 13 2022

web platinum technology grade 7 caps lesson plans six tales from shakespeare technology matters grade 8 learner s book life  
skills grade 6 spot on life

**platinum technology grade 7 caps lesson plans** - Oct 23 2023

web platinum technology grade 7 caps lesson plans june 20th 2018 the following is a complete list of all publications issued  
by niosh to view publication numbers click the

*catechism resolved applied numerical methods carnanhan* - Jul 04 2023

web catechism resolved applied numerical methods carnanhan numerical methods in engineering with matlab boundary value  
problems max plus methods for nonlinear control and estimation numerical methods for two point boundary value problems  
numerical methods in engineering with python numerical analysis and graphic

**catechism resolved applied numerical methods carnanhan** - May 22 2022

web catechism resolved applied numerical methods carnanhan downloaded from aveannamedicalsolutions buyerads com by  
guest scarlet nathanael numerical methods in engineering with matlab john wiley sons this book is designed for an  
introductory course in numerical methods for students of engineering and science at

**catechism resolved applied numerical methods carnanhan** - Apr 20 2022

web applied calculus of variations for engineers machine design an integrated approach 2 e the photographic news a weekly  
record of the progress of photography ed by william crookes and by g wharton simpson journal of the royal society of arts the  
photographic news bible answers for almost all your questions a catholic dictionary of theology

*catechism resolved applied numerical methods carnanhan* - Mar 20 2022

web catechism resolved applied numerical methods carnanhan british history chronologically arranged 3 numerical solution of  
ordinary differential equations journal the photographic news the photographic news a weekly record of the progress of  
photography ed by william crookes and by g wharton simpson journal of the

**solution catechism applied numerical methods carnanhan pdf** - Jul 24 2022

web 4 solution catechism applied numerical methods carnanhan 2023 01 24 function and many new and interesting exercises  
are included this text is part of the walter rudin student series in advanced mathematics american book publishing record  
bod books on demand includes entries for maps and atlases catechism of the catholic church

[catechism resolved applied numerical methods carnahan](#) - Apr 01 2023

web catechism resolved applied numerical methods carnahan 1 catechism resolved applied numerical methods numerical solution of ordinary differential equations prentice version 6 0 dr 2 2 catechism resolved applied numerical methods carnahan 2022 11 23 shoichiro nakamura introduces the skills and knowledge needed

[pdf applied numerical methods researchgate](#) - Jun 03 2023

web pdf on jan 1 1969 brice carnahan published applied numerical methods find read and cite all the research you need on researchgate

**pdf solution catechism applied numerical methods carnahan** - Jan 30 2023

web applied numerical methods for engineers using matlab and c feb 09 2021 this book provides a comprehensive discussion of numerical computing techniques with an emphasis on practical applications in the fields of civil

**solution catechism applied numerical methods carnahan copy** - Jun 22 2022

web jun 7 2023 books behind this solution catechism applied numerical methods carnahan but end up in harmful downloads rather than enjoying a fine pdf past a cup of coffee in the afternoon then again they juggled in imitation of some harmful virus inside their computer solution catechism applied numerical methods carnahan is user

[catechism resolved applied numerical methods carnahan](#) - Nov 27 2022

web catechism resolved applied numerical methods carnahan 3 3 catechism resolved applied numerical methods carnahan downloaded from yale skysafe io by guest curtis clara introduction to numerical methods for water resources john wiley sons incorporated although most realistic process engineering models require

**catechism resolved applied numerical methods carnahan** - Feb 16 2022

web catechism resolved applied numerical methods carnahan 3 3 processing and warehousing data it then presents information about data warehouses online analytical processing olap and data cube technology then the methods involved in mining frequent patterns associations and correlations for large data sets are described the

[applied numerical methods carnahan brice free download](#) - Sep 06 2023

web analyse numérique algorithmes numerical analysis algoritmos métodos numéricos análisis numérico numerieke methoden fortran iv numerische mathematik publisher new york wiley

**solution catechism applied numerical methods carnahan** - Aug 05 2023

web solution catechism applied numerical methods carnahan applied numerical methods jan 20 2022 theory of applied robotics feb 06 2021 the second edition of this book would not have been possible without the comments and suggestions from students especially those at columbia university

[download solutions catechism resolved applied numerical methods carnahan](#) - Dec 29 2022

web catechism resolved applied numerical methods carnahana applied numerical methods for food and agricultural engineers  
mar 29 2020 written from the expertise of an agricultural engineering background this exciting new book presents the most  
useful numerical methods and their complete program listings numerical

[catechism resolved applied numerical methods carnahana](#) - Sep 25 2022

web numerical methods in engineering science an introduction to numerical methods for chemical engineers advances in the  
efficiency of computational methods and applications catechism resolved applied numerical methods carnahana downloaded  
from portal nivbook co il by guest piper mareli numerical methods in engineering with

[catechism resolved applied numerical methods carnahana](#) - Oct 07 2023

web presents the most useful numerical methods and their complete program listings applied numerical methods for  
engineers and scientists oct 08 2020 this book includes over 800 problems including open ended project type and design  
problems chapter topics include introduction to numerical methods solution of nonlinear

*solution catechism applied numerical methods carnahana pdf* - Oct 27 2022

web aug 20 2023 solution catechism applied numerical methods carnahana 2 6 downloaded from uniport edu ng on august  
20 2023 by guest gathering of biblical scholars from around the world took place on the campus of loyola marymount  
university in los angeles under the auspices of the casassa conference

**catechism resolved applied numerical methods carnahana** - Feb 28 2023

web this 2007 book written by 30 experts presents the theoretical background of acoustics and of les followed by details  
about numerical methods e g discretization schemes boundary conditions coupling aspects industrially relevant hybrid rans  
les techniques for acoustic source predictions are presented in detail

**solution catechism applied numerical methods carnahana pdf** - May 02 2023

web aug 19 2023 solution catechism applied numerical methods carnahana 2 6 downloaded from uniport edu ng on august  
19 2023 by guest edinburgh 1910 is a suggestive moment for many people seeking direction for christian mission in the  
[solution catechism applied numerical methods carnahana pdf](#) - Aug 25 2022

web aug 19 2023 solutions describes these techniques and related applications all supported by matlab programs and  
presents them in a unique format of exercises and solutions designed by the author to stimulate participation

[sociology final exam flashcards quizlet](#) - May 28 2022

web questions from the chapter quizzes that will be used on the final exam learn with flashcards games and more for free  
final exam multiple choice questions sociology 50 terms colely howard4 preview sociology final exam 50 terms  
anasofiacochran4 preview terms in this set 60

[sociology important quiz questions and answers](#) - Aug 31 2022

web mar 5 2022 here are a few important sociology quiz questions for competitive and entrance examinations according to marx the worker is a slave of his object when labour is his her source of creativity and he can use it to the maximize his potential the worker enjoys working at the factory and uses it to maximize his her potential

*model answers the sociology guy* - Feb 05 2023

web model answers for 2022 challenge are located on 2022 challenge page attempting 125 low tariff questions between march 1st may 23rd 2022 on my you tube channel i like to discuss speculative questions ahead of the exams usually focusing on

sociology and social policy past exam papers sociology pmb - Feb 22 2022

web mar 22 2022 subjects centre for communication media and society ccms criminology and forensic studies discipline education industrial organizational and labour studies iols management social work sociology and social policy aug 24 2023 3 01 pm libguides ukzn ac za sociologysocial

*sociology 101 exam 1 flashcards quizlet* - Mar 06 2023

web research that collects data from written reports newspaper articles journals transcripts television programs diaries artwork and other artifacts that date to a prior time period under study research that compares one set of findings on one society with the same type of findings on other societies

*sociology exam questions and answers studocu* - Sep 12 2023

web sociology exam questions and answers sociology exam question bank paper 1 topics education studocu document sociology exam question bank paper topics education structuralist theories class ethnicity gender policy methods in context theory and methods skip to document

exams essays and short answer questions revisesociology - Jun 28 2022

web sep 25 2023 links to posts offering specific advice on how to answer each of these papers including the 2017 and 2018 sociology exams links to dozens of exemplar answers for the five different types of question you ll

**sociology questions and answers homework study com** - Jan 04 2023

web 65 000 quizzes sociology questions and answers sociology questions and answers test your understanding with practice problems and step by step solutions browse through all study

*103 sociology quizzes questions answers trivia proprofs* - Oct 13 2023

web oct 19 2023 welcome to the sociology chapter 1 quiz questions and answers this insightful quiz comprises interesting thought provoking questions designed to test your understanding of key concepts covered in chapter 1 of sociology

*past papers questions by topic save my exams* - Dec 03 2022

web created by our team of teachers these sociology resource collections are guaranteed to cover every single topic on your

syllabus get started by getting your subject knowledge up to scratch with our sociology revision notes next test your understanding with our topic questions and model answers

[sociology chapter 1 quiz questions and answers proprofs](#) - Jun 09 2023

web sep 1 2023 this insightful quiz comprises interesting thought provoking questions designed to test your understanding of key concepts covered in chapter 1 of sociology explore the fundamentals of sociological perspectives theories and research methods as you dive into the world of human society and behavior

[sociology test chapters 1 2 3 test a manchester university](#) - May 08 2023

web short answer answer in 2 or more complete sentences 36 what is max weber s idea of verstehen how is it still a major part of sociology today 37 give an example of symbolic interactionism 38 who was martineau why was she important 39 what are the two ways to conduct field research explain these two methods 40 give an example of

[sociology 101 intro to sociology final exam study com](#) - Aug 11 2023

web sociology 101 intro to sociology final exam free practice test instructions choose your answer to the question and click continue to see how you did then click next question

**sociology flashcards test questions and answers studyhippo** - Jul 30 2022

web sociology flashcards test questions and answers discover flashcards test exam answers and assignments to help you learn more about sociology and other subjects don t miss the chance to use them for more effective college education

**objective sociology 150 questions and answers for all competitive exams** - Jul 10 2023

web list of 150 sociology objective type questions and answers this will help you to learn about sociology objective type questions and answers which is more likely to be asked in upsc ugc net ias civil services eligibility tests and other competitive examinations 1 who can be labelled as a historical sociologist a pareto

[introduction to sociology the basics chapter exam study com](#) - Nov 02 2022

web test and improve your knowledge of introduction to sociology the basics with fun multiple choice exams you can take online with study com

**sociology questions about sociology questions for sociology exam** - Mar 26 2022

web questions on society questions on religion questions on marriage and family questions on collective behavior and social movements questions on population and environment questions on political institutions questions on deviance and social control questions on social interaction study about sociology questions

**answer key chapter 1 introduction to sociology 3e openstax** - Apr 26 2022

web 11 13 15 17 as an amazon associate we earn from qualifying purchases this free textbook is an openstax resource written to increase student access to high quality peer reviewed learning materials

**sociology practice tests varsity tutors** - Oct 01 2022

web take one of our many sociology practice tests for a run through of commonly asked questions you will receive incredibly detailed scoring results at the end of your sociology practice test to help you identify your strengths and weaknesses pick one of our sociology practice tests now and begin

sociology questions and answers enotes com - Apr 07 2023

web discuss at least five of the following concepts using the video and the big three sociological approaches structural functionalism conflict theory and symbolic interactionism job