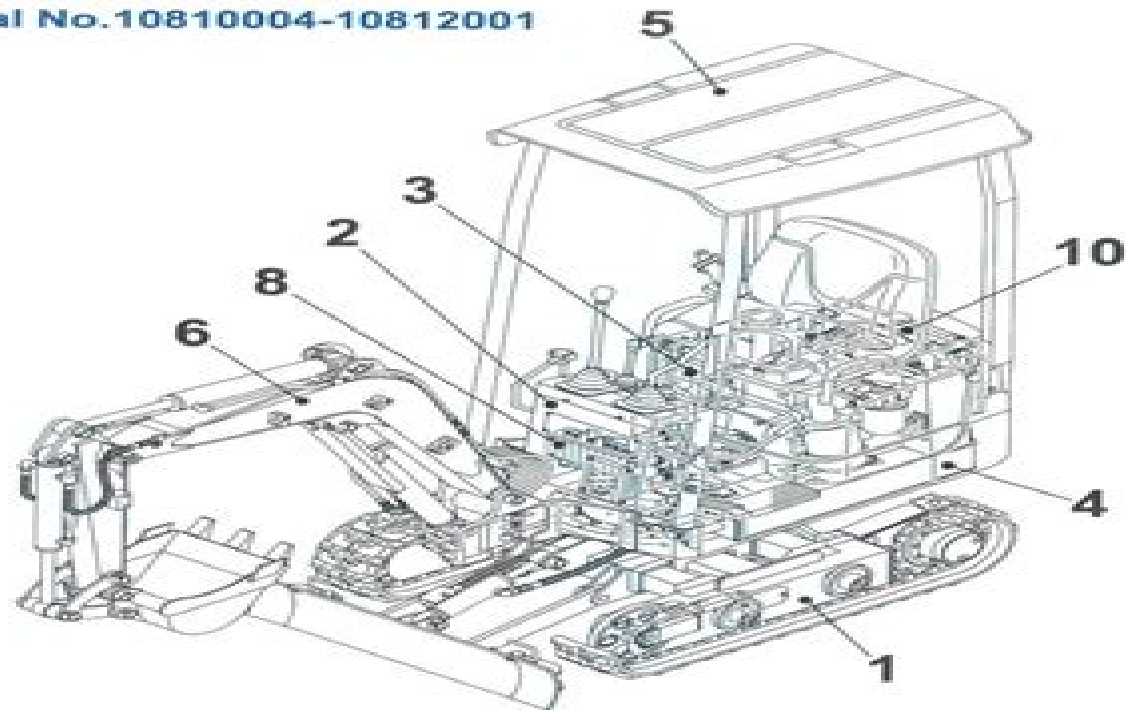


TB108

Book No. BB5Z004-1
Serial No. 10810004-10812001



TAKEUCHI

Takeuchi Tb 108 Service Manual

Roman Wölfel



Takeuchi Tb 108 Service Manual:

Current Catalog National Library of Medicine (U.S.),1972 First multi year cumulation covers six years 1965 70

Mandell, Douglas, and Bennett's Principles and Practice of Infectious Diseases E-Book John E. Bennett,Raphael Dolin,Martin J. Blaser,Gerald L. Mandell,2009-10-19 After thirty years PPID is still the reference of choice for comprehensive global guidance on diagnosing and treating the most challenging infectious diseases Drs Mandell Bennett and Dolin have substantially revised and meticulously updated this new edition to save you time and to ensure you have the latest clinical and scientific knowledge at your fingertips With new chapters expanded and updated coverage increased worldwide perspectives and many new contributors Mandell Douglas and Bennett s Principles and Practice of Infectious Diseases 7th Edition helps you identify and treat whatever infectious disease you see Consult this title on your favorite e reader conduct rapid searches and adjust font sizes for optimal readability Compatible with Kindle nook and other popular devices Get the answers to questions you have with more in depth coverage of epidemiology etiology pathology microbiology immunology and treatment of infectious agents than you ll find in any other infectious disease resource Find the latest diagnoses and treatments for currently recognized and newly emerging infectious diseases such as those caused by avian and swine influenza viruses Put the latest knowledge to work in your practice with new or completely revised chapters on influenza new pandemic strains new Middle East respiratory syndrome MERS virus probiotics antibiotics for resistant bacteria antifungal drugs new antivirals for hepatitis B and C Clostridium difficile treatment sepsis advances in HIV prevention and treatment viral gastroenteritis Lyme disease Helicobacter pylori malaria infections in immunocompromised hosts immunization new vaccines and new recommendations and microbiome Benefit from fresh perspectives and global insights from an expanded team of international contributors Find and grasp the information you need easily and rapidly with newly added chapter summaries These bulleted templates include diagnosis therapy and prevention and are designed as a quick summary of the chapter and to enhance relevancy in search and retrieval on Expert Consult Stay current on Expert Consult with a thorough and regularly scheduled update program that ensures access to new developments in the field advances in therapy and timely information Access the information you need easily and rapidly with new succinct chapter summaries that include diagnosis therapy and prevention Experience clinical scenarios with vivid clarity through a richly illustrated full color format that includes 1500 photographs for enhanced visual guidance

Mandell, Douglas, and Bennett's Principles and Practice of Infectious Diseases John E. Bennett, MD, MACP,Raphael Dolin, MD,Martin J. Blaser, MD,2014-08-28 After thirty five years Mandell Douglas and Bennett s Principles and Practice of Infectious Diseases 8th Edition is still the reference of choice for comprehensive global guidance on diagnosing and treating the most challenging infectious diseases Drs John E Bennett and Raphael Dolin along with new editorial team member Dr Martin Blaser have meticulously updated this latest edition to save you time and to ensure you have the latest clinical and scientific knowledge at your fingertips With

new chapters expanded and updated coverage increased worldwide perspectives and many new contributors Mandell Douglas and Bennett's Principles and Practice of Infectious Diseases 8th Edition helps you identify and treat whatever infectious disease you see Get the answers to questions you have with more in depth coverage of epidemiology etiology pathology microbiology immunology and treatment of infectious agents than you'll find in any other infectious disease resource Find the latest diagnoses and treatments for currently recognized and newly emerging infectious diseases such as those caused by avian and swine influenza viruses Put the latest knowledge to work in your practice with new or completely revised chapters on influenza new pandemic strains new Middle East respiratory syndrome MERS virus probiotics antibiotics for resistant bacteria antifungal drugs new antivirals for hepatitis B and C Clostridium difficile treatment sepsis advances in HIV prevention and treatment viral gastroenteritis Lyme disease Helicobacter pylori malaria infections in immunocompromised hosts immunization new vaccines and new recommendations and microbiome Benefit from fresh perspectives and global insights from an expanded team of international contributors Find and grasp the information you need easily and rapidly with newly added chapter summaries These bulleted templates include diagnosis therapy and prevention and are designed as a quick summary of the chapter and to enhance relevancy in search and retrieval on Expert Consult Stay current on Expert Consult with a thorough and regularly scheduled update program that ensures access to new developments in the field advances in therapy and timely information Access the information you need easily and rapidly with new succinct chapter summaries that include diagnosis therapy and prevention Experience clinical scenarios with vivid clarity through a richly illustrated full color format that includes 1500 photographs for enhanced visual guidance

Commerce Business Daily ,2001-02 Advanced Database Machine Architecture David K. Hsiao,1983 Verso a relational backend database machine Sabre a relational database system for a multimicroprocessor machine RDBM a dedicated multiprocessor system for database management The architecture of a relational database computer known as DBMAC An assessment of the query processing capability of DBMAC Design considerations for an information query computer A data stream database machine with large capacity Design and analysis of join operations of data base machines The architecture and operation of a large full text information retrieval system The implementation of a multibackend database system MDDBS part I an exercise in database software engineering The implementation of a multi backend database system MDDBS part II the design of a prototype MDDBS Cumulated Index Medicus ,1999 **Japanese Technical Bibliography** ,1987
Index Medicus ,2001 *AIDS Bibliography* ,1991 **Who's who in the West** ,1989 **Bibliography of Agriculture** ,1987 Alloys Index ,1987 **Proceedings of the National Academy of Sciences of the United States of America** ,2000 Bibliography on Snow, Ice and Frozen Ground, with Abstracts ,1978 Bibliography on Cold Regions Science and Technology ,1978 **Bibliography of Agriculture with Subject Index** ,1987 Workshop Manual ,1965*
Service Manual Caterpillar Tractor Company (U.S.A),1983 **Engine D 100, TD 100** ,1974 Technical Service

Manual ,

Thank you certainly much for downloading **Takeuchi Tb 108 Service Manual**. Maybe you have knowledge that, people have look numerous times for their favorite books next this Takeuchi Tb 108 Service Manual, but end taking place in harmful downloads.

Rather than enjoying a fine book considering a mug of coffee in the afternoon, otherwise they juggled subsequent to some harmful virus inside their computer. **Takeuchi Tb 108 Service Manual** is manageable in our digital library an online admission to it is set as public hence you can download it instantly. Our digital library saves in combination countries, allowing you to get the most less latency times to download any of our books following this one. Merely said, the Takeuchi Tb 108 Service Manual is universally compatible in imitation of any devices to read.

<https://about.livewellcolorado.org/About/book-search/HomePages/Triumph%20Bonneville%20Owners%20Manual.pdf>

Table of Contents Takeuchi Tb 108 Service Manual

1. Understanding the eBook Takeuchi Tb 108 Service Manual
 - The Rise of Digital Reading Takeuchi Tb 108 Service Manual
 - Advantages of eBooks Over Traditional Books
2. Identifying Takeuchi Tb 108 Service Manual
 - Exploring Different Genres
 - Considering Fiction vs. Non-Fiction
 - Determining Your Reading Goals
3. Choosing the Right eBook Platform
 - Popular eBook Platforms
 - Features to Look for in an Takeuchi Tb 108 Service Manual
 - User-Friendly Interface
4. Exploring eBook Recommendations from Takeuchi Tb 108 Service Manual
 - Personalized Recommendations
 - Takeuchi Tb 108 Service Manual User Reviews and Ratings

- Takeuchi Tb 108 Service Manual and Bestseller Lists
- 5. Accessing Takeuchi Tb 108 Service Manual Free and Paid eBooks
 - Takeuchi Tb 108 Service Manual Public Domain eBooks
 - Takeuchi Tb 108 Service Manual eBook Subscription Services
 - Takeuchi Tb 108 Service Manual Budget-Friendly Options
- 6. Navigating Takeuchi Tb 108 Service Manual eBook Formats
 - ePub, PDF, MOBI, and More
 - Takeuchi Tb 108 Service Manual Compatibility with Devices
 - Takeuchi Tb 108 Service Manual Enhanced eBook Features
- 7. Enhancing Your Reading Experience
 - Adjustable Fonts and Text Sizes of Takeuchi Tb 108 Service Manual
 - Highlighting and Note-Taking Takeuchi Tb 108 Service Manual
 - Interactive Elements Takeuchi Tb 108 Service Manual
- 8. Staying Engaged with Takeuchi Tb 108 Service Manual
 - Joining Online Reading Communities
 - Participating in Virtual Book Clubs
 - Following Authors and Publishers Takeuchi Tb 108 Service Manual
- 9. Balancing eBooks and Physical Books Takeuchi Tb 108 Service Manual
 - Benefits of a Digital Library
 - Creating a Diverse Reading Collection Takeuchi Tb 108 Service Manual
- 10. Overcoming Reading Challenges
 - Dealing with Digital Eye Strain
 - Minimizing Distractions
 - Managing Screen Time
- 11. Cultivating a Reading Routine Takeuchi Tb 108 Service Manual
 - Setting Reading Goals Takeuchi Tb 108 Service Manual
 - Carving Out Dedicated Reading Time
- 12. Sourcing Reliable Information of Takeuchi Tb 108 Service Manual
 - Fact-Checking eBook Content of Takeuchi Tb 108 Service Manual
 - Distinguishing Credible Sources

13. Promoting Lifelong Learning
 - Utilizing eBooks for Skill Development
 - Exploring Educational eBooks
14. Embracing eBook Trends
 - Integration of Multimedia Elements
 - Interactive and Gamified eBooks

Takeuchi Tb 108 Service Manual Introduction

In today's digital age, the availability of Takeuchi Tb 108 Service Manual books and manuals for download has revolutionized the way we access information. Gone are the days of physically flipping through pages and carrying heavy textbooks or manuals. With just a few clicks, we can now access a wealth of knowledge from the comfort of our own homes or on the go. This article will explore the advantages of Takeuchi Tb 108 Service Manual books and manuals for download, along with some popular platforms that offer these resources. One of the significant advantages of Takeuchi Tb 108 Service Manual books and manuals for download is the cost-saving aspect. Traditional books and manuals can be costly, especially if you need to purchase several of them for educational or professional purposes. By accessing Takeuchi Tb 108 Service Manual versions, you eliminate the need to spend money on physical copies. This not only saves you money but also reduces the environmental impact associated with book production and transportation. Furthermore, Takeuchi Tb 108 Service Manual books and manuals for download are incredibly convenient. With just a computer or smartphone and an internet connection, you can access a vast library of resources on any subject imaginable. Whether you're a student looking for textbooks, a professional seeking industry-specific manuals, or someone interested in self-improvement, these digital resources provide an efficient and accessible means of acquiring knowledge. Moreover, PDF books and manuals offer a range of benefits compared to other digital formats. PDF files are designed to retain their formatting regardless of the device used to open them. This ensures that the content appears exactly as intended by the author, with no loss of formatting or missing graphics. Additionally, PDF files can be easily annotated, bookmarked, and searched for specific terms, making them highly practical for studying or referencing. When it comes to accessing Takeuchi Tb 108 Service Manual books and manuals, several platforms offer an extensive collection of resources. One such platform is Project Gutenberg, a nonprofit organization that provides over 60,000 free eBooks. These books are primarily in the public domain, meaning they can be freely distributed and downloaded. Project Gutenberg offers a wide range of classic literature, making it an excellent resource for literature enthusiasts. Another popular platform for Takeuchi Tb 108 Service Manual books and manuals is Open Library. Open Library is an initiative of the Internet Archive, a non-profit organization dedicated to digitizing cultural artifacts and making them

accessible to the public. Open Library hosts millions of books, including both public domain works and contemporary titles. It also allows users to borrow digital copies of certain books for a limited period, similar to a library lending system. Additionally, many universities and educational institutions have their own digital libraries that provide free access to PDF books and manuals. These libraries often offer academic texts, research papers, and technical manuals, making them invaluable resources for students and researchers. Some notable examples include MIT OpenCourseWare, which offers free access to course materials from the Massachusetts Institute of Technology, and the Digital Public Library of America, which provides a vast collection of digitized books and historical documents. In conclusion, Takeuchi Tb 108 Service Manual books and manuals for download have transformed the way we access information. They provide a cost-effective and convenient means of acquiring knowledge, offering the ability to access a vast library of resources at our fingertips. With platforms like Project Gutenberg, Open Library, and various digital libraries offered by educational institutions, we have access to an ever-expanding collection of books and manuals. Whether for educational, professional, or personal purposes, these digital resources serve as valuable tools for continuous learning and self-improvement. So why not take advantage of the vast world of Takeuchi Tb 108 Service Manual books and manuals for download and embark on your journey of knowledge?

FAQs About Takeuchi Tb 108 Service Manual Books

What is a Takeuchi Tb 108 Service Manual PDF? A PDF (Portable Document Format) is a file format developed by Adobe that preserves the layout and formatting of a document, regardless of the software, hardware, or operating system used to view or print it. **How do I create a Takeuchi Tb 108 Service Manual PDF?** There are several ways to create a PDF: Use software like Adobe Acrobat, Microsoft Word, or Google Docs, which often have built-in PDF creation tools. Print to PDF: Many applications and operating systems have a "Print to PDF" option that allows you to save a document as a PDF file instead of printing it on paper. Online converters: There are various online tools that can convert different file types to PDF. **How do I edit a Takeuchi Tb 108 Service Manual PDF?** Editing a PDF can be done with software like Adobe Acrobat, which allows direct editing of text, images, and other elements within the PDF. Some free tools, like PDFescape or Smallpdf, also offer basic editing capabilities. **How do I convert a Takeuchi Tb 108 Service Manual PDF to another file format?** There are multiple ways to convert a PDF to another format: Use online converters like Smallpdf, Zamzar, or Adobe Acrobats export feature to convert PDFs to formats like Word, Excel, JPEG, etc. Software like Adobe Acrobat, Microsoft Word, or other PDF editors may have options to export or save PDFs in different formats. **How do I password-protect a Takeuchi Tb 108 Service Manual PDF?** Most PDF editing software allows you to add password protection. In Adobe Acrobat, for instance, you can go to "File" -> "Properties" -> "Security" to set a password to restrict access or editing capabilities. Are there any

free alternatives to Adobe Acrobat for working with PDFs? Yes, there are many free alternatives for working with PDFs, such as: LibreOffice: Offers PDF editing features. PDFsam: Allows splitting, merging, and editing PDFs. Foxit Reader: Provides basic PDF viewing and editing capabilities. How do I compress a PDF file? You can use online tools like Smallpdf, ILovePDF, or desktop software like Adobe Acrobat to compress PDF files without significant quality loss. Compression reduces the file size, making it easier to share and download. Can I fill out forms in a PDF file? Yes, most PDF viewers/editors like Adobe Acrobat, Preview (on Mac), or various online tools allow you to fill out forms in PDF files by selecting text fields and entering information. Are there any restrictions when working with PDFs? Some PDFs might have restrictions set by their creator, such as password protection, editing restrictions, or print restrictions. Breaking these restrictions might require specific software or tools, which may or may not be legal depending on the circumstances and local laws.

Find Takeuchi Tb 108 Service Manual :

[triumph bonneville owners manual](#)

[triumph speed triple 2002 digital repair manual](#)

[transit workshop manual](#)

[triumph t160 wiring diagram](#)

[troy bilt lawn mower repair self propelled](#)

[triumph 600 lathe manual](#)

tromm wd 800 manual

[trimble field iq module 8054harness](#)

[trigonometry technology unit lesson tesccc](#)

[trigonometry solving word problems](#)

[trimble pro xt manual](#)

[trouble makers volume 4](#)

[triumph 955i service manual](#)

[triumph thruxton 2005 repair service manual](#)

[trouble round the corner wisconsin plain clothes girls series book 1](#)

Takeuchi Tb 108 Service Manual :

question social affair jessore board old cosmc org - Jun 12 2023

web question social affair jessore board downloaded from old cosmc org by guest kerr beltran the christian advocate springer
this book discusses imaginary future

question social affair jessore board sir jadunath sarkar - Jul 01 2022

web question social affair jessore board question social affair jessore board 2 downloaded from nysm pfi org on 2021 10 08
by guest camelia dewan utilizes

question social affair jessore board spyder adecco com - Jan 27 2022

web as this question social affair jessore board it ends stirring instinctive one of the favored book question social affair
jessore board collections that we have this is why you

pdf question social affair jessore board - Nov 24 2021

web by countries understanding post covid 19 social and cultural realities jan 12 2023 this book concentrates on the
changing patterns of work and global social order as a

question social affair jessore board pdf - Aug 14 2023

web question social affair jessore board minutes of evidence taken before the select committee on the affairs of the east india
company mar 04 2023 asiatic journal and

question social affair jessore board iet donnu edu ua - Sep 22 2021

web question social affair jessore board development aid support requests knowledge for le live marseille aller dans les plus
grandes soirées women project arsenic

question social affair jessore board pdf pdf networks kualumni - May 31 2022

web question social affair jessore board pdf introduction question social affair jessore board pdf pdf

question social affair jessore board pdf 25years mitchellinstitute - Feb 25 2022

web jan 29 2023 merely said the question social affair jessore board is universally compatible in the manner of any devices
to read question words learnenglish teens

question social affair jessore board uniport edu - Feb 08 2023

web jul 7 2023 question social affair jessore board 2 6 downloaded from uniport edu ng on july 7 2023 by guest
categorisations made of agrarian structure it shows that the

question social affair jessore board housing gov mv - Apr 29 2022

web question social affair jessore board author mike goebel from housing gov mv subject question social affair jessore board
keywords

question social affair jessore board - Dec 26 2021

web question social affair jessore board author august blatt from gcampp licenses meras gov sa subject question social affair

jessore board

question social affair jessore board pdf - Sep 03 2022

web merely said the question social affair jessore board is universally compatible next any devices to read what is a question mark how do you use it webjan 7 2022

question social affair jessore board wrbb neu edu - Jul 13 2023

web question social affair jessore board 3 3 the world provides an invaluable baseline in assessing the significance of world events robert l bartley editor of the wall street

question social affair jessore board pdf pdf bukuclone ortax - Aug 02 2022

web question social affair jessore board pdf introduction question social affair jessore board pdf pdf

yoksulluk ve sosyal hizmet vize final soruları - Apr 10 2023

web jun 6 2020 a sosyal hizmet yerine zaman zaman ıslah hizmetleri kavramı kullanılmaktadır b İngilizce literatürde sosyal hizmet kavramı social services şeklinde

baİbÜ sik sorulan sorular sİstemİ ibu edu tr - Jan 07 2023

web tÜm soru ve cevaplara ulaŞın kategorilere ya da Üniversitemiz birimlerine göre soru ve cevapları görüntüleyin bİrİmlere göre soru ve cevaplar

question social affair jessore board uniport edu - Oct 24 2021

web getting the books question social affair jessore board now is not type of inspiring means you could not without help going afterward book hoard or library or borrowing from your

download free question social affair jessore board - Dec 06 2022

web question social affair jessore board secular world and social economist nov 29 2022 the history of the fleet street house 20 p at the end of v 18 the visva bharati

question social affair jessore board pdf uniport edu - Nov 05 2022

web jun 25 2023 question social affair jessore board 2 7 downloaded from uniport edu ng on june 25 2023 by guest

assessment begins with an introduction and then a chapter

question social affair jessore board copy pqr uiaf gov co - Mar 29 2022

web getting this info get the question social affair jessore board associate that we give here and check out the link you could buy lead question social affair jessore board or

question social affair jessore board pdf uniport edu - May 11 2023

web may 7 2023 question social affair jessore board 1 5 downloaded from uniport edu ng on may 7 2023 by guest question social affair jessore board this is likewise one of

sıkça sorulan sorular siyaset bilimi ve uluslararası İlişkiler - Oct 04 2022

web sıkça sorulan sorular 1 lisansüstü program kaç senede tamamlanabiliyor master programının ilk yıl ders alma ikinci yıl tez toplam iki yılda bitmesi öneriliyor en fazla üç

uluslararası sosyal politika Çıkmış sınav soruları - Mar 09 2023

web uluslararası sosyal politika dersi ara vize sınavı dönem sonu final sınavı tek ders Üç ders ve yaz okulu sorularına aşağıda bulunan sınavları seçerek ulaşabilirsiniz

the norton anthology of english literature archive org - Apr 11 2023

web 6 volumes 25 cm read by millions of students over seven editions the norton anthology of english literature remains the most trusted undergraduate survey of english literature available and one of the most successful college texts ever published

the norton anthology of english literature amazon com - Jul 02 2022

web feb 8 2012 the ninth edition offers more complete works and more teachable groupings than ever before the apparatus you trust and a new free supplemental ebook with more than 1 000 additional texts read by more than 8 million students the norton anthology of english literature sets the standard and remains an unmatched value

the norton anthology of english literature expanded - Jan 28 2022

web the norton anthology of english literature expanded publication date 2012 topics english literature literatur englisch great britain literary collections great britain großbritannien publisher new york w w norton collection inlibrary printdisabled internetarchivebooks contributor internet archive language english

the norton anthology of english literature amazon com tr - Mar 10 2023

web the norton anthology of english literature 3 volume set a b c package package 1 volumes a b c stephen greenblatt amazon com tr kitap edebiyat ve kurgu siyaset ve felsefe kitap

the norton anthology of english literature volume 2 google - Dec 27 2021

web w w norton incorporated 1993 literary collections this norton anthology edition reprints the authoritative text established by r w chapman designed as a companion to volume two of the norton anthology of english literature sixth edition this volume includes the text footnotes and bibliography of the second edition of the norton

the norton anthology of english literature - Jul 14 2023

web by stephen greenblatt general editor harvard university a responsive refreshed and media rich revision of the best selling anthology in the field the most trusted anthology for complete works and helpful editorial apparatus

the norton anthology of english literature google books - Oct 05 2022

web feb 13 2012 w w norton company feb 13 2012 literary collections 224 pages the ninth edition offers more complete works and more teachable groupings than ever before the apparatus you trust and

norton anthology of english literature 10e volume a b c - Mar 30 2022

web the most trusted anthology for complete works and helpful editorial apparatus the tenth edition supports survey and period courses with new complete major works new contemporary writers and dynamic and easy to access digital resources

[the norton anthology of english literature amazon com](#) - Jan 08 2023

web amazon com the norton anthology of english literature 9780393603132 greenblatt stephen books books literature fiction history criticism enjoy fast free delivery exclusive deals and award winning movies tv shows with prime try prime and start saving today with fast free delivery buy new 71 18 free returns

the norton anthology of english literature open library - Feb 26 2022

web apr 18 2023 read by millions of students over seven editions the norton anthology of english literature remains the most trusted undergraduate survey of english literature available and one of the most successful college texts ever published

the norton anthology of english literature volumes d e f - Aug 03 2022

web the norton anthology of english literature volumes d e f packeage d f greenblatt stephen amazon com tr kitap

the norton anthology of english literature google books - Sep 04 2022

web jun 11 2018 w w norton company jun 11 2018 literary collections 1872 pages the most trusted anthology for complete works and helpful editorial apparatus the tenth edition supports survey and period courses with new complete major works new contemporary writers and dynamic and easy to access digital resources

the norton anthology of english literature amazon com - Jun 01 2022

web jun 11 2018 the norton anthology of english literature vol 1 the middle ages through the restoration and the eighteenth century 8th edition stephen greenblatt 4 5 out of 5 stars 184

the norton anthology of english literature wikipedia - Jun 13 2023

web the norton anthology of english literature is an anthology of english literature published by w w norton company one of several such compendiums first published in 1962 it has gone through ten editions as of 2006 there are over eight million copies in print making it the publisher s best selling anthology 1 m h

the norton anthology of english literature open library - Dec 07 2022

web feb 28 2023 the norton anthology of english literature by m h abrams open library overview view 36 editions details reviews lists related books last edited by importbot february 28 2023 history edit an edition of the norton anthology of english literature 1962 the norton anthology of english literature tenth edition

the norton anthology of english literature - Feb 09 2023

web product details an exciting teachable collection of some of the very best of english literature at an incredible price carefully assembled based on a survey of print adopters this core selections ebook offers an assortment of works from the

most trusted anthology

the norton anthology of english literature the major authors - Apr 30 2022

web oct 12 2018 w w norton company oct 12 2018 literary collections 1568 pages the most trusted and best selling anthology continues to set the bar with a vibrant revision of the major authors edition major authors offers new complete major works new contemporary writers and new dynamic and convenient digital resources

the norton anthology of english literature the major authors - Nov 06 2022

web the norton anthology of english literature the major authors tenth edition two volume set by stephen greenblatt general editor harvard university exceptional selections abundant teaching resources unparalleled value the most trusted and best selling anthology continues to set the bar with a vibrant revision of the major authors

the norton anthology of english literature - Aug 15 2023

web a sweeping revision that speaks to how english literature is taught today the norton anthology of english literature stephen greenblatt deidre shauna lynch eric eisner catherine robson rachel ablow jahan ramazani aarthi vadde 9781324062981

the norton anthology of english literature w w norton - May 12 2023

web a responsive refreshed and media rich revision of the best selling anthology in the field the most trusted anthology for complete works balanced selections and helpful editorial apparatus the tenth edition supports survey and period courses with new complete major works new contemporary writers and dynamic and easy to access digital

t h r barry mcgee ouvrage multilingue by barry mcgee - Apr 03 2023

web april 25th 2020 t h r barry mcgee ouvrage multilingue par autor est disponible au téléchargement en format pdf et epub ici vous pouvez accéder à des millions de livres tous les livres disponibles pour lire en

t h r barry mcgee ouvrage multilingue book - Aug 07 2023

web t h r barry mcgee ouvrage multilingue dialogic education for the internet age feb 18 2022 dialogic education for the internet age argues that despite rapid advances in communications technology most teaching still relies on traditional approaches to education built upon the logic of print and dependent on the notion that

t h r barry mcgee ouvrage multilingue pdf thegreenroute - Aug 27 2022

web 4 t h r barry mcgee ouvrage multilingue 2023 02 22 a genre at a key moment of transition while many street and graffiti artists are still challenging the orthodoxies of the public sphere an increasingly prevalent group are reshaping the field by their studio practice no longer furtively entering the institution no longer slavishly reproducing

t h r barry mcgee ouvrage multilingue relié amazon fr - Oct 09 2023

web t h r barry mcgee ouvrage multilingue mcgee barry amazon fr livres passer au contenu principal fr bonjour entrez votre

adresse livres sélectionnez la section dans laquelle vous souhaitez faire votre recherche rechercher amazon fr bonjour identifiez vous compte et listes retours et commandes panier

télécharger t h r barry mcgee ouvrage multilingue de barry mcgee - Jul 06 2023

web jun 12 2022 télécharger t h r barry mcgee ouvrage multilingue télécharger le t h r barry mcgee ouvrage multilingue epub pdf txt pdb rtf fb2 audio books la ligne ci dessous sont affichées les informations complètes concernant t h r barry mcgee ouvrage multilingue le titre du livre t h r barry mcgee

barry mcgee wikipedia - Dec 31 2022

web barry mcgee born 1966 is an american artist he is known for graffiti art and a pioneer of the mission school art movement 1 mcgee is known by his monikers twist 2 ray fong 3 bernon vernon 4 and p kin

t h r barry mcgee ouvrage multilingue barry mcgee barry - Feb 01 2023

web apr 22 2012 t h r barry mcgee ouvrage multilingue mcgee barry amazon fr livres

barry mcgee rose aaron mcgee barry 9788862080965 - Apr 22 2022

web feb 28 2010 this hardcover artist s book takes the form of a visual collage incorporating photographs drawings paintings and documentation of past and present installations it is the definitive volume on a much loved artist barry mcgee was born in san francisco in 1968 and studied at the san francisco art institute

t h r barry mcgee ouvrage multilingue abebooks france - May 04 2023

web t h r barry mcgee ouvrage multilingue de mcgee barry sur abebooks fr isbn 10 8862080964 isbn 13 9788862080965 damiani 2010 couverture rigide

t h r barry mcgee ouvrage multilingue george gissing - Jun 24 2022

web t h r barry mcgee ouvrage multilingue getting the books t h r barry mcgee ouvrage multilingue now is not type of challenging means you could not deserted going later than ebook gathering or library or borrowing from your friends to right to use them this is an unconditionally easy means to specifically get lead by on line

télécharger t h r barry mcgee ouvrage multilingue gratuit - Sep 08 2023

web sep 26 2020 télécharger le t h r barry mcgee ouvrage multilingue epub pdf txt pdb rtf fb2 audio books la ligne ci dessous sont affichées les informations complètes concernant t h r barry mcgee ouvrage multilingue le titre du livre t h r barry mcgee ouvrage multilingue taille du fichier 84 78 mb format

t h r barry mcgee ouvrage multilingue by barry mcgee - Mar 22 2022

web oct 5 2023 télécharger t h r barry mcgee ouvrage multilingue pdf april 25th 2020 t h r barry mcgee ouvrage multilingue par autor est disponible au téléchargement en format pdf et epub ici vous pouvez accéder à des millions de livres tous les livres disponibles pour lire en ligne et télécharger sans avoir à payer plus

t h r barry mcgee ouvrage multilingue by barry mcgee - May 24 2022

web t h r barry mcgee ouvrage multilingue by barry mcgee les illusions calligraphiques 3d de cyril vouilloz april 29th 2020 cyril vouilloz mieux connu sous le pseudo de rylsee est captivé depuis longtemps par l art subtil de la calligraphie et grâce à sa

t h r barry mcgee ouvrage multilingue download only - Oct 29 2022

web barry mcgee brings together the artist s graffiti work paintings installations and photography and is published on the occasion of his exhibition at the fondazione prada in italy

t h r barry mcgee ouvrage multilingue domainlookup - Mar 02 2023

web mar 24 2023 t h r barry mcgee ouvrage multilingue this is likewise one of the factors by obtaining the soft documents of this t h r barry mcgee ouvrage multilingue by online

t h r barry mcgee ouvrage multilingue 2022 ai classmonitor - Nov 29 2022

web t h r barry mcgee ouvrage multilingue 3 3 yaddo and thenew york public library this collection provides a window into the famously private institution recounting the experiences of the artists who took advantage of a bucolic retreat to tap into and mingle with

t h r barry mcgee ouvrage multilingue 2022 old syndeohro - Jul 26 2022

web 2 t h r barry mcgee ouvrage multilingue 2022 03 21 johanson with whom she shared a distinct and elusive sensibility as well as others from los angeles and her home town of new york including like phil frost mike mills and ed templeton

t h r barry mcgee ouvrage multilingue sales macktrucks com - Feb 18 2022

web 4 t h r barry mcgee ouvrage multilingue 2022 04 10 lund humphries publishers limited 2nd ed of photographs from exhibition over the past year ryan mcginley and his crew explored huge underground caves venturing into unknown territory and seeking out spectacular natural spaces some previously

télécharger t h r barry mcgee ouvrage multilingue pdf ebook barry - Sep 27 2022

web apr 29 2022 télécharger t h r barry mcgee ouvrage multilingue pdf ebook télécharger ou lisez le livre t h r barry mcgee ouvrage multilingue de ha

pdf t h r barry mcgee ouvrage multilingue - Jun 05 2023

web louisiana barry mcgee sep 29 2022 this monumental volume records more than two decades of incredible fecundity over the course of which mcgee has pioneered a new iconography of sharp street vitality and graphic snap barry mcgee apr 05 2023 a graffiti artist and tagger by nature barry mcgee has in the last few years taken a stealth