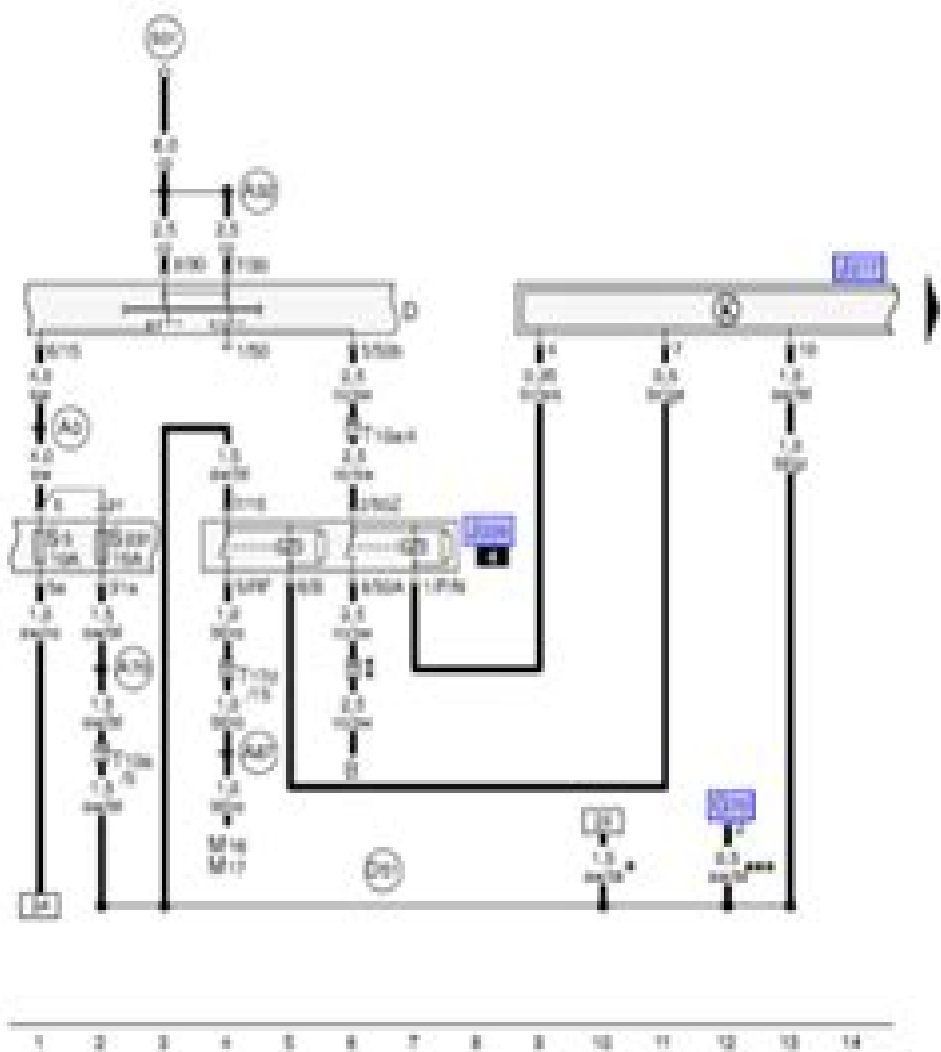


Ignition/Starter Switch, Park/Neutral Position (PNP) Relay



- S - Starter
- D - Ignition/Starter Switch
- M10 - Mass Air Flow (MAF) Sensor
- M11 - Transmission Control Module (TCM)
- M16 - Left Back-Up Light
- M17 - Right Back-Up Light
- SS - Fuse in fuse holder/relay panel
- S231 - Fuse in fuse holder
- T10a - 10-Pin Connector, brown, connector station E-box, plenum chamber
- T11a - 13-Pin Connector, red, connector station E-box, plenum chamber

- (C1) - Threaded connection -2- (C2), on the relay plate
- (A2) - Plus connection (15), in instrument panel wiring harness
- (A3) - Plus connection (30), in instrument panel wiring harness
- (A1) - Connector (15a, fuse 231), in instrument panel wiring harness
- (A2) - Wire connection (30F), in instrument panel wiring harness
- (C1) - Plus connection -1- (15), in engine compartment wiring harness

- - Not for USA/COM
- - see Engine wiring diagram
- - Not for USA/COM

- bl = black
- wh = white
- brk = black
- ro = red
- br = brown
- gn = green
- bl = blue
- gr = grey
- l = light
- ge = yellow
- or = orange

Vw Golf 3 Throttle Control Module Diagram

Hussin A.Rothana



Vw Golf 3 Throttle Control Module Diagram:

Volkswagen Jetta, Golf, GTI Service Manual Bentley Publishers, 2003 Bentley Publishers is the exclusive factory authorized publisher of Volkswagen Service Manuals in the United States and Canada In every manual we provide full factory repair procedures specifications tolerances electrical wiring diagrams and lubrication and maintenance information Bentley manuals are the only complete authoritative source of Volkswagen maintenance and repair information Even if you never intend to service your car yourself you ll find that owning a Bentley Manual will help you to discuss repairs more intelligently with your service technician

Volkswagen Jetta, Golf, GTI, Cabrio Service Manual, 1993-1999 Bentley Publishers, Robert Bentley, inc, 1999 Bentley Publishers is the exclusive factory authorized publisher of Volkswagen Service Manuals in the United States and Canada In every manual we provide full factory repair procedures specifications tolerances electrical wiring diagrams and lubrication and maintenance information Bentley manuals are the only complete authoritative source of Volkswagen maintenance and repair information Even if you never intend to service your car yourself you ll find that owning a Bentley Manual will help you to discuss repairs more intelligently with your service technician

Fuel Systems and Emission Control Shop Manual ,2000 Small Gas Engines & Power Transmission Systems Walter E. Billiet, 1982 Explains the operating principles and repair procedures for the gasoline engines and transmissions of lawn mowers garden tractors mopeds and other equipment

Volkswagen Rabbit, Scirocco Service Manual, 1975/1976/1977/1978/1979 Gasoline Models ,1982 **Fuel Systems and Emission Controls** ,1988 **Popular Mechanics** ,1975-08 Popular Mechanics inspires instructs and influences readers to help them master the modern world Whether it s practical DIY home improvement tips gadgets and digital technology information on the newest cars or the latest breakthroughs in science PM is the ultimate guide to our high tech lifestyle

Volkswagen GTI Golf-Jetta Service Manual, 1985-1992 Robert Bentley, inc, 1992 New information covers the 2 0 liter 16V engine ABS troubleshooting service CIS E Motronic fuel injection Digifant I fuel injection with On Board Diagnosis ECO Diesel full manual transaxle rebuilding procedures A special Fundamentals section has been added to the beginning of the manual to help the owner understand the basics of automotive systems repair procedures The most comprehensive Golf manual available

Electric Vehicle Developments ,1987 *Air Trails Pictorial* ,1958 **Popular Mechanics** ,1964-04 Popular Mechanics inspires instructs and influences readers to help them master the modern world Whether it s practical DIY home improvement tips gadgets and digital technology information on the newest cars or the latest breakthroughs in science PM is the ultimate guide to our high tech lifestyle

Popular Mechanics ,1964-04 Popular Mechanics inspires instructs and influences readers to help them master the modern world Whether it s practical DIY home improvement tips gadgets and digital technology information on the newest cars or the latest breakthroughs in science PM is the ultimate guide to our high tech lifestyle

Soviet Inventions Illustrated ,1973-10 **Popular Science** ,2002-12 Popular Science gives our readers the information and tools to

improve their technology and their world The core belief that Popular Science and our readers share The future is going to be better and science and technology are the driving forces that will help make it better Popular Science ,2004-09
Popular Science gives our readers the information and tools to improve their technology and their world The core belief that Popular Science and our readers share The future is going to be better and science and technology are the driving forces that will help make it better **Popular Science** ,2007-05 Popular Science gives our readers the information and tools to improve their technology and their world The core belief that Popular Science and our readers share The future is going to be better and science and technology are the driving forces that will help make it better Natural Gardening Magazine ,1964 **The Autocar** ,1959

The book delves into Vw Golf 3 Throttle Control Module Diagram. Vw Golf 3 Throttle Control Module Diagram is an essential topic that needs to be grasped by everyone, ranging from students and scholars to the general public. The book will furnish comprehensive and in-depth insights into Vw Golf 3 Throttle Control Module Diagram, encompassing both the fundamentals and more intricate discussions.

1. This book is structured into several chapters, namely:

- Chapter 1: Introduction to Vw Golf 3 Throttle Control Module Diagram
- Chapter 2: Essential Elements of Vw Golf 3 Throttle Control Module Diagram
- Chapter 3: Vw Golf 3 Throttle Control Module Diagram in Everyday Life
- Chapter 4: Vw Golf 3 Throttle Control Module Diagram in Specific Contexts
- Chapter 5: Conclusion

2. In chapter 1, this book will provide an overview of Vw Golf 3 Throttle Control Module Diagram. The first chapter will explore what Vw Golf 3 Throttle Control Module Diagram is, why Vw Golf 3 Throttle Control Module Diagram is vital, and how to effectively learn about Vw Golf 3 Throttle Control Module Diagram.

3. In chapter 2, the author will delve into the foundational concepts of Vw Golf 3 Throttle Control Module Diagram. The second chapter will elucidate the essential principles that need to be understood to grasp Vw Golf 3 Throttle Control Module Diagram in its entirety.

4. In chapter 3, this book will examine the practical applications of Vw Golf 3 Throttle Control Module Diagram in daily life. The third chapter will showcase real-world examples of how Vw Golf 3 Throttle Control Module Diagram can be effectively utilized in everyday scenarios.

5. In chapter 4, the author will scrutinize the relevance of Vw Golf 3 Throttle Control Module Diagram in specific contexts. This chapter will explore how Vw Golf 3 Throttle Control Module Diagram is applied in specialized fields, such as education, business, and technology.

6. In chapter 5, this book will draw a conclusion about Vw Golf 3 Throttle Control Module Diagram. This chapter will summarize the key points that have been discussed throughout the book.

The book is crafted in an easy-to-understand language and is complemented by engaging illustrations. This book is highly recommended for anyone seeking to gain a comprehensive understanding of Vw Golf 3 Throttle Control Module Diagram.

https://about.livewellcolorado.org/public/Resources/index.jsp/Toujours_Plus_De_Science_Pour_Tout_Le_Monde_Documents.pdf

Table of Contents Vw Golf 3 Throttle Control Module Diagram

1. Understanding the eBook Vw Golf 3 Throttle Control Module Diagram
 - The Rise of Digital Reading Vw Golf 3 Throttle Control Module Diagram
 - Advantages of eBooks Over Traditional Books
2. Identifying Vw Golf 3 Throttle Control Module Diagram
 - Exploring Different Genres
 - Considering Fiction vs. Non-Fiction
 - Determining Your Reading Goals
3. Choosing the Right eBook Platform
 - Popular eBook Platforms
 - Features to Look for in an Vw Golf 3 Throttle Control Module Diagram
 - User-Friendly Interface
4. Exploring eBook Recommendations from Vw Golf 3 Throttle Control Module Diagram
 - Personalized Recommendations
 - Vw Golf 3 Throttle Control Module Diagram User Reviews and Ratings
 - Vw Golf 3 Throttle Control Module Diagram and Bestseller Lists
5. Accessing Vw Golf 3 Throttle Control Module Diagram Free and Paid eBooks
 - Vw Golf 3 Throttle Control Module Diagram Public Domain eBooks
 - Vw Golf 3 Throttle Control Module Diagram eBook Subscription Services
 - Vw Golf 3 Throttle Control Module Diagram Budget-Friendly Options
6. Navigating Vw Golf 3 Throttle Control Module Diagram eBook Formats
 - ePub, PDF, MOBI, and More
 - Vw Golf 3 Throttle Control Module Diagram Compatibility with Devices
 - Vw Golf 3 Throttle Control Module Diagram Enhanced eBook Features
7. Enhancing Your Reading Experience
 - Adjustable Fonts and Text Sizes of Vw Golf 3 Throttle Control Module Diagram
 - Highlighting and Note-Taking Vw Golf 3 Throttle Control Module Diagram
 - Interactive Elements Vw Golf 3 Throttle Control Module Diagram

8. Staying Engaged with Vw Golf 3 Throttle Control Module Diagram
 - Joining Online Reading Communities
 - Participating in Virtual Book Clubs
 - Following Authors and Publishers Vw Golf 3 Throttle Control Module Diagram
9. Balancing eBooks and Physical Books Vw Golf 3 Throttle Control Module Diagram
 - Benefits of a Digital Library
 - Creating a Diverse Reading Collection Vw Golf 3 Throttle Control Module Diagram
10. Overcoming Reading Challenges
 - Dealing with Digital Eye Strain
 - Minimizing Distractions
 - Managing Screen Time
11. Cultivating a Reading Routine Vw Golf 3 Throttle Control Module Diagram
 - Setting Reading Goals Vw Golf 3 Throttle Control Module Diagram
 - Carving Out Dedicated Reading Time
12. Sourcing Reliable Information of Vw Golf 3 Throttle Control Module Diagram
 - Fact-Checking eBook Content of Vw Golf 3 Throttle Control Module Diagram
 - Distinguishing Credible Sources
13. Promoting Lifelong Learning
 - Utilizing eBooks for Skill Development
 - Exploring Educational eBooks
14. Embracing eBook Trends
 - Integration of Multimedia Elements
 - Interactive and Gamified eBooks

Vw Golf 3 Throttle Control Module Diagram Introduction

In the digital age, access to information has become easier than ever before. The ability to download Vw Golf 3 Throttle Control Module Diagram has revolutionized the way we consume written content. Whether you are a student looking for course material, an avid reader searching for your next favorite book, or a professional seeking research papers, the option to download Vw Golf 3 Throttle Control Module Diagram has opened up a world of possibilities. Downloading Vw Golf 3 Throttle Control Module Diagram provides numerous advantages over physical copies of books and documents. Firstly, it is

incredibly convenient. Gone are the days of carrying around heavy textbooks or bulky folders filled with papers. With the click of a button, you can gain immediate access to valuable resources on any device. This convenience allows for efficient studying, researching, and reading on the go. Moreover, the cost-effective nature of downloading Vw Golf 3 Throttle Control Module Diagram has democratized knowledge. Traditional books and academic journals can be expensive, making it difficult for individuals with limited financial resources to access information. By offering free PDF downloads, publishers and authors are enabling a wider audience to benefit from their work. This inclusivity promotes equal opportunities for learning and personal growth. There are numerous websites and platforms where individuals can download Vw Golf 3 Throttle Control Module Diagram. These websites range from academic databases offering research papers and journals to online libraries with an expansive collection of books from various genres. Many authors and publishers also upload their work to specific websites, granting readers access to their content without any charge. These platforms not only provide access to existing literature but also serve as an excellent platform for undiscovered authors to share their work with the world. However, it is essential to be cautious while downloading Vw Golf 3 Throttle Control Module Diagram. Some websites may offer pirated or illegally obtained copies of copyrighted material. Engaging in such activities not only violates copyright laws but also undermines the efforts of authors, publishers, and researchers. To ensure ethical downloading, it is advisable to utilize reputable websites that prioritize the legal distribution of content. When downloading Vw Golf 3 Throttle Control Module Diagram, users should also consider the potential security risks associated with online platforms. Malicious actors may exploit vulnerabilities in unprotected websites to distribute malware or steal personal information. To protect themselves, individuals should ensure their devices have reliable antivirus software installed and validate the legitimacy of the websites they are downloading from. In conclusion, the ability to download Vw Golf 3 Throttle Control Module Diagram has transformed the way we access information. With the convenience, cost-effectiveness, and accessibility it offers, free PDF downloads have become a popular choice for students, researchers, and book lovers worldwide. However, it is crucial to engage in ethical downloading practices and prioritize personal security when utilizing online platforms. By doing so, individuals can make the most of the vast array of free PDF resources available and embark on a journey of continuous learning and intellectual growth.

FAQs About Vw Golf 3 Throttle Control Module Diagram Books

How do I know which eBook platform is the best for me? Finding the best eBook platform depends on your reading preferences and device compatibility. Research different platforms, read user reviews, and explore their features before making a choice. Are free eBooks of good quality? Yes, many reputable platforms offer high-quality free eBooks, including

classics and public domain works. However, make sure to verify the source to ensure the eBook credibility. Can I read eBooks without an eReader? Absolutely! Most eBook platforms offer web-based readers or mobile apps that allow you to read eBooks on your computer, tablet, or smartphone. How do I avoid digital eye strain while reading eBooks? To prevent digital eye strain, take regular breaks, adjust the font size and background color, and ensure proper lighting while reading eBooks. What the advantage of interactive eBooks? Interactive eBooks incorporate multimedia elements, quizzes, and activities, enhancing the reader engagement and providing a more immersive learning experience. Vw Golf 3 Throttle Control Module Diagram is one of the best book in our library for free trial. We provide copy of Vw Golf 3 Throttle Control Module Diagram in digital format, so the resources that you find are reliable. There are also many Ebooks of related with Vw Golf 3 Throttle Control Module Diagram. Where to download Vw Golf 3 Throttle Control Module Diagram online for free? Are you looking for Vw Golf 3 Throttle Control Module Diagram PDF? This is definitely going to save you time and cash in something you should think about.

Find Vw Golf 3 Throttle Control Module Diagram :

[toujours plus de science pour tout le monde documents](#)

toshiba satellite a660 pro a660 service manual repair guide

tour guide guatemala

[tourism november grade 11 2014 exemplar](#)

toshiba regza 40 manual

toshiba satellite a300 service manual

toshiba sdk1000 user manual

[tourism term four exam scope grade 10](#)

tourism guidelines for final examination 2014

[toshiba xde5instruction manual](#)

tourism gauteng june grade 1memorandum

tow motor type g manual

[toshiba satellite 1900 manual](#)

touchstone for play story of us trilogy book english edition

toshiba satellite c655 user guide

Vw Golf 3 Throttle Control Module Diagram :

[semestersprachkurse allgemeinsprachen universität hamburg](#) - Jan 27 2022

web sep 22 2022 humboldt universität zu berlin ze sprachenzentrum kursangebot und anmeldung semesterkurse spanisch

komplettkurs spanisch zum hören sprachen lernen ohne buch - Oct 04 2022

web jan 2 2012 komplettkurs spanisch zum hören sprachen lernen ohne buch bis niveau b1 paket rudolph hildegard panero
josé antonio on amazon com free shipping

halk eğitim Ücretsiz İspanyolca kursu Ücretsiz kurslar kurs - Nov 24 2021

web jan 11 2017 yabancı diller İspanyolca a1 seviyesi tür genel ders saati 120 modül seviyesi 0 onay tarihi 11 01 2017

yabancı diller branşındaki İspanyolca a1 seviyesi

komplettkurs spanisch zum hören google books - Jul 01 2022

web komplettkurs spanisch zum hören boek audio komplettkurs spanisch zum h ren is een boek van hildegard rudolph
komplettkurs spanisch zum h ren

komplettkurs spanisch zum h ren ganter presse buch gmbh - Nov 05 2022

web komplettkurs spanisch zum h ren sprachen lernen ohne buch bis niveau b1 8 audio cds begleitheft rudolph hildegard
panero jos  antonio amazon nl boeken

spanisch komplettkurs zum h ren audio cds google books - Dec 06 2022

web zielniveau b1 spanisch lernen ohne buch das bietet der motivierende komplettkurs f r anf nger und wiedereinsteiger ob
im alltag oder im beruf mit diesem sprachkurs

komplettkurs zum h ren komplettkurs spanisch zum h ren - Mar 29 2022

web komplettkurs zum h ren komplettkurs spanisch zum h ren june 1st 2020 komplettkurs zum h ren komplettkurs
spanisch zum h ren sprachen lernen ohne

[komplettkurs spanisch zum h ren lehmanns de](#) - Apr 29 2022

web komplettkurs zum h ren komplettkurs spanisch zum h ren june 1st 2020 komplettkurs zum h ren komplettkurs
spanisch zum h ren sprachen lernen ohne

komplettkurs spanisch zum h ren sprachen lernen ohne buch - Feb 08 2023

web spanisch lernen ohne buch das bietet der motivierende komplettkurs f r anf nger und wiedereinsteiger ob im alltag
oder im beruf mit diesem sprachkurs lernen sie die

[hueber komplettkurs span zum h ren pak shop](#) - Jun 12 2023

web spanisch lernen ohne buch das bietet der motivierende komplettkurs f r anf nger und wiedereinsteiger ob im alltag
oder im beruf mit diesem sprachkurs lernen sie die

komplettkurs spanisch zum hören sprachen lernen ohne buch - Sep 03 2022

web zielniveau b1 spanisch lernen ohne buch das bietet der motivierende komplettkurs für anfänger und wiedereinsteiger ob im alltag oder im beruf mit diesem sprachkurs

[spanisch sprachenzentrum](#) - Dec 26 2021

web halk eğitim Ücretsiz İspanyolca kursu halk eğitim Ücretsiz İspanyolca kursu Ön kayıtları yıl boyunca yapılabilmektedir türkiye genelindeki 987 halk eğitim merkezinde yabancı

komplettkurs zum hören komplettkurs spanisch zum hören - Aug 14 2023

web audio cd 9 95 1 gebraucht ab 8 90 17 neu ab 9 95 spanisch lernen ohne buch das bietet der motivierende komplettkurs für anfänger und wiedereinsteiger ob im

komplettkurs spanisch zum hören orell füssli - Jan 07 2023

web spanisch lernen ohne buch das bietet der motivierende komplettkurs für anfänger und wiedereinsteiger ob im alltag oder im beruf mit diesem sprachkurs lernen sie die

komplettkurs spanisch zum hören hildegard rudolph - May 31 2022

web komplettkurs spanisch zum hören von hildegard rudolph José Antonio Panero isbn 978 3 19 504205 5 lehmanns de **İspanyolca a1 seviyesi kursu halk eğitim merkezi ve 2019 2020** - Oct 24 2021

komplettkurs spanisch zum hören rudolph hildegard - Aug 02 2022

web komplettkurs spanisch zum hören hueber verlag 0 reviews reviews aren t verified but google checks for and removes fake content when it s identified

komplettkurs spanisch zum hören m 1 audio cd m - May 11 2023

web für anfänger und wiedereinsteiger mit geringen vorkenntnissen gibt es nichts besseres der komplettkurs spanisch umfasst alles was sie brauchen um sich solide

komplettkurs spanisch anfängerkurs aufbaukurs paket 2 - Apr 10 2023

web spanisch lernen ohne buch das bietet der motivierende komplettkurs für anfänger und wiedereinsteiger ob im alltag oder im beruf mit diesem sprachkurs lernen sie die

komplettkurs zum hören komplettkurs spanisch zum hören - Feb 25 2022

web 28 35 wird noch bekannt gegeben ab 10 10 23 12 00 uhr ue unterrichtseinheiten 1 ue 1 unterrichtseinheit 45 minuten sofern die anzahl von unterrichtseinheiten nicht

[komplettkurs spanisch zum hören lehrerwelt de](#) - Jul 13 2023

web zielniveau b1 spanisch lernen ohne buch das bietet der motivierende komplettkurs für anfänger und wiedereinsteiger ob

im alltag oder im beruf mit diesem sprachkurs

komplettkurs span zum hören pak shop hueber de - Mar 09 2023

web komplettkurs spanisch zum hören sprachen lernen ohne buch bis niveau b1 paket amazon es libros libros libros en castellano comprar de segunda mano 12 71

on the edge of infinity encounters with the beauty of - Jun 13 2023

web jun 12 2018 4 32 25 ratings5 reviews award winning bestselling german science author stefan klein transforms a simple object or everyday event such as rose blossom or a day of stormy weather learn to understand the most complex ideas and theories in

on the edge of infinity encounters with the beauty of the - Nov 06 2022

web on the edge of infinity encounters with the beauty of the universe klein stefan amazon com tr kitap

on the edge of infinity song and lyrics by kathryn berry spotify - Jan 28 2022

web listen to on the edge of infinity on spotify kathryn berry song 2016

the edge of infinity wikipedia - Mar 30 2022

web the edge of infinity is the third full length album by the swiss band lunatica it was released on august 28 2006 a release party took place at schützi in olten switzerland on september 23 2006

edge of infinity 2 the infinity project hamilton peter f - Jul 02 2022

web nov 27 2012 edge of infinity is an exhilarating new sf anthology that looks at the next giant leap for humankind the leap from our home world out into the solar system

on the edge of infinity kağıt kapak 15 mart 2019 amazon com tr - Feb 09 2023

web on the edge of infinity cavallin clemens amazon com tr kitap Çerez tercihlerinizi seçin Çerez bildirimimizde ayrıntılı şekilde açıklandığı üzere alışveriş yapmanızı sağlamak alışveriş deneyiminizi iyileştirmek ve hizmetlerimizi sunmak için gerekli olan çerezleri ve benzer araçları kullanırız

lunatica the edge of infinity lyrics genius lyrics - Apr 30 2022

web the edge of infinity lyrics verse 1 can you see the light we re going into feel the power it s a journey to a better world all you have to do is to believe we re heading forward and we will be

on the edge of infinity google books - Aug 15 2023

web from the award winning bestselling german science author stefan klein an original way into the most thought provoking scientific theories and ideas on the edge of infinity is the perfect read for those curious about the workings of the universe how can a hurricane can reveal the world s unpredictability how can a greying beard might demonstrate the

on the edge of infinity song and lyrics by echosonica spotify - Dec 27 2021

web listen to on the edge of infinity on spotify echosonica song 2021 echosonica song 2021 listen to on the edge of infinity on spotify echosonica song 2021 sign up log in home search your library create your first playlist it s

on the edge of infinity a biography of michael d o brien - Jan 08 2023

web mar 21 2019 on the edge of infinity a biography of michael d o brien cavallin clemens 9781621642602 amazon com books books biographies memoirs leaders notable people enjoy fast free delivery exclusive deals and award winning movies tv shows with prime try prime and start saving today with fast free delivery buy

on the edge of infinity encounters with the beauty of the - Jul 14 2023

web jun 12 2018 hardcover june 12 2018 from the award winning bestselling german science author stefan klein an original way into the most thought provoking scientific theories and ideas on the edge of infinity is the perfect read for those curious about the workings of the universe

on the edge of infinity google play - Sep 04 2022

web on the edge of infinity ebook written by s b alexander read this book using google play books app on your pc android ios devices download for offline reading highlight bookmark or take

on the edge of infinity e kitap stefan klein pdf d r - May 12 2023

web bir stefan klein eseri olan on the edge of infinity e kitap olarak en cazip fiyat ile d r de keşfetmek için hemen tıklayınız [edge of infinity on steam](#) - Mar 10 2023

web about this game edge of infinity is a multiplayer space warfare game enter your starship and challenge your friends to all out battles across the stars each match will be unique containing different ships weapons armies and strategy all decided by the player

on the edge of infinity stefan klein amazon in books - Oct 05 2022

web on the edge of infinity has been enjoyable to read though i couldn t get my head around many of the concepts that stefan klein introduces that s was comes of being more artist than scientist i guess

[on the edge of infinity youtube](#) - Jun 01 2022

web provided to youtube by cdbabyon the edge of infinity kathryn berryon the edge of infinity 2016 kathryn berryreleased on 2016 02 29auto generated by youtube

[on the edge song and lyrics by edge of infinity spotify](#) - Feb 26 2022

web edge of infinity song 2020 preview of spotify sign up to get unlimited songs and podcasts with occasional ads

the edge of infinity cambridge university press assessment - Dec 07 2022

web the edge of infinity supermassive black holes in the universe search within full text get access buy a print copy check if you have access via personal or institutional login log in register cited by 27 cited by 27 crossref citations this book has been

cited by the following publications

on the edge of infinity stefan klein - Apr 11 2023

web on the edge of infinity shows us how everyday objects and events can reveal some of the deepest mysteries in all of science in ten eye opening chapters of lyrical prose stefan klein contemplates time space dark matter and more encouraging us to fall in love with the universe the same way scientists do the more we know about twenty first

[edge of infinity by jonathan strahan goodreads](#) - Aug 03 2022

web nov 25 2012 brought to you by the creators of engineering infinity edge of infinity is an exhilarating new sf anthology that looks at the next giant leap for humankind the leap from our home world out into the solar system

12 of the best things to do in switzerland lonely planet - Jul 17 2023

web apr 20 2023 travel stories switzerland 12 of the best experiences in switzerland kerry walker apr 20 2023 13 min read experience the best of switzerland with these top things to do nycshooter getty images no country has it all but the swiss are justified in feeling pretty smug about their lot

11 of the best places to visit in switzerland lonely planet - Sep 19 2023

web apr 23 2023 from the cities of zurich basel and bern to the fairy tale landscapes of zermatt jungfrau and lake geneva here are switzerland s best places to visit

germany austria switzerland s best trips lonely planet - Aug 06 2022

web discover the freedom of the open road with germany austria switzerland s best trips we ve selected 33 amazing road trips through germany austria switzerland from two day escapes to 10 day adventures and packed them full of

[lonely planet discover switzerland goodreads](#) - Nov 09 2022

web lonely planet discover switzerland is your passport to the most relevant up to date advice on what to see and skip and what hidden discoveries await you hike through flower strewn meadows ski through fresh powder in the alps or relax by the shores of lake geneva all with your trusted travel companion

lonely planet discover switzerland 2 travel guide - Apr 02 2022

web jul 17 2015 buy lonely planet discover switzerland 2 travel guide 2 by lonely planet williams nicola christiani kerry clark gregor o brien sally isbn 9781743216736 from amazon s book store everyday low

switzerland travel book and ebook lonely planet - May 15 2023

web lonely planet s switzerland is our most comprehensive guide that extensively covers all the country has to offer with recommendations for both popular and lesser known experiences hop aboard the glacier express hike in the swiss national park and wander the medieval cobbled streets of bern all with your trusted travel companion

[lonely planet discover switzerland travel guide amazon com](#) - Jun 16 2023

web aug 1 2015 ski through fresh powder in the swiss alps listen to cowbells while enjoying a picnic in a mountain meadow or feast on fondue in gruyeres all with your trusted travel companion discover the best of switzerland and begin your journey now inside lonely planet discover switzerland full colour maps and images throughout

lonely planet discover switzerland barnes noble - Jun 04 2022

web aug 1 2018 lonely planet the world 8217 s leading travel guide publisher lonely planet discover switzerland is your passport to the most relevant up to date advice on what to see and skip and what hidden discoveries await

lonely planet discover switzerland travel guide amazon com - Mar 13 2023

web aug 21 2018 lonely planet discover switzerland is your passport to the most relevant up to date advice on what to see and skip and what hidden discoveries await you hike through flower strewn meadows ski through fresh powder in the alps or relax by the shores of lake geneva all with your trusted travel companion

lonely planet travel guides travel information lonely planet - Dec 10 2022

web nov 17 2023 whether you re interested in traveling to a new city going on a cruise or cooking a new dish we re committed to inspiring you to experience travel in a whole new way lonely planet s collection of 825 travel and guidebooks is sure to inspire the traveler within view all books

must see attractions switzerland central europe lonely planet - Aug 18 2023

web discover the best attractions in switzerland including stiftsbibliothek jungfrauoch and swiss national park

[switzerland travel stories lonely planet](#) - Apr 14 2023

web apr 23 2023 activities 12 of the best experiences in switzerland apr 20 2023 13 min read no country has it all but sensational switzerland certainly comes close here are the best things to do when you get there des