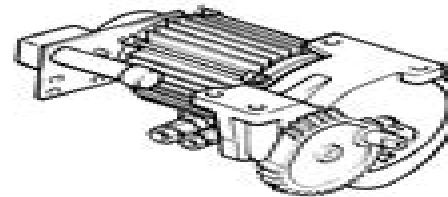
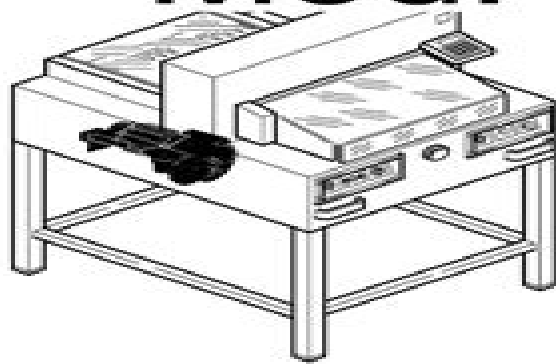
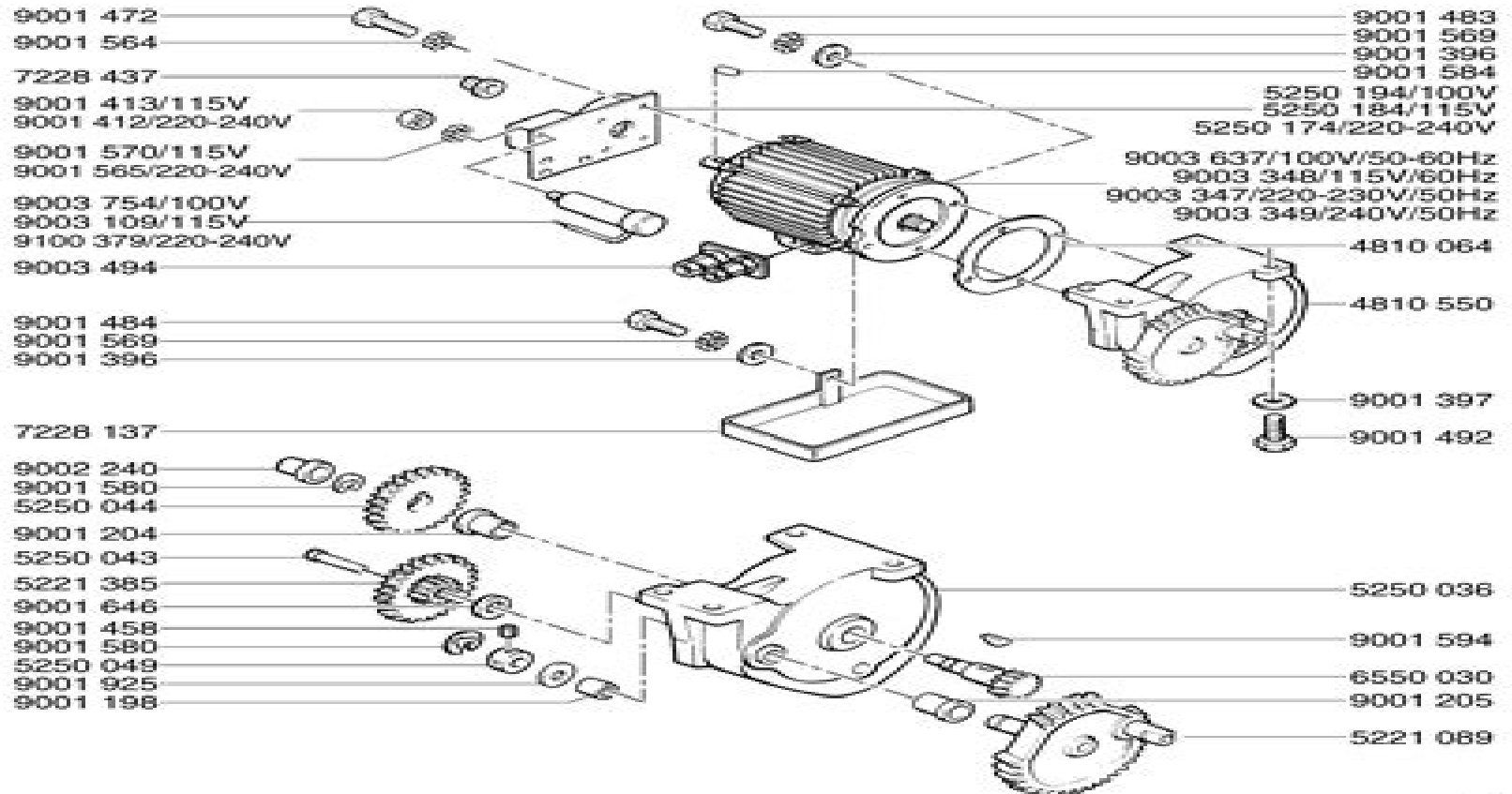


Mod. 6550-95EP D

01.01.2011



4810 548/100V/50-60Hz
 4810 541/115V/60Hz
 6550 540/220-230V/50Hz
 6550 542/240V/50Hz



Triumph 6550 Parts Manual

Hussin A.Rothana



Triumph 6550 Parts Manual:

Right here, we have countless ebook **Triumph 6550 Parts Manual** and collections to check out. We additionally pay for variant types and next type of the books to browse. The customary book, fiction, history, novel, scientific research, as capably as various supplementary sorts of books are readily open here.

As this Triumph 6550 Parts Manual, it ends up living thing one of the favored book Triumph 6550 Parts Manual collections that we have. This is why you remain in the best website to see the unbelievable book to have.

<https://about.livewellcolorado.org/About/publication/fetch.php/3%20Dodge%20Caravan%20Sport%20Manual.pdf>

Table of Contents Triumph 6550 Parts Manual

1. Understanding the eBook Triumph 6550 Parts Manual
 - The Rise of Digital Reading Triumph 6550 Parts Manual
 - Advantages of eBooks Over Traditional Books
2. Identifying Triumph 6550 Parts Manual
 - Exploring Different Genres
 - Considering Fiction vs. Non-Fiction
 - Determining Your Reading Goals
3. Choosing the Right eBook Platform
 - Popular eBook Platforms
 - Features to Look for in an Triumph 6550 Parts Manual
 - User-Friendly Interface
4. Exploring eBook Recommendations from Triumph 6550 Parts Manual
 - Personalized Recommendations
 - Triumph 6550 Parts Manual User Reviews and Ratings
 - Triumph 6550 Parts Manual and Bestseller Lists
5. Accessing Triumph 6550 Parts Manual Free and Paid eBooks
 - Triumph 6550 Parts Manual Public Domain eBooks

- Triumph 6550 Parts Manual eBook Subscription Services
- Triumph 6550 Parts Manual Budget-Friendly Options
- 6. Navigating Triumph 6550 Parts Manual eBook Formats
 - ePub, PDF, MOBI, and More
 - Triumph 6550 Parts Manual Compatibility with Devices
 - Triumph 6550 Parts Manual Enhanced eBook Features
- 7. Enhancing Your Reading Experience
 - Adjustable Fonts and Text Sizes of Triumph 6550 Parts Manual
 - Highlighting and Note-Taking Triumph 6550 Parts Manual
 - Interactive Elements Triumph 6550 Parts Manual
- 8. Staying Engaged with Triumph 6550 Parts Manual
 - Joining Online Reading Communities
 - Participating in Virtual Book Clubs
 - Following Authors and Publishers Triumph 6550 Parts Manual
- 9. Balancing eBooks and Physical Books Triumph 6550 Parts Manual
 - Benefits of a Digital Library
 - Creating a Diverse Reading Collection Triumph 6550 Parts Manual
- 10. Overcoming Reading Challenges
 - Dealing with Digital Eye Strain
 - Minimizing Distractions
 - Managing Screen Time
- 11. Cultivating a Reading Routine Triumph 6550 Parts Manual
 - Setting Reading Goals Triumph 6550 Parts Manual
 - Carving Out Dedicated Reading Time
- 12. Sourcing Reliable Information of Triumph 6550 Parts Manual
 - Fact-Checking eBook Content of Triumph 6550 Parts Manual
 - Distinguishing Credible Sources
- 13. Promoting Lifelong Learning
 - Utilizing eBooks for Skill Development
 - Exploring Educational eBooks

14. Embracing eBook Trends

- Integration of Multimedia Elements
- Interactive and Gamified eBooks

Triumph 6550 Parts Manual Introduction

In the digital age, access to information has become easier than ever before. The ability to download Triumph 6550 Parts Manual has revolutionized the way we consume written content. Whether you are a student looking for course material, an avid reader searching for your next favorite book, or a professional seeking research papers, the option to download Triumph 6550 Parts Manual has opened up a world of possibilities. Downloading Triumph 6550 Parts Manual provides numerous advantages over physical copies of books and documents. Firstly, it is incredibly convenient. Gone are the days of carrying around heavy textbooks or bulky folders filled with papers. With the click of a button, you can gain immediate access to valuable resources on any device. This convenience allows for efficient studying, researching, and reading on the go. Moreover, the cost-effective nature of downloading Triumph 6550 Parts Manual has democratized knowledge. Traditional books and academic journals can be expensive, making it difficult for individuals with limited financial resources to access information. By offering free PDF downloads, publishers and authors are enabling a wider audience to benefit from their work. This inclusivity promotes equal opportunities for learning and personal growth. There are numerous websites and platforms where individuals can download Triumph 6550 Parts Manual. These websites range from academic databases offering research papers and journals to online libraries with an expansive collection of books from various genres. Many authors and publishers also upload their work to specific websites, granting readers access to their content without any charge. These platforms not only provide access to existing literature but also serve as an excellent platform for undiscovered authors to share their work with the world. However, it is essential to be cautious while downloading Triumph 6550 Parts Manual. Some websites may offer pirated or illegally obtained copies of copyrighted material. Engaging in such activities not only violates copyright laws but also undermines the efforts of authors, publishers, and researchers. To ensure ethical downloading, it is advisable to utilize reputable websites that prioritize the legal distribution of content. When downloading Triumph 6550 Parts Manual, users should also consider the potential security risks associated with online platforms. Malicious actors may exploit vulnerabilities in unprotected websites to distribute malware or steal personal information. To protect themselves, individuals should ensure their devices have reliable antivirus software installed and validate the legitimacy of the websites they are downloading from. In conclusion, the ability to download Triumph 6550 Parts Manual has transformed the way we access information. With the convenience, cost-effectiveness, and accessibility it offers, free PDF downloads have become a popular choice for students, researchers, and book lovers worldwide. However, it is

crucial to engage in ethical downloading practices and prioritize personal security when utilizing online platforms. By doing so, individuals can make the most of the vast array of free PDF resources available and embark on a journey of continuous learning and intellectual growth.

FAQs About Triumph 6550 Parts Manual Books

What is a Triumph 6550 Parts Manual PDF? A PDF (Portable Document Format) is a file format developed by Adobe that preserves the layout and formatting of a document, regardless of the software, hardware, or operating system used to view or print it. **How do I create a Triumph 6550 Parts Manual PDF?** There are several ways to create a PDF: Use software like Adobe Acrobat, Microsoft Word, or Google Docs, which often have built-in PDF creation tools. Print to PDF: Many applications and operating systems have a "Print to PDF" option that allows you to save a document as a PDF file instead of printing it on paper. Online converters: There are various online tools that can convert different file types to PDF. **How do I edit a Triumph 6550 Parts Manual PDF?** Editing a PDF can be done with software like Adobe Acrobat, which allows direct editing of text, images, and other elements within the PDF. Some free tools, like PDFescape or Smallpdf, also offer basic editing capabilities. **How do I convert a Triumph 6550 Parts Manual PDF to another file format?** There are multiple ways to convert a PDF to another format: Use online converters like Smallpdf, Zamzar, or Adobe Acrobats export feature to convert PDFs to formats like Word, Excel, JPEG, etc. Software like Adobe Acrobat, Microsoft Word, or other PDF editors may have options to export or save PDFs in different formats. **How do I password-protect a Triumph 6550 Parts Manual PDF?** Most PDF editing software allows you to add password protection. In Adobe Acrobat, for instance, you can go to "File" -> "Properties" -> "Security" to set a password to restrict access or editing capabilities. Are there any free alternatives to Adobe Acrobat for working with PDFs? Yes, there are many free alternatives for working with PDFs, such as: LibreOffice: Offers PDF editing features. PDFsam: Allows splitting, merging, and editing PDFs. Foxit Reader: Provides basic PDF viewing and editing capabilities. How do I compress a PDF file? You can use online tools like Smallpdf, ILovePDF, or desktop software like Adobe Acrobat to compress PDF files without significant quality loss. Compression reduces the file size, making it easier to share and download. Can I fill out forms in a PDF file? Yes, most PDF viewers/editors like Adobe Acrobat, Preview (on Mac), or various online tools allow you to fill out forms in PDF files by selecting text fields and entering information. Are there any restrictions when working with PDFs? Some PDFs might have restrictions set by their creator, such as password protection, editing restrictions, or print restrictions. Breaking these restrictions might require specific software or tools, which may or may not be legal depending on the circumstances and local laws.

Find Triumph 6550 Parts Manual :

~~2003 dodge caravan sport manual~~

~~nature vs nurture essay outline~~

~~12 3 hess s law answers pg 20~~

~~bmw akpp repair manual~~

garden companion deluxe

sociolinguistics r a hudson

~~1996 seadoo xp 800 manual~~

~~novel stars answer key earth science~~

envy of the gods if the reward were right

~~honey and the hemlock democracy and paranoia in ancient athens and modern america~~

~~1970 mercruiser manual~~

~~electronic filter analysis and synthesis~~

~~bosch alternator fiat ducato 2 3 diagram~~

~~larche de noe reseau alliance 19401945~~

b737 maintenance manual

Triumph 6550 Parts Manual :

istanbul türkiye 2023 best places to visit tripadvisor - May 12 2023

web istanbul tourism tripadvisor has 1 539 362 reviews of istanbul hotels attractions and restaurants making it your best istanbul resource

İstanbul da gezilecek yerler en popüler 100 yer detaylı - Aug 15 2023

web yeni camii yeni camii osmanlı sultan aileleri tarafından yaptırılmış İstanbul un tarihi camileri arasında yer almış boğaz kıyısında yer alan en görkemli ve İstanbul silüetinin temel simgesi haline gelmiş olan bir camidir İsmi yeni camii olsa da yaklaşık 500 yıllık bir osmanlık camisidir

İstanbul hava durumu tahmini yandex hava durumu - Jul 14 2023

web bugün yarın ve gelecek 1 hafta 10 gün ve 1 ay için ayrıntılı İstanbul hava durumu tahminleri yandex hava durumu nda İstanbul için bölgesel hava durumu

İstanbul seyahati 2023 tripadvisor - Jun 13 2023

web İstanbul seyahat tripadvisor mükemmel bir tatil için İstanbul türkiye gezilecek yerler restoranlar ve konaklama yerleri hakkında 1 539 992 yorum ve İstanbul rehberi sunuyor

istanbul wikipedia - Apr 11 2023

web the city straddles the bosphorus strait lying in both europe and asia and has a population of over 15 million residents comprising 19 of the population of turkey 4 istanbul is the most populous european city c and the world s 15th largest city [the course of landscape architecture a history of our designs on](#) - Dec 06 2022

web a history of our designs on the natural world from prehistory to the present published by thames hudson by christophe girot author the first significant history of human

the course of landscape architecture a history of our designs on - Aug 14 2023

web the course of landscape architecture a history of our designs on the natural world from prehistory to the present in many ways the history of civilization is a history of humans relationship with nature starting from the dual inclination to clear land for cultivation and

the course of landscape architecture a history of our designs on - Oct 04 2022

web roots on the origins of landscapes 2 hydraulic civilizations the geometry of water in landscapes 3 from temenos to physis sacred landscapes in greece 4 of villas

the course of landscape architecture thames hudson - Sep 03 2022

web may 2 2016 buy the course of landscape architecture a history of our designs on the natural world from prehistory to the present 01 by christophe girot isbn

the course of landscape architecture a history of our designs - Apr 29 2022

web review of the course of landscape architecture a natural history of our designs on the natural world from prehistory to the present reviewed september 2016 by barbara

the course of landscape architecture a history of our designs - Jan 07 2023

web in many ways the history of civilization is a history of our relationship with nature and landscape christophe girot sets out to chronicle this intimate connection drawing on all

the course of landscape architecture a history of our - May 11 2023

web the course of landscape architecture a natural history of our designs on the natural world from prehistory to the present by christophe girot london thames hudson

[landscape architecture İtÜ faculty of architecture](#) - Nov 24 2021

web architecture abdullah gül university agu kayseri kayseri turkey architecture faculty of art design and architecture ankara ankara turkey this page shows a

[course of landscape architecture a history of our designs on](#) - May 31 2022

web girot christophe the course of landscape architecture a history of our designs on the natural world from prehistory to the present cl thames and hudson 2014 book id

the course of landscape architecture a history of our designs on - Feb 25 2022

web jul 30 2023 availability 1 the course of landscape architecture a history of our designs on the natural world from prehistory to the present 2016 thames hudson in

master s degrees in landscape architecture in turkey - Sep 22 2021

the course of landscape architecture a natural history of our - Feb 08 2023

web the course of landscape architecture a history of our designs on the natural world from prehistory to the present christophe girot philip ursprung amazon com tr kitap

[the course of landscape architecture google books](#) - Jul 13 2023

web apr 26 2016 the course of landscape architecture a history of our designs on the natural world christophe girot national geographic books apr 26 2016 architecture

[the course of landscape architecture christophe girot w w](#) - Nov 05 2022

web nov 2 2021 the course of landscape architecture a history of our designs on the natural world from prehistory to the present by christophe girot open library not in

the course of landscape architecture professor - Jun 12 2023

web may 31 2016 the course of landscape architecture a history of our designs on the natural world from prehistory to the present girot christophe 9780500342978

the course of landscape architecture open library - Jan 27 2022

web this course presents a history of landscape architecture between 1850 and 1950 with a particular emphasis on the western world by studying the projects and writings that

the course of landscape architecture a history of our designs - Jul 01 2022

web feb 5 2016 buy course of landscape architecture a history of our designs on the natural world from prehistory to the present by girot christoph from riba online

[bachelor s degrees in landscape architecture in turkey](#) - Oct 24 2021

web landscape architecture degrees landscape architecture degrees teach students to plan design rehabilitate and preserve green areas historical sites and buildings for

history of landscape architecture i harvard graduate school of - Dec 26 2021

web itu faculty of architecture landscape architecture program aims to prepare students for a professional career built on a vision of landscape planning and design human and

the course of landscape architecture a history of our designs - Mar 09 2023

web feb 28 2017 the course of landscape architecture a natural history of our designs on the natural world from prehistory to the present landscape research 42 3 pp 334 335

the course of landscape architecture a natural history of our - Mar 29 2022

web the course of landscape architecture a history of our designs on the natural world from prehistory to the present christophe girot philip ursprung published in 2016 in london

the course of landscape architecture a natural history of our - Apr 10 2023

web feb 9 2018 the course of landscape architecture a history of our designs on the natural world from prehistory to the present kelly d cook university of maryland

the course of landscape architecture a history of our designs - Aug 02 2022

web may 2 2016 in many ways the history of civilization is a history of our relationship with nature and landscape christophe girot sets out to chronicle this intimate connection

baap beti ki emotional story in urdu hindi ek sachi kahani 5 - Sep 27 2022

web apr 17 2019 aoa baap beti ki emotional story in urdu hindi ek sachi kahani 5 million hubagar ap ko meri is video me kuch samaj nahe aya ho to ap commetns kare agar

baap aur bety ki sachi kahani emotional story of father and son - Feb 01 2023

web baapbeta baap father son urdu kahani baap beti ki kahani hindi kahani baap bete ki kahani aap ki kahani sachi kahani baap aur beti ki kahani beti ki kaha

baap beti ki anokhi sachi kahani sabaq amoz moral story kahani - Sep 08 2023

web baap beti ki anokhi sachi kahani sabaq amoz moral story kahani in urdu hindi 5 million hub 420k subscribers subscribe 27 dislike share 3 9k views 2 years ago aoa baap beti ki

baap beti ki kahani emotional story youtube - Aug 27 2022

web jan 2 2023 baap beti ki kahani emotional story loveable story suvichar hindi kahanifather daughter storybaap beti ki pyari si kahanibetiya ranimotivational stor

free download borrow and - Aug 07 2023

web mar 5 2018 topics baap beti beti ki chudai beti ko choda incest virgin girl college girl

maa bani beti ki sas very emotional kahani sabaq aamoz sachi - Jun 24 2022

web ek sachi baap beti kahani stories is available in our book collection an online access to it is set as public so you can download it instantly our digital library spans in multiple locations allowing you to get the most less latency time to

tuwaif ki beti ki sachi kahani collage girl Видео ВКонтакте - Apr 03 2023

web 98 просмотров 2 года назад youtube 5 06 moral stories in urdu hindi baap beti ki sachi kahani an emotional heart touching sad story urdu story voice 22 просмотра 2 года назад youtube 10 04 biwi ko khushi di a beautiful love story in urdu 5 million hub urdu story voice 31