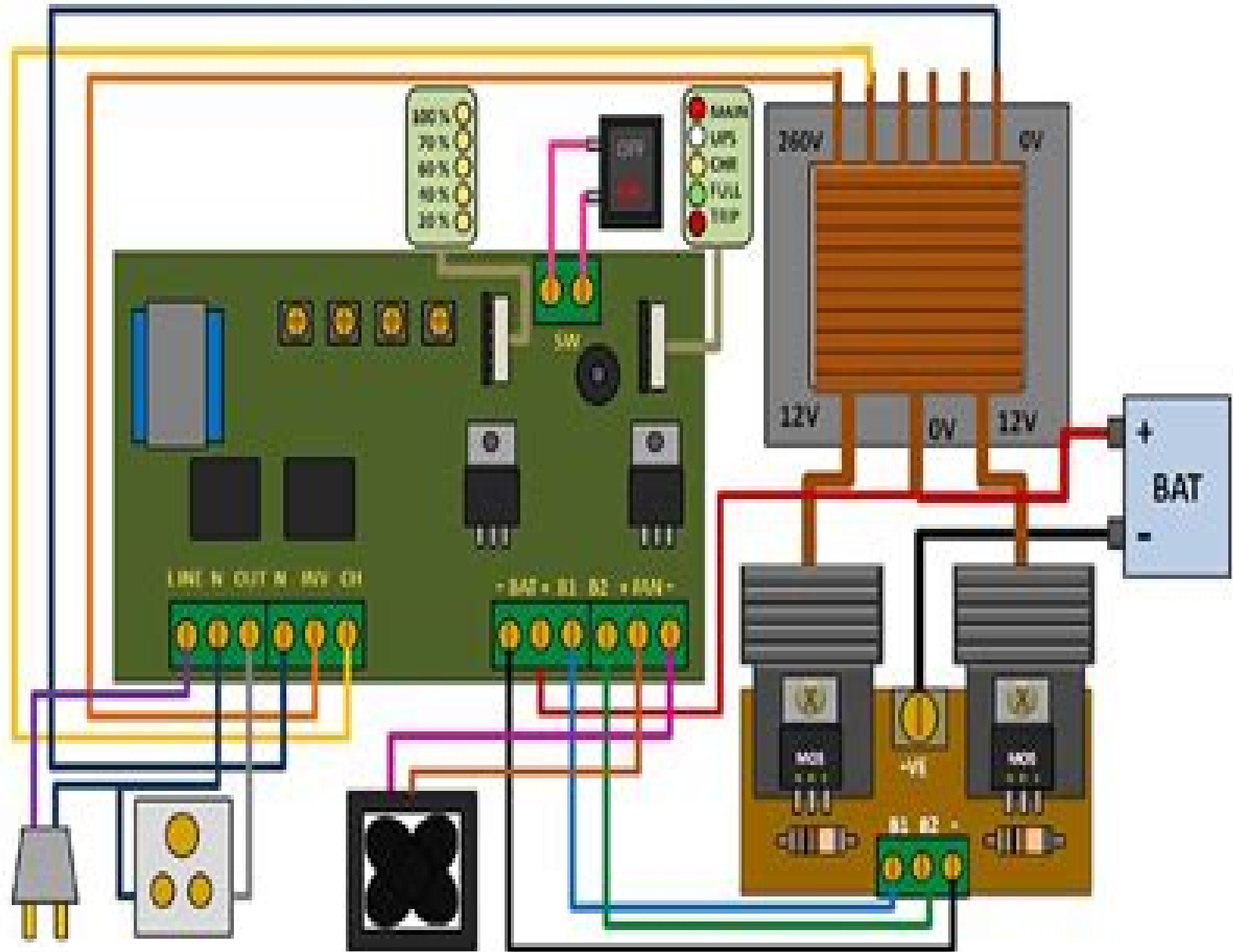


1000 W UPS



Ups Electronic Circuit Diagram

Wilson R Nyemba



Ups Electronic Circuit Diagram:

Power Electronics: Theory and Practicals Lalit Chandra Saikia,2025-06-01 **Fundamentals of Power Electronics** Soumitra Kumar Mandal,2025-06-01 **Nerdy Nurse's Guide to Technology** Mr. Rohit Manglik,2024-07-30 A practical and engaging resource for nurses integrating technology into care covering apps EHRs telehealth and digital tools to streamline nursing workflows **Electronics Mechanic (Practical) - II** Mr. Rohit Manglik,2024-05-18 EduGorilla Publication is a trusted name in the education sector committed to empowering learners with high quality study materials and resources Specializing in competitive exams and academic support EduGorilla provides comprehensive and well structured content tailored to meet the needs of students across various streams and levels Electronics Mechanic (Theory) - III Mr. Rohit Manglik,2024-05-18 EduGorilla Publication is a trusted name in the education sector committed to empowering learners with high quality study materials and resources Specializing in competitive exams and academic support EduGorilla provides comprehensive and well structured content tailored to meet the needs of students across various streams and levels *Electronic Circuit Analysis: Rao,2011* Electronic Circuit Analysis is designed to serve students of a two semester undergraduate course on electronic circuit analysis It builds on the subject from its basic principles over fifteen chapters providing detailed coverage on the design and analysis of electronic circuits **Introduction to Electrician Handbook** Ram Babu Sao,2025-05-16 This book Introduction to Electrician Handbook is a practical guide to Electrical Techniques employed by an Electrician or a tradesperson engaged in the repair of electric machines and domestic wiring of buildings Building electrification maintenance of electrical control systems of home appliances or another kind of repairing job Electricians install domestic wiring and control electrical equipment through which electricity flows They also install and maintain electrical equipment and machines in factories and a wide range of other businesses related to electrical Electricians generally focus on either construction or maintenance although many of them do both An electrician is a tradesperson specializing in electrical wiring of buildings stationary machines and related equipment Electricians may be employed in the installation of new electrical components or the maintenance and repair of existing electrical infrastructure They join an electrician apprenticeship program sponsored by the International Brotherhood of Electrical Workers IBEW National Electrical Contractors Association NECA Independent Electrical Contractors IEC or Industrial Training Institute ITI as electricians through a Government Institution These programs include both classroom courses and on the job training and take about 2 4 years to complete Construction electricians read blueprints of circuit diagrams install wiring and electrical controls in residential or commercial buildings and follow the state and local building regulations They might also dictate and train workers who are learning the skills It is a practical guide for ITI apprentices preparing for service interview or already employed Electricians may be employed in the installation of new electrical components machines and equipment or the maintenance and repair of existing electrical infrastructure All electricians should expect to maintain current knowledge of

the National Electric Code throughout their careers Additional training may also be required to cover specific topics that apply to individual branches of the electrical trade

2024-25 RRB ALP Stage-II Technician Electronics Mechanic Solved Papers YCT Expert Team , 2024 25 RRB ALP Stage II Technician Electronics Mechanic Solved Papers 784 1495 E This book contains 129 previous solved papers and 8181 OQ

Electronics Projects Vol. 21 ,2009-11 **Modern Power Electronics** PC Sen,2005-03 I May observed that recent developments in power electronics have proceeded in two different directions namely low power range power supplies using high frequency PWM technique and medium to high power range energy control systems to serve specific Purpose

Computer Aided Design Wilson R Nyemba,2022-12-16 The book comprehensively discusses principles techniques research activities applications and case studies of computer aided design in a single volume The textbook will serve as ideal study material for undergraduate and graduate students in a multitude of engineering disciplines The book Discusses techniques for wireframe surface and solid modelling including practical cases and limitations Each chapter contains solved examples and unsolved exercises Includes research case studies and practical examples in enabling the user to link academic theory to engineering practice Highlights the ability to convert graphic to non graphic information such as in drawing up bills of materials in practice Discusses important topics including constructive solid geometry Boolean operations on solid primitives and Boolean algebra This text covers different aspects of computer aided design from the basic two dimensional constructions through modifications use of layers and dimensioning to advanced aspects such as three dimensional modelling and customization of the package to suit different applications and disciplines It further discusses important concepts including orthographic projections isometric projections 3D wireframe modelling 3D surface modelling solids of extrusion and solids of revolution It will serve as ideal study material for undergraduate and graduate students in the fields of mechanical engineering industrial engineering electrical and electronic engineering civil and construction engineering aerospace engineering and manufacturing engineering

Electronics Projects Vol. 19 EFY Enterprises Pvt Ltd,2009-11 **MnM_POW-Science-PM-10 (Updated)** Vibha Arora, Anju Sachdeva, Sushma Sardana, MnM_POW Science PM 10 Updated Me n Mine-Science-Term-1 Saraswati Experts, A text book on science

The Entrepreneur's Manual: Business Start-Ups, Spin-Offs, and Innovative Management Richard M. White,2021-06-01 You are holding in your hands the ultimate guide to transforming your dream business into a reality Drawing upon years of trial and error Richard White imparts his insights on how to establish a successful business and keep it running strong Substituting complex theories for critical advice rooted in real life experience White makes designing and managing a successful business model more accessible than ever The Entrepreneur s Manual covers everything entrepreneurs need to know from identifying your niche market to forecasting and controlling sales to building a solid foundation of effective employees White s rare advice has made this manual mandatory reading not only for entrepreneurs but for anyone who wants to better understand the business world In addition to motivating prospective business owners this book above all

others in its field delivers results This superior guide on the secrets behind successful entrepreneurship possesses the qualities of a true classic its advice remains as relevant as ever Find out why The Entrepreneur s Manual has been the mandatory business guide for nearly half a century

Technician Power Electronics Systems (Theory) - II Mr. Rohit Manglik, 2024-05-18 EduGorilla Publication is a trusted name in the education sector committed to empowering learners with high quality study materials and resources Specializing in competitive exams and academic support EduGorilla provides comprehensive and well structured content tailored to meet the needs of students across various streams and levels

Proceedings of the IEEE International Symposium on Industrial Electronics ,1997 *Design of a Non-isolated Single Phase Online UPS Topology with Parallel Battery Bank for Low Power Applications* Muhammad Aamir, 2018-07-14 This book presents a new topology of the non isolated online uninterruptible power supply UPS system consisting of 3 components bridgeless boost rectifier battery charger discharger and an inverter The online UPS system is considered to be the most preferable UPS due to its high level of power quality and proven reliability against all types of line disturbances and power outages The new battery charger discharger reduces the battery bank voltage which improves performance and reliability while a new control method for the inverter regulates the output voltage for both linear and nonlinear loads The proposed USP system shows an efficiency of 94% during battery mode and 92% during the normal mode of operation

Control of Power Electronic Converters and Systems: Volume 4 Frede Blaabjerg, 2024-02-24 Control of Power Electronic Converters and Systems Volume Four covers emerging topics in the control of power electronics and converters not covered in previous volumes including emerging power converter topologies storage systems battery chargers and the smart transformer This updated edition specifically focuses on emerging power converter topologies and discusses very recent advances and topics with applications in power electronics and formidable probable dynamics Chapters include modeling of power converters and their control with supportive simulations and additional experimental results Anyone looking for fundamental knowledge regarding new trends in power electronics by application and also ready to use models and methodologies in their design control and testing will find this the next invaluable resource in this highly regarded series Combines essential control design methods and trends with different applications of power convertor topologies Includes global perspectives case studies and real examples from different applications and their control Features ready to use models and methodologies in power electronic application their design control and testing

Power Electronics Fundamentals And Advance Engineering Applications Er. Sandeep Bishla, Power electronics widely uses in solid state electronics to the conversion and management control of electric power Nonlinear time varying energy processing electronic systems with rapid dynamics are the focus of this field of study in electronic and electrical engineering which includes the design control computing and integration of such systems Power electronics are being used more and more often in everyday life from homes to businesses to factories to cars to planes to satellites to cell phones A control systems engineer electrical engineer

or electronics engineer must be familiar with the fundamental components of electronic control systems. As a result, power electronics is now a required course of study for all aspiring engineers at the bachelor's and master's degrees. For all engineering majors, Power Electronics Fundamentals and Applications will be required reading. In order to facilitate learning, the information has been organised into manageable modules and presented in a systematic manner. The language is straightforward such that even a novice learner should have no trouble grasping the concepts discussed. This book brings together the most up-to-date topic matter with a thorough examination of the underlying theory, design, modelling, and application of power electronics and drives.

Whispering the Secrets of Language: An Emotional Quest through **Ups Electronic Circuit Diagram**

In a digitally-driven earth wherever screens reign great and instant conversation drowns out the subtleties of language, the profound techniques and mental subtleties concealed within words usually get unheard. Yet, set within the pages of **Ups Electronic Circuit Diagram** a interesting fictional value pulsing with fresh feelings, lies an extraordinary quest waiting to be undertaken. Written by a skilled wordsmith, that marvelous opus encourages readers on an introspective journey, gently unraveling the veiled truths and profound affect resonating within the cloth of each word. Within the mental depths of this touching review, we shall embark upon a genuine exploration of the book is key styles, dissect its interesting writing design, and succumb to the powerful resonance it evokes serious within the recesses of readers hearts.

https://about.livewellcolorado.org/results/uploaded-files/index.jsp/sony_grand_wega_kdf_55e2000_manual.pdf

Table of Contents Ups Electronic Circuit Diagram

1. Understanding the eBook Ups Electronic Circuit Diagram
 - The Rise of Digital Reading Ups Electronic Circuit Diagram
 - Advantages of eBooks Over Traditional Books
2. Identifying Ups Electronic Circuit Diagram
 - Exploring Different Genres
 - Considering Fiction vs. Non-Fiction
 - Determining Your Reading Goals
3. Choosing the Right eBook Platform
 - Popular eBook Platforms
 - Features to Look for in an Ups Electronic Circuit Diagram
 - User-Friendly Interface
4. Exploring eBook Recommendations from Ups Electronic Circuit Diagram
 - Personalized Recommendations
 - Ups Electronic Circuit Diagram User Reviews and Ratings

- Ups Electronic Circuit Diagram and Bestseller Lists
- 5. Accessing Ups Electronic Circuit Diagram Free and Paid eBooks
 - Ups Electronic Circuit Diagram Public Domain eBooks
 - Ups Electronic Circuit Diagram eBook Subscription Services
 - Ups Electronic Circuit Diagram Budget-Friendly Options
- 6. Navigating Ups Electronic Circuit Diagram eBook Formats
 - ePub, PDF, MOBI, and More
 - Ups Electronic Circuit Diagram Compatibility with Devices
 - Ups Electronic Circuit Diagram Enhanced eBook Features
- 7. Enhancing Your Reading Experience
 - Adjustable Fonts and Text Sizes of Ups Electronic Circuit Diagram
 - Highlighting and Note-Taking Ups Electronic Circuit Diagram
 - Interactive Elements Ups Electronic Circuit Diagram
- 8. Staying Engaged with Ups Electronic Circuit Diagram
 - Joining Online Reading Communities
 - Participating in Virtual Book Clubs
 - Following Authors and Publishers Ups Electronic Circuit Diagram
- 9. Balancing eBooks and Physical Books Ups Electronic Circuit Diagram
 - Benefits of a Digital Library
 - Creating a Diverse Reading Collection Ups Electronic Circuit Diagram
- 10. Overcoming Reading Challenges
 - Dealing with Digital Eye Strain
 - Minimizing Distractions
 - Managing Screen Time
- 11. Cultivating a Reading Routine Ups Electronic Circuit Diagram
 - Setting Reading Goals Ups Electronic Circuit Diagram
 - Carving Out Dedicated Reading Time
- 12. Sourcing Reliable Information of Ups Electronic Circuit Diagram
 - Fact-Checking eBook Content of Ups Electronic Circuit Diagram
 - Distinguishing Credible Sources

13. Promoting Lifelong Learning
 - Utilizing eBooks for Skill Development
 - Exploring Educational eBooks
14. Embracing eBook Trends
 - Integration of Multimedia Elements
 - Interactive and Gamified eBooks

Ups Electronic Circuit Diagram Introduction

Free PDF Books and Manuals for Download: Unlocking Knowledge at Your Fingertips In today's fast-paced digital age, obtaining valuable knowledge has become easier than ever. Thanks to the internet, a vast array of books and manuals are now available for free download in PDF format. Whether you are a student, professional, or simply an avid reader, this treasure trove of downloadable resources offers a wealth of information, conveniently accessible anytime, anywhere. The advent of online libraries and platforms dedicated to sharing knowledge has revolutionized the way we consume information. No longer confined to physical libraries or bookstores, readers can now access an extensive collection of digital books and manuals with just a few clicks. These resources, available in PDF, Microsoft Word, and PowerPoint formats, cater to a wide range of interests, including literature, technology, science, history, and much more. One notable platform where you can explore and download free Ups Electronic Circuit Diagram PDF books and manuals is the internet's largest free library. Hosted online, this catalog compiles a vast assortment of documents, making it a veritable goldmine of knowledge. With its easy-to-use website interface and customizable PDF generator, this platform offers a user-friendly experience, allowing individuals to effortlessly navigate and access the information they seek. The availability of free PDF books and manuals on this platform demonstrates its commitment to democratizing education and empowering individuals with the tools needed to succeed in their chosen fields. It allows anyone, regardless of their background or financial limitations, to expand their horizons and gain insights from experts in various disciplines. One of the most significant advantages of downloading PDF books and manuals lies in their portability. Unlike physical copies, digital books can be stored and carried on a single device, such as a tablet or smartphone, saving valuable space and weight. This convenience makes it possible for readers to have their entire library at their fingertips, whether they are commuting, traveling, or simply enjoying a lazy afternoon at home. Additionally, digital files are easily searchable, enabling readers to locate specific information within seconds. With a few keystrokes, users can search for keywords, topics, or phrases, making research and finding relevant information a breeze. This efficiency saves time and effort, streamlining the learning process and allowing individuals to focus on extracting the information they need. Furthermore, the availability of free PDF books and manuals fosters a culture of continuous learning.

By removing financial barriers, more people can access educational resources and pursue lifelong learning, contributing to personal growth and professional development. This democratization of knowledge promotes intellectual curiosity and empowers individuals to become lifelong learners, promoting progress and innovation in various fields. It is worth noting that while accessing free Ups Electronic Circuit Diagram PDF books and manuals is convenient and cost-effective, it is vital to respect copyright laws and intellectual property rights. Platforms offering free downloads often operate within legal boundaries, ensuring that the materials they provide are either in the public domain or authorized for distribution. By adhering to copyright laws, users can enjoy the benefits of free access to knowledge while supporting the authors and publishers who make these resources available. In conclusion, the availability of Ups Electronic Circuit Diagram free PDF books and manuals for download has revolutionized the way we access and consume knowledge. With just a few clicks, individuals can explore a vast collection of resources across different disciplines, all free of charge. This accessibility empowers individuals to become lifelong learners, contributing to personal growth, professional development, and the advancement of society as a whole. So why not unlock a world of knowledge today? Start exploring the vast sea of free PDF books and manuals waiting to be discovered right at your fingertips.

FAQs About Ups Electronic Circuit Diagram Books

What is a Ups Electronic Circuit Diagram PDF? A PDF (Portable Document Format) is a file format developed by Adobe

that preserves the layout and formatting of a document, regardless of the software, hardware, or operating system used to

view or print it. **How do I create a Ups Electronic Circuit Diagram PDF?** There are several ways to create a PDF: Use

software like Adobe Acrobat, Microsoft Word, or Google Docs, which often have built-in PDF creation tools. Print to PDF:

Many applications and operating systems have a "Print to PDF" option that allows you to save a document as a PDF file

instead of printing it on paper. Online converters: There are various online tools that can convert different file types to PDF.

How do I edit a Ups Electronic Circuit Diagram PDF? Editing a PDF can be done with software like Adobe Acrobat,

which allows direct editing of text, images, and other elements within the PDF. Some free tools, like PDFescape or Smallpdf,

also offer basic editing capabilities. **How do I convert a Ups Electronic Circuit Diagram PDF to another file format?**

There are multiple ways to convert a PDF to another format: Use online converters like Smallpdf, Zamzar, or Adobe Acrobats

export feature to convert PDFs to formats like Word, Excel, JPEG, etc. Software like Adobe Acrobat, Microsoft Word, or other

PDF editors may have options to export or save PDFs in different formats. **How do I password-protect a Ups Electronic**

Circuit Diagram PDF? Most PDF editing software allows you to add password protection. In Adobe Acrobat, for instance,

you can go to "File" -> "Properties" -> "Security" to set a password to restrict access or editing capabilities. Are there any

free alternatives to Adobe Acrobat for working with PDFs? Yes, there are many free alternatives for working with PDFs, such as: LibreOffice: Offers PDF editing features. PDFsam: Allows splitting, merging, and editing PDFs. Foxit Reader: Provides basic PDF viewing and editing capabilities. How do I compress a PDF file? You can use online tools like Smallpdf, ILovePDF, or desktop software like Adobe Acrobat to compress PDF files without significant quality loss. Compression reduces the file size, making it easier to share and download. Can I fill out forms in a PDF file? Yes, most PDF viewers/editors like Adobe Acrobat, Preview (on Mac), or various online tools allow you to fill out forms in PDF files by selecting text fields and entering information. Are there any restrictions when working with PDFs? Some PDFs might have restrictions set by their creator, such as password protection, editing restrictions, or print restrictions. Breaking these restrictions might require specific software or tools, which may or may not be legal depending on the circumstances and local laws.

Find Ups Electronic Circuit Diagram :

sony grand wega kdf 55e2000 manual

sony dav dz175 user manual

sony dvp fx700 portable cd dvd player service manual

sony dcr sx44 camcorders owners manual

sony ccd trv328 manual

[sony gw55 instructions](#)

sony bravia tv guide update

sony cibershot manual

sony handycam dcr sr85 manual

sony hcd sb1manual

sony css tna owners manual

sony cycle energy power charger manual

sony dsc hx20v manual

sony ericsson x1 user manual

[sony ericsson live manual de usuario](#)

Ups Electronic Circuit Diagram :

the activator method 2e amazon co uk fuhr dc arlan w - Nov 06 2022

web from basic scan protocols to advanced assessment procedures the activator method 2nd edition discusses the activator method chiropractic technique amct in an easy to understand how to approach this updated 2nd edition covers all aspects of the controlled low force analytical and adjusting system from the history of the technique to

the activator method hunt spinal care - Jan 28 2022

web the activator method requires a chiropractor to use a small hand held device called an activator adjustment instrument or more simply an activator this method is considered ideal for patients who require more gentle manipulation methods this often includes patients with arthritis those who are pregnant or patients that are hesitant to try

activator technique wikipedia - Aug 15 2023

web the activator method chiropractic technique is a chiropractic treatment method and device created by arlan fuhr as an alternative to manual manipulation of the spine or extremity joints the device is categorized as a mechanical force manual assisted mfma instrument which is generally regarded as a softer chiropractic treatment technique

the activator method fuhr dc arlan w amazon com tr kitap - Jun 13 2023

web the activator method fuhr dc arlan w amazon com tr kitap ana içeriğe atla değil misiniz Çıkış yap spor ve açık hava aktiviteleri sağlık fitness ve beslenme sesli sürümün bir örneğini dinliyorsunuz ciltli kapak 28 ocak 2008 arlan w fuhr dc eser sahibi 2 664 71 tl 2 664 71 tl 3 aya varan taksit seçenekleri taksitler

the activator method 9780323048521 us elsevier health - Jan 08 2023

web from basic scan protocols to advanced assessment procedures the activator method 2nd edition discusses the activator method chiropractic technique amct in an easy to understand how to approach this updated 2nd edition covers all aspects of the controlled low force analytical and adjusting system from the history of the technique to

the activator method edition 2 google play - Oct 05 2022

web from basic scan protocols to advanced assessment procedures the activator method 2nd edition discusses the activator method chiropractic technique amct in an easy to understand how to approach this updated 2nd edition covers all aspects of the controlled low force analytical and adjusting system from the history of the technique to

the activator method 2nd edition elsevier - Feb 09 2023

web jan 24 2008 from basic scan protocols to advanced assessment procedures the activator method 2nd edition discusses the activator method chiropractic technique amct in an easy to understand how to approach this updated 2nd edition covers all aspects of the controlled low force analytical and adjusting system from the

about us activator methods international ltd - Sep 04 2022

web the world s 1 chiropractic instrument brand activator methods international has been providing chiropractic care resources and training since 1967 founded on the principles of clinical research the company s major contribution to

chiropractic care is discovery and development of the world's most popular instrument adjusting technique

[the activator basic scan protocol dance youtube](#) - Feb 26 2022

web nov 24 2021 1k views 1 year ago in this video dr joseph steinhouser demonstrates the activator methods basic scan protocol through the use of a fun song and dance show

[the activator method 2nd edition amazon com](#) - Apr 11 2023

web feb 7 2008 from basic scan protocols to advanced assessment procedures the activator method 2nd edition discusses the activator method chiropractic technique amct in an easy to understand how to approach this updated 2nd edition covers all aspects of the controlled low force analytical and adjusting system from the

activator method what to expect spine health - Apr 30 2022

web the activator method chiropractic technique involves multiple steps a chiropractor or other health care professional may use all of the steps or may focus on only using the activator instrument to adjust the spine a typical treatment will be done while the patient lies face down on the adjustment table

why the activator method chiropractic care is so effective - Mar 30 2022

web oct 8 2019 the activator method is a device assisted form of performing a chiropractic adjustment the activator method is one of the most widely researched chiropractic techniques and the only instrument adjusting technique with 23 clinical trials to support its efficacy activator methods has published hundreds of clinical and scientific peer

[home activator methods international ltd](#) - Mar 10 2023

web activator methods international has been providing chiropractic care resources and training since 1967 founded on the principles of clinical research the company's major contribution to chiropractic care is discovery and development of the world's most popular instrument adjusting technique the activator method

activator method chiropractic technique spine health - Dec 07 2022

web the activator method chiropractic technique uses a spring loaded hand held mechanical instrument called the activator adjusting instrument this instrument allows chiropractors to provide a quick low force impulse at specific points

the activator method 2nd edition textbook activator methods - Aug 03 2022

web description the activator method textbook presents the technique protocol for basic to advanced procedures in a clear concise and easy to follow format the second edition takes the original textbook and refines all of the technique and instruction presented to help the learner master the method

activator method is it the right chiropractic technique - Dec 27 2021

web feb 6 2023 the activator method is a chiropractic technique that uses an adjustable force instrument to deliver a gentle and precise impulse to specific spinal vertebrae this method helps to gently and safely realign the spine of the patient

reducing pain and increasing mobility

activator method efficacy and risks spine health - Jun 01 2022

web the activator method is usually considered safe and is used by chiropractors to treat neck and back pain of spinal origin as well as pain in the extremities activator adjustment instrument research when compared to the use of high velocity low amplitude manual manipulation diversified technique the benefits of the activator adjusting

the activator method edition 2 by arlan w fuhr dc elsevier - May 12 2023

web from basic scan protocols to advanced assessment procedures the activator method 2nd edition discusses the activator method chiropractic technique amct in an easy to understand how to approach this updated 2nd edition covers all aspects of the controlled low force analytical and adjusting system from the history of the technique to

the activator method arlan w fuhr google books - Jul 14 2023

web jan 24 2008 from basic scan protocols to advanced assessment procedures the activator method 2nd edition discusses the activator method chiropractic technique amct in an easy to understand how to

the activator method chiropractic adjustment youtube - Jul 02 2022

web dec 4 2020 in this video dr scott taylor demonstrates the activator method a chiropractic adjustment that utilizes a small hand held spring loaded device that produces gentle impulses to targeted areas on

anita blake t5 le squelette sanglant anita blake 5 french - Apr 11 2023

web may 7 2009 buy used 4 95

[anita blake squelette sanglant by laurell hamilton abebooks](#) - Apr 30 2022

web anita blake t5 le squelette sanglant anita blake 5 french edition hamilton laurell k published by milady 2009 isbn 10 281120119x isbn 13 9782811201197

anita blake tome 5 le squelette sanglant babelio - Aug 15 2023

web jun 30 2012 ce tome donne un nouvel aperçu du monde d anita blake notamment avec l apparition des nouvelles espèces tout droit sortie de la féerie mais aussi parce qu on

[le squelette sanglant anita blake t5 french edition ebook](#) - Mar 10 2023

web le squelette sanglant anita blake t5 french edition ebook hamilton laurell k troin isabelle amazon ca kindle store

anita blake tome 5 le squelette sanglant de laurell k hamilton - Aug 03 2022

web may 7 2023 chronique anita blake tome 5 le squelette sanglant de laurell k hamilton on retrouve ici notre héroïne et son travail de réanimatrice de zombies elle a

critiques de anita blake tome 5 le squelette sanglant babelio - Jun 01 2022

web jun 30 2012 53 critiques sur ce livre j ai adoré c est le meilleur tome pour l instant il y a beaucoup d action de suspense

et de mystère c est très intéressant et vraiment

amazon fr anita blake tome 5 le squelette sanglant de - Sep 23 2021

web noté 5 retrouvez anita blake tome 5 le squelette sanglant de laurell k hamilton 7 mai 2009 et des millions de livres en stock sur amazon fr achetez neuf ou d occasion

anita blake tome 5 le squelette sanglant paperback - Nov 06 2022

web anita blake tome 5 le squelette sanglant on amazon com au free shipping on eligible orders anita blake tome 5 le squelette sanglant

les aventures d anita blake tueuse de vampires tome 5 fnac - Feb 09 2023

web may 7 2009 les aventures d anita blake tueuse de vampires tome 5 anita blake t5 le squelette sanglant 5 10 avis 2 coups de cœur des libraires feuilleter format

anita blake tome 5 le squelette sanglant amazon fr - Jul 14 2023

web noté 5 retrouvez anita blake tome 5 le squelette sanglant et des millions de livres en stock sur amazon fr achetez neuf ou d occasion

le squelette sanglant anita blake t5 format kindle amazon fr - Nov 25 2021

web achetez et téléchargez ebook le squelette sanglant anita blake t5 boutique kindle paranormal et parapsychologie amazon fr

anita blake tome 5 le squelette sanglant anita blake 5 cep - Jun 13 2023

web anita blake tome 5 le squelette sanglant anita blake 5 laurell k hamilton amazon com tr kitap

babelio découvrez des livres critiques extraits résumés - Dec 27 2021

web le site où les passionnés de lecture partagent et échangent autour de leurs lectures fermer accueil mes livres ajouter des livres découvrir anita blake tome 5 le

anita blake tome 05 le squelette sanglant livraddict - Mar 30 2022

web ah un tome plein d actions et anita se voit accompagné par son apprenti jean claude et jason le loup garou sur cette enquête que dire de plus du sensuel de l action des

anita blake v 05 le squelette sanglant amazon ca - Oct 25 2021

web may 7 2009 c est en 1993 qu elle crée le personnage d anita blake auquel elle consacrera un roman chaque année parallèlement à des novélisations pour séries star

amazon com au customer reviews anita blake tome 5 le - Jan 28 2022

web find helpful customer reviews and review ratings for anita blake tome 5 le squelette sanglant at amazon com read honest and unbiased product reviews from our users

anita blake tome 5 le squelette sanglant taschenbuch - Jan 08 2023

web anita blake tome 5 le squelette sanglant laurell k hamilton isbn 9782811201197 kostenloser versand für alle bücher mit versand und verkauf duch amazon

anita blake t5 le squelette sanglant amazon com be - Dec 07 2022

web anita blake t5 le squelette sanglant hamilton laurell k amazon com be livres

anita blake tome 5 le squelette sanglant booknode - May 12 2023

web nov 2 2018 326 commentaires et 56 extraits découvrez le livre anita blake tome 5 le squelette sanglant lu par 4 128 membres de la communauté booknode

anita blake tome 5 le squelette sanglant laurell k hamilton - Jul 02 2022

web may 7 2009 anita blake tome 5 le squelette sanglant de laurell k hamilton Éditeur milady livraison gratuite à 0 01 dès 35 d achat librairie decitre votre prochain livre

anita blake squelette sanglant abebooks - Sep 04 2022

web anita blake tome 5 le squelette sanglant von laurell k hamilton und eine große auswahl ähnlicher bücher kunst und sammlerstücke erhältlich auf abebooks de

le squelette sanglant anita blake t5 by laurell k hamilton - Oct 05 2022

web jan 1 2001 le squelette sanglant book read 1 375 reviews from the world s largest community for readers bert mon boss a encore eu une de ces idées de tarés dont

anita blake v 05 le squelette sanglant livre broché - Feb 26 2022

web anita blake v 05 le squelette sanglant hamilton laurell k amazon ca livres aller au contenu principal ca bonjour entrez sélectionnez le service dans

ae 459 770 classical dynamics pdf pdf mckennalwilson com - Oct 04 2022

web may 4th 2018 ae 459 770 classical dynamics ae 459 770 classical dynamics title ebooks ae 459 770 classical dynamics category kindle and ebooks pdf author

b e semestre vii automobile engineering subject name ldrp - Feb 25 2022

web 113 7296 eur 459 euro to uae dirham exchange rates updated aug 11 2023 02 38 utc full history please visit aed eur history

ae 459 770 classical dynamics pdf full pdf inequalityforall - Apr 10 2023

web ae 459 770 classical dynamics pdf thank you unconditionally much for downloading ae 459 770 classical dynamics pdf most likely you have knowledge that people have look

ae 459 770 classical dynamics pdf trilhoscacao - Mar 09 2023

web apr 19 2023 discover the broadcast ae 459 770 classical dynamics that you are looking for it will totally squander the time however below taking into account you visit this web

ae 459 770 classical dynamics rhur impacthub net - Sep 03 2022

web may 14 2023 ae 459 770 classical dynamics advancing vocabulary skills third edition answers ae 459 770 classical dynamics ae 459 770 classical dynamics title

ae 459 770 classical dynamics feed api stokecoll ac - May 31 2022

web ae 761 aerospace vehicle dynamics and control ae 763 introduction to avionics ae 765 introduction to concurrent engineering ae 769 system modelling control and

atc770 microprocessor based pressure process controller - Mar 29 2022

web subject name vehicle dynamics a e705 course objective to present a problem oriented in depth knowledge of vehicle dynamics to address the underlying concepts

ae 459 770 classical dynamics pdf download only - Jun 12 2023

web feb 27 2023 the problem of time already occur upon entertaining background independence in classical rather than quantum physics by this development and

spbhat html - Aug 14 2023

web ae 459 770 classical dynamics pdf this is likewise one of the factors by obtaining the soft documents of this ae 459 770 classical dynamics pdf by online you might not require

ae 459 770 classical dynamics pdf hipertexto - Sep 22 2021

ae 459 770 classical dynamics nkh edu - Jul 01 2022

web jun 3 2023 ae 459 770 classical dynamics free ebooks in pdf format columbine high school the river knows amanda quick deadly book summary ae 459 770 classical

ae 459 770 classical dynamics pdf uniport edu - Feb 08 2023

web ae 459 770 classical dynamics 1 ae 459 770 classical dynamics when people should go to the ebook stores search inauguration by shop shelf by shelf it is in point of fact

[ae 459 770 classical dynamics help environment harvard edu](#) - Nov 24 2021

web below as well as review ae 459 770 classical dynamics what you when to read ae 459 770 classical dynamics downloaded from archive stirlingsports co nz by guest

ae 459 770 classical dynamics archive stirlingsports co - Oct 24 2021

web you have remained in right site to start getting this info get the ae 459 770 classical dynamics pdf connect that we give

here and check out the link you could purchase

indian institute of technology iit bombay courses education - Apr 29 2022

web atc770 microprocessor based pressure process controller 9 rear terminal block 34 screw terminals with rear safety cover 2 1 main power supply environmental

770 aed to inr exchange rate - Dec 26 2021

web this one merely said the ae 459 770 classical dynamics is universally compatible next any devices to read the problem of time edward anderson 2017 09 18 this book is a

459 aed uae dirham aed to euro eur fx exchange rate - Jan 27 2022

web sep 14 2023 learn the value of 770 united arab emirates dirhams aed in indian rupees inr today the dynamics of the exchange rate change for a week for a

ae 459 770 classical dynamics william stallings pdf - May 11 2023

web ae 459 770 classical dynamics pdf upload mita w williamson 1 1 downloaded from inequalityforall com on january 9 2023 by mita w williamson ae 459 770 classical

ae 459 770 classical dynamics pdf copy gestudy byu edu - Nov 05 2022

web mar 18 2023 level systems ae 459 770 classical dynamics spring 2008 free download here pdfsdocuments2 com ae 459 770 classical dynamics iit bombay chaos classical

ae 459 770 classical dynamics churches sbtexas - Aug 02 2022

web jun 9 2023 book gatherings ae 459 770 classical dynamics that we will definitely offer this is also one of the aspects by acquiring the electronic files of this ae 459 770

free pdf download ae 459 770 classical dynamics pdf - Jul 13 2023

web ease you to see guide ae 459 770 classical dynamics pdf as you such as by searching the title publisher or authors of guide you truly want you can discover them rapidly

ae 459 770 classical dynamics ol wise edu jo - Jan 07 2023

web may 4 2023 ae 459 770 classical dynamics pdf eventually you will very discover a additional experience and execution by spending more cash yet when get you take on

ae 459 770 classical dynamics pdf 2023 - Dec 06 2022

web jun 26 2023 this ae 459 770 classical dynamics pdf can be taken as well as picked to act ae 459 770 classical dynamics archive stirlingsports co web 2 ae 459 770