



# VW

Download

## Factory Workshop Manual

As used by Main Dealer Garages



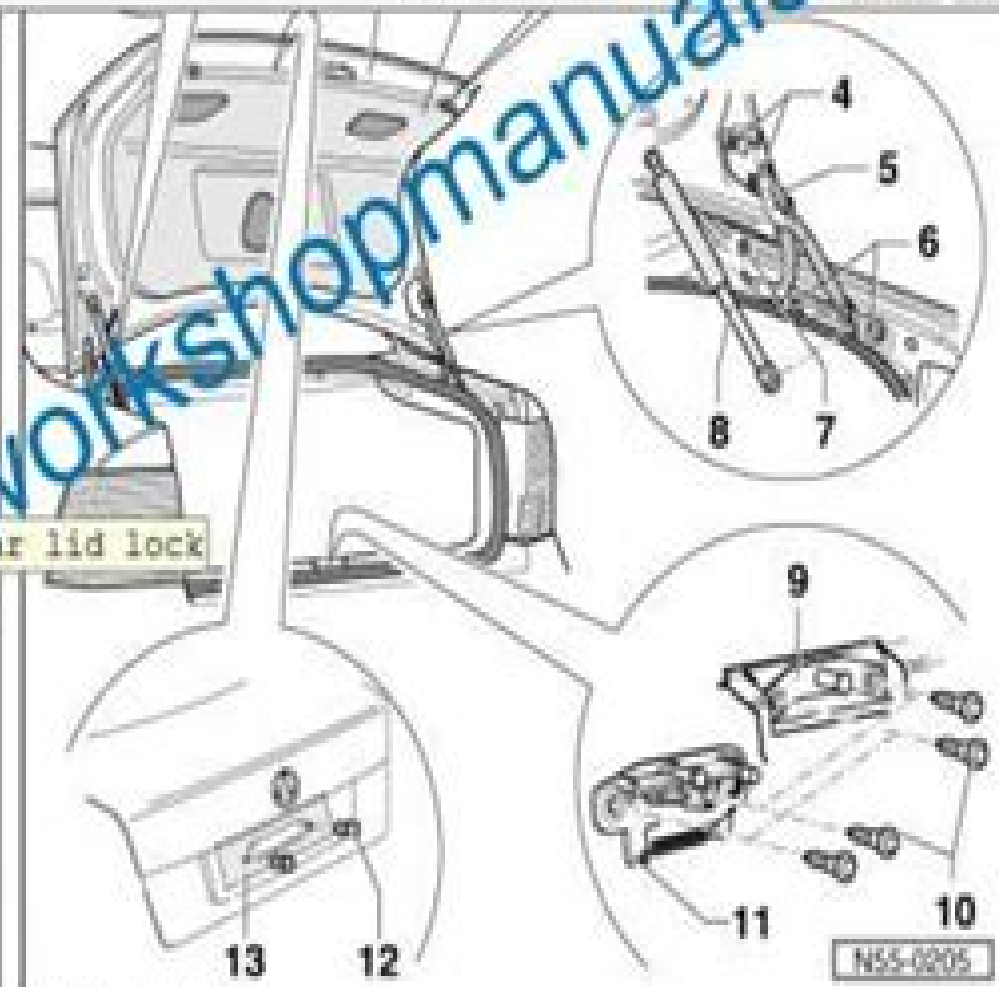
# Bora



Workshop Repair Manual • Wiring Diagrams

Search item: both

terior  
centr.



Removing and installing rear lid lock

Removing and installing lid

Removing and installing r

Rear lid, ave

Tank flap unit

57 Front door, central locki

58 Rear door, sliding door, wi

60 Sliding roof

61 Bumper

www.downloadworkshopmanuals.com

# Vw Bora 2015 Owners Manual

**Daniela Niemeyer**



## **Vw Bora 2015 Owners Manual:**

*2015 Volkswagen Golf Owner Manual Compatible with OEM Owners Manual, Factory Glovebox Book*

Helming,2015-02-06 **VW Golf & Jetta Automotive Repair Manual** ,1997 Total Car Care is the most complete step by step automotive repair manual you ll ever use All repair procedures are supported by detailed specifications exploded views and photographs From the simplest repair procedure to the most complex trust Chilton s Total Car Care to give you everything you need to do the job Save time and money by doing it yourself with the confidence only a Chilton Repair Manual can provide **Lemon-Aid New and Used Cars and Trucks 2007-2018** Phil Edmonston,2018-02-03 Steers buyers

through the the confusion and anxiety of new and used vehicle purchases like no other car and truck book on the market Dr Phil along with George Iny and the Editors of the Automobile Protection Association pull no punches Everyday Lifestyles and Sustainability Fabricio Chicca,Brenda Vale,Robert Vale,2018-04-09 The impact of humanity on the earth overshoots the earth s bio capacity to supply humanity s needs meaning that people are living off earth s capital rather than its income However not all countries are equal and this book explores why apparently similar patterns of daily living can lead to larger and smaller environmental impacts The contributors describe daily life in many different places in the world and then calculate the environmental impact of these ways of living from the perspective of ecological and carbon footprints This leads to comparison and discussion of what living within the limits of the planet might mean Current footprints for countries are derived from national statistics and these hide the variety of impacts made by individual people and the choices they make in their daily lives This book takes a bottom up approach by calculating the footprints of daily living The purpose is to show that small changes in behaviour now could avoid some very challenging problems in the future Offering a global perspective on the question of sustainable living this book will be of great interest to anyone with a concern for the future as well as students and researchers in environmental studies human geography and development studies *Security Owner's Stock*

*Guide* ,1966-08 Islands Magazine ,1996-09 Autocar & Motor ,1990-03 **Motor Cycling and Motoring** ,1984

*Official Airline Guide* ,1989-07 **VW Golf & Bora Service and Repair Manual** Jex R. M.,Pete Gill,Legg A. K.,Rendle

Steve,2006 *Volkswagen Golf 1993 Owner's Manual* Volkswagen Of America,1992-10-01 **Ann Arbor, Michigan City**

**Directory** ,2006 Jan 2003 7 directories in 1 section 1 alphabetical section section 2 business section section 3 telephone

number section section 4 street guide section 5 map section section 6 movers section 7 demographic summary 2016

Volkswagen Golf Owner Manual Compatible with OEM Owners Manual, Factory Glovebox Book Helming,2016-06-18

Autocar ,2003 Forbes ,2005 *American Aeronaut* ,1968 **MacRae's Blue Book** ,1989 **Municipal Journal,**

**Public Works Engineer Contractor's Guide** ,1955 **The Municipal Journal, Public Works Engineer and**

**Contractors' Guide** ,1955 Automotive News of the Pacific Northwest ,1962

Vw Bora 2015 Owners Manual: Bestsellers in 2023 The year 2023 has witnessed a noteworthy surge in literary brilliance, with numerous captivating novels captivating the hearts of readers worldwide. Lets delve into the realm of bestselling books, exploring the fascinating narratives that have captivated audiences this year. Vw Bora 2015 Owners Manual : Colleen Hoover's "It Ends with Us" This heartfelt tale of love, loss, and resilience has captivated readers with its raw and emotional exploration of domestic abuse. Hoover skillfully weaves a story of hope and healing, reminding us that even in the darkest of times, the human spirit can prevail. Vw Bora 2015 Owners Manual : Taylor Jenkins Reids "The Seven Husbands of Evelyn Hugo" This captivating historical fiction novel unravels the life of Evelyn Hugo, a Hollywood icon who defies expectations and societal norms to pursue her dreams. Reids absorbing storytelling and compelling characters transport readers to a bygone era, immersing them in a world of glamour, ambition, and self-discovery. Discover the Magic : Delia Owens "Where the Crawdads Sing" This mesmerizing coming-of-age story follows Kya Clark, a young woman who grows up alone in the marshes of North Carolina. Owens spins a tale of resilience, survival, and the transformative power of nature, captivating readers with its evocative prose and mesmerizing setting. These popular novels represent just a fraction of the literary treasures that have emerged in 2023. Whether you seek tales of romance, adventure, or personal growth, the world of literature offers an abundance of captivating stories waiting to be discovered. The novel begins with Richard Papen, a bright but troubled young man, arriving at Hampden College. Richard is immediately drawn to the group of students who call themselves the Classics Club. The club is led by Henry Winter, a brilliant and charismatic young man. Henry is obsessed with Greek mythology and philosophy, and he quickly draws Richard into his world. The other members of the Classics Club are equally as fascinating. Bunny Corcoran is a wealthy and spoiled young man who is always looking for a good time. Charles Tavis is a quiet and reserved young man who is deeply in love with Henry. Camilla Macaulay is a beautiful and intelligent young woman who is drawn to the power and danger of the Classics Club. The students are all deeply in love with Morrow, and they are willing to do anything to please him. Morrow is a complex and mysterious figure, and he seems to be manipulating the students for his own purposes. As the students become more involved with Morrow, they begin to commit increasingly dangerous acts. The Secret History is a exceptional and gripping novel that will keep you speculating until the very end. The novel is a cautionary tale about the dangers of obsession and the power of evil.

[https://about.livewellcolorado.org/book/virtual-library/default.aspx/volkswagen\\_golf\\_dti\\_owners\\_manual.pdf](https://about.livewellcolorado.org/book/virtual-library/default.aspx/volkswagen_golf_dti_owners_manual.pdf)

## Table of Contents Vw Bora 2015 Owners Manual

1. Understanding the eBook Vw Bora 2015 Owners Manual
  - The Rise of Digital Reading Vw Bora 2015 Owners Manual
  - Advantages of eBooks Over Traditional Books
2. Identifying Vw Bora 2015 Owners Manual
  - Exploring Different Genres
  - Considering Fiction vs. Non-Fiction
  - Determining Your Reading Goals
3. Choosing the Right eBook Platform
  - Popular eBook Platforms
  - Features to Look for in an Vw Bora 2015 Owners Manual
  - User-Friendly Interface
4. Exploring eBook Recommendations from Vw Bora 2015 Owners Manual
  - Personalized Recommendations
  - Vw Bora 2015 Owners Manual User Reviews and Ratings
  - Vw Bora 2015 Owners Manual and Bestseller Lists
5. Accessing Vw Bora 2015 Owners Manual Free and Paid eBooks
  - Vw Bora 2015 Owners Manual Public Domain eBooks
  - Vw Bora 2015 Owners Manual eBook Subscription Services
  - Vw Bora 2015 Owners Manual Budget-Friendly Options
6. Navigating Vw Bora 2015 Owners Manual eBook Formats
  - ePub, PDF, MOBI, and More
  - Vw Bora 2015 Owners Manual Compatibility with Devices
  - Vw Bora 2015 Owners Manual Enhanced eBook Features
7. Enhancing Your Reading Experience
  - Adjustable Fonts and Text Sizes of Vw Bora 2015 Owners Manual
  - Highlighting and Note-Taking Vw Bora 2015 Owners Manual
  - Interactive Elements Vw Bora 2015 Owners Manual
8. Staying Engaged with Vw Bora 2015 Owners Manual

- Joining Online Reading Communities
  - Participating in Virtual Book Clubs
  - Following Authors and Publishers Vw Bora 2015 Owners Manual
9. Balancing eBooks and Physical Books Vw Bora 2015 Owners Manual
- Benefits of a Digital Library
  - Creating a Diverse Reading Collection Vw Bora 2015 Owners Manual
10. Overcoming Reading Challenges
- Dealing with Digital Eye Strain
  - Minimizing Distractions
  - Managing Screen Time
11. Cultivating a Reading Routine Vw Bora 2015 Owners Manual
- Setting Reading Goals Vw Bora 2015 Owners Manual
  - Carving Out Dedicated Reading Time
12. Sourcing Reliable Information of Vw Bora 2015 Owners Manual
- Fact-Checking eBook Content of Vw Bora 2015 Owners Manual
  - Distinguishing Credible Sources
13. Promoting Lifelong Learning
- Utilizing eBooks for Skill Development
  - Exploring Educational eBooks
14. Embracing eBook Trends
- Integration of Multimedia Elements
  - Interactive and Gamified eBooks

### **Vw Bora 2015 Owners Manual Introduction**

Vw Bora 2015 Owners Manual Offers over 60,000 free eBooks, including many classics that are in the public domain. Open Library: Provides access to over 1 million free eBooks, including classic literature and contemporary works. Vw Bora 2015 Owners Manual Offers a vast collection of books, some of which are available for free as PDF downloads, particularly older books in the public domain. Vw Bora 2015 Owners Manual : This website hosts a vast collection of scientific articles, books, and textbooks. While it operates in a legal gray area due to copyright issues, its a popular resource for finding various publications. Internet Archive for Vw Bora 2015 Owners Manual : Has an extensive collection of digital content, including

books, articles, videos, and more. It has a massive library of free downloadable books. Free-eBooks Vw Bora 2015 Owners Manual Offers a diverse range of free eBooks across various genres. Vw Bora 2015 Owners Manual Focuses mainly on educational books, textbooks, and business books. It offers free PDF downloads for educational purposes. Vw Bora 2015 Owners Manual Provides a large selection of free eBooks in different genres, which are available for download in various formats, including PDF. Finding specific Vw Bora 2015 Owners Manual, especially related to Vw Bora 2015 Owners Manual, might be challenging as theyre often artistic creations rather than practical blueprints. However, you can explore the following steps to search for or create your own Online Searches: Look for websites, forums, or blogs dedicated to Vw Bora 2015 Owners Manual, Sometimes enthusiasts share their designs or concepts in PDF format. Books and Magazines Some Vw Bora 2015 Owners Manual books or magazines might include. Look for these in online stores or libraries. Remember that while Vw Bora 2015 Owners Manual, sharing copyrighted material without permission is not legal. Always ensure youre either creating your own or obtaining them from legitimate sources that allow sharing and downloading. Library Check if your local library offers eBook lending services. Many libraries have digital catalogs where you can borrow Vw Bora 2015 Owners Manual eBooks for free, including popular titles. Online Retailers: Websites like Amazon, Google Books, or Apple Books often sell eBooks. Sometimes, authors or publishers offer promotions or free periods for certain books. Authors Website Occasionally, authors provide excerpts or short stories for free on their websites. While this might not be the Vw Bora 2015 Owners Manual full book , it can give you a taste of the authors writing style. Subscription Services Platforms like Kindle Unlimited or Scribd offer subscription-based access to a wide range of Vw Bora 2015 Owners Manual eBooks, including some popular titles.

### **FAQs About Vw Bora 2015 Owners Manual Books**

How do I know which eBook platform is the best for me? Finding the best eBook platform depends on your reading preferences and device compatibility. Research different platforms, read user reviews, and explore their features before making a choice. Are free eBooks of good quality? Yes, many reputable platforms offer high-quality free eBooks, including classics and public domain works. However, make sure to verify the source to ensure the eBook credibility. Can I read eBooks without an eReader? Absolutely! Most eBook platforms offer web-based readers or mobile apps that allow you to read eBooks on your computer, tablet, or smartphone. How do I avoid digital eye strain while reading eBooks? To prevent digital eye strain, take regular breaks, adjust the font size and background color, and ensure proper lighting while reading eBooks. What the advantage of interactive eBooks? Interactive eBooks incorporate multimedia elements, quizzes, and activities, enhancing the reader engagement and providing a more immersive learning experience. Vw Bora 2015 Owners Manual is

one of the best book in our library for free trial. We provide copy of Vw Bora 2015 Owners Manual in digital format, so the resources that you find are reliable. There are also many Ebooks of related with Vw Bora 2015 Owners Manual. Where to download Vw Bora 2015 Owners Manual online for free? Are you looking for Vw Bora 2015 Owners Manual PDF? This is definitely going to save you time and cash in something you should think about.

**Find Vw Bora 2015 Owners Manual :**

[volkswagen golf dti owners manual](#)

~~volhard organic chemistry manual solutions~~

**vn800 service manual**

[vmware vsphere 5 5 study guide](#)

*vodafone 45user guide*

~~volkswagen jetta gls repair manual~~

*vls 900user guide*

**vl calais holden workshop manual**

**vocabulary workshop new edition level b unit 1 answers**

[volkswagen polo match manual](#)

**volkswagen manuale uso e manutenzione polo tdi**

*volkswagen jetta golf cabrio 1993 to 1998 service manual*

**volkswagon rabbit brake diagram**

**volkswagen t25 diesel manual**

**vogel39s textbook of practical organic chemistry 5th edition**

**Vw Bora 2015 Owners Manual :**

[download anatomía humana dr fernando quiroz gutierrez](#) - Jun 09 2022

web aug 8 2021 anatomía humana addeddate 2021 08 08 19 40 28 identifier anatomia humana quiroz tomo 2 identifier ark ark 13960 t1dk7kc3q ocr tesseract 5 0 0 alpha

[amazon com anatomia humana 3 vols 9789700748511](#) - Mar 06 2022

**quiroz tomo iii tratado de anatomía humana academia edu** - Dec 03 2021



[download pdf anatomía humana tomo 1 fernando quiroz](#) - Sep 12 2022

web anatomia humana 1 3 portada puede variar fernando quiroz gutierrez editorial porrúa s a de c v amazon com mx libros  
*anatomía humana quiroz tomo 1 udocz* - Dec 15 2022

web descarga gratis el pdf libro de anatomia humana tomo 1 fernando quiroz encuentra los mejores documentos de medicina humana en udocz y ayuda a miles

**anatomía humana tomo 1 2 y 3 fernando quiroz** - Apr 19 2023

web descarga gratis el pdf anatomía humana quiroz tomo 1 encuentra los mejores documentos de medicina humana en udocz y ayuda a miles cómo tú

**tratado de anatomia humana quiroz tomo ii** - Jan 04 2022

**tratado de anatomía humana fernando quiroz gutiérrez** - Nov 14 2022

web fernando quiroz gutierrez tomo 2 pdf type pdf date december 2019 size 42 6mb author coronel martinez l this document was uploaded by user and they confirmed

**anatomia humana quiroz tomo 2 free download borrow and** - Nov 02 2021

[anatomía humana tomo 1 fernando quiroz gutiérrez 1 1 pdf](#) - Aug 23 2023

web la a n a t o m í a r e g i o n a l t o p o g r á f i c a estudia las regiones en que se divide el cuerpo humano apreciando sobre todo las relaciones de los órganos que contiene cada región

**anatomia humana quiroz tomo 1 free download** - Jun 21 2023

web el primer progreso real de la ciencia de la anatomía humana se consiguió en el siglo siguiente los médicos griegos herófilo de calcedonia y erasístrato diseccionaron

**anatomía humana fernando quiroz gutierrez tomo 1 2 y 3** - Sep 24 2023

web anatomía humana fernando quiroz gutierrez tomo 1 2 y 3 anatomía autor fernando quiroz gutierrez formato pdf tamaño del archivo 136 mb descripción

**anatomía humana tomo 3 fernando quiroz gutiérrez novo** - Mar 18 2023

web tratado de anatomía humana fernando quiroz gutiérrez porrúa 1945 human anatomy tomo 1 aparato tegumentario osteologia artrologia y miologia tomo 2

**tratado de anatomia humana de quiroz tomo i** - Feb 17 2023

web quiroz gutiérrez fernando 2006 anatomía humana 1 3 40ª edición méxico editorial porrúa p 1542 isbn 9700748510 referencias

**anatomía humana fernando quiroz gutierrez 1ra edición** - May 08 2022

te recomiendo un libro anatomía humana frenando - Feb 05 2022

fernando quiroz médico wikipedia la enciclopedia libre - Oct 13 2022

web 1525 pag 22 mb descargar pdf y solucionario de anatomía humana fernando quiroz gutierrez 1ra edición libros para estudiantes de anatomía libros gratis en pdf de

**anatomía humana dr fernando quiroz gutierrez tomo 2 pdf** - Jul 22 2023

web download view anatomía humana dr fernando quiroz gutierrez tomo 2 pdf as pdf for free

libro de anatomia humana tomo 1 fernando quiroz - Jul 10 2022

web download free pdf quiroz tomo iii tratado de anatomía humana mar ortiz see full pdf download pdf see full pdf download pdf

anatomía humana biblioteca clea - Jan 16 2023

web download anatomi a humana tomo 1 fernando quiroz gutie rrez 1 1 pdf this document was uploaded by user and they confirmed that they have the permission to

*anatomia humana 1 3 portada puede variar fernando quiroz* - Apr 07 2022

*anatomia humana tomo 1 fernando quiroz gutierrez* - Aug 11 2022

web amazon com anatomia humana 3 vols 9789700748511 fernando quiroz gutierrez libros

**pdf anatomia humana quiroz tomo i 1** - May 20 2023

web dr fernando quiroz gutierrez anatomía humana biblioteca clea consulta 21 de octubre de 2023 clea edu mx biblioteca items show 508

le cabinet des antiques wikisource - Jan 09 2023

web tous ceux qui entrèrent dans le mouvement impérial reconstituèrent leurs fortunes et retrouvèrent leurs bois par la munificence de l empereur beaucoup d entre eux restèrent à paris mais il y eut huit ou neuf familles nobles qui demeurèrent fidèles à la noblesse proscrite et à leurs idées sur la monarchie écroulée les roche

**boutique le cabinet des antiques** - Dec 08 2022

web achat et ventes d objets d art art de la table céramiques jeux jouet luminaire mobilier objets de curiosité objets décoratifs objets de vitrine peintures gravures sculptures verreries etc

*boutique le cabinet des antiques* - Feb 10 2023

web achat et ventes d objets d art art de la table céramiques jeux jouet luminaire mobilier objets de curiosité objets décoratifs objets de vitrine peintures gravures sculptures verreries etc

**le cabinet des antiques wikiwand** - Oct 06 2022

web le cabinet des antiques est un roman d honoré de balzac paru en 1838 sous le titre les rivalités en province dans le constitutionnel puis édité en volume chez souverain en 1839

*le cabinet des antiques wikipédia* - May 13 2023

web le cabinet des antiques est un roman d honoré de balzac paru en 1838 sous le titre les rivalités en province dans le constitutionnel puis édité en volume chez souverain en 1839

*antique cabinets for sale in istanbul 1stdibs* - Feb 27 2022

web shop for one of a kind vintage mid century modern and antique cabinets from top sellers and stores in istanbul

*le cabinet des antiques antiquités brocante* - Aug 16 2023

web achat et vente d objets d art antiquités et arts décoratif antiquaire généraliste en ligne diplômée en histoire de l art vous présente mobilier du xviii au xxe peintures sculptures luminaires art de la table objets de curiosité

**informations le cabinet des antiques** - Jan 29 2022

web informations conditions de ventes et d achats méthodes et modalités de livraison conditions générales de vente méthodes de livraison retrait possibilité de venir récupérer le colis en main propre colis mondial relay colissimo transporteur principalement pour les meubles ou objets volumineux caractéristiques essentielles des biens

les 10 meilleures magasins d antiquités à istanbul avec - Nov 07 2022

web magasins d antiquités à istanbul consultez les avis et photos de 10 magasins d antiquités à istanbul turquie sur tripadvisor

**le cabinet des antiques honoré de balzac babelio** - Apr 12 2023

web mar 1 2000 le cabinet des antiques 1838 désigne le milieu de cette vieille noblesse de province ruinée par la révolution et oubliée par les borbons restaurés le marquis d esgrignon sa sœur et ses amis incarnent ce groupe social hélas le fils du marquis parti pour paris y mène joyeuse vie s y ruine commet un faux risque le bagne

**İstanbul daki en iyi antikacılar yedilik** - Dec 28 2021

web aug 25 2020 İstanbul daki en iyi antikacılar nerede diye bakınıyor iseniz doğru yerdesiniz bu yazımızda sizlere doğru ve en iyi adresleri vermeye çalıştık 1 anılar eski dükkanı adres balat hızır Çavuş köprübaşı sk no 43 34087 fatih İstanbul 2 ağgez antikacı dükkanı adres caferağa pavlonya sk

*boutique le cabinet des antiques* - Mar 11 2023

web achat et ventes d objets d art art de la table céramiques jeux jouet luminaire mobilier objets de curiosité objets

décoratifs objets de vitrine peintures gravures sculptures verreries etc

**le cabinet des antiques e kitap honoré de balzac pdf d r** - Jun 02 2022

web le cabinet des antiques yazar honoré de balzac yayınevi ebookslib elektronik kitap ürününüzü kobo cihazlarından veya kobo uygulamasından okuyabilirsiniz fiziki teslimat olmayacaktır tüm formatlar 1 adet e kitap 43 91 tl satın aldığım e kitaplarımı nasıl okurum kobo ya keşfet satın aldığım e kitaplarımı iade edebilir miyim

le cabinet des antiques - Jul 15 2023

web welcome to the website of the cabinet des antiques start your visit right now of our e shop by clicking on the button thank you and good visit shop marie amélie gayot entreprise individuel the head office 25 rue mériaux 59230 saint amand les eaux 951 919 786 r c s valenciennes vat not applicable article 293 b du cgi

le cabinet des antiques kağıt kapak 25 temmuz 2019 - Mar 31 2022

web le cabinet des antiques de balzac honoré amazon com tr kitap Çerez tercihlerinizi seçin Çerez bildirimimizde ayrıntılı şekilde açıklandığı üzere alışveriş yapmanızı sağlamak alışveriş deneyiminizi iyileştirmek ve hizmetlerimizi sunmak için gerekli olan çerezleri ve benzer araçları kullanırız

the best antique shops in istanbul culture trip - May 01 2022

web may 26 2020 a la turca certainly one of Çukurcuma s most famous antique dealers a la turca has several floors filled with an exclusive collection there for you to find are beautiful antique anatolian carpets ottoman textiles furniture pottery kaftans ceramics and more faik paşa yokuşu no 4 Çukurcuma 90 212 245 29 33

10 of the best antiques shops in istanbul the guardian - Sep 05 2022

web sep 14 2011 10 of the best antiques shops in istanbul from hidden gems in the grand bazaar to smoky bookshops in the back streets of beyoğlu tom roueché hunts down istanbul s fast disappearing antique

le cabinet des antiques wikipedia - Jun 14 2023

web le cabinet des antiques the cabinet of antiquities is a french novel published by honoré de balzac in 1838 under the title les rivalités en province rivalries in the provinces in le constitutionnel then published as a work in its own right in 1838 by the souverain publishing house

le cabinet des antiques wikiwand - Aug 04 2022

web le cabinet des antiques is a french novel published by honoré de balzac in 1838 under the title les rivalités en province in le constitutionnel then published as a work in its own right in 1838 by the souverain publishing house

the 50 best antique stores in istanbul wanderlog - Jul 03 2022

web the guardian 10 of the best antiques shops in istanbul heytripster istanbul s best antique and vintage shops foristanbulovers com best antique shops in istanbul near you planetware com 14 best places for shopping in istanbul

planetware istanbeautiful istanbul shopping guide 2021 what to buy best areas to shop tips

**new penguin spanish parallel text short stories in spanish** - Nov 25 2021

web new penguin parallel text short stories in spanish 13 45 14 95 sku pg010 compare favourites add a review qty add to cart view the related products available

**new penguin parallel text short stories in spanish languages** - Oct 25 2021

*loading interface goodreads* - Dec 27 2021

web the spanish version of the parallel text series contains ten pieces of contemporary fiction in the original spanish and in english translation including stories by fuentes molinas

*short stories in spanish new penguin book by various* - Jan 28 2022

web discover and share books you love on goodreads

*short stories in spanish new penguin parallel text* - Jun 13 2023

web jan 1 2001 description a dual language edition of contemporary stories from throughout the hispanic world perfect for learners of either language this volume of ten short

**short stories in spanish new penguin parallel texts 0** - Aug 03 2022

web amazon com spanish short stories 1 cuentos hispánicos 1 parallel text spanish and english edition 9780140025002 various franco jean books books literature

**short stories in spanish new penguin parallel text** - May 12 2023

web buy spanish short stories cuentos en espanol new penguin parallel text series 0 bilingual by john r king isbn 9780140265415 from amazon s book store everyday

short stories in spanish new penguin parallel text paperback - Jun 01 2022

web penguin parallel text series short story anthologies with facing page translations showcasing fiction by well known and emerging writers and allowing language learners

short stories in spanish new penguin parallel texts books ie - Mar 30 2022

web sep 10 2017 new penguin parallel text short stories in spanish is a new version of an old idea edited by john r king the book contains ten new stories with the spanish

**short stories in spanish new penguin parallel texts bookshop** - Jan 08 2023

web read short stories in spanish new penguin parallel texts by available from rakuten kobo this is an all new version of the popular parallel text series containing

**short stories in spanish new penguin parallel texts** - Aug 15 2023

web sep 30 1999 penguin uk sep 30 1999 literary collections 256 pages this is an all new version of the popular parallel text series containing eight pieces of

**short stories in spanish new penguin parallel texts** - Oct 05 2022

web product description this second volume of short stories contains more diverse and lively writing from the spanish speaking world again much of it is from latin america carlos

**new penguin parallel text short stories in spanish john r** - Feb 26 2022

web buy a cheap copy of short stories in spanish new penguin book by various a dual language edition of contemporary stories from throughout the hispanic world perfect for

**short stories in spanish new penguin parallel text** - Mar 10 2023

web short stories in spanish new penguin parallel text edited by john r king introduction eva s indifference soledad puértolas 1947 translated by john r king a

**spanish short stories 1 cuentos hispánicos 1 parallel text** - Jul 02 2022

web this is a fantastic book if you are trying to improve your written spanish or your comprehension of the spanish language as it has a parallel text in english so that you

**parallel text spanish short stories 2 languages direct** - Sep 04 2022

web this is an all new version of the popular parallel text series containing eight pieces of contemporary fiction in the original spanish and in english translation including stories

penguin parallel text series penguin random house - Apr 30 2022

web this is an all new version of the popular parallel text series containing eight pieces of contemporary fiction in the original spanish and in english translation including stories

**short stories in spanish penguin random house secondary** - Feb 09 2023

web sep 30 1999 this is an all new version of the popular parallel text series containing eight pieces of contemporary fiction in the original spanish and in english translation

**short stories in spanish new penguin parallel text** - Nov 06 2022

web amazon in buy short stories in spanish new penguin parallel texts book online at best prices in india on amazon in read short stories in spanish this is an all new

spanish short stories cuentos en espanol new - Apr 11 2023

web jan 1 2001 short stories in spanish new penguin parallel text short stories in spanish john r king penguin jan 1 2001 fiction 256 pages a dual language

**short stories in spanish ebook by rakuten kobo** - Dec 07 2022

web sep 30 1999 this volume of ten short stories with parallel translations offers students of spanish at all levels the opportunity to enjoy a wide range of contemporary literature

**short stories in spanish penguin random house** - Jul 14 2023

web jan 1 2001 short stories in spanish new penguin parallel text spanish and english edition paperback illustrated january 1 2001 spanish edition by john r king