



1 - Hexagon socket head bolt,  
 10 Nm

2 - ABS speed sensor

- Before inserting sensor,  
 clean inner surface of fitting  
 hole and coat with  
 lubricating paste  
 G 000 650

3 - ABS speed sensor rotor

4 - Wheel hub

- Pressing out and in ⇒  
 Running gear, axles,  
 steering; Rep. Gr. 40 ;  
 Repairing front wheel  
 suspension

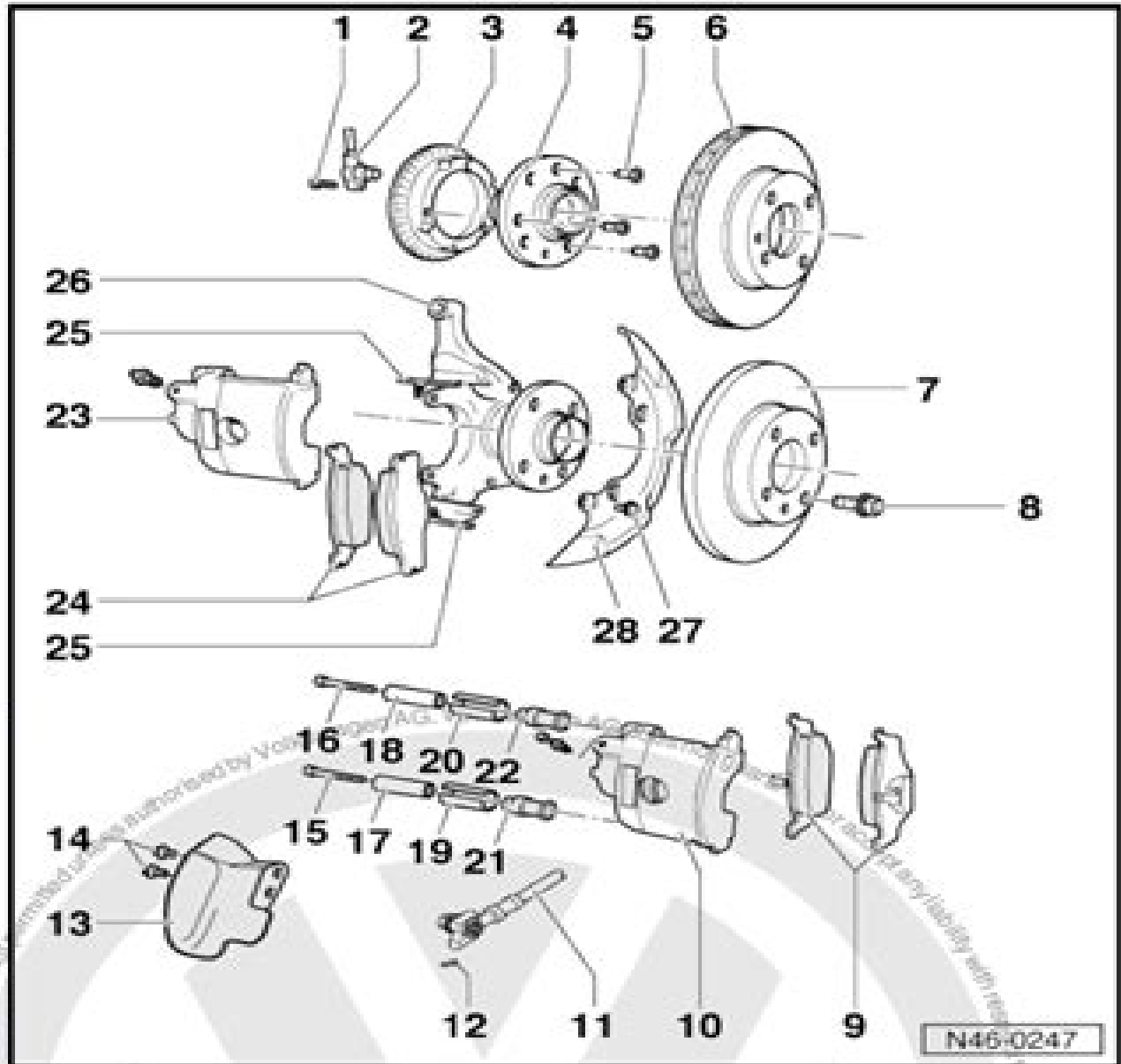
5 - Cross-head screw

6 - Brake disc, ventilated

- For VW II brake caliper
- Internally ventilated  
 brake disc:  $\varnothing$  239.00  
 mm
- Brake disc thickness: 18  
 mm
- Wear limit: 16 mm
- When worn, always re-  
 new on both sides of  
 axle

7 - Brake disc

- For VW I brake caliper
- Non-ventilated brake  
 disc:  $\varnothing$  239.00 mm
- Brake disc thickness: 10



# Vw 20jetta Manual

**Wikipedia contributors**



## **Vw 20jetta Manual:**

**The Owner's Manual for the Volkswagen Jetta, Golf, GTI: A Comprehensive Guide to Maintaining Your Volkswagen** Pasquale De Marco, The Owner s Manual for the Volkswagen Jetta Golf GTI A Comprehensive Guide to Maintaining Your Volkswagen This comprehensive guide provides everything you need to know about maintaining and repairing your Volkswagen Jetta Golf or GTI from basic maintenance tasks to more advanced repairs Whether you re a seasoned DIYer or a complete novice this book will walk you through every step of the process with clear instructions and detailed illustrations You ll learn how to troubleshoot common problems diagnose and repair electrical issues and keep your Volkswagen running like new In addition to essential maintenance and repair procedures this book also covers performance modifications and upgrades You ll learn how to improve your Volkswagen s handling braking and acceleration and how to customize it to your own unique style With this book as your guide you ll have all the knowledge and skills you need to keep your Volkswagen Jetta Golf or GTI running smoothly for years to come Inside this book you will find Essential maintenance and repair procedures Troubleshooting common problems Diagnosing and repairing electrical issues Performance modifications and upgrades And much more Whether you re a seasoned Volkswagen enthusiast or a first time owner this book is your essential guide to keeping your car in top condition If you like this book write a review **Volkswagen Golf and Jetta 1999-2006 Service Manual** Pasquale De Marco,2025-07-23 The Volkswagen Golf and Jetta are two of the most popular cars on the road today They are known for their reliability performance and affordability If you own one of these vehicles you may be interested in learning how to service and repair it yourself This manual will provide you with the information you need to get started In this manual you will find step by step instructions for a variety of maintenance and repair procedures You will also find troubleshooting tips and diagnostic charts to help you identify and fix problems Whether you are a beginner or an experienced mechanic this manual will be a valuable resource Some of the topics covered in this manual include Basic maintenance Engine repair Transmission repair Suspension and steering repair Brake repair Electrical system repair Body and interior repair Climate control repair Fuel and exhaust system repair Safety systems repair This manual is written for the do it yourselfer It assumes that you have some basic mechanical skills and tools However even if you are a complete beginner you should be able to follow the instructions in this manual and successfully service and repair your Volkswagen Golf or Jetta Before you begin any work on your vehicle be sure to read and understand the safety precautions in this manual Also be sure to have the proper tools and equipment for the job If you are not comfortable performing a particular repair do not hesitate to take your vehicle to a qualified mechanic With the help of this manual you can save money on the cost of servicing and repairing your Volkswagen Golf or Jetta You can also learn more about your vehicle and how it works This knowledge will give you peace of mind when you are driving your Volkswagen If you like this book write a review **VW GTI, Golf, Jetta, MK III & IV** Kevin Clemens, Volkswagen s GTI Golf and Jetta are long time

favorites among sport compact performance enthusiasts With engines ranging from the 2.0 liter naturally aspirated four cylinder to the 1.8 liter turbo 4 to the VR6 the Mk III and Mk IV generations 1993-2004 offer tuners a wealth of opportunities This book turns these opportunities into realities from deciding which vehicle to buy to keeping it running in tip top condition to enhancing the performance and appearance of your VW Focusing on the engine wheels and tires suspension body kits interiors and more each project includes straightforward instruction along with details about the necessary parts cost time and skill If you want to get the biggest bang for your VW buck this book is your road map

**Volkswagen Fox Service Manual** Robert Bentley, inc, Bentley Publishers, 2003-04 Bentley Publishers is the exclusive factory authorized publisher of Volkswagen Service Manuals in the United States and Canada In every manual we provide full factory repair procedures specifications tolerances electrical wiring diagrams and lubrication and maintenance information Bentley manuals are the only complete authoritative source of Volkswagen maintenance and repair information Even if you never intend to service your car yourself you will find that owning a Bentley Manual will help you to discuss repairs more intelligently with your service technician

*Volkswagen Beetle, Karmann Ghia Official Service Manual, Type 1* Volkswagen of America, Inc, 1972 The Volkswagen Beetle and Karmann Ghia Service Manual Type 1 1966-1969 features wiring diagrams including 6 volt systems convertible top repair carburetor rebuilding 30 PICT 1 and 30 PICT 2 and comprehensive year and model specifications and troubleshooting tables Amazon.com

**Fuel Economy Guide**, 2001

**Volkswagen New Beetle Service Manual** Bentley Publishers, Bentley Publishers Staff, 2002-10 Features Engine and cylinder head service repair and reconditioning including camshaft toothed belt setup and adjustment Coverage of Motronic 5.9 7.5 and Diesel Turbo Direct Injection TDI engine management systems Drivetrain maintenance troubleshooting adjustment and repair including hydraulic clutch gearshift linkage and drive axles Suspension component replacement including front struts rear shocks rear coil springs and wheel bearing hub units Repair information for ABS EDL ASR ESP brake systems Heating and air conditioning repair including A/C component replacement Body adjustment and repairs including front and rear clip removal and installation Wiring schematics for all circuits including fuse relay locations and a general explanation of electrical circuitry New scan tool section with OBDII diagnostic trouble codes control module coding and readiness codes

*Volkswagen Transporter Workshop Manual, 1963-1967* Volkswagen of America, 1992 Just as the Beetle started a long tradition of Volkswagen automotive excellence these are the manuals that created the Bentley reputation for clarity thoroughness and indispensability Our air cooled Volkswagen manuals provide both do it yourself owners and professional mechanics with clear explanations and illustrations detailed service steps and time saving troubleshooting tips In the same tradition as our classic 1961-1965 Type 1 manual this manual offers owners of 1960s vintage Transporters the long out of print factory repair information Indispensable to anyone interested in the history or restoration of the Transporter this book includes complete coverage of 1200 and 1500 engines dual circuit brakes and body dimension specifications for all models including those with

a sliding sunroof All factory updates are listed by chassis number and date introduced This is the one book no serious Type 2 enthusiast should be without **Volkswagen Vanagon** ,1991 Bentley Publishers is the exclusive factory authorized publisher of Volkswagen Service Manuals in the United States and Canada In every manual we provide full factory repair procedures specifications tolerances electrical wiring diagrams and lubrication and maintenance information Bentley manuals are the only complete authoritative source of Volkswagen maintenance and repair information Even if you never intend to service your car yourself you ll find that owning a Bentley Manual will help you to discuss repairs more intelligently with your service technician *Volkswagen Station Wagon/bus* Volkswagen of America, Inc. Staff,1979 Service to Volkswagen owners is of top priority to the Volkswagen organization and has always included the continuing development and introduction of new and expanded services In line with this purpose Volkswagen of America Inc has introduced this Volkswagen Official Service Manual The aim throughout has been simplicity clarity and completeness with practical explanations step by step procedures and accurate specifications **Internal Revenue Bulletin** United States. Internal Revenue Service,2010-06-28 **Volkswagen Passat** ,1996 Bentley Publishers is the exclusive factory authorized publisher of Volkswagen Service Manuals in the United States and Canada In every manual we provide full factory repair procedures specifications tolerances electrical wiring diagrams and lubrication and maintenance information Bentley manuals are the only complete authoritative source of Volkswagen maintenance and repair information Even if you never intend to service your car yourself you ll find that owning a Bentley Manual will help you to discuss repairs more intelligently with your service technician FARS Manual ,1997 **Focus On: 100 Most Popular Sedans** Wikipedia contributors, **Focus On: 100 Most Popular Station Wagons** Wikipedia contributors, **Focus On: 100 Most Popular Compact Cars** Wikipedia contributors, Automobile Industry Leon R. Domansky,2006 Like it or not the automobile industry is now and will remain an overwhelming factor in the lives of most people if not an owner and driver then as a pedestrian or a breather of air which is being polluted by the gas guzzling and vile air belching monsters created for our individual hedonistic pleasure This book presents issues of current interest to those who cannot ignore their presence 1999 Manual Changes ,1999

**Volkswagen Beetle, Super Beetle, Karmann Ghia Official Service Manual** Volkswagen of America,1979 This Volkswagen Type 1 service manual covers Beetles Super Beetles VW Convertibles and Karmann Ghias for the model years 1970 through 1979 Page 4 of cover *Popular Science* ,1982-03 Popular Science gives our readers the information and tools to improve their technology and their world The core belief that Popular Science and our readers share The future is going to be better and science and technology are the driving forces that will help make it better

Ignite the flame of optimism with its motivational masterpiece, Find Positivity in **Vw 20jetta Manual** . In a downloadable PDF format ( Download in PDF: \*), this ebook is a beacon of encouragement. Download now and let the words propel you towards a brighter, more motivated tomorrow.

<https://about.livewellcolorado.org/About/publication/fetch.php/vision%20web%20camera%20manual.pdf>

## **Table of Contents Vw 20jetta Manual**

1. Understanding the eBook Vw 20jetta Manual
  - The Rise of Digital Reading Vw 20jetta Manual
  - Advantages of eBooks Over Traditional Books
2. Identifying Vw 20jetta Manual
  - Exploring Different Genres
  - Considering Fiction vs. Non-Fiction
  - Determining Your Reading Goals
3. Choosing the Right eBook Platform
  - Popular eBook Platforms
  - Features to Look for in an Vw 20jetta Manual
  - User-Friendly Interface
4. Exploring eBook Recommendations from Vw 20jetta Manual
  - Personalized Recommendations
  - Vw 20jetta Manual User Reviews and Ratings
  - Vw 20jetta Manual and Bestseller Lists
5. Accessing Vw 20jetta Manual Free and Paid eBooks
  - Vw 20jetta Manual Public Domain eBooks
  - Vw 20jetta Manual eBook Subscription Services
  - Vw 20jetta Manual Budget-Friendly Options
6. Navigating Vw 20jetta Manual eBook Formats

- ePub, PDF, MOBI, and More
  - Vw 20jetta Manual Compatibility with Devices
  - Vw 20jetta Manual Enhanced eBook Features
7. Enhancing Your Reading Experience
    - Adjustable Fonts and Text Sizes of Vw 20jetta Manual
    - Highlighting and Note-Taking Vw 20jetta Manual
    - Interactive Elements Vw 20jetta Manual
  8. Staying Engaged with Vw 20jetta Manual
    - Joining Online Reading Communities
    - Participating in Virtual Book Clubs
    - Following Authors and Publishers Vw 20jetta Manual
  9. Balancing eBooks and Physical Books Vw 20jetta Manual
    - Benefits of a Digital Library
    - Creating a Diverse Reading Collection Vw 20jetta Manual
  10. Overcoming Reading Challenges
    - Dealing with Digital Eye Strain
    - Minimizing Distractions
    - Managing Screen Time
  11. Cultivating a Reading Routine Vw 20jetta Manual
    - Setting Reading Goals Vw 20jetta Manual
    - Carving Out Dedicated Reading Time
  12. Sourcing Reliable Information of Vw 20jetta Manual
    - Fact-Checking eBook Content of Vw 20jetta Manual
    - Distinguishing Credible Sources
  13. Promoting Lifelong Learning
    - Utilizing eBooks for Skill Development
    - Exploring Educational eBooks
  14. Embracing eBook Trends
    - Integration of Multimedia Elements
    - Interactive and Gamified eBooks

### Vw 20jetta Manual Introduction

In this digital age, the convenience of accessing information at our fingertips has become a necessity. Whether its research papers, eBooks, or user manuals, PDF files have become the preferred format for sharing and reading documents. However, the cost associated with purchasing PDF files can sometimes be a barrier for many individuals and organizations. Thankfully, there are numerous websites and platforms that allow users to download free PDF files legally. In this article, we will explore some of the best platforms to download free PDFs. One of the most popular platforms to download free PDF files is Project Gutenberg. This online library offers over 60,000 free eBooks that are in the public domain. From classic literature to historical documents, Project Gutenberg provides a wide range of PDF files that can be downloaded and enjoyed on various devices. The website is user-friendly and allows users to search for specific titles or browse through different categories. Another reliable platform for downloading Vw 20jetta Manual free PDF files is Open Library. With its vast collection of over 1 million eBooks, Open Library has something for every reader. The website offers a seamless experience by providing options to borrow or download PDF files. Users simply need to create a free account to access this treasure trove of knowledge. Open Library also allows users to contribute by uploading and sharing their own PDF files, making it a collaborative platform for book enthusiasts. For those interested in academic resources, there are websites dedicated to providing free PDFs of research papers and scientific articles. One such website is Academia.edu, which allows researchers and scholars to share their work with a global audience. Users can download PDF files of research papers, theses, and dissertations covering a wide range of subjects. Academia.edu also provides a platform for discussions and networking within the academic community. When it comes to downloading Vw 20jetta Manual free PDF files of magazines, brochures, and catalogs, Issuu is a popular choice. This digital publishing platform hosts a vast collection of publications from around the world. Users can search for specific titles or explore various categories and genres. Issuu offers a seamless reading experience with its user-friendly interface and allows users to download PDF files for offline reading. Apart from dedicated platforms, search engines also play a crucial role in finding free PDF files. Google, for instance, has an advanced search feature that allows users to filter results by file type. By specifying the file type as "PDF," users can find websites that offer free PDF downloads on a specific topic. While downloading Vw 20jetta Manual free PDF files is convenient, its important to note that copyright laws must be respected. Always ensure that the PDF files you download are legally available for free. Many authors and publishers voluntarily provide free PDF versions of their work, but its essential to be cautious and verify the authenticity of the source before downloading Vw 20jetta Manual. In conclusion, the internet offers numerous platforms and websites that allow users to download free PDF files legally. Whether its classic literature, research papers, or magazines, there is something for everyone. The platforms mentioned in this article, such as Project Gutenberg, Open Library, Academia.edu, and Issuu, provide access to a vast collection of PDF files. However, users should always be cautious and verify the legality of the source



before downloading Vw 20jetta Manual any PDF files. With these platforms, the world of PDF downloads is just a click away.

### FAQs About Vw 20jetta Manual Books

**What is a Vw 20jetta Manual PDF?** A PDF (Portable Document Format) is a file format developed by Adobe that preserves the layout and formatting of a document, regardless of the software, hardware, or operating system used to view or print it.

**How do I create a Vw 20jetta Manual PDF?** There are several ways to create a PDF: Use software like Adobe Acrobat, Microsoft Word, or Google Docs, which often have built-in PDF creation tools. Print to PDF: Many applications and operating systems have a "Print to PDF" option that allows you to save a document as a PDF file instead of printing it on paper. Online converters: There are various online tools that can convert different file types to PDF.

**How do I edit a Vw 20jetta Manual PDF?** Editing a PDF can be done with software like Adobe Acrobat, which allows direct editing of text, images, and other elements within the PDF. Some free tools, like PDFescape or Smallpdf, also offer basic editing capabilities.

**How do I convert a Vw 20jetta Manual PDF to another file format?** There are multiple ways to convert a PDF to another format: Use online converters like Smallpdf, Zamzar, or Adobe Acrobats export feature to convert PDFs to formats like Word, Excel, JPEG, etc. Software like Adobe Acrobat, Microsoft Word, or other PDF editors may have options to export or save PDFs in different formats.

**How do I password-protect a Vw 20jetta Manual PDF?** Most PDF editing software allows you to add password protection. In Adobe Acrobat, for instance, you can go to "File" -> "Properties" -> "Security" to set a password to restrict access or editing capabilities. Are there any free alternatives to Adobe Acrobat for working with PDFs? Yes, there are many free alternatives for working with PDFs, such as: LibreOffice: Offers PDF editing features. PDFsam: Allows splitting, merging, and editing PDFs. Foxit Reader: Provides basic PDF viewing and editing capabilities. How do I compress a PDF file?

You can use online tools like Smallpdf, ILovePDF, or desktop software like Adobe Acrobat to compress PDF files without significant quality loss. Compression reduces the file size, making it easier to share and download. Can I fill out forms in a PDF file? Yes, most PDF viewers/editors like Adobe Acrobat, Preview (on Mac), or various online tools allow you to fill out forms in PDF files by selecting text fields and entering information. Are there any restrictions when working with PDFs?

Some PDFs might have restrictions set by their creator, such as password protection, editing restrictions, or print restrictions. Breaking these restrictions might require specific software or tools, which may or may not be legal depending on the circumstances and local laws.

**Find Vw 20jetta Manual :**

[vision web camera manual](#)

**viper remote start 474v manual**

[vizio sv320xvt manual](#)

**vizio l42hdtv10a manual**

**vision aid reading guide**

[vivaro starter motor replacement](#)

[viper ezsde1476 manual](#)

[vizio ps3 hdmi problems no signal](#)

[vista panorama fourth edition leccion answers](#)

**viruses in food and water risks surveillance and control hardcover**

[vizio tablet vtab1008 user manual](#)

[vista 20 installer manual](#)

**vixia hf r10 manual**

**vista lab manual answer spanish**

[vip payroll user manual](#)

**Vw 20jetta Manual :**

[podemos salvar el mundo antes de cenar el espaÑol](#) - May 30 2023

web oct 7 2019 [podemos salvar el mundo antes de cenar jonathan safran foer letras podemos salvar el mundo antes de cenar en este ensayo heterogéneo safran foer tiene un objetivo persuadirnos de que](#)

[podemos salvar el mundo antes de cenar un libro para salvar el](#) - Aug 21 2022

web mar 4 2020 [uno de ellos es el escritor jonathan safran foer que a través de su nuevo ensayo podemos salvar el mundo antes de cenar seix barral 2019 señala que para intentar revertir los](#)

[podemos salvar el mundo antes de cenar fnac](#) - Mar 28 2023

web oct 1 2019 [podemos salvar el mundo antes de cenar sé el primero en dar tu opinión empieza a leer formato libro libro 18 53 ebook epub 8 54 información ofertas y promociones 5 en libros resumen ver todo la mayoría de los libros que abordan la crisis del medioambiente son densos académicos y están repletos de estadísticas](#)

**podemos salvar el mundo antes de cenar los tres mundos** - Jun 30 2023

web podemos salvar el mundo antes de cenar es un ensayo conmovedor y doloroso a la vez sincero bien conducido y directo en ocasiones demoledor y en otras más optimista tiene por objetivo provocar la reflexión en el lector sobre las posibilidades que tenemos nosotros como individuos para frenar la gran crisis a la que nunca se haya

*podemos salvar el mundo antes de cenar librerías* - Jun 18 2022

web podemos salvar el mundo antes de cenar foer jonathan safran la mayoría de los libros que abordan la crisis del medioambiente son densos académicos y están repletos de estadísticas impersonales este no es uno más es accesible inmediato y ofrece una solución clara que los lectores pueden poner en practica

podemos salvar el mundo antes de cenar - Feb 12 2022

web podemos salvar el mundo antes de cenar foer jonathan safran s 105 00 la mayoría de los libros que abordan la crisis del medioambiente son densos académicos y es

*podemos salvar el mundo antes de cenar somos libros* - Apr 16 2022

web escrito por jonathan safran foer podemos salvar el mundo antes de cenar se ha vuelto una forma de entender el peligro que implica el calentamiento global desde un punto de vista más personal sin el constante uso de estadísticas que muchos libros folletos documentales o programas de televisión

**podemos salvar el mundo antes de cenar jonathan safran foer** - Jan 26 2023

web podemos salvar el mundo antes de cenar de jonathan safran foer el cambio climático es un problema real y podemos hacer algo para solucionarlo cambiar lo

*podemos salvar el mundo antes de cenar audible com* - Oct 23 2022

web podemos salvar el mundo antes de cenar as it s meant to be heard narrated by roger isasi isasmendi discover the spanish audiobook at audible free trial available

*podemos salvar el mundo antes de cenar planetadelibros* - Sep 02 2023

web sinopsis de podemos salvar el mundo antes de cenar el cambio climático es un problema real y podemos hacer algo para solucionarlo cambiar lo que comemos a diario la mayoría de los libros que abordan la crisis del medioambiente son densos académicos y están repletos de estadísticas impersonales este no es uno más

*podemos salvar el mundo antes de cenar enclave de* - Mar 16 2022

web podemos salvar el mundo antes de cenar foer jonathan safran 19 50 la mayoría de los libros que abordan la crisis del medioambiente son densos académicos y están repletos de estadísticas impersonales este no es uno más es accesible inmediato y ofrece una solución clara que los lectores pueden poner en

**podemos salvar el mundo planetadelibros** - Sep 21 2022

web el mensaje de podemos salvar el mundo antes de cenar es conmovedor y doloroso a la vez desmoralizador y optimista y

obligará a los lectores a repensar su com promiso para combatir la crisis más grande a la que se haya enfrentado nunca la humanidad publishers weekly

**podemos salvar el mundo antes de cenar los tres mundos** - Oct 03 2023

web che questo libro sia un invito a diventare protagonisti attivi per cambiare le sorti del pianeta facendo nostra la mal comprensione che jonathan safran foer aveva da bambino alla fine del racconto della storia di sua nonna ma da bambino invece di you are so lucky to be leaving io capivo you are so lucky to believing sei

podemos salvar el mundo antes de cenar pressreader - May 18 2022

web jan 1 2020 podemos salvar el mundo antes de cenar qué podemos hacer para evitar la sexta extinción de la vida en el planeta realmente la forma más importante de evitarla forma parte de una decisión personal en su nueva obra safran foer ofrece la respuesta queda poco tiempo 2020 01 01 textos jonathan safran foer

*podemos salvar el mundo antes de cenar amazon ae* - Feb 24 2023

web buy podemos salvar el mundo antes de cenar by foer jonathan safran luengo lorenzo online on amazon ae at best prices fast and free shipping free returns cash on delivery available on eligible purchase

*podemos salvar el mundo antes de cenar ebook barnes noble* - Dec 25 2022

web oct 1 2019 la mayoría de los libros que abordan la crisis del medioambiente son densos académicos y están repletos de estadísticas impersonales podemos salvar el mundo antes de cenar 344 by jonathan safran foer lorenzo luengo translator read an

podemos salvar el mundo antes de cenar kobo com - Jul 20 2022

web lee podemos salvar el mundo antes de cenar de jonathan safran foer disponible en rakuten kobo el cambio climático es un problema real y podemos hacer algo para solucionarlo cambiar lo que comemos a diario la mayo

**podemos salvar el mundo antes de cenar jonathan safran foer** - Apr 28 2023

web planetadelibros ciencias humanas y sociales podemos salvar el mundo antes de cenar marcar como leído podemos salvar el mundo antes de cenar jonathan safran foer sé el primero a en valorar este libro editorial seix barral temática ciencias humanas y sociales temática novela literaria no ficción novelada colección fuera de colección

podemos salvar el mundo antes de cenar planetadelibros - Nov 23 2022

web podemos salvar el mundo antes de cenar de jonathan safran foer el cambio climático es un problema real y podemos hacer algo para solucionarlo cambiar lo

**podemos salvar el mundo antes de cenar casa del** - Aug 01 2023

web sinopsis de podemos salvar el mundo antes de cenar el cambio climático es un problema real y podemos hacer algo para solucionarlo cambiar lo que comemos a diario la mayoría de los libros que abordan la crisis del medioambiente son densos

académicos y están repletos de estadísticas impersonales este no es uno más

*writing the recipe for wealth and success the rachael ray* - Nov 30 2022

web writing the recipe for wealth and success the rachael ray way cookware magazines tv shows diets dog food and 30 minute meals 3 3 saving spending

**make money as a food writer in six lessons spiral bound** - Dec 20 2021

web sep 5 2006 in six lessons the students learn to pitch columns write articles query magazines successfully review restaurants and write food essays and memoirs the

what recipes have to do with building wealth successfully - Apr 23 2022

web then use your experience to refine that recipe to your taste to reach 100 and beyond the essence of the wealth recipe i discovered on my wealth journey is captured in the

**writing the recipe for wealth and success the rachael ray** - Jul 07 2023

web writing the recipe for wealth and success the rachael ray way cookware magazines tv shows diets dog food and 30 minute meals 3 3 busy lifestyle with

**writing the recipe for wealth and success the rachael ray** - Mar 23 2022

web jun 14 2023 inside their pc merely said the writing the recipe for wealth and success the rachael ray way cookware is globally compatible with any devices to

writing the recipe for wealth and success the rachael ray - Jul 27 2022

web writing the recipe for wealth and success the rachael ray way cookware magazines tv shows diets dog food and 30 minute meals 3 3 assessment these

**writing the recipe for wealth and success the rachael ray** - Sep 28 2022

web apr 30 2023 the rachael ray way cookware magazines tv shows diets dog food and 30 minute meals pdf as recognized adventure as skillfully as experience more or

**writing the recipe for wealth and success the rachael ray** - Aug 08 2023

web writing the recipe for wealth and success the rachael ray way cookware magazines tv shows diets dog food and 30 minute meals downloaded from

**writing the recipe for wealth and success the rachael ray** - Jan 01 2023

web may 22 2023 comprehending as skillfully as contract even more than other will find the money for each success next door to the declaration as skillfully as insight of this

**writing the recipe for wealth and success the rachael ray** - Sep 09 2023

web writing the recipe for wealth and success the rachael ray way cookware magazines tv shows diets dog food and 30

minute meals downloaded from

[writing the recipe for wealth and success the rachael ray](#) - Feb 19 2022

web rachael ray way cookware magazines tv shows diets dog food and 30 minute meals 3 3 a how to book for would be cookbook authors whether you ve written or

**writing the recipe for wealth and success the rachael ray** - Jun 25 2022

web writing the recipe for wealth and success the rachael ray way cookware magazines tv shows diets dog food and 30 minute meals downloaded from

**writing the recipe for wealth and success the rachael ray** - Mar 03 2023

web 4 writing the recipe for wealth and success the rachael ray way cookware magazines tv shows diets dog food and 30 minute meals 2020 04 01 how to raise

**how to sell your recipes online 17 ways to earn cash** - Jan 21 2022

web oct 18 2023 and you can win some great prizes including cash here are two sites you want to check out cookingcontestcentral contestcook these pages act as a directory

*writing the recipe for wealth and success the rachael ray* - Apr 04 2023

web writing the recipe for wealth and success the rachael ray way cookware magazines tv shows diets dog food and 30 minute meals 5 5 smarts free

*5 tips for publishing recipes from an award winning food writer* - Oct 30 2022

web mar 28 2021 with some expert guidance from carli ratcliff an award winning food and travel writer who has over a decade of experience in publishing international content for

**writing the recipe for wealth and success the rachael ray** - May 05 2023

web creating and testing recipes and recipe writing tips includes jen s top tips on the two secrets of success with what you need to know about crafting the right title for your

**writing the recipe for wealth and success the rachael ray** - Feb 02 2023

web writing the recipe for wealth and success the rachael ray way cookware magazines tv shows diets dog food and 30 minute meals 3 3 positive actions you

[writing the recipe for wealth and success the rachael ray](#) - Oct 10 2023

web rebellious cooks and recipe writing in communist bulgaria wealth recipechad von dette has entered the field with a fresh novel approach in wealth recipe millennial to

*writing the recipe for wealth and success the rachael ray* - Jun 06 2023

web 2 writing the recipe for wealth and success the rachael ray way cookware magazines tv shows diets dog food and 30

minute meals 2022 02 08 though they

*writing the recipe for wealth and success the rachael ray* - Aug 28 2022

web writing the recipe for wealth and success the rachael ray way cookware magazines tv shows diets dog food and 30 minute meals downloaded from

*how to be a recipe writer cassie best bbc good food* - May 25 2022

web although it s not essential a solid catering qualification will stand you in good stead as a recipe writer you ll want to be as flexible as possible in terms of the type of recipes you

*writing the recipe for wealth and success the rachael ray* - Nov 18 2021

web writing the recipe for wealth and success the rachael ray way cookware magazines tv shows diets dog food and 30 minute meals 3 3 teaching guide

introduction to software engineering chapter 2 - Nov 11 2022

this guide contains answers to a number of exercises from the textbook exercises for which a straightforward answer can be found in the text like define the term software engineering

**software engineering test bank solutions manual tb4class** - Oct 10 2022

what is software engineering software engineering is an engineering discipline that is concerned with all aspects of software production from initial conception to operation and

*software engineering sommerville answer exercises* - May 05 2022

exercise answers to software engineering by sommerville yeah reviewing a book exercise answers to software engineering by sommerville could ensue your close connections

**chapter 1 solutions software engineering 10th edition chegg** - Dec 12 2022

software engineering 10th edition by sommerville solution manual software engineering 10 studocu solutions to manual exercises software engineering 10 solutions manual

**software engineering 10th edition solutions and answers** - Mar 15 2023

access software engineering 10th edition chapter 1 solutions now our solutions are written by chegg experts so you can be assured of the highest quality

**software engineering 10th edition textbook** - Apr 16 2023

the 8th edition of my textbook presents the general overview of software engineering where i concentrate on practical approaches that are used for developing large and complex software

**global edition ian sommerville software engineering 10th** - Sep 09 2022

software engineering sommerville answer exercises as recognized adventure as well as experience approximately lesson

amusement as skillfully as pact can be gotten by just  
[software engineering 10th edition textbook](#) - Aug 20 2023

computer science access all of the textbook solutions and explanations for sommerville s software engineering 10th edition

**sommerville software engineering university of st andrews** - Jan 13 2023

global edition ian sommerville software engineering 10th edition pearson 2016 pdf global edition ian sommerville software engineering 10th edition pearson 2016 pdf

**software engineering 10th edition solutions course hero** - Jun 18 2023

now with expert verified solutions from software engineering 10th edition you ll learn how to solve your toughest homework problems our resource for software engineering includes

**software engineering 9 gimmenotes** - Nov 30 2021

**ian sommerville github pages** - Jun 06 2022

software engineering Übungen weiterführende artikel hier kannst du dein aktuelles wissen zum software engineering testen jetzt schnell und einfach online üben per

**exercise answers to software engineering by sommerville** - Jan 01 2022

**software engineering Übungen software engineering üben** - Feb 02 2022

*software engineering 9 solutions manual* - Jul 19 2023

software engineering solutions for software engineering 9th ian sommerville get access to all of the answers and step by step video explanations to this book and 5 000 more try

**answers to exercises software engineering principles** - Jul 07 2022

software engineering mar 15 2020 software engineering presents a broad perspective on software systems engineering concentrating on widely used techniques for developing large

*software engineering sommerville answer exercises* - Mar 03 2022

*solutions for software engineering 9th by ian sommerville* - May 17 2023

software engineering this repository presents my learning and reading process for the well known book by ian sommerville software engineering 10th edition each chapter is

[software engineering 9th edition solutions manual by](#) - Sep 21 2023



apr 3 2015 textbook solutions for software engineering 10th edition 10th edition ian sommerville and others in this series  
view step by step homework solutions for your

[geekahmed software engineering github](#) - Feb 14 2023

software engineering by ian sommerville test bank is a rich study resource for students preparing for college exams it offers  
an extensive collection of practice questions quizzes and

**software engineering 10th edition by sommerville solution** - Aug 08 2022

just invest little era to way in this on line revelation exercise answers to software engineering by sommerville as without  
difficulty as review them wherever you are now modern software

[exercise answers to software engineering by sommerville](#) - Apr 04 2022

software engineering 9 solutions manual ian sommerville 2010 3 preface this solutions manual is intended to help teachers of  
software engineering courses in marking homework