

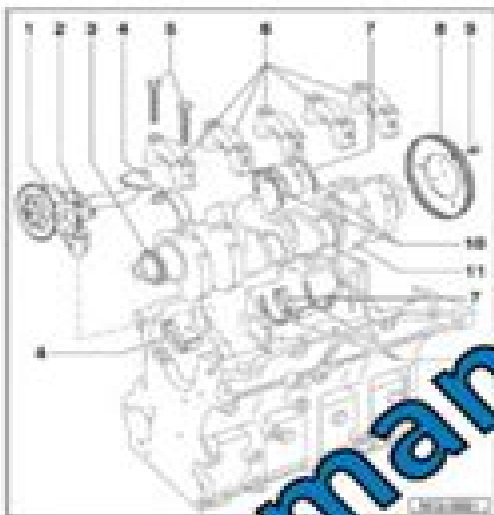
Volkswagen Transporter T5 2004-2015 Workshop Manual

Assembly overview - crankshaft

1. Note

Before starting work, make sure that a suitable surface for doing work is prepared to ensure that the work does not get damaged and a satisfactory result is achieved.

1. Oil pump
 - 1. Oil pump
 - 2. Oil pump gear
 - 3. Oil pump housing
 - 4. Oil pump housing cover
 - 5. Oil pump housing cover gasket
 - 6. Oil pump housing cover
 - 7. Oil pump housing cover
 - 8. Oil pump housing cover
2. Piston
 - 1. Piston
 - 2. Piston pin
 - 3. Piston pin cap
 - 4. Piston pin cap
 - 5. Piston pin cap
 - 6. Piston pin cap
 - 7. Piston pin cap
 - 8. Piston pin cap
3. Piston rings
 - 1. Piston rings
 - 2. Piston rings
 - 3. Piston rings
 - 4. Piston rings
 - 5. Piston rings
 - 6. Piston rings
 - 7. Piston rings
 - 8. Piston rings
4. Piston pin
 - 1. Piston pin
 - 2. Piston pin
 - 3. Piston pin
 - 4. Piston pin
 - 5. Piston pin
 - 6. Piston pin
 - 7. Piston pin
 - 8. Piston pin
5. Piston rings
 - 1. Piston rings
 - 2. Piston rings
 - 3. Piston rings
 - 4. Piston rings
 - 5. Piston rings
 - 6. Piston rings
 - 7. Piston rings
 - 8. Piston rings
6. Piston pin
 - 1. Piston pin
 - 2. Piston pin
 - 3. Piston pin
 - 4. Piston pin
 - 5. Piston pin
 - 6. Piston pin
 - 7. Piston pin
 - 8. Piston pin
7. Piston rings
 - 1. Piston rings
 - 2. Piston rings
 - 3. Piston rings
 - 4. Piston rings
 - 5. Piston rings
 - 6. Piston rings
 - 7. Piston rings
 - 8. Piston rings
8. Piston pin
 - 1. Piston pin
 - 2. Piston pin
 - 3. Piston pin
 - 4. Piston pin
 - 5. Piston pin
 - 6. Piston pin
 - 7. Piston pin
 - 8. Piston pin



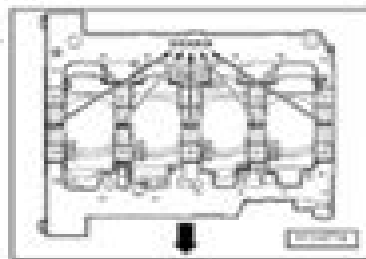
Identification of crankshaft upper bearing

Upper bearing shells of the crankshaft are identified by the number in the table. Lower bearing shells are identified by the number in the table.

When fitting bearings to the crankshaft, always fit the bearing with the bearing surface of the bearing shell to the bearing surface of the crankshaft.

Cylinder	Upper bearing shell	Lower bearing shell
1	10-222A	10-222A/02
2	10-222A	10-222A/02
3	10-222A	10-222A/02
4	10-222A	10-222A/02

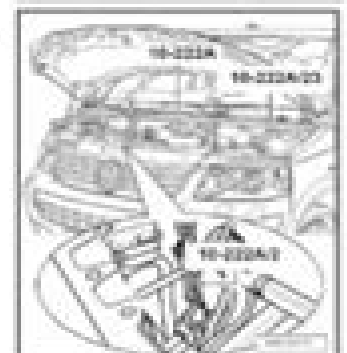
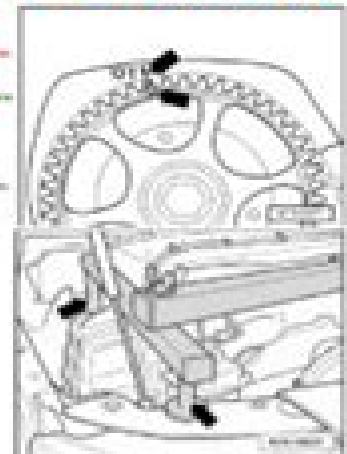
1. Identification of crankshaft upper bearing
2. Identification of crankshaft lower bearing
3. Identification of crankshaft lower bearing
4. Identification of crankshaft lower bearing



Bearing

1. Note
 - 1. Note
 - 2. Note
 - 3. Note
 - 4. Note
 - 5. Note
 - 6. Note
 - 7. Note
 - 8. Note

DOWNLOAD



1. Note
 - 1. Note
 - 2. Note
 - 3. Note
 - 4. Note
 - 5. Note
 - 6. Note
 - 7. Note
 - 8. Note

workshopmanuals.org

Vw T5 Owners Manual 2015

Helming



Vw T5 Owners Manual 2015:

British Books in Print ,1980 Whitaker's Cumulative Book List ,1975 Two Summers Robert Ackerson,2022
Explores the Mercedes Benz W 196 R s historic roots development and races Also its triumphs struggles and disappointments
as well as the spirited challenges from Maserati Ferrari Gordini and Lancia Accompanying the text are hundreds of photos
sourced from the legendary Daimler Archives **Popular Mechanics** ,1980 Cars & Parts ,1983 **2015 Volkswagen
EOS Owner Manual Compatible with OEM Owners Manual, Factory Glovebox Book** Helming,2015-03-07 **2015
Volkswagen Beetle Owner Manual Compatible with OEM Owners Manual, Factory Glovebox Book**
Helming,2015-07-08 **Motor Sport** William Boddy,1963 VW Transporter Owner's Workshop Manual John S.
Mead,2012 Motor Cycling and Motoring ,1984 **2015 Volkswagen Touareg Owner Manual Compatible with OEM
Owners Manual, Factory Glovebox Book** Helming,2015-07-09 **2015 Volkswagen Jetta Owner Manual Compatible
with OEM Owners Manual, Factory Glovebox Book** Helming,2015-08-17 *2015 Volkswagen Golf Owner Manual
Compatible with OEM Owners Manual, Factory Glovebox Book* Helming,2015-02-06 *2015 Volkswagen Passat Owner
Manual Compatible with OEM Owners Manual, Factory Glovebox Book* Helming,2015-04-12 **VW Transporter
1700/1800/2000 Owner's Workshop Manual** John Harold Haynes,2013-12 This is one in a series of manuals for car or
motorcycle owners Each book provides information on routine maintenance and servicing with tasks described and
photographed in a step by step sequence so that even a novice can do the work **2015 Volkswagen Tiguan Owner
Manual Compatible with OEM Owners Manual, Factory Glovebox Book** Helming,2015-08-05 *VW Transporter* ,1973
 Volkswagen Owner's Manual Volkswagen of America, Inc,1983 VW Transporter Owners Workshop Manual John
Harold Haynes,1989 **2014 Volkswagen EOS Owner Manual Compatible with OEM Owners Manual, Factory
Glovebox Book** Helming,2014-07-12

Getting the books **Vw T5 Owners Manual 2015** now is not type of challenging means. You could not deserted going considering books increase or library or borrowing from your associates to open them. This is an unquestionably simple means to specifically get guide by on-line. This online broadcast Vw T5 Owners Manual 2015 can be one of the options to accompany you next having new time.

It will not waste your time. receive me, the e-book will enormously look you other situation to read. Just invest little become old to get into this on-line message **Vw T5 Owners Manual 2015** as with ease as evaluation them wherever you are now.

https://about.livewellcolorado.org/data/book-search/Documents/youtube_auto_body_rust_repair.pdf

Table of Contents Vw T5 Owners Manual 2015

1. Understanding the eBook Vw T5 Owners Manual 2015
 - The Rise of Digital Reading Vw T5 Owners Manual 2015
 - Advantages of eBooks Over Traditional Books
2. Identifying Vw T5 Owners Manual 2015
 - Exploring Different Genres
 - Considering Fiction vs. Non-Fiction
 - Determining Your Reading Goals
3. Choosing the Right eBook Platform
 - Popular eBook Platforms
 - Features to Look for in an Vw T5 Owners Manual 2015
 - User-Friendly Interface
4. Exploring eBook Recommendations from Vw T5 Owners Manual 2015
 - Personalized Recommendations
 - Vw T5 Owners Manual 2015 User Reviews and Ratings
 - Vw T5 Owners Manual 2015 and Bestseller Lists
5. Accessing Vw T5 Owners Manual 2015 Free and Paid eBooks

- Vw T5 Owners Manual 2015 Public Domain eBooks
 - Vw T5 Owners Manual 2015 eBook Subscription Services
 - Vw T5 Owners Manual 2015 Budget-Friendly Options
6. Navigating Vw T5 Owners Manual 2015 eBook Formats
- ePub, PDF, MOBI, and More
 - Vw T5 Owners Manual 2015 Compatibility with Devices
 - Vw T5 Owners Manual 2015 Enhanced eBook Features
7. Enhancing Your Reading Experience
- Adjustable Fonts and Text Sizes of Vw T5 Owners Manual 2015
 - Highlighting and Note-Taking Vw T5 Owners Manual 2015
 - Interactive Elements Vw T5 Owners Manual 2015
8. Staying Engaged with Vw T5 Owners Manual 2015
- Joining Online Reading Communities
 - Participating in Virtual Book Clubs
 - Following Authors and Publishers Vw T5 Owners Manual 2015
9. Balancing eBooks and Physical Books Vw T5 Owners Manual 2015
- Benefits of a Digital Library
 - Creating a Diverse Reading Collection Vw T5 Owners Manual 2015
10. Overcoming Reading Challenges
- Dealing with Digital Eye Strain
 - Minimizing Distractions
 - Managing Screen Time
11. Cultivating a Reading Routine Vw T5 Owners Manual 2015
- Setting Reading Goals Vw T5 Owners Manual 2015
 - Carving Out Dedicated Reading Time
12. Sourcing Reliable Information of Vw T5 Owners Manual 2015
- Fact-Checking eBook Content of Vw T5 Owners Manual 2015
 - Distinguishing Credible Sources
13. Promoting Lifelong Learning
- Utilizing eBooks for Skill Development

-
- Exploring Educational eBooks
14. Embracing eBook Trends
- Integration of Multimedia Elements
 - Interactive and Gamified eBooks

Vw T5 Owners Manual 2015 Introduction

Vw T5 Owners Manual 2015 Offers over 60,000 free eBooks, including many classics that are in the public domain. Open Library: Provides access to over 1 million free eBooks, including classic literature and contemporary works. Vw T5 Owners Manual 2015 Offers a vast collection of books, some of which are available for free as PDF downloads, particularly older books in the public domain. Vw T5 Owners Manual 2015 : This website hosts a vast collection of scientific articles, books, and textbooks. While it operates in a legal gray area due to copyright issues, its a popular resource for finding various publications. Internet Archive for Vw T5 Owners Manual 2015 : Has an extensive collection of digital content, including books, articles, videos, and more. It has a massive library of free downloadable books. Free-eBooks Vw T5 Owners Manual 2015 Offers a diverse range of free eBooks across various genres. Vw T5 Owners Manual 2015 Focuses mainly on educational books, textbooks, and business books. It offers free PDF downloads for educational purposes. Vw T5 Owners Manual 2015 Provides a large selection of free eBooks in different genres, which are available for download in various formats, including PDF. Finding specific Vw T5 Owners Manual 2015, especially related to Vw T5 Owners Manual 2015, might be challenging as theyre often artistic creations rather than practical blueprints. However, you can explore the following steps to search for or create your own Online Searches: Look for websites, forums, or blogs dedicated to Vw T5 Owners Manual 2015, Sometimes enthusiasts share their designs or concepts in PDF format. Books and Magazines Some Vw T5 Owners Manual 2015 books or magazines might include. Look for these in online stores or libraries. Remember that while Vw T5 Owners Manual 2015, sharing copyrighted material without permission is not legal. Always ensure youre either creating your own or obtaining them from legitimate sources that allow sharing and downloading. Library Check if your local library offers eBook lending services. Many libraries have digital catalogs where you can borrow Vw T5 Owners Manual 2015 eBooks for free, including popular titles. Online Retailers: Websites like Amazon, Google Books, or Apple Books often sell eBooks. Sometimes, authors or publishers offer promotions or free periods for certain books. Authors Website Occasionally, authors provide excerpts or short stories for free on their websites. While this might not be the Vw T5 Owners Manual 2015 full book , it can give you a taste of the authors writing style. Subscription Services Platforms like Kindle Unlimited or Scribd offer subscription-based access to a wide range of Vw T5 Owners Manual 2015 eBooks, including some popular titles.

FAQs About Vw T5 Owners Manual 2015 Books

What is a Vw T5 Owners Manual 2015 PDF? A PDF (Portable Document Format) is a file format developed by Adobe that preserves the layout and formatting of a document, regardless of the software, hardware, or operating system used to view or print it. **How do I create a Vw T5 Owners Manual 2015 PDF?** There are several ways to create a PDF: Use software like Adobe Acrobat, Microsoft Word, or Google Docs, which often have built-in PDF creation tools. Print to PDF: Many applications and operating systems have a "Print to PDF" option that allows you to save a document as a PDF file instead of printing it on paper. Online converters: There are various online tools that can convert different file types to PDF. **How do I edit a Vw T5 Owners Manual 2015 PDF?** Editing a PDF can be done with software like Adobe Acrobat, which allows direct editing of text, images, and other elements within the PDF. Some free tools, like PDFescape or Smallpdf, also offer basic editing capabilities. **How do I convert a Vw T5 Owners Manual 2015 PDF to another file format?** There are multiple ways to convert a PDF to another format: Use online converters like Smallpdf, Zamzar, or Adobe Acrobats export feature to convert PDFs to formats like Word, Excel, JPEG, etc. Software like Adobe Acrobat, Microsoft Word, or other PDF editors may have options to export or save PDFs in different formats. **How do I password-protect a Vw T5 Owners Manual 2015 PDF?** Most PDF editing software allows you to add password protection. In Adobe Acrobat, for instance, you can go to "File" -> "Properties" -> "Security" to set a password to restrict access or editing capabilities. Are there any free alternatives to Adobe Acrobat for working with PDFs? Yes, there are many free alternatives for working with PDFs, such as: LibreOffice: Offers PDF editing features. PDFsam: Allows splitting, merging, and editing PDFs. Foxit Reader: Provides basic PDF viewing and editing capabilities. How do I compress a PDF file? You can use online tools like Smallpdf, ILovePDF, or desktop software like Adobe Acrobat to compress PDF files without significant quality loss. Compression reduces the file size, making it easier to share and download. Can I fill out forms in a PDF file? Yes, most PDF viewers/editors like Adobe Acrobat, Preview (on Mac), or various online tools allow you to fill out forms in PDF files by selecting text fields and entering information. Are there any restrictions when working with PDFs? Some PDFs might have restrictions set by their creator, such as password protection, editing restrictions, or print restrictions. Breaking these restrictions might require specific software or tools, which may or may not be legal depending on the circumstances and local laws.

Find Vw T5 Owners Manual 2015 :

youtube auto body rust repair
yoshis island red coin guide
 year7 maths cat test

[your name e chords](#)

[ymca scholarship income guidelines](#)

[yzf r6 owners manual](#)

[your complete guide to money happiness](#)

[yukon 2006 repair manual](#)

[zambie petit futeacute avec cartes photos avis des lecteurs](#)

[yokogawa up550 user manual](#)

[york ignitor manual guide](#)

[youcat youth prayer book paperback](#)

[yiruma lord hold my hand](#)

[yzf r1 owner39s manual yamaha](#)

[year 9 maths test papers](#)

Vw T5 Owners Manual 2015 :

[mala supruga jakovljevic mir jam milica amazon de books](#) - Nov 24 2022

web mir jam pise nezno sentimentalno i uzbudljivo njeni romani koje karakterisu izvanredna fabula i zaplet mnogo su uticali na citalacku publiku izmedju dva rata svet se promenio ljubav se vodi na drugaciji nacin ali mir jam nas i danas zabavlja kao nekad

[mala supruga ebook by milica jakovljevic mir jam rakuten kobo](#) - Sep 22 2022

web u središtu romana mala supruga jeste naivna i prostodušna mlada žena sa sela miraždžika neiskvarenog srca njeni problemi i zaplet ove povesti počinju kada se uda za lekara iz grada koji u taj brak ulazi iz računa ne prekidajući vezu s

[mala supruga by milica jakovljevic mir jam alibris](#) - May 19 2022

web mir jam pise nezno sentimentalno i uzbudljivo njeni romani koje karakterisu izvanredna fabula i zaplet mnogo su uticali na citalacku publiku izmedju dva rata svet se promenio ljubav se vodi na drugaciji nacin ali mir jam nas i danas zabavlja kao nekad

[mala supruga by milica jakovljevic mir jam alibris](#) - Jun 19 2022

web buy mala supruga by milica jakovljevic mir jam online at alibris we have new and used copies available in 3 editions starting at 11 19 shop now

[mala supruga milica jakovljevic mir jam knjižare vulkan](#) - Aug 02 2023

web isbn 9788607019014 autor milica jakovljevic mir jam izdavač prosveta u središtu ovog romana je naivna i prostodušna

mlada žena sa sela mirazdžijka neiskvarenog srca njeni problemi i zaplet ove povesti počinju udajom za lekara iz grada koji u brak ulazi iz računa ne prekidajući vezu sa dugogodišnjom ljubavnicom

mala supruga a book by milica jakovljevic mir jam bookshop - Aug 22 2022

web mar 10 2023 roman mala supruga jedan je od poznatijih u bogatom knjizevnom opusu milice jakovljevic pored osnovne teme ljubavnog trougla ovaj roman donosi i realistan prikaz drustvenih prilika u srbiji pocetkom drugog svetskog rata kako u gradovima tako i u seoskim sredinama

mala supruga by milica jakovljevic mir jam ebook scribd - Sep 03 2023

web u središtu romana mala supruga jeste naivna i prostodušna mlada žena sa sela mirazdžijka neiskvarenog srca njeni problemi i zaplet ove povesti počinju kada se uda za lekara iz grada koji u taj brak ulazi iz računa ne prekidajući vezu s *mala supruga by milica jakovljevic mir jam goodreads* - Oct 04 2023

web jan 1 2010 306 ratings4 reviews mir jam piše nežno sentimentalno i uzbudljivo njeni romani koje karakterišu izvanredna fabula i zaplet mnogo su uticali na čitalačku publiku između dva rata svet se promenio ljubav se vodi na drugačiji način ali mir jam nas i danas zabavlja kao nekad

mala supruga milica jakovljevi mir jam google books - Oct 24 2022

web lulu com dec 5 2019 352 pages mir jam piše nežno sentimentalno i uzbudljivo njeni romani koje karakterisu izvanredna fabula i zaplet mnogo su uticali na čitalačku publiku između dva

download mala supruga by milica jakovljevic mir jam zoboko com - Jul 21 2022

web may 3 2018 summary mir jam piše nežno sentimentalno i uzbudljivo njeni romani koje karakterišu izvanredna fabula i zaplet mnogo su uticali na čitalačku publiku između dva rata svet se promenio ljubav se vodi na drugačiji način ali

mala supruga serbian edition jakovljevic milica mir jam - Apr 29 2023

web mar 10 2023 milica jakovljevic 1887 1952 bila je srpska novinarka i knjizevnica pisala je pod pseudonimom mir jam najcitanija je knjizevnica međuratnog perioda u kraljevini jugoslaviji godine 1991 povodom obelezavanja prva dva veka srpskog novinarstva uvrstena je među sto najznačajnijih novinara srbije

mala supruga serbian edition mir jam milica jakovljevic - Feb 13 2022

web may 19 2018 mala supruga serbian edition mir jam milica jakovljevic on amazon com free shipping on qualifying offers mala supruga serbian edition

mala supruga by milica jakovljevic mir jam ebook scribd - May 31 2023

web milica jakovljevic 1887 1952 bila je srpska novinarka i knjizevnica pisala je pod pseudonimom mir jam najcitanija je knjizevnica međuratnog perioda u kraljevini jugoslaviji godine 1991 povodom obelezavanja prva dva veka srpskog novinarstva uvrstena je među sto najznačajnijih novinara srbije

mala supruga by mir jam milica abebooks - Dec 26 2022

web mala supruga by milica jakovljevic mir jam and a great selection of related books art and collectibles available now at abebooks co uk

mala supruga by milica jakovljević mir jam overdrive - Feb 25 2023

web oct 14 2013 njeni romani koje karakterišu izvanredna fabula i zaplet mnogo su uticali na čitalačku publiku između dva rata svet se promenio ljubav se vodi na drugačiji način ali mir jam nas i danas zabavlja kao nekad u središtu romana mala supruga jeste naivna i prostodušna mlada žena sa sela miraždžika neiskvarenog srca

Čitajte mala supruga milica jakovljević mir jam na bookmateu - Apr 17 2022

web u središtu romana mala supruga jeste naivna i prostodušna mlada žena sa sela miraždžika neiskvarenog srca njeni problemi i zaplet ove povesti počinju kada se uda za lekara iz grada koji u taj brak ulazi iz računa ne prekidajući vezu s

mala supruga serbian edition jakovljevic mir jam milica - Jul 01 2023

web aug 6 2016 njeni romani koje karakterisu izvanredna fabula i zaplet mnogo su uticali na citalacku publiku između dva rata svet se promenio ljubav se vodi na drugaciji nacin ali mir jam nas i danas zabavlja kao nekad u sredistu romana mala supruga jeste naivna i prostodusna mlada zena sa sela mirazdzika neiskvarenog srca

mala supruga milica jakovljevic mir jam google books - Mar 29 2023

web njeni romani koje karakterisu izvanredna fabula i zaplet mnogo su uticali na citalacku publiku između dva rata svet se promenio ljubav se vodi na drugaciji nacin ali mir jam nas i danas zabavlja kao nekad u sredistu romana mala supruga jeste naivna i prostodusna mlada zena sa sela mirazdzika neiskvarenog srca

mala supruga tv series 2022 imdb - Mar 17 2022

web mala supruga with anika milicevic milica burazer srna djenadic tamara radovanovic the series is based on a popular period novel mala supruga by mir jam and it s set in modern times

mala supruga by milica jakovljevic mir jam barnes noble - Jan 27 2023

web mar 10 2023 roman mala supruga jedan je od poznatijih u bogatom knjizevnom opusu milice jakovljevic pored osnovne teme ljubavnog trougla ovaj roman donosi

things fall apart full book quiz quick quiz sparknotes - May 16 2023

web test your knowledge on all of things fall apart perfect prep for things fall apart quizzes and tests you might have in school

things fall apart 70 important short questions and answers - Nov 10 2022

web nov 10 2020 things fall apart questions and answers q 1 describe the observance of the sacred week and throw light on the various customs relating thereto people did not work during the week of peace people drank palm wine and made merry

most of them talked about the religious offence done by okonkwo

things fall apart questions and answers enotes com - Aug 19 2023

web things fall apart questions and answers discover the enotes com community of teachers mentors and students just like you that can answer any question you might have on things fall

things fall apart chapter 2 questions and answers enotes com - Feb 13 2023

web in chapter 2 of things fall apart the narrator says and so okonkwo was ruled by one passion to hate everything that his father unoka had loved ask a question enotes com will

things fall apart chapter 12 questions and answers enotes com - Dec 11 2022

web may 5 2015 1 how do the people of umuiké develop their market 2 the story of the man and the goat shows that the umuiké market is often filled with thieves what happens in this story 3 what do okonkwo s

things fall apart study questions chapters 1 25 flashcards - Jun 17 2023

web short answer study questions for things fall apart learn with flashcards games and more for free

things fall apart discussion questions and study guide - Jan 12 2023

web updated on october 29 2019 things fall apart is a famous novel by nigerian author chinua achebe it s considered an important work in world literature albeit a controversial one the book has been banned in some places for its critical portrayal of european colonialism the book is split into three parts showing the reader the negative

things fall apart study guide literature guide litcharts - Oct 09 2022

web the best study guide to things fall apart on the planet from the creators of sparknotes get the summaries analysis and quotes you need

things fall apart ch 1 2 95 plays quizizz - Jul 06 2022

web no one but the kites can stand unoka s singing unoka loves to sing a welcome to the birds kites who return to the village from their long journey south he sings to them because the kites pay him to sing to them the kites force

study guide questions for things fall apart by chinua achebe - Jul 18 2023

web part one chapter 1 1 how does eighteen year old okonkwo bring honor to his village 2 when okonkwo is angry and cannot speak because of his stutter how does he get his point across 3 who is okonkwo s father 4 why doesn t okonkwo have any patience with his father 5 when is the only time that unoka is not haggard and mournful 6

things fall apart study guide sparknotes - Feb 01 2022

web quick quizzes essays further study buy now things fall apart is a novel by chinua achebe that was first published in 1958 summary read one minute sparklet summaries the detailed chapter by chapter summary analysis the full book summary or the full book analysis of things fall apart sparklet chapter summaries summary analysis

[things fall apart study guide practice test questions final](#) - Apr 03 2022

web things fall apart study guide final exam free practice test instructions choose your answer to the question and click continue to see how you did then click next question to answer the next

things fall apart study guide gradesaver - Mar 14 2023

web things fall apart study guide contains a biography of chinua achebe literature essays quiz questions major themes characters and a full summary and analysis best summary pdf themes and quotes

things fall apart chapters 1 3 summary analysis sparknotes - Apr 15 2023

web pride repression drum language ethnographic distance by section chapters 1 3 chapters 4 6 chapters 7 8 chapters 9 11 chapters 12 13 chapters 14 16 chapters 17 19 chapters 20 21 chapters 22 23 chapters 24 25 by character summary chapters 1 3 turning and turning in the widening gyre the falcon cannot hear the falconer

essay questions cliffsnotes - Aug 07 2022

web 11 explain the advantages and disadvantages of the social structure portrayed in things fall apart for example the culture is polygamous the husband wives and children live in their own compound children are cared for communally 12 explain why

things fall apart questions and answers q a gradesaver - May 04 2022

web aug 15 2023 last page things fall apart how is ikemefuna s death tragic answers 2 asked by john b 1255832 last updated by hamza k 1319298 a month ago 9 11 2023 4 38 am things fall apart discuss how achebe reveals alternate interpretation of manhood answers 1 asked by ayafika g 892444 last updated by mathandi m

things fall apart discussion questions answers pg 1 - Jun 05 2022

web q as discussions things fall apart discussion questions 1 10 share in things fall apart why does okonkwo consider it a problem that unoka was quite incapable of thinking about tomorrow unoka is a parent and it is his responsibility to care for his children

[things fall apart discussion questions study com](#) - Mar 02 2022

web first published in post colonial nigeria in 1958 author chinua achebe s things fall apart is known far and wide as the classic pre colonial african novel and is responsible for opening up the

things fall apart quizzes gradesaver - Sep 08 2022

web things fall apart quiz 1 1 chinua achebe was born and educated in mali south africa nigeria chad 2 achebe was raised by parents who were university professors evangelical christians buddhist monks an igbo priestess and medicine man 3 the novel takes place in mbanto both umuofia and mbanto umuofia johannesburg 4 okonkwo was born the son

things fall apart questions answers sparknotes - Sep 20 2023

web questions answers why is ezinma so special to okonkwo why does nwoye convert to christianity why does okonkwo hang himself why are the villagers shocked when okonkwo beats his wife during the week of peace why are the villagers excited whenever the locusts come why does nwoye admire ikemefuna

chapter 1 solutions financial accounting 10e wileyplus next - Sep 11 2022

web access financial accounting 10e wileyplus next generation loose leaf 10th edition chapter 1 solutions now our solutions are written by chegg experts so you can be assured of the highest quality

accounting wileyplus chapter 10 hw docx accounting - Feb 16 2023

web accounting wileyplus chapter 10 hw brief exercise 10 6 your answer is correct betsy strand s regular hourly wage rate is 22 and she receives an hourly rate of 33 for work in excess of 40 hours

chapter 10 wiley plus questions flashcards quizlet - Dec 14 2022

web study with quizlet and memorize flashcards containing terms like which of the following is not a major characteristic of a plant asset a acquired for resale b acquired for use c yields services over a number of years d possesses physical substance mickelson inc owns land that it purchased on january 1 2000 for 431 300 at december 31 2014 its

wileyplus accounting ch 10 exercise solutions pdf - Jun 08 2022

web wileyplus accounting ch 10 exercise solutions join that we find the money for here and check out the link you could buy guide wileyplus accounting ch 10 exercise solutions or acquire it as soon as feasible you could quickly download this

wileyplus accounting ch 10 exercise solutions after getting deal so bearing in mind you require the

wiley school solutions - Aug 10 2022

web in wileyplus and in print clear and relevant exposition engaging visuals and videos and valuable end of chapter material work together to build students confidence and mastery of accounting concepts and skills the new 10th edition of financial accounting by weygandt kimmel and kieso continues to provide students with a clear and

best practices for completing exercises in wileyplus - Oct 12 2022

web what are best practices for completing exercises on a wileyplus assignment answer expand the question long accounting worksheet style questions have horizontal and vertical scroll bars students must use to input values

chapter 10 exercise solutions solutions manual 10 1 studocu - Jan 15 2023

web solutions manual 10 7 chapter 10 brief exercise 10 a accounting standards require that the following two recognition criteria be satisfied when recognizing an item of pp amp e 1 it is probable that the item s associated future economic benefits will flow to the entity and 2 its cost can be measured reliably

accounting ch 10 wiley plus flashcards quizlet - Apr 18 2023

web tanner inc issued a 10 5 year 100 000 bond when the market rate of interest was 12 at what value will the bond sell a

discount bonds with a face value of 600000 and a quoted price of 104 25 have a selling price of 625500 molina corporation issues 5000 10 year 8 1000 bonds dated january 1 2017 at 103

wileyplus accounting ch 10 exercise solutions secure4 khronos - Mar 05 2022

web may 31 2023 browse the wileyplus accounting ch 10 exercise solutions join that we have the funding for here and check out the link you could buy handbook wileyplus accounting ch 10 exercise solutions or get it as soon as achievable by exploring the title publisher or authors of guide you in in reality want you can uncover them rapidly

chapter 10 accounting wiley plus flashcards quizlet - Mar 17 2023

web 5 0 1 review current liability click the card to flip is a debit that a company reasonable expects to pay 1 from existing current assets or through the creation of other current liabilities and 2 within 1 year or the operating cycle

wiley plus ch 10 brief exercise 9 11 youtube - May 19 2023

web whiley plus ch 10 brief exercise 9 11 david boyer 1 subscriber subscribe 4 674 views streamed 6 years ago accounting 201 whiley plus chapter 10 brief exercise 9 11

chapter 10 solutions financial accounting 10th edition wileyplus - Jun 20 2023

web access financial accounting 10th edition wileyplus card 10th edition chapter 10 solutions now our solutions are written by chegg experts so you can be assured of the highest quality

wileyplus accounting ch 10 exercise solutions domainlookup - May 07 2022

web wileyplus accounting ch 10 exercise solutions right here we have countless ebook wileyplus accounting ch 10 exercise solutions and collections to check out we additionally find the money for variant types and moreover type of the books to browse

solution for ch 1 wiley plus acct1117 nait studocu - Jan 03 2022

web solution for ch 1 wiley plus acct1117 nait studocu solution for ch 1 wiley plus answers 2021 burnley understanding financial accounting second canadian edition chapter overview of corporate financial reporting skip to document ask ai

wileyplusaccountingch10exercisesolutions vault sensepost - Jul 09 2022

web intermediate accounting student practice and solutions manual project management advanced accounting financial accounting managerial accounting managerial accounting tools for business decision making 6e with wileyplus intermediate accounting introduction to personal finance accounting principles volume 2 50

wileyplus intermediate accounting ch 10 exercise answers 2022 - Apr 06 2022

web 4 wileyplus intermediate accounting ch 10 exercise answers 2023 07 10 receivables revenue inventory property plant and equipment intangible assets and intercorporate investments for those requiring preparation for cpa designation competencies as outlined by the cpa are addressed in this textbook for a detailed competency map please

ch10 solution manual intermediate accounting studocu - Aug 22 2023

web copyright 2011 john wiley amp sons inc kieso ifrs 1 e solutions manual for instructor use only 10 solutions to brief exercises brief exercise 10 27 000 1 400 10 200 38 brief exercise 10 expenditures date amount capitalization period brief exercise 10 principal interest

a complete guide on completing wileyplus accounting homework - Nov 13 2022

web dec 16 2021 to access the homework on wileyplus you must follow a process the simple way is to google and find out step 1 first of all you have to sign in with the user id and password step 2 once you have come to the main page click the content tab step 4 at the left side you can see the assignment tab

wileyplus accounting ch 10 exercise solutions secure4 khronos - Feb 04 2022

web wileyplus accounting ch 10 exercise solutions in the route of them is this wileyplus accounting ch 10 exercise solutions that can be your partner realizing the amplification ways to download this ebook wileyplus accounting ch 10 exercise solutions is in addition valuable you could speedily acquire this wileyplus accounting ch 10

chapter 10 all answers studocu - Jul 21 2023

web all answers and solutions financial accounting acc5201 managing and analyzing large data sets3 instrukciya ecp fiz lica explain a current liability and identify the major types of current liabilities describe the accounting for notes payable explain the accounting for other current liabilities