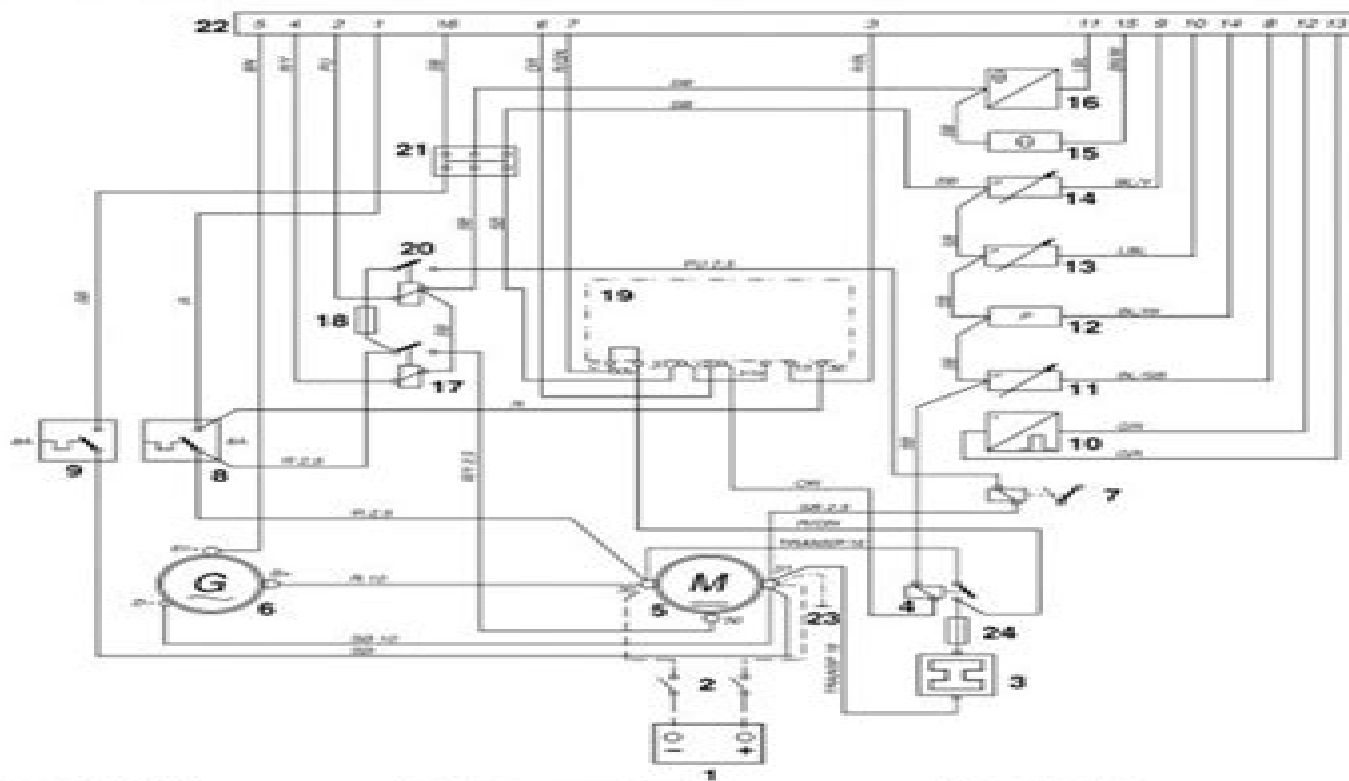


Engines: TAMD61A*, TAMD62A, TAMD71A*, TAMD71B, TAMD72A, TAMD72WJ-A** (12 V, 24 V)**

* As from engine No. 1101021542/xxxx.

** Up to engine No. 207181083/xxxx.



- | | | |
|----------------------------|---------------------------------------|----------------------------------|
| 1. Batteries (12V, 24V) | 10. Engine speed sensor | 17. Starter relay |
| 2. Main switch | 11. Oil pressure sensor, reverse gear | 18. Fuse 5A (24V), and 16A (12V) |
| 3. Starting heater | 12. Oil pressure monitor, engine | 19. Timer relay |
| 4. High power relay | 13. Oil pressure sensor, engine | 20. Stop relay |
| 5. Starter motor | 14. Pressure sensor, charge pressure | 21. Earthing point |
| 6. Alternator | 15. Coolant temperature monitor | 22. Connector, instrument panel |
| 7. Stop solenoid | 16. Coolant temperature sensor | 23. Earth cable |
| 8. Circuit breaker, SA (+) | | 24. Fuse (150A) |
| 9. Circuit breaker, SA (-) | | |

Cable colour

- | | |
|-------------------|-------------|
| BL = Blue | P = Pink |
| LBL = Light blue | PU = Purple |
| BN = Brown | R = Red |
| LBN = Light brown | SB = Black |
| GN = Green | VO = Violet |
| GR = Grey | W = White |
| OR = Orange | Y = Yellow |

Cable areas (mm²) are specified after the colour code in wiring diagrams.

Unspecified areas = 1.0 mm².

A broken line indicates a non Volvo Penta cable.

Volvo Tamd 71a Manual

G Thomas



Volvo Tamd 71a Manual:

When somebody should go to the books stores, search commencement by shop, shelf by shelf, it is in point of fact problematic. This is why we give the book compilations in this website. It will certainly ease you to look guide **Volvo Tamd 71a Manual** as you such as.

By searching the title, publisher, or authors of guide you in point of fact want, you can discover them rapidly. In the house, workplace, or perhaps in your method can be every best place within net connections. If you aspire to download and install the Volvo Tamd 71a Manual, it is totally easy then, back currently we extend the member to purchase and create bargains to download and install Volvo Tamd 71a Manual consequently simple!

https://about.livewellcolorado.org/files/book-search/Download_PDFS/Suzuki_Gn250_Service_Manual_Torrent.pdf

Table of Contents Volvo Tamd 71a Manual

1. Understanding the eBook Volvo Tamd 71a Manual
 - The Rise of Digital Reading Volvo Tamd 71a Manual
 - Advantages of eBooks Over Traditional Books
2. Identifying Volvo Tamd 71a Manual
 - Exploring Different Genres
 - Considering Fiction vs. Non-Fiction
 - Determining Your Reading Goals
3. Choosing the Right eBook Platform
 - Popular eBook Platforms
 - Features to Look for in an Volvo Tamd 71a Manual
 - User-Friendly Interface
4. Exploring eBook Recommendations from Volvo Tamd 71a Manual
 - Personalized Recommendations
 - Volvo Tamd 71a Manual User Reviews and Ratings
 - Volvo Tamd 71a Manual and Bestseller Lists

5. Accessing Volvo Tamd 71a Manual Free and Paid eBooks
 - Volvo Tamd 71a Manual Public Domain eBooks
 - Volvo Tamd 71a Manual eBook Subscription Services
 - Volvo Tamd 71a Manual Budget-Friendly Options
6. Navigating Volvo Tamd 71a Manual eBook Formats
 - ePub, PDF, MOBI, and More
 - Volvo Tamd 71a Manual Compatibility with Devices
 - Volvo Tamd 71a Manual Enhanced eBook Features
7. Enhancing Your Reading Experience
 - Adjustable Fonts and Text Sizes of Volvo Tamd 71a Manual
 - Highlighting and Note-Taking Volvo Tamd 71a Manual
 - Interactive Elements Volvo Tamd 71a Manual
8. Staying Engaged with Volvo Tamd 71a Manual
 - Joining Online Reading Communities
 - Participating in Virtual Book Clubs
 - Following Authors and Publishers Volvo Tamd 71a Manual
9. Balancing eBooks and Physical Books Volvo Tamd 71a Manual
 - Benefits of a Digital Library
 - Creating a Diverse Reading Collection Volvo Tamd 71a Manual
10. Overcoming Reading Challenges
 - Dealing with Digital Eye Strain
 - Minimizing Distractions
 - Managing Screen Time
11. Cultivating a Reading Routine Volvo Tamd 71a Manual
 - Setting Reading Goals Volvo Tamd 71a Manual
 - Carving Out Dedicated Reading Time
12. Sourcing Reliable Information of Volvo Tamd 71a Manual
 - Fact-Checking eBook Content of Volvo Tamd 71a Manual
 - Distinguishing Credible Sources
13. Promoting Lifelong Learning

- Utilizing eBooks for Skill Development
 - Exploring Educational eBooks
14. Embracing eBook Trends
- Integration of Multimedia Elements
 - Interactive and Gamified eBooks

Volvo Tamd 71a Manual Introduction

In the digital age, access to information has become easier than ever before. The ability to download Volvo Tamd 71a Manual has revolutionized the way we consume written content. Whether you are a student looking for course material, an avid reader searching for your next favorite book, or a professional seeking research papers, the option to download Volvo Tamd 71a Manual has opened up a world of possibilities. Downloading Volvo Tamd 71a Manual provides numerous advantages over physical copies of books and documents. Firstly, it is incredibly convenient. Gone are the days of carrying around heavy textbooks or bulky folders filled with papers. With the click of a button, you can gain immediate access to valuable resources on any device. This convenience allows for efficient studying, researching, and reading on the go. Moreover, the cost-effective nature of downloading Volvo Tamd 71a Manual has democratized knowledge. Traditional books and academic journals can be expensive, making it difficult for individuals with limited financial resources to access information. By offering free PDF downloads, publishers and authors are enabling a wider audience to benefit from their work. This inclusivity promotes equal opportunities for learning and personal growth. There are numerous websites and platforms where individuals can download Volvo Tamd 71a Manual. These websites range from academic databases offering research papers and journals to online libraries with an expansive collection of books from various genres. Many authors and publishers also upload their work to specific websites, granting readers access to their content without any charge. These platforms not only provide access to existing literature but also serve as an excellent platform for undiscovered authors to share their work with the world. However, it is essential to be cautious while downloading Volvo Tamd 71a Manual. Some websites may offer pirated or illegally obtained copies of copyrighted material. Engaging in such activities not only violates copyright laws but also undermines the efforts of authors, publishers, and researchers. To ensure ethical downloading, it is advisable to utilize reputable websites that prioritize the legal distribution of content. When downloading Volvo Tamd 71a Manual, users should also consider the potential security risks associated with online platforms. Malicious actors may exploit vulnerabilities in unprotected websites to distribute malware or steal personal information. To protect themselves, individuals should ensure their devices have reliable antivirus software installed and validate the legitimacy of the websites they are downloading from. In conclusion, the ability to download Volvo Tamd 71a Manual has transformed the way we

access information. With the convenience, cost-effectiveness, and accessibility it offers, free PDF downloads have become a popular choice for students, researchers, and book lovers worldwide. However, it is crucial to engage in ethical downloading practices and prioritize personal security when utilizing online platforms. By doing so, individuals can make the most of the vast array of free PDF resources available and embark on a journey of continuous learning and intellectual growth.

FAQs About Volvo Tamd 71a Manual Books

How do I know which eBook platform is the best for me? Finding the best eBook platform depends on your reading preferences and device compatibility. Research different platforms, read user reviews, and explore their features before making a choice. Are free eBooks of good quality? Yes, many reputable platforms offer high-quality free eBooks, including classics and public domain works. However, make sure to verify the source to ensure the eBook credibility. Can I read eBooks without an eReader? Absolutely! Most eBook platforms offer web-based readers or mobile apps that allow you to read eBooks on your computer, tablet, or smartphone. How do I avoid digital eye strain while reading eBooks? To prevent digital eye strain, take regular breaks, adjust the font size and background color, and ensure proper lighting while reading eBooks. What the advantage of interactive eBooks? Interactive eBooks incorporate multimedia elements, quizzes, and activities, enhancing the reader engagement and providing a more immersive learning experience. Volvo Tamd 71a Manual is one of the best book in our library for free trial. We provide copy of Volvo Tamd 71a Manual in digital format, so the resources that you find are reliable. There are also many Ebooks of related with Volvo Tamd 71a Manual. Where to download Volvo Tamd 71a Manual online for free? Are you looking for Volvo Tamd 71a Manual PDF? This is definitely going to save you time and cash in something you should think about.

Find Volvo Tamd 71a Manual :

suzuki gn250 service manual torrent

[suzuki fb50 repair manual](#)

[suzuki gsf 1250 bandit manual](#)

[suzuki gsx 125fa manual](#)

[suzuki gsf600 repair manual](#)

[suzuki king quad 250 manual](#)

[suzuki gs750 gs 750 1978 repair service manual](#)

[suzuki intruder 1400 service manual 2001](#)
[suzuki gsxr750 gsx r750 2004 service repair manual](#)
[suzuki gsxr1000 gsx r1000 2009 service repair manual](#)
[suzuki gs850gd gs850gld 1979 1983 repair service manual](#)
suzuki gs1000 workshop service manual
~~suzuki gsf 1250 manual deutsch~~
[suzuki gsf600 gsf1200 bandit 1999 repair service manual](#)
[suzuki gsxr600 gsx r600 2001 2002 full service repair manual](#)

Volvo Tamd 71a Manual :

gastronomie restaurantfachleute fachstufen 1 und 2 lernfelder - Apr 10 2023

web gastronomie restaurantfachleute fachstufen 1 und 2 von herrmann f jürgen gebundene ausgabe bei medimops de bestellen gebraucht günstig kaufen sparen

gastgewerbe restaurantfachleute fachstufen 1 und 2 - Aug 14 2023

web gastgewerbe restaurantfachleute fachstufen 1 und 2 das lehrbuch baut inhaltlich und methodisch auf dem lehrbuch

restaurantfachleute lösungen zu arbeitsma verlag - May 31 2022

web açıklama İstanbul da eğitim veren gastronomi ve mutfak sanatları bölümü lisans için hazırlanmış filtreli sayfaya bakmaktasınız Şu anda bakmakta olduğunuz tablo sadece

grundstufe gastronomie gastgewerbe restaurantfachleute - Oct 04 2022

web gastronomi ve mutfak sanatları fakülte lisans bölümünün bulunduğu Üniversiteleri bu sayfa üzerinden görebilir tıklayıp bölümün detay bilgilerine ulaşabilirsiniz

gastronomie restaurantfachleute fachstufen 1 und 2 medimops - Feb 08 2023

web restaurantfachleute fachstufen 1 und 2 die inhalte des arbeitsheftes sind nach den lernfeldern der fachstufen 1 und 2

2023 İstanbul da bulunan gastronomi ve mutfak sanatları taban - Feb 25 2022

web pdf gastronomie restaurantfachleute fachstufen 1 und 2 lernfelder des 2 und 3 ausbildungsjahres für restaurantfachleute kostenlos download das lehrbuch

restaurantfachleute arbeitsmaterialien verlag - Jan 07 2023

web grundstufe gastronomie gastgewerbe restaurantfachleute paket ht 40050 grundstufe gastronomie und ht 40080 gastgewerbe restaurantfachleute

gastronomie restaurantfachleute fachstufen 1 und 2 lernfelder - Apr 29 2022

web was ist eine fachfrau mann für restaurants und veranstaltungsgastronomie sonntagsbrunch familienessen oder hochzeitsdinner dazu gehört nicht nur leckeres

pdf gastronomie restaurantfachleute fachstufen 1 und 2 - Nov 24 2021

arbeitsheft restaurantfachleute fachstufen 1 und 2 thalia - Sep 22 2021

gastgewerbe restaurantfachleute lehrbuch verlag handwerk - Oct 24 2021

gastronomie restaurantfachleute fachstufen 1 und 2 lernfelder - Mar 09 2023

web jul 28 2020 gastronomi ve mutfak sanatları 2020 taban puanları ve başarı sıralamaları Üniversite adı bölüm ve türü puan türü kont taban puanı başarı sırası Özyeğin

grundstufe gastronomie gastgewerbe restaurantfachleute paket - Sep 03 2022

web isbn 978 3 582 40073 4 bestellnummer 40073 niveaustufen berufsausbildung inhalt lösungen zu bestell nr 40072

arbeitsheft restaurantfachleute fachstufen 1 und 2

gastronomi ve mutfak sanatları 2020 taban puanları ve onedio - Dec 06 2022

web 978 3 582 40050 5 gastronomie grundstufe und 978 3 582 40080 2 gastgewerbe restaurantfachleute fachstufen 1 und 2 erhalten sie die bände zum paketpreis das

fachfrau mann für restaurants und veranstaltungsgastronomie - Jan 27 2022

web das lehrbuch für restaurantfachleute baut auf dem lehrbuch gastronomie grundstufe bestell nr 40050 auf praxisorientierte aufgaben bieten impulse für den

gastgewerbe restaurantfachleute verlag handwerk und technik - Jul 13 2023

web gastronomie restaurantfachleute fachstufen 1 und 2 lernfelder des 2 und 3 ausbildungsjahres für restaurantfachleute f jürgen herrmann amazon com tr kitap

restaurantfachleute f jürgen herrmann verlag handwerk - Nov 05 2022

web lösungen zu bestell nr 40072 arbeitsheft restaurantfachleute fachstufen 1 und 2 info material zum titel downloads

gastronomi bölümü ve taban puanları iienstitu - Mar 29 2022

web autor f jürgen herrmann jetzt bewerten die inhalte des arbeitsheftes sind nach den lernfeldern der fachstufen 1 und 2 für restaurantfachleute strukturiert fallbeispiele

restaurantfachleute f jürgen herrmann verlag handwerk - Aug 02 2022

web jun 13 2023 gastronomie restaurantfachleute fachstufen 1 und 2 lernfelder des 2 und 3 ausbildungsjahres für

restaurantfachleute by f jürgen herrmann bestell nr
gastronomİ ve mutfak sanatları fakÜlte - Jul 01 2022

web aug 4 2020 gastronomi ve mutfak sanatları bölümü yiyecek ve içecek kültürünün sanat ve bilime dönüşmüş halidir bu yönüyle hem bir meslek dalı olduğunu hem de bir sanat

grundstufe gastronomie gastgewerbe - May 11 2023

web gastronomie restaurantfachleute fachstufen 1 und 2 lernfelder des 2 und 3 ausbildungsjahres für restaurantfachleute f jürgen herrmann ingrid friebel helmut

gastronomie restaurantfachleute fachstufen 1 und 2 lernfelder - Jun 12 2023

web jun 13 2023 in the direction of them is this gastronomie restaurantfachleute fachstufen 1 und 2 lernfelder des 2 und 3 ausbildungsjahres für

arbeitsheft restaurantfachleute fachstufen 1 und 2 weltbild - Dec 26 2021

web 90 000 schulbücher lernhilfen bei thalia arbeitsheft restaurantfachleute fachstufen 1 und 2 schülers Ausgabe jetzt bestellen

cisd physics unit 9 textra com tw - Dec 29 2022

web cisd physics unit 9 3 3 experimental studies written by an international group of recognized experts the book reviews recent advances in computational modeling and discusses their interplay using experiments it covers a broad range of topics including advanced computational methods for transition metal systems spectroscopic

1 meb Ölçme değerlendirme ve sınav hizmetleri genel - Jun 03 2023

web t ekrrar t 231d mb 221 222 Ölçme değerlendirme ve sınav hzmetler enel müdürlüğü 6ÖqÖi n 1 kamp yerinde kullanmak için yapılacak küçük metal bir cezvenin tutma yeri plastik bir maddeyle kaplanacaktır

cisd physics unit 9 uniport edu ng - Apr 01 2023

web may 1 2023 cisd physics unit 9 1 10 downloaded from uniport edu ng on may 1 2023 by guest cisd physics unit 9 if you ally craving such a referred cisd physics unit 9 ebook that will present you worth acquire the very best seller from us currently from several preferred authors if you want to humorous books lots of

9 sınıf kimya atom ve periyodik sistem testi Çöz testkolik - Nov 27 2022

web sınıf kimya atom ve periyodik sistem test 1 konu kavrama testi emrullah61 orta 24 kasım 2020 testİ ÇÖz 9 sınıf kimya atom ve periyodik sistem test çöz ve puan kazan bu konuda yeni nesil beceri temelli sorular kazanım testleri ile konu kavrama testleri bulunmaktadır bu testi çözerek yazılı sınava etkin bir şekilde

cisd physics unit 9 secure4 khronos - May 22 2022

web jun 13 2023 we reimburse for cisd physics unit 9 and plentiful books gatherings from fictions to scientific researchhh in

any way this is in addition one of the factors by procuring the electronic files of this cisd physics unit 9 by online in the path of them is this cisd physics unit 9 that can be your collaborator

9 sınıf fizik dersi proje konulari ted İstanbul - Jul 04 2023

web sınıf fizik dersi proje konulari ted İstanbul koleji 9 sınıf fizik dersi proje konulari 1 design your lunch box research and experiment in this project you are expected to apply scientific method to a daily life observation design your lunch box 2 baloon rocket car research and experiment in this

ncert solutions for class 9 science chapter 10 gravitation - Feb 16 2022

web ncert solutions class 9 science chapter 10 cbse free pdf download according to the cbse syllabus 2023 24 this chapter has been renumbered as chapter 9 ncert solutions for class 9 science chapter 10 gravitation provides you with the necessary insights into the concepts involved in the chapter detailed answers and explanations

9 sınıf fizik meb kazanım testleri Çöz ısı ve sıcaklık 2 - Apr 20 2022

web 9 1 fizik bilimine giriş testi Çöz fizik biliminin Önemi testi Çöz fiziğin uygulama alanları testi Çöz fiziksel niceliklerin sınıflandırılması testi Çöz bilim araştırma merkezleri testi Çöz 9 2 madde ve Özellikleri testi Çöz madde ve *cisd physics unit 9 uniport edu ng* - May 02 2023

web apr 8 2023 cisd physics unit 9 1 10 downloaded from uniport edu ng on april 8 2023 by guest cisd physics unit 9 this is likewise one of the factors by obtaining the soft documents of this cisd physics unit 9 by online you might not require more get older to spend to go to the books establishment as capably as search for them

cisd physics unit 9 secure4 khronos - Jun 22 2022

web jun 14 2023 you cannot be baffled to enjoy every book gatherings cisd physics unit 9 that we will absolutely offer our cyber library hosts in multiple positions granting you to obtain the lowest lag

cisd physics unit 9 network eve gd - Jul 24 2022

web title cisd physics unit 9 author tristan winkler from network eve gd subject cisd physics unit 9 keywords 9 unit cisd physics created date 2 24 2023 6 17 40 pm

9 sınıf türk dili ve edebiyatı kazanım testleri 2022 2023 - Mar 20 2022

web 9 sınıf türk dili ve edebiyatı kazanım testleri 2022 2023 15 05 2023 09 53 442237 test 1

cisd physics unit 9 uniport edu ng - Sep 25 2022

web jun 20 2023 cisd physics unit 9 2 11 downloaded from uniport edu ng on june 20 2023 by guest graduates and advanced undergraduates benchmarks for science literacy american association for the advancement of science 1994 01 06 published to glowing praise in 1990 science for all americans defined the science

cisd physics unit 9 sgsbenelux internalpublications com - Oct 07 2023

web cisd physics unit 9 reviewing cisd physics unit 9 unlocking the spellbinding force of linguistics in a fast paced world fueled by information and interconnectivity the spellbinding force of linguistics has acquired newfound prominence its capacity to evoke emotions stimulate contemplation and stimulate metamorphosis is actually astonishing

[cisd physics unit 9 evaluaciones 2022 prod gcoop coop](#) - Aug 25 2022

web as this cisd physics unit 9 it ends occurring physical one of the favored books cisd physics unit 9 collections that we have this is why you remain in the best website to look the amazing books to have law enforcement ii alec instructional materials service 2017 09 provides a basic understanding of american crime problems and historical

cisd physics unit 9 uniport edu ng - Feb 28 2023

web sep 19 2023 cisd physics unit 9 2 11 downloaded from uniport edu ng on september 19 2023 by guest relationships between various topics facts and methods it shows the reader which parts of the text are needed for understanding specific aspects of the subject matter interspersed throughout the text are short biographies of key

[cisd physics unit 9 old thekitroom co uk](#) - Sep 06 2023

web cisd physics unit 9 downloaded from old thekitroom co uk by guest douglas nathen electronic structure calculations on graphics processing units oxford university press practical approaches to biological inorganic chemistry second edition reviews the use of spectroscopic and related analytical techniques to investigate the complex structures and

cisim ve sistem arasındaki fark nedir fizik dersi - Aug 05 2023

web nov 2 2020 cisim ve sistem fizikte çok önemli kavramlardır cisimlerin ve sistemlerin kütle ve yük gibi özellikleri vardır cisimlerin iç yapısı olmaz sistemlerin olabilir evrende hem iç yapısı olmayan elektron gibi temel parçacıklar hem de proton ve nötron gibi başka temel parçacıkların bir araya gelmesinden oluşan sistemler vardır

[8 9 10 11 ve 12 sınıflara yönelik sÜreÇ İzleme](#) - Oct 27 2022

web 9 ocak 2022 pazar c grubu sınıf ders başlangıç bitiş 9 İstanbul Ödm 2021 2022 sÜreÇ İzleme uygulaması 9 sınıf tÜrk dilİ ve edebiyatı 09 20 09 50 9 İstanbul Ödm 2021 2022 sÜreÇ İzleme uygulaması 9 sınıf matematİK 10 00 10 30 9 İstanbul Ödm 2021 2022 sÜreÇ İzleme uygulaması 9 sınıf fİZİK 10 40 11 10 9

[physics 9 satın al İstanbul kitapçısı](#) - Jan 30 2023

web physics 9 0 rahim polat oran yayıncılık 190 40 tl yorumlar 0 adet sepete ekle alışveriş listeme ekle açıklama yorumlar physics 9 boyutlar cm 20 x 28 x 0 ağırlık kg 272 teslimat bilgisi genellikle 5 6 gün içinde kargoya verilir anasayfa hakkımızda İletişim mağazalarımız

[cianotipia fotografía antigua y alternativa kağıt kapak](#) - Jul 15 2023

web cianotipia fotografía antigua y alternativa mrhar peter amazon com tr kitap

[cianotipia fotografía antigua y alternativa mrhar peter](#) - Jun 14 2023

web sobre este título reseña del editor cianotipia es un libro novedoso entre la variedad de libros existentes sobre procesos fotográficos tradicionales y alternativos ya que el autor presenta algunas técnicas antiguas y casi olvidadas que

cianotipia fotografía antigua y alternativa amazon com br - Feb 27 2022

web compre online cianotipia fotografía antigua y alternativa de mrhar peter na amazon frete grÁtis em milhares de produtos com o amazon prime encontre diversos livros escritos por mrhar peter com ótimos preços

cianotipia fotografia antigua y alternativa amazon it - Aug 04 2022

web cianotipia es un libro novedoso entre la variedad de libros existentes sobre procesos fotográficos tradicionales y alternativos ya que el autor presenta algunas técnicas antiguas y casi olvidadas que no es posible encontrar en ningún libro reciente

cianotipia fotografia antigua y alternativa - Feb 10 2023

web cianotipia es un libro novedoso entre la variedad de libros existentes sobre procesos fotográficos tradicionales y alternativos ya que el autor presenta algunas técnicas antiguas y casi olvidadas que no es posible encontrar en ningún libro reciente origen españa

amazon com cianotipia fotografia antigua y alternativa - Jan 09 2023

web amazon com cianotipia fotografia antigua y alternativa spanish edition 9781496108920 mrhar peter libros

cianotipia fotografia antigua y alternativa alibris - Jun 02 2022

web cianotipia es un libro novedoso entre la variedad de libros existentes sobre procesos fotográficos tradicionales y alternativos ya que el autor presenta algunas técnicas antiguas y casi olvidadas que no es posible encontrar en ningún libro reciente

cianotipia fotografia antigua alternativa de peter mrhar iberlibro - Dec 08 2022

web cianotipia fotografia antigua y alternativa de peter mrhar y una gran selección de libros arte y artículos de colección disponible en iberlibro com

cianotipia fotografia antigua y alternativa tapa blanda - Aug 16 2023

web cianotipia es un libro novedoso entre la variedad de libros existentes sobre procesos fotográficos tradicionales y alternativos ya que el autor presenta algunas técnicas antiguas y casi olvidadas que no es posible encontrar en ningún libro reciente

cianotipia libro de fotografía antigua y alternativa - Mar 11 2023

web nov 15 2021 conocerás las antiguas técnicas de revelado que podrás aplicar en la actualidad en tus revelados caseros conocer estos pequeños detalles de los artistas de referencia es un gran avance para dar un paso más en tu creatividad

técnicas primitivas en fotografía la cianotipia workshop - Mar 31 2022

web jun 3 2019 fue así como surgió la cianotipia o blueprint un técnica primitiva de impresión que fue muy popular en el mundo de la fotografía este proceso se basa en la mezcla en proporción 1 1 es decir a partes iguales de dos compuestos químicos una solución al 20 de citrato de hierro amoniacal y una solución al 8 de ferricianuro de

cianotipia fotografia antigua y alternativa mollye pdf - Dec 28 2021

web cianotipia fotografia antigua y alternativa verfasser peter mrhar isbn 6772856049008 libro you be able to obtain this ebook i bring downloads as a pdf amazon dx word txt ppt rar and zip there are many

cianotipia el resurgimiento de un proceso fotográfico del siglo xix - Nov 07 2022

web se trata del antiguo procedimiento de la cianotipia ideado en 1842 por el astrónomo john herschel durante sus inicios fue una técnica utilizada principalmente para copiar planos de arquitectura actualmente es utilizada para fines artísticos el centro de la imagen con el fin de capacitar a nuevos fotógrafos con estos procesos

la cianotipia como recurso en el arte contemporáneo una luz - Sep 05 2022

web de los procesos fotográficos antiguos y alternativos como alternative photography² o analog forever magazine³ entre otros a través de internet también se difunde el día mundial de la cianotipia que se celebra desde 2015 el último sábado del mes de septiembre y que cuenta con su propia página web⁴ en españa también han

cianotipia fotografia antigua y alternativa pasta blanda - Jul 03 2022

web cianotipia fotografía antigua y alternativa mrhar peter amazon com mx libros identificarse eres un cliente nuevo empieza aquí listas crear una wish list mesa de regalos de bebé mesa de regalos de boda mi cuenta

gratis cianotipia fotografía antigua y alternativa de peter mrhar - Jan 29 2022

web jan 12 2020 reseña del editor cianotipia es un libro novedoso entre la variedad de libros existentes sobre procesos fotográficos tradicionales y alternativos ya que el autor presenta algunas técnicas antiguas y casi olvidadas que no es

cianotipia fotografia antigua y alternativa librería agapea - Oct 06 2022

web feb 28 2014 comprar el libro cianotipia fotografia antigua y alternativa de peter mrhar createspace 9781496108920 con envío gratis desde 18 en nuestra librería online agapea com ver opiniones resumen sinopsis del libro

cianotipia fotografia antigua y alternativa spanish edition - May 13 2023

web feb 28 2014 cianotipia es un libro novedoso entre la variedad de libros existentes sobre procesos fotográficos tradicionales y alternativos ya que el autor presenta algunas técnicas antiguas y casi olvidadas que no es posible encontrar en ningún libro reciente

cianotipia fotografia antigua y alternativa - Apr 12 2023

web cianotipia es un libro novedoso entre la variedad de libros existentes sobre procesos fotográficos tradicionales y alternativos ya que el autor presenta algunas técnicas antiguas y casi olvidadas que no es posible encontrar en ningún libro

reciente

cianotipia fotografía antigua y alternativa by peter mrhar 2014 - May 01 2022

web feb 28 2014 find many great new used options and get the best deals for cianotipia fotografía antigua y alternativa by peter mrhar 2014 trade paperback at the best online prices at ebay free shipping for many products