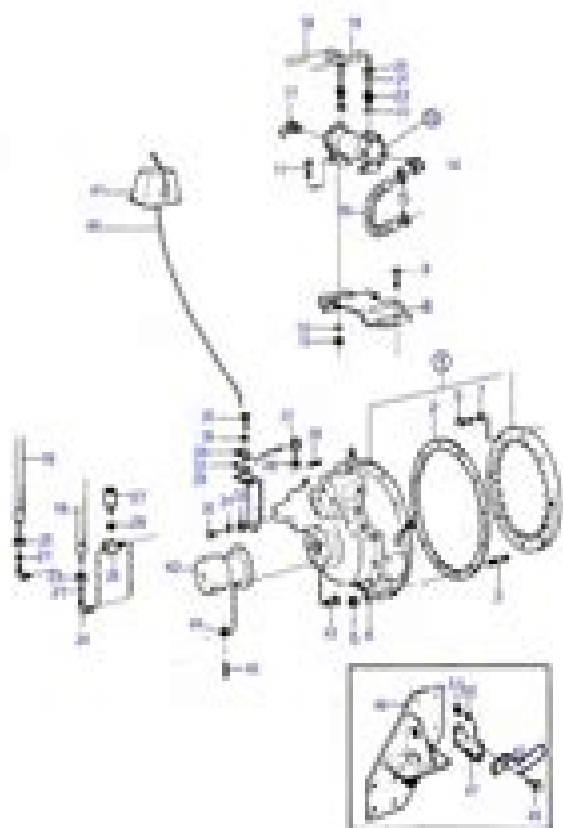


Trabec



100

OPERATIONS

ITEM

WDA-A-00-04-0000



TRABEC, TRABEC-A, TRABEC-A

Trabec

REF.	PART NO.	QTY	DESCRIPTION	REF. NO.	NOTES
			Pinion, 1st, 1.07		
			Pinion, 2nd, 1.07		
			Pinion, 3rd, 1.07		
			Pinion, 4th, 1.07		
			Pinion, 5th, 1.07		
			Pinion, 6th, 1.07		
			Pinion, 7th, 1.07		
			Pinion, 8th, 1.07		
			Pinion, 9th, 1.07		
			Pinion, 10th, 1.07		
			Pinion, 11th, 1.07		
			Pinion, 12th, 1.07		
			Pinion, 13th, 1.07		
			Pinion, 14th, 1.07		
			Pinion, 15th, 1.07		
			Pinion, 16th, 1.07		
			Pinion, 17th, 1.07		
			Pinion, 18th, 1.07		
			Pinion, 19th, 1.07		
			Pinion, 20th, 1.07		
			Pinion, 21st, 1.07		
			Pinion, 22nd, 1.07		
			Pinion, 23rd, 1.07		
			Pinion, 24th, 1.07		
			Pinion, 25th, 1.07		
			Pinion, 26th, 1.07		
			Pinion, 27th, 1.07		
			Pinion, 28th, 1.07		
			Pinion, 29th, 1.07		
			Pinion, 30th, 1.07		
			Pinion, 31st, 1.07		
			Pinion, 32nd, 1.07		
			Pinion, 33rd, 1.07		
			Pinion, 34th, 1.07		
			Pinion, 35th, 1.07		
			Pinion, 36th, 1.07		
			Pinion, 37th, 1.07		
			Pinion, 38th, 1.07		
			Pinion, 39th, 1.07		
			Pinion, 40th, 1.07		
			Pinion, 41st, 1.07		
			Pinion, 42nd, 1.07		
			Pinion, 43rd, 1.07		
			Pinion, 44th, 1.07		
			Pinion, 45th, 1.07		
			Pinion, 46th, 1.07		
			Pinion, 47th, 1.07		
			Pinion, 48th, 1.07		
			Pinion, 49th, 1.07		
			Pinion, 50th, 1.07		
			Pinion, 51st, 1.07		
			Pinion, 52nd, 1.07		
			Pinion, 53rd, 1.07		
			Pinion, 54th, 1.07		
			Pinion, 55th, 1.07		
			Pinion, 56th, 1.07		
			Pinion, 57th, 1.07		
			Pinion, 58th, 1.07		
			Pinion, 59th, 1.07		
			Pinion, 60th, 1.07		
			Pinion, 61st, 1.07		
			Pinion, 62nd, 1.07		
			Pinion, 63rd, 1.07		
			Pinion, 64th, 1.07		
			Pinion, 65th, 1.07		
			Pinion, 66th, 1.07		
			Pinion, 67th, 1.07		
			Pinion, 68th, 1.07		
			Pinion, 69th, 1.07		
			Pinion, 70th, 1.07		
			Pinion, 71st, 1.07		
			Pinion, 72nd, 1.07		
			Pinion, 73rd, 1.07		
			Pinion, 74th, 1.07		
			Pinion, 75th, 1.07		
			Pinion, 76th, 1.07		
			Pinion, 77th, 1.07		
			Pinion, 78th, 1.07		
			Pinion, 79th, 1.07		
			Pinion, 80th, 1.07		
			Pinion, 81st, 1.07		
			Pinion, 82nd, 1.07		
			Pinion, 83rd, 1.07		
			Pinion, 84th, 1.07		
			Pinion, 85th, 1.07		
			Pinion, 86th, 1.07		
			Pinion, 87th, 1.07		
			Pinion, 88th, 1.07		
			Pinion, 89th, 1.07		
			Pinion, 90th, 1.07		
			Pinion, 91st, 1.07		
			Pinion, 92nd, 1.07		
			Pinion, 93rd, 1.07		
			Pinion, 94th, 1.07		
			Pinion, 95th, 1.07		
			Pinion, 96th, 1.07		
			Pinion, 97th, 1.07		
			Pinion, 98th, 1.07		
			Pinion, 99th, 1.07		
			Pinion, 100th, 1.07		

WDA-A-00-04-0000

ITEM

OPERATIONS

TRABEC, TRABEC-A, TRABEC-A



# Volvo Tamd63p Sho Manual

**Joan Coles, Clarence W. Coles**

## **Volvo Tamd63p Sho Manual:**

**Volvo Penta Stern Drive Shop Manual 2001-2004** Penton Staff,2000-05-24 30GS 3 0L in line 4 cylinder 135 HP 43GL 4 3L V 6 160 HP 43GI 4 3L V 6 180 HP 43GXI 4 3L V 6 210 HP 50GL 5 0L V 8 220 HP 50GI 5 0L V 8 250 HP 50GXI 5 0L V 8 270 HP 57GS 5 7L V 8 225 HP 57GS 5 7L V 8 250 HP 57GSI 5 7L V 8 280 H [VOLVO PENTA MD 5](#) Volvo Penta,2015-04-13 [VOLVO PENTA MD2010, MD2020, MD2030, MD2040](#) Volvo Penta,2014-03-02 *VOLVO PENTA MD 11C, C, MD 17C, D* Volvo Penta,2014-03-01 **Volvo Stern Drive Shop Manual** Lahue,1989-10-01 **Volvo Service Manual** Volvo, Aktiebolaget,1966 **Volvo S40 and V50 Diesel Owner's Workshop Manual, 07-13** Chris Randall,2016-10 *Volvo S40 and V50 Petrol and Diesel Service and Repair Manual* Martynn Randall,2008 S40 Saloon V50 Estate inc special limited editions Does NOT cover Classic T5 or AWD four wheel drive models or facelifted range introduced July 2007 Petrol 1 8 litre 1798cc 2 0 litre 1999cc 2 4 litre 2435cc Does NOT cover 1 6 litre or 2 5 litre petrol engines Turbo Diesel 2 0 litre 1988cc Does NOT cover 1 6 litre or 2 4 litre diesel engines **Volvo Stern Drive 68-1993** Penton Staff,2000-05-24 Volvo Engines Pushrod AQ105A AQ115A B AQ130C D 4 Cylinder AQ165A AQ170A B C 6 Cylinder Overhead Cam AQ120B AQ125A B AQ131A B C D AQ140A AQ145A B AQ151A B C AQ171A C 230 250 251 4 Cylinder Ford Engines 302 V8 AQ190A 351W V8 [Volvo F/G 89 Service Manual](#) Volvo,197? **Volvo 240 Series, 1976-1988 Shop Manual** Ed Scott,1989 *Volvo Stern Drive Shop Manual, 1968-1989 ,1990 Volvo S40 and V50 Diesel (07-13) 07 to 62* Chris Randall,2013-01-01 Part of the Haynes Service and Repair Manual Series this title covers Volvo S40 and V50 diesel cars made between 2007 and 2013 **Volvo-Penta Stern Drives, 1992-93** Joan Coles,Clarence W. Coles,1998-03 SELOC Marine maintenance and repair manuals offer the most comprehensive authoritative information available for outboard inboard stern drive and diesel engines as well as personal watercraft SELOC has been the leading source of how to information for the marine industry since 1974 Designed and written to serve the needs of the professional mechanic do it yourself boat enthusiast instructor and student these manuals are based on actual teardowns done by Chilton Marine s editors authors in our on site facility Providing complete coverage on everything from basic maintenance to engine overhaul every manual features Simple to follow step by step illustrated procedures Hundreds of exploded drawings photographs and tables Troubleshooting sections accurate specifications and wiring diagrams Recognized and used by technical trade schools as well as the U S military Covers all Single SP and Duo Prop DP models powered by Volvo 4 cylinder engines Over 750 illustrations *Volvo 240, 1975-1979 Shop Manual* Ray Hoy,Eric Jorgensen,1980 **Volvo Stern Drive Shop Manual, 1968-1993** ,1994 *Volvo Service* ,1985\* **Clymer Volvo Penta Stern Drive Shop Manual, 1994-1996** ,1997 *Volvo Volvo,* **Volvo S70 and S70 T5 Td04** Brian Smothers,2013-03 What this book is Complete shop manual and turbo rebuild guide for the turbocharger found on most Volvo S70 and S70 T5 cars written by an industry professional Contains teardown inspection and cleaning guides re machining specs torque specs and rebuild guide Have you seen the

turbo rebuild kits for sale online Have you read some of the do it yourself turbo rebuild guides on the internet that tell you to take the turbo apart replace some parts and put the turbo back together Are you wondering if you can rebuild a turbocharger yourself Don t believe everything you read on the internet turbocharger repair is a little more complicated than just taking things apart and putting them back together but with the right guide you can fix your turbocharger From the only correct and complete series of turbo rebuild guide books this step by step turbo rebuild guide book tells you how to take your turbocharger apart how to inspect it how to fix it and how to put it back together the right way Buy this guide before you buy any turbo rebuild kits parts or a new turbo you may be able to save thousands of dollars Suitable for turbochargers with the following part numbers 454561 454561 1275089 6842744 8601070 8601226 8601227 8601238 8601239 8601362 8601456 8601457 8601461 8601692 8601692 8601693 8602394 9146785 9185628 9404780 9454559 9471653 49189 01300 49189 01320 49189 01335 49189 01360 49189 01365 49189 01370 49189 01375 49189 01455 49189 05010 49189 05100 49189 05111 49189 05211 49189 05300 49189 05310 49189 05400 49189 05401 49189 05410 49189 05411 49377 06100 49377 06101 49377 06110 49377 06114 49189 01435

Immerse yourself in the artistry of words with Crafted by is expressive creation, Immerse Yourself in **Volvo Tamd63p Sho Manual** . This ebook, presented in a PDF format ( \*), is a masterpiece that goes beyond conventional storytelling. Indulge your senses in prose, poetry, and knowledge. Download now to let the beauty of literature and artistry envelop your mind in a unique and expressive way.

[https://about.livewellcolorado.org/files/browse/index.jsp/Uncle\\_Bens\\_Rice\\_Quiche\\_Recipe.pdf](https://about.livewellcolorado.org/files/browse/index.jsp/Uncle_Bens_Rice_Quiche_Recipe.pdf)

## **Table of Contents Volvo Tamd63p Sho Manual**

1. Understanding the eBook Volvo Tamd63p Sho Manual
  - The Rise of Digital Reading Volvo Tamd63p Sho Manual
  - Advantages of eBooks Over Traditional Books
2. Identifying Volvo Tamd63p Sho Manual
  - Exploring Different Genres
  - Considering Fiction vs. Non-Fiction
  - Determining Your Reading Goals
3. Choosing the Right eBook Platform
  - Popular eBook Platforms
  - Features to Look for in an Volvo Tamd63p Sho Manual
  - User-Friendly Interface
4. Exploring eBook Recommendations from Volvo Tamd63p Sho Manual
  - Personalized Recommendations
  - Volvo Tamd63p Sho Manual User Reviews and Ratings
  - Volvo Tamd63p Sho Manual and Bestseller Lists
5. Accessing Volvo Tamd63p Sho Manual Free and Paid eBooks
  - Volvo Tamd63p Sho Manual Public Domain eBooks
  - Volvo Tamd63p Sho Manual eBook Subscription Services
  - Volvo Tamd63p Sho Manual Budget-Friendly Options

6. Navigating Volvo Tamd63p Sho Manual eBook Formats
  - ePub, PDF, MOBI, and More
  - Volvo Tamd63p Sho Manual Compatibility with Devices
  - Volvo Tamd63p Sho Manual Enhanced eBook Features
7. Enhancing Your Reading Experience
  - Adjustable Fonts and Text Sizes of Volvo Tamd63p Sho Manual
  - Highlighting and Note-Taking Volvo Tamd63p Sho Manual
  - Interactive Elements Volvo Tamd63p Sho Manual
8. Staying Engaged with Volvo Tamd63p Sho Manual
  - Joining Online Reading Communities
  - Participating in Virtual Book Clubs
  - Following Authors and Publishers Volvo Tamd63p Sho Manual
9. Balancing eBooks and Physical Books Volvo Tamd63p Sho Manual
  - Benefits of a Digital Library
  - Creating a Diverse Reading Collection Volvo Tamd63p Sho Manual
10. Overcoming Reading Challenges
  - Dealing with Digital Eye Strain
  - Minimizing Distractions
  - Managing Screen Time
11. Cultivating a Reading Routine Volvo Tamd63p Sho Manual
  - Setting Reading Goals Volvo Tamd63p Sho Manual
  - Carving Out Dedicated Reading Time
12. Sourcing Reliable Information of Volvo Tamd63p Sho Manual
  - Fact-Checking eBook Content of Volvo Tamd63p Sho Manual
  - Distinguishing Credible Sources
13. Promoting Lifelong Learning
  - Utilizing eBooks for Skill Development
  - Exploring Educational eBooks
14. Embracing eBook Trends
  - Integration of Multimedia Elements

- Interactive and Gamified eBooks

## **Volvo Tamd63p Sho Manual Introduction**

In today's digital age, the availability of Volvo Tamd63p Sho Manual books and manuals for download has revolutionized the way we access information. Gone are the days of physically flipping through pages and carrying heavy textbooks or manuals. With just a few clicks, we can now access a wealth of knowledge from the comfort of our own homes or on the go. This article will explore the advantages of Volvo Tamd63p Sho Manual books and manuals for download, along with some popular platforms that offer these resources. One of the significant advantages of Volvo Tamd63p Sho Manual books and manuals for download is the cost-saving aspect. Traditional books and manuals can be costly, especially if you need to purchase several of them for educational or professional purposes. By accessing Volvo Tamd63p Sho Manual versions, you eliminate the need to spend money on physical copies. This not only saves you money but also reduces the environmental impact associated with book production and transportation. Furthermore, Volvo Tamd63p Sho Manual books and manuals for download are incredibly convenient. With just a computer or smartphone and an internet connection, you can access a vast library of resources on any subject imaginable. Whether you're a student looking for textbooks, a professional seeking industry-specific manuals, or someone interested in self-improvement, these digital resources provide an efficient and accessible means of acquiring knowledge. Moreover, PDF books and manuals offer a range of benefits compared to other digital formats. PDF files are designed to retain their formatting regardless of the device used to open them. This ensures that the content appears exactly as intended by the author, with no loss of formatting or missing graphics. Additionally, PDF files can be easily annotated, bookmarked, and searched for specific terms, making them highly practical for studying or referencing. When it comes to accessing Volvo Tamd63p Sho Manual books and manuals, several platforms offer an extensive collection of resources. One such platform is Project Gutenberg, a nonprofit organization that provides over 60,000 free eBooks. These books are primarily in the public domain, meaning they can be freely distributed and downloaded. Project Gutenberg offers a wide range of classic literature, making it an excellent resource for literature enthusiasts. Another popular platform for Volvo Tamd63p Sho Manual books and manuals is Open Library. Open Library is an initiative of the Internet Archive, a non-profit organization dedicated to digitizing cultural artifacts and making them accessible to the public. Open Library hosts millions of books, including both public domain works and contemporary titles. It also allows users to borrow digital copies of certain books for a limited period, similar to a library lending system. Additionally, many universities and educational institutions have their own digital libraries that provide free access to PDF books and manuals. These libraries often offer academic texts, research papers, and technical manuals, making them invaluable resources for students and researchers. Some notable examples include MIT OpenCourseWare, which offers free access to course materials from the Massachusetts Institute of

Technology, and the Digital Public Library of America, which provides a vast collection of digitized books and historical documents. In conclusion, Volvo Tamd63p Sho Manual books and manuals for download have transformed the way we access information. They provide a cost-effective and convenient means of acquiring knowledge, offering the ability to access a vast library of resources at our fingertips. With platforms like Project Gutenberg, Open Library, and various digital libraries offered by educational institutions, we have access to an ever-expanding collection of books and manuals. Whether for educational, professional, or personal purposes, these digital resources serve as valuable tools for continuous learning and self-improvement. So why not take advantage of the vast world of Volvo Tamd63p Sho Manual books and manuals for download and embark on your journey of knowledge?

### **FAQs About Volvo Tamd63p Sho Manual Books**

1. Where can I buy Volvo Tamd63p Sho Manual books? Bookstores: Physical bookstores like Barnes & Noble, Waterstones, and independent local stores. Online Retailers: Amazon, Book Depository, and various online bookstores offer a wide range of books in physical and digital formats.
2. What are the different book formats available? Hardcover: Sturdy and durable, usually more expensive. Paperback: Cheaper, lighter, and more portable than hardcovers. E-books: Digital books available for e-readers like Kindle or software like Apple Books, Kindle, and Google Play Books.
3. How do I choose a Volvo Tamd63p Sho Manual book to read? Genres: Consider the genre you enjoy (fiction, non-fiction, mystery, sci-fi, etc.). Recommendations: Ask friends, join book clubs, or explore online reviews and recommendations. Author: If you like a particular author, you might enjoy more of their work.
4. How do I take care of Volvo Tamd63p Sho Manual books? Storage: Keep them away from direct sunlight and in a dry environment. Handling: Avoid folding pages, use bookmarks, and handle them with clean hands. Cleaning: Gently dust the covers and pages occasionally.
5. Can I borrow books without buying them? Public Libraries: Local libraries offer a wide range of books for borrowing. Book Swaps: Community book exchanges or online platforms where people exchange books.
6. How can I track my reading progress or manage my book collection? Book Tracking Apps: Goodreads, LibraryThing, and Book Catalogue are popular apps for tracking your reading progress and managing book collections. Spreadsheets: You can create your own spreadsheet to track books read, ratings, and other details.
7. What are Volvo Tamd63p Sho Manual audiobooks, and where can I find them? Audiobooks: Audio recordings of books,



- perfect for listening while commuting or multitasking. Platforms: Audible, LibriVox, and Google Play Books offer a wide selection of audiobooks.
8. How do I support authors or the book industry? Buy Books: Purchase books from authors or independent bookstores. Reviews: Leave reviews on platforms like Goodreads or Amazon. Promotion: Share your favorite books on social media or recommend them to friends.
  9. Are there book clubs or reading communities I can join? Local Clubs: Check for local book clubs in libraries or community centers. Online Communities: Platforms like Goodreads have virtual book clubs and discussion groups.
  10. Can I read Volvo Tamd63p Sho Manual books for free? Public Domain Books: Many classic books are available for free as they're in the public domain. Free E-books: Some websites offer free e-books legally, like Project Gutenberg or Open Library.

## **Find Volvo Tamd63p Sho Manual :**

### **uncle bens rice quiche recipe**

[unam undergraduate application forms](#)

[understanding psychology 11th edition test bank](#)

[une nuit de fantasmes passions extrêmes](#)

### **understanding the speechmaking process**

[understanding rachel carson s silent spring alex macgillivray](#)

[unidad 1 leccion 1 answers](#)

[uncle fred in the springtime blandings castle](#)

[understanding the times 2nd edition test questions](#)

### **unexpected inconsistency run fsck manually ubuntu**

### **understanding med surg test bank**

[understanding sca service component architecture michael rowley](#)

### **uncivilized kindle edition sawyer bennett**

[uniden 58 ghz digital answering system manual](#)

[understanding business 8th edition](#)

**Volvo Tamd63p Sho Manual :**

Mosby's Pharmacology Memory NoteCards Mnemonics and other proven memory aids help you grasp and remember even the most complex concepts. UNIQUE! More than 100 colorful cartoons offer humorous and ... Mosby's Pharmacology Memory NoteCards: Visual, ... These durable, portable cards use mnemonics and other time-tested learning aids to help you prepare for class, clinicals, and the NCLEX® examination. Created by ... Mosby's Pharmacology Memory NoteCards - E-Book Mosby's Pharmacology Memory NoteCards - E-Book: Visual, Mnemonic, and Memory Aids for Nurses · eBook · \$18.99 \$24.99 Save 24% Current price is \$18.99, Original ... Mosby's Pharmacology Memory NoteCards - 9780323661911 Mnemonics and other proven memory aids help you grasp and remember even the most complex concepts. UNIQUE! More than 100 colorful cartoons offer humorous and ... Mosby's Pharmacology Memory NoteCards 4th edition Mosby's Pharmacology Memory NoteCards: Visual, Mnemonic, and Memory Aids for Nurses 4th Edition is written by JoAnn Zerwekh, Jo Carol Claborn and published ... Mosby's Pharmacology Memory NoteCards, 6th Edition Mnemonics and other proven memory aids help you grasp and remember even the most complex concepts. UNIQUE! More than 100 colorful cartoons offer humorous and ... Mosbys Pharmacology Memory NoteCards: ... Using a wide variety of learning aids, humor, illustrations, and mnemonics, this valuable tool helps you master pharmacology in class, in clinicals, and in ... Mosby's Pharmacology Memory NoteCards: 7th edition Bring your pharmacology review to life with more than 100 colorful flashcards! Mosby's Pharmacology Memory NoteCards: Visual, Mnemonic, & Memory Aids for Nurses ... Visual, Mnemonic, & Memory Aids for Nurses Mosby's Pharmacology Memory NoteCards: Visual, Mnemonic, & Memory Aids for Nurses ... Nurses, 4th Edition uses humor and illustrations to make studying easier ... visual, mnemonic, and memory aids for nurses Mosby's pharmacology memory notecards : visual, mnemonic, and memory aids for nurses ... 4th Edition uses humor and illustrations to make studying easier and ... Troy-Bilt 190-cc 21-in Self-propelled Gas Lawn ... Troy-Bilt 190-cc 21-in Self-propelled Gas Lawn Mower with Briggs & Stratton Engine. Item #317775 |. Model #12AVB26M011. Troy-Bilt 6.75 Torque 21" Cut Self-Propelled Mower Troy-Bilt 6.75 Torque 21" Cut Self-Propelled Mower · Briggs & Stratton 675 Series no-choke, no-prime engine for very easy starting · Single-speed front-wheel ... TROY BILT 21" BRIGGS QUANTUM 190CC 6.75 ... - YouTube Troy-Bilt 6.75 Torque Push Lawn Mower Reviews It starts right away 90% of the time and almost never conks out. It does not get bogged down in thick grass either. The engine size is 190 cc and has a torque ... TB230B XP High-Wheel Self-Propelled Mower 9-position height adjustment makes it easy to change cutting heights from .75" - 2.5". Side Discharging. side-discharge-mower. Side discharge ... Troy-Bilt Self Propelled Lawn Mower - Model 12AV556O711 Find parts and product manuals for your Troy-Bilt Self Propelled Lawn Mower Model 12AV556O711. Free shipping on parts orders over \$45. TB210B Self-Propelled Lawn Mower Drive System. Drive System FWD. Cutting Deck. Deck Cutting Width 21 in; Deck Wash Yes; Deck Material Steel; Cutting Height Range 1.25" - 3.75"; Deck Positions 6 ... Troy-Bilt Self Propelled Lawn Mower - Model 12AV566M011 Find

parts and product manuals for your 21" Troy-Bilt Self-Propelled Lawn Mower. Free shipping on parts orders over \$45. Troy-Bilt - Self Propelled Lawn Mowers Get free shipping on qualified Troy-Bilt Self Propelled Lawn Mowers products or Buy Online Pick Up in Store today in the Outdoors Department. Self-Propelled Mowers | Troy-Bilt US Single-speed front-wheel drive maneuvers easily around the yard and when turning at the end of a row. Dual-lever, 6-position height adjustment makes it easy ... The confident student Summary: Tackle all of your college courses with confidence! Print Book, English, 2014. Edition: 8th edition View all formats and editions. Publisher ... The Confident Student (Textbook-specific CSFI) This practical and accessible text features self-discovery, self-assessment and confidence-building activities to keep students motivated and help them develop ... The Confident Student 8th Edition by: Carol C. Kanar This practical and accessible text features self-discovery, self-assessment and confidence-building activities to keep students motivated and help them develop ... The confident student : Kanar, Carol C : Free Download ... Nov 29, 2010 — The confident student ; Publication date: 2001 ; Topics: Study skills, Time management, Critical thinking, Confidence, College student orientation. The Confident Student - Carol C. Kanar The Eighth Edition delivers more explicit critical-thinking instruction in every chapter. New Thinking with Bloom activities encourage active reading and ... The Confident Student 8th edition 9781285625812 The Confident Student 8th Edition is written by Carol C. Kanar and published by Cengage Learning. The Digital and eTextbook ISBNs for The Confident Student ... The Confident Student, 8th Edition - 9781133316473 This practical and accessible text features self-discovery, self-assessment and confidence-building activities to keep students motivated and help them develop ... Confident Student 8th Edition - nqmama.net Get Instant Access to PDF Read Books Confident Student 8th Edition at our eBook Document Library 1/4 Confident Student 8th Edition Confident Student 8th Edition The Confident Student, 8th Edition: Carol C. Kanar Dec 4, 2012 — This practical and accessible text features self-discovery, self-assessment and confidence-building activities to keep students motivated and ... The Confident Student - Carol C. Kanar Jan 1, 2013 — The Eighth Edition delivers more explicit critical-thinking instruction in every chapter. New Thinking with Bloom activities encourage active ...