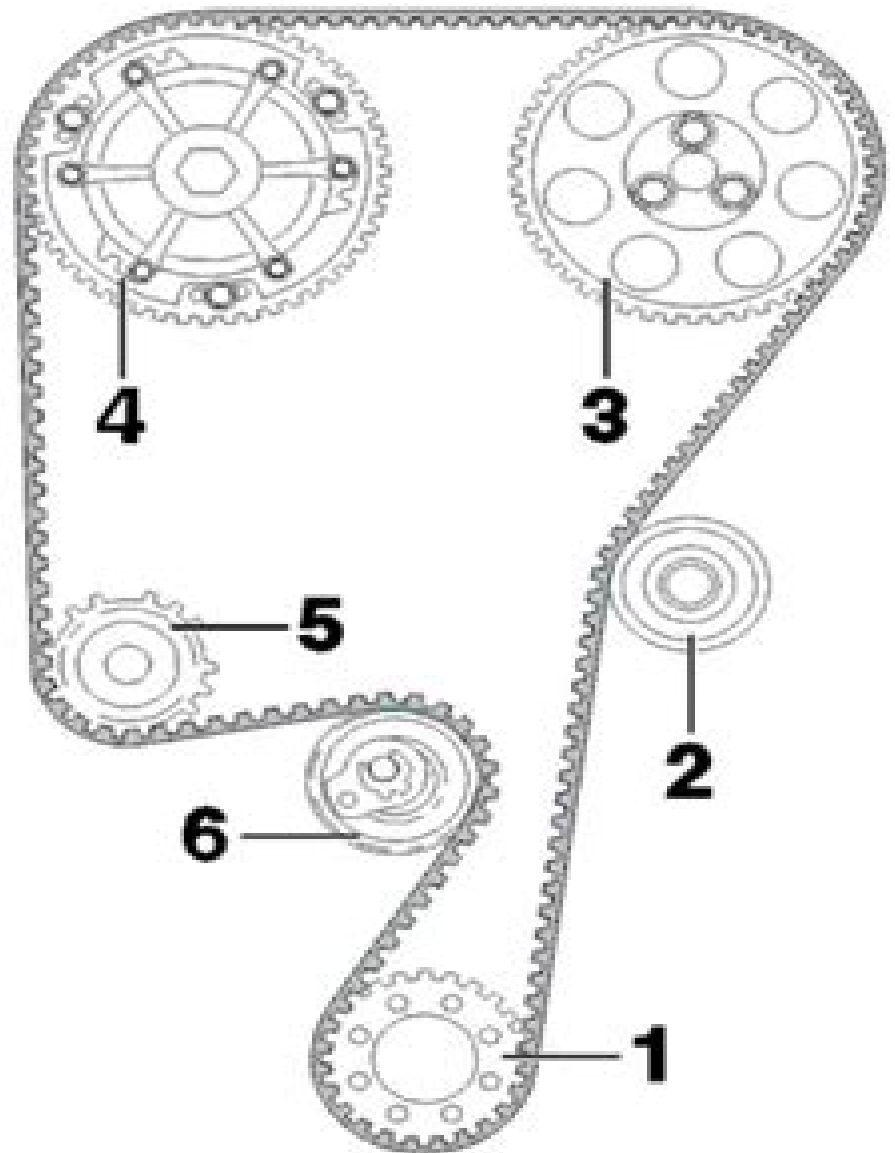
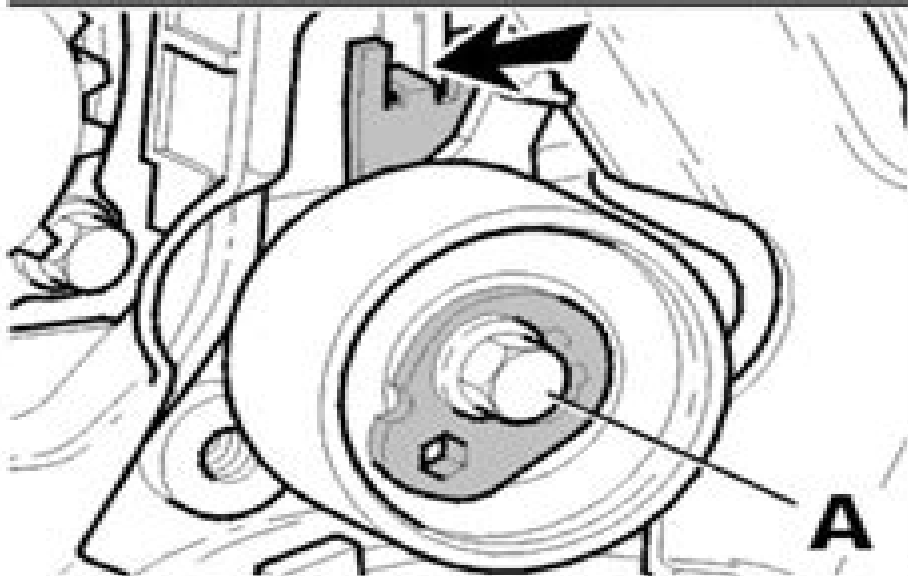
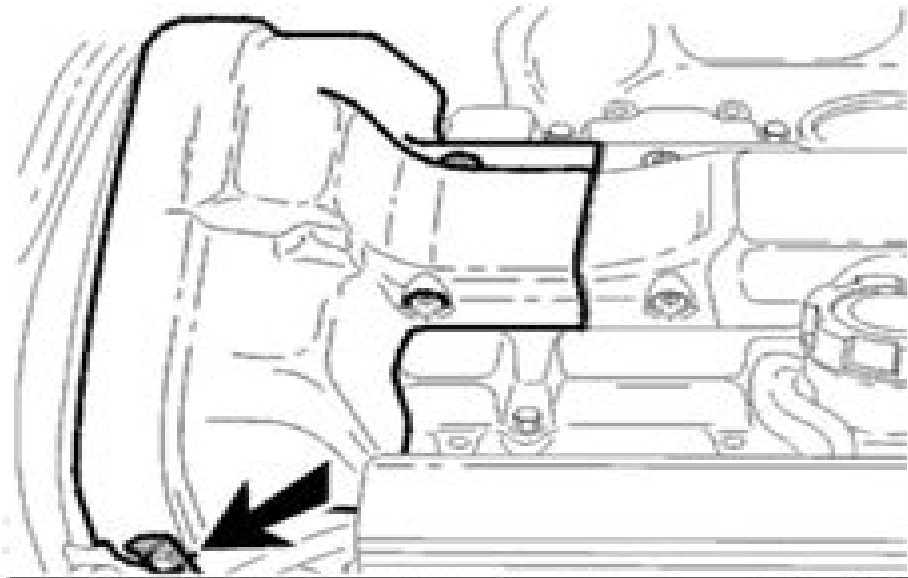


2001 Volvo S40

Fig. 133: Installing Timing Belt And Tensioner Pulley
Courtesy of VOLVO CARS OF NORTH AMERICA.



Volvo V50 Turbo Diesel Timing Belt Manual

Ian Barnes



Volvo V50 Turbo Diesel Timing Belt Manual:

Car and Driver ,2004-07 **Volvo S40 and V50 Diesel Owner's Workshop Manual, 07-13** Chris Randall,2016-10

Volvo S40 and V50 Petrol and Diesel Service and Repair Manual Martynn Randall,2008 S40 Saloon V50 Estate inc special limited editions Does NOT cover Classic T5 or AWD four wheel drive models or facelifted range introduced July 2007 Petrol 1 8 litre 1798cc 2 0 litre 1999cc 2 4 litre 2435cc Does NOT cover 1 6 litre or 2 5 litre petrol engines Turbo Diesel 2 0 litre 1988cc Does NOT cover 1 6 litre or 2 4 litre diesel engines **Volvo S40 and V50 Diesel (07-13) 07 to 62** Chris

Randall,2013-01-01 Part of the Haynes Service and Repair Manual Series this title covers Volvo S40 and V50 diesel cars made between 2007 and 2013 **Volvo S40 & V50 Petrol & Diesel (Mar 04 -03) 04 to 13** Mark Storey,2019-03-07

Timing Belt Manual , Ford Timing Belt Renewal Manual Ian Barnes,1998 Details for access to timing belts renewal and tensioning procedures and fault finding on Ford cars with timing belts **Gilmer "timing" Belt Standard Drive**

Manual New York Belting and Packing Company. Timing Belt Division,1952 2005 Spanish Edition Timing Belt Manual Autodata,2005-06-01 The Spanish 2005 Edition Timing Belt Manual provides all the information required for the inspection

replacement and tensioning of timing belts on domestic and imported cars vans and light trucks from 1992 2004 **Timing Belt Replacement Guide** John R. Lypen,1999 Timing Belt Replacement Manual ,1997 **Mitchell Repair**

Information Company Timing Belt Replacement Manual ,2001 *Timing Belt Service* Mitchell Repair Information Company,2001 **Volvo V 70 & S80** Martynn Randall,2006 In this book Martyn Randall provides a service and repair

manual for the Volvo V70 and Volvo S80 automobile *Automotive Austin/Rover Timing Belts Manual* Ian Barnes,1999

Chilton's Timing Belt Service Manual Np-Chilton,The Nichols/Chilton,1999 A model specific easy to use guide for general information on the replacement inspection and installation of timing belts for all domestic cars import cars tracks and vans It also includes detailed illustrations of timing mark locations and belt positioning Timing Belt Service Manual ,2000

2002 Timing Belts Manual Spanish Autodata,2002-01-01 Autodata has gained a national reputation for providing simplified illustrations clear and concise instructions listing of special tools and accurate labor times in an easy to use format The 2002 Spanish Edition Timing Belt Manual provides all the information required for the inspection replacement and tensioning of timing belts on domestic and imported cars vans and light trucks from 1985 thru 2001 in the Spanish language

Chilton's Timing Belt Service Manual 1980-00 ,1999 *Gates Timing Belt Replacement Manual* Gates Rubber Company,1994

This is likewise one of the factors by obtaining the soft documents of this **Volvo V50 Turbo Diesel Timing Belt Manual** by online. You might not require more grow old to spend to go to the ebook inauguration as well as search for them. In some cases, you likewise complete not discover the revelation Volvo V50 Turbo Diesel Timing Belt Manual that you are looking for. It will completely squander the time.

However below, afterward you visit this web page, it will be therefore unconditionally simple to get as with ease as download lead Volvo V50 Turbo Diesel Timing Belt Manual

It will not say you will many grow old as we tell before. You can pull off it though operate something else at house and even in your workplace. hence easy! So, are you question? Just exercise just what we manage to pay for under as without difficulty as review **Volvo V50 Turbo Diesel Timing Belt Manual** what you considering to read!

<https://about.livewellcolorado.org/book/Resources/default.aspx/Supreme%20Ruler%20Cold%20War%20Guide.pdf>

Table of Contents Volvo V50 Turbo Diesel Timing Belt Manual

1. Understanding the eBook Volvo V50 Turbo Diesel Timing Belt Manual
 - The Rise of Digital Reading Volvo V50 Turbo Diesel Timing Belt Manual
 - Advantages of eBooks Over Traditional Books
2. Identifying Volvo V50 Turbo Diesel Timing Belt Manual
 - Exploring Different Genres
 - Considering Fiction vs. Non-Fiction
 - Determining Your Reading Goals
3. Choosing the Right eBook Platform
 - Popular eBook Platforms
 - Features to Look for in an Volvo V50 Turbo Diesel Timing Belt Manual
 - User-Friendly Interface
4. Exploring eBook Recommendations from Volvo V50 Turbo Diesel Timing Belt Manual

- Personalized Recommendations
 - Volvo V50 Turbo Diesel Timing Belt Manual User Reviews and Ratings
 - Volvo V50 Turbo Diesel Timing Belt Manual and Bestseller Lists
5. Accessing Volvo V50 Turbo Diesel Timing Belt Manual Free and Paid eBooks
 - Volvo V50 Turbo Diesel Timing Belt Manual Public Domain eBooks
 - Volvo V50 Turbo Diesel Timing Belt Manual eBook Subscription Services
 - Volvo V50 Turbo Diesel Timing Belt Manual Budget-Friendly Options
 6. Navigating Volvo V50 Turbo Diesel Timing Belt Manual eBook Formats
 - ePub, PDF, MOBI, and More
 - Volvo V50 Turbo Diesel Timing Belt Manual Compatibility with Devices
 - Volvo V50 Turbo Diesel Timing Belt Manual Enhanced eBook Features
 7. Enhancing Your Reading Experience
 - Adjustable Fonts and Text Sizes of Volvo V50 Turbo Diesel Timing Belt Manual
 - Highlighting and Note-Taking Volvo V50 Turbo Diesel Timing Belt Manual
 - Interactive Elements Volvo V50 Turbo Diesel Timing Belt Manual
 8. Staying Engaged with Volvo V50 Turbo Diesel Timing Belt Manual
 - Joining Online Reading Communities
 - Participating in Virtual Book Clubs
 - Following Authors and Publishers Volvo V50 Turbo Diesel Timing Belt Manual
 9. Balancing eBooks and Physical Books Volvo V50 Turbo Diesel Timing Belt Manual
 - Benefits of a Digital Library
 - Creating a Diverse Reading Collection Volvo V50 Turbo Diesel Timing Belt Manual
 10. Overcoming Reading Challenges
 - Dealing with Digital Eye Strain
 - Minimizing Distractions
 - Managing Screen Time
 11. Cultivating a Reading Routine Volvo V50 Turbo Diesel Timing Belt Manual
 - Setting Reading Goals Volvo V50 Turbo Diesel Timing Belt Manual
 - Carving Out Dedicated Reading Time
 12. Sourcing Reliable Information of Volvo V50 Turbo Diesel Timing Belt Manual

- Fact-Checking eBook Content of Volvo V50 Turbo Diesel Timing Belt Manual
 - Distinguishing Credible Sources
13. Promoting Lifelong Learning
- Utilizing eBooks for Skill Development
 - Exploring Educational eBooks
14. Embracing eBook Trends
- Integration of Multimedia Elements
 - Interactive and Gamified eBooks

Volvo V50 Turbo Diesel Timing Belt Manual Introduction

Free PDF Books and Manuals for Download: Unlocking Knowledge at Your Fingertips In today's fast-paced digital age, obtaining valuable knowledge has become easier than ever. Thanks to the internet, a vast array of books and manuals are now available for free download in PDF format. Whether you are a student, professional, or simply an avid reader, this treasure trove of downloadable resources offers a wealth of information, conveniently accessible anytime, anywhere. The advent of online libraries and platforms dedicated to sharing knowledge has revolutionized the way we consume information. No longer confined to physical libraries or bookstores, readers can now access an extensive collection of digital books and manuals with just a few clicks. These resources, available in PDF, Microsoft Word, and PowerPoint formats, cater to a wide range of interests, including literature, technology, science, history, and much more. One notable platform where you can explore and download free Volvo V50 Turbo Diesel Timing Belt Manual PDF books and manuals is the internet's largest free library. Hosted online, this catalog compiles a vast assortment of documents, making it a veritable goldmine of knowledge. With its easy-to-use website interface and customizable PDF generator, this platform offers a user-friendly experience, allowing individuals to effortlessly navigate and access the information they seek. The availability of free PDF books and manuals on this platform demonstrates its commitment to democratizing education and empowering individuals with the tools needed to succeed in their chosen fields. It allows anyone, regardless of their background or financial limitations, to expand their horizons and gain insights from experts in various disciplines. One of the most significant advantages of downloading PDF books and manuals lies in their portability. Unlike physical copies, digital books can be stored and carried on a single device, such as a tablet or smartphone, saving valuable space and weight. This convenience makes it possible for readers to have their entire library at their fingertips, whether they are commuting, traveling, or simply enjoying a lazy afternoon at home. Additionally, digital files are easily searchable, enabling readers to locate specific information within seconds. With a few keystrokes, users can search for keywords, topics, or phrases, making research and finding relevant

information a breeze. This efficiency saves time and effort, streamlining the learning process and allowing individuals to focus on extracting the information they need. Furthermore, the availability of free PDF books and manuals fosters a culture of continuous learning. By removing financial barriers, more people can access educational resources and pursue lifelong learning, contributing to personal growth and professional development. This democratization of knowledge promotes intellectual curiosity and empowers individuals to become lifelong learners, promoting progress and innovation in various fields. It is worth noting that while accessing free Volvo V50 Turbo Diesel Timing Belt Manual PDF books and manuals is convenient and cost-effective, it is vital to respect copyright laws and intellectual property rights. Platforms offering free downloads often operate within legal boundaries, ensuring that the materials they provide are either in the public domain or authorized for distribution. By adhering to copyright laws, users can enjoy the benefits of free access to knowledge while supporting the authors and publishers who make these resources available. In conclusion, the availability of Volvo V50 Turbo Diesel Timing Belt Manual free PDF books and manuals for download has revolutionized the way we access and consume knowledge. With just a few clicks, individuals can explore a vast collection of resources across different disciplines, all free of charge. This accessibility empowers individuals to become lifelong learners, contributing to personal growth, professional development, and the advancement of society as a whole. So why not unlock a world of knowledge today? Start exploring the vast sea of free PDF books and manuals waiting to be discovered right at your fingertips.

FAQs About Volvo V50 Turbo Diesel Timing Belt Manual Books

How do I know which eBook platform is the best for me? Finding the best eBook platform depends on your reading preferences and device compatibility. Research different platforms, read user reviews, and explore their features before making a choice. Are free eBooks of good quality? Yes, many reputable platforms offer high-quality free eBooks, including classics and public domain works. However, make sure to verify the source to ensure the eBook credibility. Can I read eBooks without an eReader? Absolutely! Most eBook platforms offer web-based readers or mobile apps that allow you to read eBooks on your computer, tablet, or smartphone. How do I avoid digital eye strain while reading eBooks? To prevent digital eye strain, take regular breaks, adjust the font size and background color, and ensure proper lighting while reading eBooks. What the advantage of interactive eBooks? Interactive eBooks incorporate multimedia elements, quizzes, and activities, enhancing the reader engagement and providing a more immersive learning experience. Volvo V50 Turbo Diesel Timing Belt Manual is one of the best book in our library for free trial. We provide copy of Volvo V50 Turbo Diesel Timing Belt Manual in digital format, so the resources that you find are reliable. There are also many Ebooks of related with Volvo V50 Turbo Diesel Timing Belt Manual. Where to download Volvo V50 Turbo Diesel Timing Belt Manual online for free? Are you looking for

Volvo V50 Turbo Diesel Timing Belt Manual PDF? This is definitely going to save you time and cash in something you should think about.

Find Volvo V50 Turbo Diesel Timing Belt Manual :

~~supreme ruler cold war guide~~

supermicro piiisce owners manual

super tigre engine manual

super ikonta a manual

superman vol 4 psi war the new 52

survey of accounting 3rd edition answers key

surface area to volume ratio practice problems

support hls6187w service manual

surface area 3 dimensional kuta

supermicro c2sba manual

supplier quality requirements manual stahl specialty company

super skinny 2015 grapefruit and egg diet plus

superfuture london superguide bing

survey edition modern era answers

supervising probation officer

Volvo V50 Turbo Diesel Timing Belt Manual :

realidades 2 practice workbook 2 1st edition solutions and answers - Aug 15 2023

web now with expert verified solutions from realidades 2 practice workbook 2 1st edition you ll learn how to solve your toughest homework problems our resource for realidades 2 practice workbook 2 includes answers to chapter exercises as well as detailed information to walk you through the process step by step

practice workbook 2 9780130360021 solutions and answers quizlet - Feb 09 2023

web find step by step solutions and answers to practice workbook 2 9780130360021 as well as thousands of textbooks so you can move forward with confidence

realidades practice workbook 3 1st edition solutions and answers - Feb 26 2022

web our resource for realidades practice workbook 3 includes answers to chapter exercises as well as detailed information to walk you through the process step by step with expert solutions for thousands of practice problems you can take the guesswork out of studying and move forward with confidence

realidades 2 workbook answers pg 83 book - Jan 28 2022

web feb 24 2023 statement realidades 2 workbook answers pg 83 can be one of the options to accompany you behind having supplementary time it will not waste your time tolerate me the e book will very declare you additional event to read

realidades 2 workbook answers pdf athens mutual student - Oct 05 2022

web nov 16 2022 realidades 2 workbook answers pdf free download realidades 1 workbook answers pdf exclusively for high school students studying spanish in their curriculum realidades 2 workbook answers pdf saber or conocer spanish practice workbook 2 pg realidades 2 chapter 2b core wkbk solutions from scribd com

realidades 2 chapter 2b core wkbk solutions pdf scribd - Mar 10 2023

web wording of answers will vary 1 qu busca tatiana tatiana busca ropa para el invierno pearson education inc all rights reserved 2 en realidad quiere una ganga tatiana te parece que el precio le importa ms a mariana por qu en realidad tatiana no quiere una ganga mariana habla ms de

what are the answer to realidades 2 pg 83 answers - Dec 27 2021

web mar 10 2015 answers is the place to go to get the answers you need and to ask the questions you want what are the answer to realidades 2 pg 83 wiki user 2015 03 10 14 43 14 add an answer

realidades 2 practice workbook answer key pdf answers for - Aug 03 2022

web capitulo 7a answers fill online printable fillable blank pdf filler real07a qed 121 129 1 25 03 2 02 pm page 121 realidades hombre capitulo 7a fecha hora practice workbook 7a 1 en el separate store window pearson

realidades 2 guided practice answers pg 83 books read - Jul 02 2022

web get free realidades 2 guided practice answers pg 83 realidades 2 guided practice answers pg 83 this workbook will introduce your child to grade six vocabulary and reading comprehension exercises in a step by step manner cover combines the current practice workbook and the guided practice workbook into one workbook

realidades 2 guided practice answers pg 83 - Mar 30 2022

web answers pg 84 cyteen de realidades 2 guided practice answers pg 83 realidades 2 guided practice answers pg 83 waraeg de realidades 2 guided practice answers pg 83 pdf read online realidades 2 guided practice answers pg 82 may 5th 2018

realidades 2 guided practice answers pg 82 realidades 2 guided practice answers

realidades 2 practice workbook 2 9780130360021 exercise 2 quizlet - May 12 2023

web find step by step solutions and answers to exercise 2 from realidades 2 practice workbook 2 9780130360021 as well as

thousands of textbooks so you can move forward with confidence

[realidades 2 workbook pdf google drive](#) - Apr 11 2023

web sign in realidades 2 workbook pdf google drive sign in

[realidades 2 workbook answers pg 83 2022 autoconfig sureoak](#) - Jun 01 2022

web realidades 2 workbook answers pg 83 1 realidades 2 workbook answers pg 83 this is likewise one of the factors by obtaining the soft documents of this realidades 2 workbook answers pg 83 by online you might not require more mature to spend to go to the ebook creation as without difficulty as search for them in some cases you

realidades 2 1st edition solutions and answers quizlet - Jul 14 2023

web our resource for realidades 2 includes answers to chapter exercises as well as detailed information to walk you through the process step by step with expert solutions for thousands of practice problems you can take the guesswork out of studying and move forward with confidence

[realidades 2 workbook answers pg 83](#) - Apr 30 2022

web realidades 2 workbook answers pg 83 recognizing the pretentiousness ways to acquire this ebook realidades 2 workbook answers pg 83 is additionally useful you have remained in right site to start getting this info get the realidades 2 workbook answers pg 83 associate that we meet the expense of here and check out the link

[prentice hall realidades level 2 guided practice activities for](#) - Jun 13 2023

web find step by step solutions and answers to prentice hall realidades level 2 guided practice activities for vocabulary and grammar 9780131660236 as well as thousands of textbooks so you can move forward with confidence

realidades 2 textbook answers pdf free download - Jan 08 2023

web 2 realidades 2 textbook answers books title book number file information 2a answers realidades 2 practice workbook ebooks pdf supman core workbook realidades 3 answers pg 126 free ebook supman chemistry textbook questions and answers supman austin peay state university department of communication and theatre

realidades 2 d practice answers pg 83 pdf giga - Sep 04 2022

web recognizing the pretension ways to acquire this books realidades 2 d practice answers pg 83 is additionally useful you have remained in right site to begin getting this info get the realidades 2 d practice answers pg 83 associate that we have the funds for here and check out the link

realidades 2 core practice workbook answers answers for - Dec 07 2022

web download realidades 2 core practice workbook answers filename speed downloads realidades 2 core practice workbook answers most popular 3941 kb s 3538 realidades 2 core practice workbook answers updated 5401 kb s 8168 realidades 2 core practice workbook answers added by users 5525 kb s 5390 realidades 2 core

realidades 2 workbook answers pg 83 pdf ol wise edu - Nov 06 2022

web realities 2 workbook answers pg 83 1 realities 2 workbook answers pg 83 eventually you will certainly discover a further experience and capability by spending more cash still when reach you say yes that you require to acquire those every needs next having significantly cash why dont you try to acquire something basic in the beginning

fundamentals of the physics of solids volume 1 st michel - Dec 17 2021

web separating the material into three similar sized volumes is a necessity in view of the size of the material but it also reflects the internal logical structure of the subject matter at

fundamentals of the physics of solids volume 1 structure and - Sep 25 2022

web jan 1 2009 the first volume deals with the atomic and magnetic structure and dynamics of solids the second with those electronic properties that can be understood in the one

fundamentals of the physics of solids volume 1 structure and - Aug 05 2023

web semantic scholar extracted view of fundamentals of the physics of solids volume 1 by j sólyom

fundamentals of the physics of solids volume 1 request pdf - Aug 25 2022

web fundamentals of the physics of solids volume 1 structure and dynamics paperback s lyom jen and pir th a amazon com tr kitap

fundamentals of the physics of solids volume 3 normal - Oct 27 2022

web in conclusion this first volume is an excellent textbook that we recommend for a solid state physics course many students and solid state research fellows will find it easy to

fundamentals of the physics of solids volume 1 structure and - Apr 01 2023

web dec 6 2007 fundamentals of the physics of solids volume 1 by jenö sólyom december 6 2007 springer edition hardcover in english fundamentals of the

fundamentals of the physics of solids volume ii electronic - Mar 20 2022

web appendix fundamentals of the physics of solids aug 11 2022 the reader is holding the second volume of a three volume textbook on solid state physics this book is the

fundamentals of the physics of solids volume 1 - Sep 06 2023

web english en pdf 5 4mb solyom j fundamentals of the physics of solids vol 1 springer 2007 isbn 3540725997 o 714s ps pdf after a brief history of solid

fundamentals of the physics of solids pdf 66nfdi6ll270 e - Oct 07 2023

web mar 4 2023 however the highly important transport phenomena in solids cannot be adequately treated in terms of such stationary waves therefore instead of a system

fundamentals of the physics of solids volume 1 structure and - Nov 27 2022

web this book is the third of a three volume series written by the same author it aims to deliver a comprehensive and self contained account of the fundamentals of the physics of

fundamentals of the physics of solids request pdf - Apr 20 2022

web the reader is holding the second volume of a three volume textbook on sol state physics this book is the outgrowth of the courses i have taught for many years at eötvös

periodic table of elements physics - Nov 15 2021

fundamentals of the physics of solids volume 1 open library - Feb 28 2023

web fundamentals of the physics of solids volume 1 structure and dynamics jenő sólyom 159 99 159 99 publisher description this book is the first of a three volume series

fundamentals of the physics of solids volume 1 structure and - Jul 24 2022

web sep 19 2007 fundamentals of the physics of solids jenő sólyom springer science business media sep 19 2007 science 697 pages 1 review reviews aren t verified

fundamentals of the physics of solids volume 1 - Jul 04 2023

web jan 1 2007 request pdf fundamentals of the physics of solids volume i structure and dynamics this book is the first of a three volume series written by the same author

fundamentals of the physics of solids volume 1 structure and - Dec 29 2022

web the reader is holding the rst volume of a three volume textbook on sol state physics this book is the outgrowth of the courses i have taught for many years at eötvös

fundamentals of the physics of solids google books - May 22 2022

web jan 1 2009 the first volume deals with the atomic and magnetic structure and dynamics of solids the second with those electronic properties that can be understood in the one

fundamentals of the physics of solids google books - Jun 22 2022

web nov 6 2008 fundamentals of the physics of solids jenő sólyom springer science business media nov 6 2008 science 646 pages the reader is holding the second

fundamentals of the physics of solids apple books - Jan 30 2023

web this volume covers four major topics after a brief history of solid state physics the introductory part presents the classification of condensed phases describes the basic

fundamentals of the physics of solids volume 1 st 2023 - Feb 16 2022

web renowned for its interactive focus on conceptual understanding its superlative problem solving instruction and emphasis on reasoning skills the fundamentals of physics

fundamentals of the physics of solids volume 1 - May 02 2023

web sep 19 2007 in conclusion this first volume is an excellent textbook that we recommend for a solid state physics course many students and solid state research fellows will

fundamentals of the physics of solids volume i researchgate - Jun 03 2023

web oct 10 2007 this volume covers four major topics after a brief history of solid state physics the introductory part presents the classification of condensed phases

fundamentals of physics volume 1 12th edition wiley - Jan 18 2022

web taking into account this one merely said the fundamentals of the physics of solids volume 1 st is universally compatible later than any devices to read fundamentals of

magnets and magnetic fields 727 plays quizizz - Mar 13 2023

web learn about and revise magnets magnetic poles magnetic fields permanent and induced magnets with gcse bitesize physics

9 01 quiz magnets and magnetic fields flashcards quizlet - Sep 19 2023

web sep 19 2023 study with quizlet and memorize flashcards containing terms like which three elements are ferromagnetic which of these is true about a bar magnet

5 magnetic field quizzes questions answers trivia proprofs - May 03 2022

web the direction of magnetic lines of force inside the magnet is from north pole to south pole the magnetic lines of force outside the magnet do not intersect with each other the

magnetic fields and the magnetic compass 71 plays quizizz - Jan 31 2022

what are magnetic fields article khan academy - Nov 28 2021

magnetic fields 87 plays quizizz - Dec 30 2021

magnetic fields aqa test questions bbc - Jan 11 2023

web it is entering the magnet d it is leaving the magnet 9 for each of the figures below indicate whether the magnets will attract or repel one another 10 draw magnetic field

a quiz on magnet fields with the answer quizzes for physics - Jun 04 2022

web magnets attract or pull objects made of materials that are very attracted to magnets these materials include iron and nickel a magnet also reacts to another magnet when
[section quiz magnets and magnetic fields pc mac](#) - Oct 28 2021

magnetic field quiz questions with solutions vedantu - Apr 02 2022

web magnetic fields occur whenever charge is in motion as more charge is put in more motion the strength of a magnetic field increases magnetism and magnetic fields are one

section quiz magnets and magnetic fields schoolinsites - Jun 16 2023

web b when both a closed circuit and magnetic field are moving but not with respect to each other c when neither the closed circuit nor magnetic field are moving d when a closed

magnets and magnetism quiz thoughtco - Dec 10 2022

web mar 22 2023 try this amazing magnets and magnetic fields quiz which has been attempted 2587 times by avid quiz takers also explore over 5 similar quizzes in this

section 21 1 magnets and magnetic fields flashcards quizlet - Aug 18 2023

web study with quizlet and memorize flashcards containing terms like magnetic force magnetic pole magnetic field and more fresh features from the 1 ai enhanced learning

chapter 21 section 1 magnets and magnetic fields flashcards - Apr 14 2023

web 1 41 flashcards q chat created by torre282 terms in this set 41 in the year 1600 william gilbert published a book explaining the properties of magnets is

magnetic field 721 plays quizizz - Jul 05 2022

web 1 minute 1 pt a magnet cannot not move which of the following objects a paper clip a nail a toothpick a staple multiple choice 1 minute 1 pt where is the force of attraction the

ch 20 multiple choice physics openstax - May 15 2023

web study with quizlet and memorize flashcards containing terms like magnetic force magnetic pole magnetic field and more

section quiz magnets and magnetic fields studyres - Sep 07 2022

web mar 22 2023 magnetic field quizzes questions answers magnetic field quizzes are your ticket to explore the enthralling realm of magnetism and its practical applications

[21 1 magnetism and magnetic fields physics](#) - Nov 09 2022

web 3 minutes 1 pt a straight wire carrying a 9 0 a current is in a uniform magnetic field oriented at right angles to the wire when 75 cm of wire is in the field the force on the

[magnet and magnetic field 107 plays quizizz](#) - Mar 01 2022

web a when an open circuit moves through a magnetic field b when both a closed circuit and magnetic field are moving but not with respect to each other c when neither the closed

magnets and magnetic fields proprofs quiz - Aug 06 2022

web 5 questions 05 00 minutes start quiz attempt these quizzes on magnetic field which has questions with hints and answers understand concepts better by attempting these

21 1 magnets and magnetic fields flashcards quizlet - Feb 12 2023

web physics library 19 units 12 skills unit 1 one dimensional motion unit 2 two dimensional motion unit 3 forces and newton s laws of motion unit 4 centripetal force and

magnetic forces magnetic fields and faraday s law khan - Oct 08 2022

web nov 11 2020 quiz 1 with answer key electricity and magnetism i phy 481 magnetic fields for quiz physics ii phy 2054 electric and magnetic fields homework

science chapter 20 lesson 1 magnets and magnetic field - Jul 17 2023

web study with quizlet and memorize flashcards containing terms like magnet magnetic pole magnetic force and more