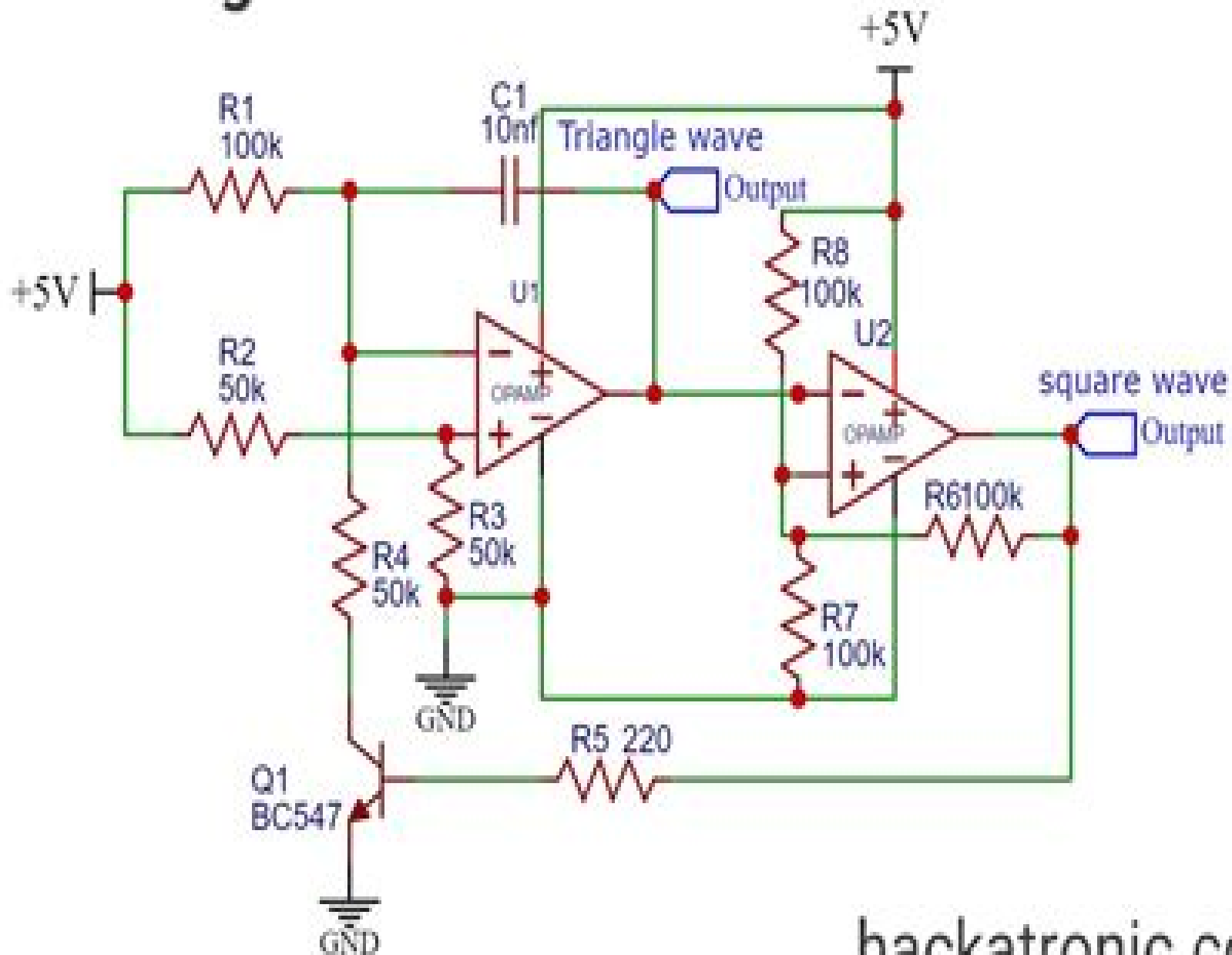


Voltage Controlled Oscillator Circuit



Voltage Controlled Oscillator

Huangqi Zhang



Voltage Controlled Oscillator:

Eventually, you will completely discover a new experience and triumph by spending more cash. nevertheless when? complete you take on that you require to get those every needs afterward having significantly cash? Why dont you try to get something basic in the beginning? Thats something that will lead you to understand even more nearly the globe, experience, some places, in the manner of history, amusement, and a lot more?

It is your certainly own era to accomplish reviewing habit. accompanied by guides you could enjoy now is **Voltage Controlled Oscillator** below.

https://about.livewellcolorado.org/public/detail/Download_PDFS/the%20federal%20in%20federalism%20worksheet.pdf

Table of Contents Voltage Controlled Oscillator

1. Understanding the eBook Voltage Controlled Oscillator
 - The Rise of Digital Reading Voltage Controlled Oscillator
 - Advantages of eBooks Over Traditional Books
2. Identifying Voltage Controlled Oscillator
 - Exploring Different Genres
 - Considering Fiction vs. Non-Fiction
 - Determining Your Reading Goals
3. Choosing the Right eBook Platform
 - Popular eBook Platforms
 - Features to Look for in an Voltage Controlled Oscillator
 - User-Friendly Interface
4. Exploring eBook Recommendations from Voltage Controlled Oscillator
 - Personalized Recommendations
 - Voltage Controlled Oscillator User Reviews and Ratings
 - Voltage Controlled Oscillator and Bestseller Lists
5. Accessing Voltage Controlled Oscillator Free and Paid eBooks

- Voltage Controlled Oscillator Public Domain eBooks
 - Voltage Controlled Oscillator eBook Subscription Services
 - Voltage Controlled Oscillator Budget-Friendly Options
6. Navigating Voltage Controlled Oscillator eBook Formats
 - ePub, PDF, MOBI, and More
 - Voltage Controlled Oscillator Compatibility with Devices
 - Voltage Controlled Oscillator Enhanced eBook Features
 7. Enhancing Your Reading Experience
 - Adjustable Fonts and Text Sizes of Voltage Controlled Oscillator
 - Highlighting and Note-Taking Voltage Controlled Oscillator
 - Interactive Elements Voltage Controlled Oscillator
 8. Staying Engaged with Voltage Controlled Oscillator
 - Joining Online Reading Communities
 - Participating in Virtual Book Clubs
 - Following Authors and Publishers Voltage Controlled Oscillator
 9. Balancing eBooks and Physical Books Voltage Controlled Oscillator
 - Benefits of a Digital Library
 - Creating a Diverse Reading Collection Voltage Controlled Oscillator
 10. Overcoming Reading Challenges
 - Dealing with Digital Eye Strain
 - Minimizing Distractions
 - Managing Screen Time
 11. Cultivating a Reading Routine Voltage Controlled Oscillator
 - Setting Reading Goals Voltage Controlled Oscillator
 - Carving Out Dedicated Reading Time
 12. Sourcing Reliable Information of Voltage Controlled Oscillator
 - Fact-Checking eBook Content of Voltage Controlled Oscillator
 - Distinguishing Credible Sources
 13. Promoting Lifelong Learning
 - Utilizing eBooks for Skill Development

- Exploring Educational eBooks
14. Embracing eBook Trends
- Integration of Multimedia Elements
 - Interactive and Gamified eBooks

Voltage Controlled Oscillator Introduction

In today's digital age, the availability of Voltage Controlled Oscillator books and manuals for download has revolutionized the way we access information. Gone are the days of physically flipping through pages and carrying heavy textbooks or manuals. With just a few clicks, we can now access a wealth of knowledge from the comfort of our own homes or on the go. This article will explore the advantages of Voltage Controlled Oscillator books and manuals for download, along with some popular platforms that offer these resources. One of the significant advantages of Voltage Controlled Oscillator books and manuals for download is the cost-saving aspect. Traditional books and manuals can be costly, especially if you need to purchase several of them for educational or professional purposes. By accessing Voltage Controlled Oscillator versions, you eliminate the need to spend money on physical copies. This not only saves you money but also reduces the environmental impact associated with book production and transportation. Furthermore, Voltage Controlled Oscillator books and manuals for download are incredibly convenient. With just a computer or smartphone and an internet connection, you can access a vast library of resources on any subject imaginable. Whether you're a student looking for textbooks, a professional seeking industry-specific manuals, or someone interested in self-improvement, these digital resources provide an efficient and accessible means of acquiring knowledge. Moreover, PDF books and manuals offer a range of benefits compared to other digital formats. PDF files are designed to retain their formatting regardless of the device used to open them. This ensures that the content appears exactly as intended by the author, with no loss of formatting or missing graphics. Additionally, PDF files can be easily annotated, bookmarked, and searched for specific terms, making them highly practical for studying or referencing. When it comes to accessing Voltage Controlled Oscillator books and manuals, several platforms offer an extensive collection of resources. One such platform is Project Gutenberg, a nonprofit organization that provides over 60,000 free eBooks. These books are primarily in the public domain, meaning they can be freely distributed and downloaded. Project Gutenberg offers a wide range of classic literature, making it an excellent resource for literature enthusiasts. Another popular platform for Voltage Controlled Oscillator books and manuals is Open Library. Open Library is an initiative of the Internet Archive, a non-profit organization dedicated to digitizing cultural artifacts and making them accessible to the public. Open Library hosts millions of books, including both public domain works and contemporary titles. It also allows users to borrow digital copies of certain books for a limited period, similar to a library lending system. Additionally, many universities

and educational institutions have their own digital libraries that provide free access to PDF books and manuals. These libraries often offer academic texts, research papers, and technical manuals, making them invaluable resources for students and researchers. Some notable examples include MIT OpenCourseWare, which offers free access to course materials from the Massachusetts Institute of Technology, and the Digital Public Library of America, which provides a vast collection of digitized books and historical documents. In conclusion, Voltage Controlled Oscillator books and manuals for download have transformed the way we access information. They provide a cost-effective and convenient means of acquiring knowledge, offering the ability to access a vast library of resources at our fingertips. With platforms like Project Gutenberg, Open Library, and various digital libraries offered by educational institutions, we have access to an ever-expanding collection of books and manuals. Whether for educational, professional, or personal purposes, these digital resources serve as valuable tools for continuous learning and self-improvement. So why not take advantage of the vast world of Voltage Controlled Oscillator books and manuals for download and embark on your journey of knowledge?

FAQs About Voltage Controlled Oscillator Books

What is a Voltage Controlled Oscillator PDF? A PDF (Portable Document Format) is a file format developed by Adobe that preserves the layout and formatting of a document, regardless of the software, hardware, or operating system used to view or print it. **How do I create a Voltage Controlled Oscillator PDF?** There are several ways to create a PDF: Use software like Adobe Acrobat, Microsoft Word, or Google Docs, which often have built-in PDF creation tools. **Print to PDF:** Many applications and operating systems have a "Print to PDF" option that allows you to save a document as a PDF file instead of printing it on paper. **Online converters:** There are various online tools that can convert different file types to PDF. **How do I edit a Voltage Controlled Oscillator PDF?** Editing a PDF can be done with software like Adobe Acrobat, which allows direct editing of text, images, and other elements within the PDF. Some free tools, like PDFescape or Smallpdf, also offer basic editing capabilities. **How do I convert a Voltage Controlled Oscillator PDF to another file format?** There are multiple ways to convert a PDF to another format: Use online converters like Smallpdf, Zamzar, or Adobe Acrobat's export feature to convert PDFs to formats like Word, Excel, JPEG, etc. Software like Adobe Acrobat, Microsoft Word, or other PDF editors may have options to export or save PDFs in different formats. **How do I password-protect a Voltage Controlled Oscillator PDF?** Most PDF editing software allows you to add password protection. In Adobe Acrobat, for instance, you can go to "File" -> "Properties" -> "Security" to set a password to restrict access or editing capabilities. **Are there any free alternatives to Adobe Acrobat for working with PDFs?** Yes, there are many free alternatives for working with PDFs, such as: **LibreOffice:** Offers PDF editing features. **PDFsam:** Allows splitting, merging, and editing PDFs. **Foxit Reader:** Provides basic

PDF viewing and editing capabilities. How do I compress a PDF file? You can use online tools like Smallpdf, I LovePDF, or desktop software like Adobe Acrobat to compress PDF files without significant quality loss. Compression reduces the file size, making it easier to share and download. Can I fill out forms in a PDF file? Yes, most PDF viewers/editors like Adobe Acrobat, Preview (on Mac), or various online tools allow you to fill out forms in PDF files by selecting text fields and entering information. Are there any restrictions when working with PDFs? Some PDFs might have restrictions set by their creator, such as password protection, editing restrictions, or print restrictions. Breaking these restrictions might require specific software or tools, which may or may not be legal depending on the circumstances and local laws.

Find Voltage Controlled Oscillator :

~~the federal in federalism worksheet~~

the dirty streets of heaven

the downlow superstar the downlow superstar trilogy book english edition

the fae tribute bundle parts i iii paranormal bdsm erotica

the footsteps of barack obama in a changing america

the fat trainer diet exercise plan

~~the duchess of windsor a memoir~~

the divorce and doom of simon pastor

the dream vessel

the dynamics of corporate worship ministry

the friends series english edition

the ever after of ella and micha

the forgotten promise rejoining our cosmic family

the ernst young tax guide 2005

the final gospels constellations book english edition

Voltage Controlled Oscillator :

descargar pdf cosmología egipcia el universo animado gratis - Sep 03 2022

web esta edición examina la aplicabilidad de los conceptos cosmológicos egipcios para nuestra comprensión moderna de la naturaleza del universo creación ciencia y filosofía la

cosmologiaegipciaeluniversoanimado copy sshauth strayos - Dec 26 2021

web cubre la aplicabilidad de los conceptos cosmológicos egipcias para nuestra comprensión moderna de la naturaleza del universo la creación la ciencia y la filosofía esta edición

a cosmologia egípcia o universo animado terceira edição pdf - Mar 29 2022

web moustafa gadalla cosmologia egípcia o universo animado cosmologia egípcia o universo animado é um convite ao leitor a ouvir e aprender com o tesouro de

cosmología egipcia el universo animado tercera edición - Nov 24 2021

cosmología egipcia moustafa gadalla el universo animado - May 31 2022

web may 30 2017 a cosmologia egípcia é humanista coerente abrangente consistente e lógica analítica e racional descubra o conceito egípcio da matriz energética universal e

cosmología egipcia el universo animado tercera - Oct 04 2022

web may 30 2017 cubre la aplicabilidad de los conceptos cosmológicos egipcias para nuestra comprensión moderna de la naturaleza del universo la creación

cosmología egipcia el universo animado tercera edición - Oct 24 2021

cosmología egipcia el universo animado tapa blanda - Jul 13 2023

web regístrate ahora cubre la aplicabilidad de los conceptos cosmológicos egipcias para nuestra comprensión moderna de la naturaleza del universo la creación la ciencia y la

cosmología egipcia el universo animado tercera edición - Jul 01 2022

web nov 12 2018 esta edición examina la aplicabilidad de los conceptos cosmológicos egipcios para nuestra comprensión moderna de la naturaleza del universo creación

amazon com cosmología egipcia el universo animado - Dec 06 2022

web jun 28 2017 cosmología egipcia el universo animado spanish edition gadalla moustafa on amazon com free shipping on qualifying offers cosmología egipcia

cosmología egipcia el universo animado tercera - May 11 2023

web cosmología egipcia book read 4 reviews from the world s largest community for readers cubre la aplicabilidad de los conceptos cosmológicos egipcias par

cosmología egipcia el universo animado kağıt kapak - Mar 09 2023

web descubre el concepto egipcio de la matriz energética universal y las explicación del proceso de creación oiga acerca de

la numerología dualidades trinidades etc cómo

cosmología egipcia el universo animado egyptian cosmology - Feb 08 2023

web lea acerca de la numerología dualidades trinidades etc cómo el ser humano se relaciona con el universo la conciencia astronómica egipcia el viaje terrenal la subida

cosmología egipcia el universo animado tercera - Jun 12 2023

web may 30 2017 esta edición examina la aplicabilidad de los conceptos cosmológicos egipcios para nuestra comprensión moderna de la naturaleza del universo creación

livro cosmologia egípcia o universo animado estante virtual - Jan 27 2022

web resumen esta edición examina la aplicabilidad de los conceptos cosmológicos egipcios para nuestra comprensión moderna de la naturaleza del universo creación ciencia y

cosmología egipcia el universo animado spanish edition - Nov 05 2022

web título cosmología egipcia el universo animado clasificación 4 4 de 5 estrellas 6 valoraciones isbn 10 1521585075 isbn 13 9781521585078 idiomae español

cosmología egipcia el universo animado tercera edición - Aug 14 2023

web may 26 2017 cosmología egipcia el universo animado tercera edición moustafa gadalla google books cubre la aplicabilidad de los conceptos cosmológicos egipcias

cosmología egipcia by moustafa gadalla overdrive - Apr 29 2022

web a cosmologia egípcia é humanista coerente abrangente consistente e lógica analítica e racional descubra o conceito egípcio da matriz energética universal e as contagens do

cosmología egipcia el universo animado tercera edición - Aug 02 2022

web cosmología egipcia moustafa gadalla el universo animado cubre la aplicabilidad de los conceptos cosmológicos egipcias para nuestra comprensión moderna de la

cosmología egipcia el universo animado pasta blanda - Jan 07 2023

web amazon com cosmología egipcia el universo animado spanish edition 9781521585078 gadalla moustafa libros

a cosmologia egípcia o universo animado terceira edição - Feb 25 2022

web creación del mundo y cómo los antiguos egipcios comprendieron la estructura del inframundo y el paso a la vida después de la muerte mitos de los dioses contiene los

cosmología egipcia el universo animado by moustafa gadalla - Apr 10 2023

web cosmología egipcia el universo animado gadalla moustafa amazon com tr kitap

la desheredada en apple books - Sep 25 2022

web ebook con un sumario dinámico y detallado la desheredada que se desarrolla en lo que ha llegado a conocerse y estudiarse como el madrid de galdós o madrid galdosiano narra las desventuras de isidora la supuesta desheredada una bonita muchacha que llega a la capital española llena de ilus

la desheredada ebook de benito p rez gald s epub libro - Nov 27 2022

web lee la desheredada biblioteca de grandes escritores de benito p rez gald s disponible en rakuten kobo ebook con un sumario dinámico y detallado la desheredada que se desarrolla en lo que ha llegado a conocerse y estudiar

la desheredada biblioteca de grandes escritores edici n kindle - Jan 30 2023

web la desheredada biblioteca de grandes escritores ebook gald s benito p rez amazon com mx tienda kindle

la desheredada biblioteca de grandes escritores full pdf - May 22 2022

web apuntes para una biblioteca de escritores espa oles contempor neos en prosa y verso paradojas paradoja en loor de la nariz muy grande paradoja en loor de las bubas

amazon com mx opiniones de clientes la desheredada biblioteca de - Apr 20 2022

web vea rese as y calificaciones de rese as que otros clientes han escrito de la desheredada biblioteca de grandes escritores en amazon com lea rese as de productos sinceras e imparciales de nuestros usuarios

la desheredada escritores del mundo fandom fandom - Feb 16 2022

web la desheredada es una novela del escritor espa ol benito p rez gald s publicada en 1881 que abre el ciclo de las novelas espa olas contempor neas algunos estudiosos de su obra la han considerado una de sus narraciones m s cervantinas plantilla sfn mientras otros la relacionan con balzac como

la desheredada biblioteca de grandes escritores ebook - May 02 2023

web ebook con un sumario dinámico y detallado la desheredada que se desarrolla en lo que ha llegado a conocerse y estudiarse como el madrid de galdós o madrid galdosiano narra las desventuras de isidora la supuesta desheredada una bonita muchacha que llega a la capital española llena de ilusiones cae en la prostituci n y acaba en la

la desheredada biblioteca virtual miguel de cervantes - Apr 01 2023

web la desheredada biblioteca virtual miguel de cervantes la desheredada primera parte cap tulo i final de otra novela cap tulo ii la sanguijuelera

la desheredada biblioteca de grandes escritores - Oct 07 2023

web ebook con un sumario dinámico y detallado la desheredada que se desarrolla en lo que ha llegado a conocerse y estudiarse como el madrid de galdós o madrid galdosiano narra las desventuras de isidora la supuesta desheredada una bonita muchacha que llega a la capital española

la desheredada by benito p rez gald s overdrive - Jun 22 2022

web apr 7 2015 ebook con un sumario dinámico y detallado la desheredada que se desarrolla en lo que ha llegado a conocerse y estudiarse como el madrid de galdós o madrid galdosiano narra las desventuras de isidora la supuesta desheredada una bonita muchach

la desheredada biblioteca de grandes escritores 2022 lp - Oct 27 2022

web apuntes para una biblioteca de escritores españoles contemporáneos en prosa y verso obras colección de friedrich schiller benito p rez gald s obras completas nueva edici n integral

la desheredada biblioteca de grandes escritores liibook - Sep 06 2023

web la desheredada biblioteca de grandes escritores es un libro para descargar gratis en epub pdf y mobi del autor a benito p rez gald s descarga tu libro en diversos formatos descargar gratis desde amazon

la desheredada biblioteca de grandes escritores ebook - Feb 28 2023

web apr 7 2015 ebook con un sumario dinámico y detallado la desheredada que se desarrolla en lo que ha llegado a conocerse y estudiarse como el madrid de gald 

la desheredada by benito p rez gald s ebook scribd - Aug 05 2023

web ebook con un sumario dinámico y detallado la desheredada que se desarrolla en lo que ha llegado a conocerse y estudiarse como el madrid de gald s o madrid galdosiano narra las desventuras de isidora la supuesta desheredada una bonita muchacha que llega a la capital espa ola llena de ilusiones cae en la prostituci n y acaba en la

la desheredada biblioteca de grandes escritores spanish - Jul 24 2022

web la desheredada biblioteca de grandes escritores spanish edition ebook gald s benito p rez amazon com au kindle store

la desheredada biblioteca de grandes escritores cultura - Jun 03 2023

web description la desheredada biblioteca de grandes escritores ebook con un sumario dinámico y detallado la desheredada que se desarrolla en lo que ha llegado a conocerse y estudiarse como el madrid de gald s o madrid gal

la desheredada on apple books - Aug 25 2022

web apr 7 2015 ebook con un sumario dinámico y detallado la desheredada que se desarrolla en lo que ha llegado a conocerse y estudiarse como el madrid de gald s o madrid galdosiano narra las desventuras de isidora la supuesta desheredada una bonita muchacha que llega a la capital espa ola llena de ilus

la desheredada biblioteca de grandes escritores spanish - Jul 04 2023

web apr 7 2015 ebook con un sumario dinámico y detallado la desheredada que se desarrolla en lo que ha llegado a conocerse y estudiarse como el madrid de gald s o madrid galdosiano narra las desventuras de isidora la supuesta desheredada una bonita muchacha que llega a la capital espa ola llena de ilusiones cae en la

la desheredada biblioteca de grandes escritores ebook - Dec 29 2022

web la desheredada biblioteca de grandes escritores ebook galdós benito p rez amazon es libros
biblioteca de grandes escritores la desheredada ebook - Mar 20 2022

web biblioteca de grandes escritores la desheredada ebook con un sumario din mico y detallado la desheredada que se
desarrolla en lo que ha llegado a biblioteca de grandes escritores la desheredada ebook benito perez galdos bol com
das k nguru manifest die k nguru werke band 2 - Feb 16 2022

web jan 26 2020 *das k nguru manifest die k nguru werke band 2 sunday january 26 2020 edit edit*
das k nguru manifest die k nguru werke 2 german edition - May 22 2022

web *das k nguru manifest die k nguru werke 2 german edition ebook kling marc uwe amazon co uk kindle store*
das k nguru manifest die k nguru werke 2 booklooker - Jun 03 2023

web *das k nguru manifest die k nguru werke 2 sie sind b cher gebraucht antiquarisch neu kaufen preisvergleich*
k uferschutz wir b cher

das k nguru manifest sie sind wieder da band 2 der - May 02 2023

web *das k nguru manifest sie sind wieder da band 2 der erfolgreichen k nguru werke die k nguru werke band 2 kling marc*
uwe amazon com tr kitap

das k nguru manifest die k nguru werke 2 sie sind wieder da band 2 - Feb 28 2023

web *das k nguru manifest die k nguru werke 2 sie sind wieder da band 2 der erfolgreichen k nguru werke kling marc uwe*
amazon se b cker

das k nguru manifest die k nguru werke 2 german edition - Nov 27 2022

web aug 12 2011 *das k nguru manifest die k nguru werke 2 german edition kindle edition by kling marc uwe download it*
once and read it on your kindle device pc phones or tablets use features like bookmarks note taking and highlighting while
reading das k nguru manifest die k nguru werke 2 german edition

das k nguru manifest die k nguru werke 2 lesejury - Jan 30 2023

web aug 12 2011 *das k nguru das pinguin und der kleink nstler inhaltsangabe sie sind wieder da das kommunistische*
k nguru und der stoische kleink nstler auf der jagd nach dem h chstverd chtigen pinguin rasen sie durch die ganze welt
spektakul re enth llungen

das k nguru manifest die k nguru werke 2 booklooker - Apr 01 2023

web *das k nguru manifest die k nguru werke 2 sie sind wieder da band b cher gebraucht antiquarisch neu kaufen*
preisvergleich k uferschutz wir b cher

das k nguru manifest die k nguru werke 2 sie sind wieder da band 2 - Aug 05 2023

web aug 12 2011 *sie sind wieder da das kommunistische k nguru und der stoische kleink nstler auf der jagd nach dem*

höchstverdächtigen pinguin rasen sie durch die das känguru manifest die känguru werke 2 sie sind wieder da band 2 der erfolgreichen känguru werke von marc uwe kling bei lovelybooks humor

das känguru manifest von marc uwe kling buch 978 3 - Dec 29 2022

web känguru band 2 das känguru manifest sie sind wieder da band 2 der erfolgreichen känguru werke marc uwe kling buch taschenbuch 10 99 inkl gesetzl mwst versandkostenfrei 23 die känguru werke 2 sprache deutsch isbn 978 3 548 37383 6 sie sind wieder da das kommunistische känguru und der stoische kleinkünstler

das känguru manifest die känguru werke 2 kling marc uwe - Aug 25 2022

web sie sind wieder da Ì band 2 der erfolgreichen känguru werke taschenbuch kartoniert paperback kling marc uwe 304 seiten kulturkaufhaus veranstaltungen magazin versandkostenfreie lieferung

das känguru manifest sie sind wieder da band 2 der - Oct 07 2023

web das känguru manifest sie sind wieder da band 2 der erfolgreichen känguru werke die känguru werke band 2 kling marc uwe isbn 9783548373836 kostenloser versand für alle bücher mit versand und verkauf duch amazon

das känguru manifest die känguru werke 2 kindle ausgabe amazon de - Sep 06 2023

web das kommunistische manifest ist auch nicht das beste pardon witzigste buch von karl marx ich empfehle die deutsche ideologie verblüfft war ich von dem abtausch zwischen känguru und mitbewohner als sie versuchten dem pinguin den unterschied zwischen kommunismus und anarchismus zu erklären

das känguru manifest die känguru werke 2 sie sind wieder da band 2 - Jul 04 2023

web isbn 9783548373836 das känguru manifest die känguru werke 2 sie sind wieder da band 2 der erfolgreichen känguru werke gebraucht antiquarisch neu kaufen preisvergleich käuferschutz wir bücher

das känguru manifest die känguru werke 2 kling marc uwe - Sep 25 2022

web sie sind wieder da Ì band 2 der erfolgreichen känguru werke taschenbuch kartoniert paperback kling marc uwe 304 seiten

das känguru manifest känguru 2 hörbuch marc uwe kling - Mar 20 2022

web jan 29 2023 das känguru manifest känguru 2 hörbuch sie sind wieder da das kommunistische känguru und der stoische kleinkünstler auf der jagd nach dem

das känguru manifest die känguru werke 2 lehrerwelt de - Jul 24 2022

web sie sind wieder da das kommunistische känguru und der stoische kleinkünstler auf der jagd nach dem höchstverdächtigen pinguin rasen sie durch die ganze welt spektakuläre enthüllungen skandale intrigen ein mord für den sich niemand interessiert eine verschwörung auf niedrigster ebene ein völlig abstruser weltbeherrschungsplan mit

das känguru manifest die känguru werke 2 kling marc uwe - Oct 27 2022

web aug 12 2011 isbn 9783548373836 portofrei bestellen bei bücher lüthy das känguru manifest die känguru werke 2 taschenbuch paperback von kling marc uwe ullstein tb besuchen sie uns online unter buchhaus ch oder in einer unserer buchhandlungen

[das känguru manifest](#) [das kaenguru wiki fandom](#) - Apr 20 2022

web das känguru manifest der känguru chroniken zweiter teil ist der zweite teil der känguru trilogie und wurde von marc uwe kling verfasst inhaltsverzeichnis 1 handlung 2 klappentext 3 im buch 3 1 widmung 3 2 zitat 3 3 was bisher geschah 4 kapitel 5 titel 6 wichtige seiten 7 quellen handlung

das känguru manifest die känguru werke 2 rebuy - Jun 22 2022

web das känguru manifest die känguru werke 2 sie sind wieder da band 2 der erfolgreichen känguru werke serien oder bandtitel die känguru werke sprache deutsch beschreibung sie sind wieder da das kommunistische känguru und der stoische kleinkünstler auf der jagd nach dem höchstverdächtigen pinguin rasen sie durch die