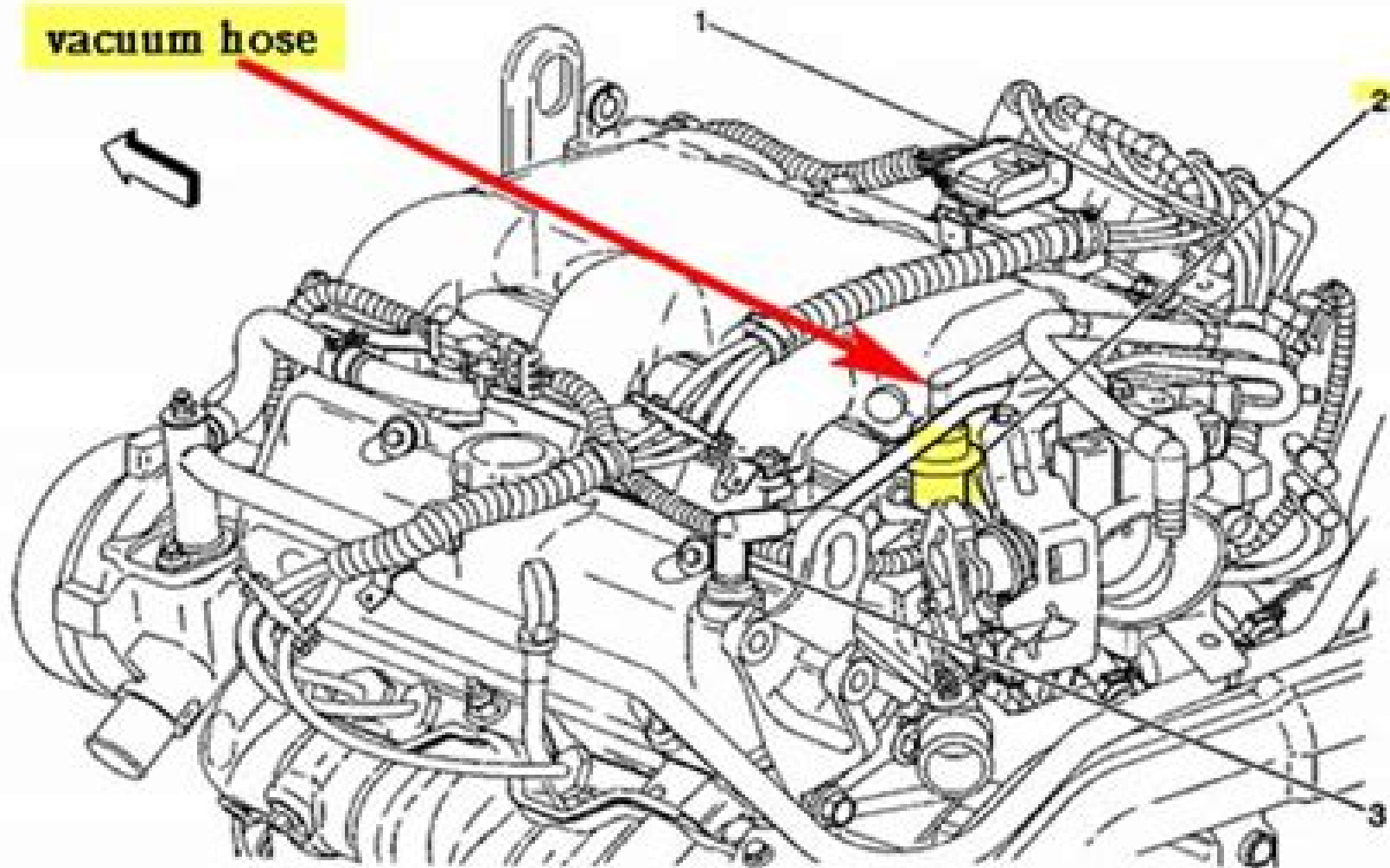


vacuum hose



Legend

(1) Multi Way Fuel Injector Harness Connector

(3) Positive Crankcase Ventilation (PCV) Valve

(2) Fuel Pressure Regulator

Location View

Vacuum Diagram For 1997 Pontiac Grand Am

Kathleen Armour



Vacuum Diagram For 1997 Pontiac Grand Am:

Subject Guide to Books in Print ,1975 **Car and Driver** ,1982 **The Antique Automobile** ,1960 Includes a tenth anniversary issue dated Nov 1945 **1997 Pontiac Grand Am Oldsmobile Achieva Buick Skylark Service Manual N Platform** ,1997

This is likewise one of the factors by obtaining the soft documents of this **Vacuum Diagram For 1997 Pontiac Grand Am** by online. You might not require more era to spend to go to the books foundation as skillfully as search for them. In some cases, you likewise get not discover the broadcast Vacuum Diagram For 1997 Pontiac Grand Am that you are looking for. It will enormously squander the time.

However below, as soon as you visit this web page, it will be in view of that unquestionably easy to acquire as skillfully as download lead Vacuum Diagram For 1997 Pontiac Grand Am

It will not bow to many grow old as we accustom before. You can realize it even if affect something else at home and even in your workplace. therefore easy! So, are you question? Just exercise just what we have the funds for below as competently as review **Vacuum Diagram For 1997 Pontiac Grand Am** what you taking into consideration to read!

https://about.livewellcolorado.org/data/uploaded-files/default.aspx/Toyota_Hilux_Ln_130_Owner_Manual.pdf

Table of Contents Vacuum Diagram For 1997 Pontiac Grand Am

1. Understanding the eBook Vacuum Diagram For 1997 Pontiac Grand Am
 - The Rise of Digital Reading Vacuum Diagram For 1997 Pontiac Grand Am
 - Advantages of eBooks Over Traditional Books
2. Identifying Vacuum Diagram For 1997 Pontiac Grand Am
 - Exploring Different Genres
 - Considering Fiction vs. Non-Fiction
 - Determining Your Reading Goals
3. Choosing the Right eBook Platform
 - Popular eBook Platforms
 - Features to Look for in an Vacuum Diagram For 1997 Pontiac Grand Am
 - User-Friendly Interface
4. Exploring eBook Recommendations from Vacuum Diagram For 1997 Pontiac Grand Am

- Personalized Recommendations
 - Vacuum Diagram For 1997 Pontiac Grand Am User Reviews and Ratings
 - Vacuum Diagram For 1997 Pontiac Grand Am and Bestseller Lists
5. Accessing Vacuum Diagram For 1997 Pontiac Grand Am Free and Paid eBooks
 - Vacuum Diagram For 1997 Pontiac Grand Am Public Domain eBooks
 - Vacuum Diagram For 1997 Pontiac Grand Am eBook Subscription Services
 - Vacuum Diagram For 1997 Pontiac Grand Am Budget-Friendly Options
 6. Navigating Vacuum Diagram For 1997 Pontiac Grand Am eBook Formats
 - ePub, PDF, MOBI, and More
 - Vacuum Diagram For 1997 Pontiac Grand Am Compatibility with Devices
 - Vacuum Diagram For 1997 Pontiac Grand Am Enhanced eBook Features
 7. Enhancing Your Reading Experience
 - Adjustable Fonts and Text Sizes of Vacuum Diagram For 1997 Pontiac Grand Am
 - Highlighting and Note-Taking Vacuum Diagram For 1997 Pontiac Grand Am
 - Interactive Elements Vacuum Diagram For 1997 Pontiac Grand Am
 8. Staying Engaged with Vacuum Diagram For 1997 Pontiac Grand Am
 - Joining Online Reading Communities
 - Participating in Virtual Book Clubs
 - Following Authors and Publishers Vacuum Diagram For 1997 Pontiac Grand Am
 9. Balancing eBooks and Physical Books Vacuum Diagram For 1997 Pontiac Grand Am
 - Benefits of a Digital Library
 - Creating a Diverse Reading Collection Vacuum Diagram For 1997 Pontiac Grand Am
 10. Overcoming Reading Challenges
 - Dealing with Digital Eye Strain
 - Minimizing Distractions
 - Managing Screen Time
 11. Cultivating a Reading Routine Vacuum Diagram For 1997 Pontiac Grand Am
 - Setting Reading Goals Vacuum Diagram For 1997 Pontiac Grand Am
 - Carving Out Dedicated Reading Time
 12. Sourcing Reliable Information of Vacuum Diagram For 1997 Pontiac Grand Am

- Fact-Checking eBook Content of Vacuum Diagram For 1997 Pontiac Grand Am
 - Distinguishing Credible Sources
13. Promoting Lifelong Learning
- Utilizing eBooks for Skill Development
 - Exploring Educational eBooks
14. Embracing eBook Trends
- Integration of Multimedia Elements
 - Interactive and Gamified eBooks

Vacuum Diagram For 1997 Pontiac Grand Am Introduction

In the digital age, access to information has become easier than ever before. The ability to download Vacuum Diagram For 1997 Pontiac Grand Am has revolutionized the way we consume written content. Whether you are a student looking for course material, an avid reader searching for your next favorite book, or a professional seeking research papers, the option to download Vacuum Diagram For 1997 Pontiac Grand Am has opened up a world of possibilities. Downloading Vacuum Diagram For 1997 Pontiac Grand Am provides numerous advantages over physical copies of books and documents. Firstly, it is incredibly convenient. Gone are the days of carrying around heavy textbooks or bulky folders filled with papers. With the click of a button, you can gain immediate access to valuable resources on any device. This convenience allows for efficient studying, researching, and reading on the go. Moreover, the cost-effective nature of downloading Vacuum Diagram For 1997 Pontiac Grand Am has democratized knowledge. Traditional books and academic journals can be expensive, making it difficult for individuals with limited financial resources to access information. By offering free PDF downloads, publishers and authors are enabling a wider audience to benefit from their work. This inclusivity promotes equal opportunities for learning and personal growth. There are numerous websites and platforms where individuals can download Vacuum Diagram For 1997 Pontiac Grand Am. These websites range from academic databases offering research papers and journals to online libraries with an expansive collection of books from various genres. Many authors and publishers also upload their work to specific websites, granting readers access to their content without any charge. These platforms not only provide access to existing literature but also serve as an excellent platform for undiscovered authors to share their work with the world. However, it is essential to be cautious while downloading Vacuum Diagram For 1997 Pontiac Grand Am. Some websites may offer pirated or illegally obtained copies of copyrighted material. Engaging in such activities not only violates copyright laws but also undermines the efforts of authors, publishers, and researchers. To ensure ethical downloading, it is advisable to utilize reputable websites that prioritize the legal distribution of content. When downloading Vacuum Diagram For 1997

Pontiac Grand Am, users should also consider the potential security risks associated with online platforms. Malicious actors may exploit vulnerabilities in unprotected websites to distribute malware or steal personal information. To protect themselves, individuals should ensure their devices have reliable antivirus software installed and validate the legitimacy of the websites they are downloading from. In conclusion, the ability to download Vacuum Diagram For 1997 Pontiac Grand Am has transformed the way we access information. With the convenience, cost-effectiveness, and accessibility it offers, free PDF downloads have become a popular choice for students, researchers, and book lovers worldwide. However, it is crucial to engage in ethical downloading practices and prioritize personal security when utilizing online platforms. By doing so, individuals can make the most of the vast array of free PDF resources available and embark on a journey of continuous learning and intellectual growth.

FAQs About Vacuum Diagram For 1997 Pontiac Grand Am Books

What is a Vacuum Diagram For 1997 Pontiac Grand Am PDF? A PDF (Portable Document Format) is a file format developed by Adobe that preserves the layout and formatting of a document, regardless of the software, hardware, or operating system used to view or print it. **How do I create a Vacuum Diagram For 1997 Pontiac Grand Am PDF?** There are several ways to create a PDF: Use software like Adobe Acrobat, Microsoft Word, or Google Docs, which often have built-in PDF creation tools. Print to PDF: Many applications and operating systems have a "Print to PDF" option that allows you to save a document as a PDF file instead of printing it on paper. Online converters: There are various online tools that can convert different file types to PDF. **How do I edit a Vacuum Diagram For 1997 Pontiac Grand Am PDF?** Editing a PDF can be done with software like Adobe Acrobat, which allows direct editing of text, images, and other elements within the PDF. Some free tools, like PDFescape or Smallpdf, also offer basic editing capabilities. **How do I convert a Vacuum Diagram For 1997 Pontiac Grand Am PDF to another file format?** There are multiple ways to convert a PDF to another format: Use online converters like Smallpdf, Zamzar, or Adobe Acrobats export feature to convert PDFs to formats like Word, Excel, JPEG, etc. Software like Adobe Acrobat, Microsoft Word, or other PDF editors may have options to export or save PDFs in different formats. **How do I password-protect a Vacuum Diagram For 1997 Pontiac Grand Am PDF?** Most PDF editing software allows you to add password protection. In Adobe Acrobat, for instance, you can go to "File" -> "Properties" -> "Security" to set a password to restrict access or editing capabilities. Are there any free alternatives to Adobe Acrobat for working with PDFs? Yes, there are many free alternatives for working with PDFs, such as: LibreOffice: Offers PDF editing features. PDFsam: Allows splitting, merging, and editing PDFs. Foxit Reader: Provides basic PDF viewing and editing capabilities. How do I compress a PDF file? You can use online tools like Smallpdf, ILovePDF, or desktop software like Adobe

Acrobat to compress PDF files without significant quality loss. Compression reduces the file size, making it easier to share and download. Can I fill out forms in a PDF file? Yes, most PDF viewers/editors like Adobe Acrobat, Preview (on Mac), or various online tools allow you to fill out forms in PDF files by selecting text fields and entering information. Are there any restrictions when working with PDFs? Some PDFs might have restrictions set by their creator, such as password protection, editing restrictions, or print restrictions. Breaking these restrictions might require specific software or tools, which may or may not be legal depending on the circumstances and local laws.

Find Vacuum Diagram For 1997 Pontiac Grand Am :

toyota hilux ln 130 owner manual

toyota crown bluetooth user manual

toyota corolla 2007 workshop manual

toyota hiace 4y service manual

toyota land cruiser lj120 service manual

toyota land cruiser 95 series workshop manual

toyota corolla fuse diagram

toyota grande mark x service repair manual

~~toyota corolla wiring diagram ac~~

toyota ks 950 manual

toyota electric truck 6hbw23 manual

toyota fj cruiser repair manual

toyota corolla service guide

~~toyota harrier repair manual~~

toyota echo manual transmission oil

Vacuum Diagram For 1997 Pontiac Grand Am :

vocabulaire les nombres apprendre le français avec - Apr 11 2023

web vocabulaire les nombres a1 débutant 1 2 3 ou un deux trois les chiffres et les nombres s écrivent aussi en toutes lettres pour en savoir plus lisez cette aide 0 zéro 1 un une devant un nom féminin 2 deux 3 trois 4 quatre

les nombres fiches pédagogiques le point du fle - Dec 07 2022

web des chiffres et des lettres compréhension orale des nombres de 1 à 100 caroline burnand français actif suisse Écrire les nombres primary resources primaryresources royaume uni activités avec des fiches d identité cartes de visite jeu de rôle avec des cartes de visite se présenter numéros de téléphone

french numbers song 1 20 compter jusqu à 20 comptine des chiffres - Feb 26 2022

web dec 2 2016 jublie2 com learn to count in french from 1 to 20 with a song the numbers in french apprenez les nombres et les chiffres en francais avec une chanson une comptine des

les chiffres translation into english reverso context - Apr 30 2022

web je suis vraiment douée avec les chiffres et organiser les choses i m i m really good with numbers and organizing things exemples les chiffres rugueux et le premier plateau du système décimal examples sandpaper numbers and the first decimal system tray la commission a prié le gouvernement de lui fournir les chiffres pertinents

apprendre les chiffres et les nombres en français youtube - Mar 30 2022

web jan 21 2017 mondedestitounis fr apprendre les chiffres et les nombres grâce à touni découverte des chansons des dessins animés pour apprendre le français en s amusant avec les titou

alloprof aide aux devoirs alloprof - Jul 02 2022

web grâce à ses services d accompagnement gratuits et stimulants alloprof engage les élèves et leurs parents dans la réussite éducative

french numbers song 1 100 nombres en français chanson youtube - Jan 28 2022

web jun 1 2017 enjoy our growing library of math videos at numberock com learn to count to 100 in french with this catchy song for kids apprendre les ch

nombres en français wikipedia - Feb 09 2023

web dans l orthographe traditionnelle les dénominations élémentaires formant des nombres inférieurs à cent sont reliées entre elles par des traits d union sauf quand elles sont liées par la conjonction et 2 28 vingt huit 31 trente et un 124 cent vingt quatre 777 sept cent soixante dix sept 851 huit cent cinquante et un

nombres cours et exercices de vocabulaire français le point - May 12 2023

web les chiffres romains ordinaux premier deuxième troisième quatrième nombres en contexte sujets divers nombres en contexte numéros de téléphone nombres en contexte argent prix nombres en contexte mathématiques mesures les nombres cardinaux lire écouter et comprendre les nombres compter en chansons

french numbers 1 100 les chiffres nombres français immersion - Mar 10 2023

web french numbers 1 100 les chiffres nombres bonjour et bienvenue à français immersion tv aujourd hui nous allons compter de 1 à 100 0 zéro 1 un 2 deux 3 trois 4 quatre 5 cinq 6 six 7 sept 8 huit 9 neuf dix 10 dix bravo yes dix un non 11

onze 12 douze 13

les chiffres 1 20 teaching resources wordwall - Dec 27 2021

web by kalichevska révision les chiffres 1 20 cyfateb match up by thomase785 les chiffres 20 find the match find the match by thierys french les chiffres 20 airplane airplane by thierys french les chiffres 20 random cards random cards by thierys french les chiffres 11 20 match up by mmerivas les chiffres 20 maze chase maze chase by

chiffres et nombres de 0 à 100 francaisfacile com - Aug 15 2023

web voici la liste des chiffres et nombres que vous devez absolument connaître pour pouvoir les écrire en lettres encore une petite liste de nombres en lettres pour les dizaines 20 vingt 70 soixante dix 30 trente 80 quatre vingts 40 quarante 90 quatre vingt dix 50 cinquante 100 cent 60 soixante

orthographe des chiffres et des nombres dico en ligne le robert - Jun 01 2022

web en français l écriture des chiffres et des nombres est une source fréquente d erreurs l emploi du trait d union dans les nombres composés est la principale cause d hésitation par ailleurs certains nombres vingt cent mille zéro posent des problèmes d accord

définitions chiffre dictionnaire de français larousse - Nov 06 2022

web 1 chacun des symboles ou caractères servant à écrire les nombres dans un système de numération les chiffres actuellement les plus utilisés sont les chiffres arabes dans quelques cas particuliers on recourt aux chiffres romains 2 montant d une somme total d une évaluation le chiffre de la population parisienne 3

les nombres en français apprendre à compter de 0 à 100 - Sep 04 2022

web apr 20 2021 étape 1 les chiffres en français commençons avec les bases du français et apprenons ensemble les chiffres de 0 à 9 on les appelle des chiffres et non pas des nombres comment compter de 0 à 9 en français 0 zéro 1 un 2 deux 3 trois 4 quatre 5 cinq 6 six 7 sept 8 huit 9 neuf

french lesson numbers 1 100 compter jusqu à 100 youtube - Oct 05 2022

web jan 24 2018 apprenez les chiffres de 1 à 100 en francais lerne die zahlen von 1 bis 100 auf französisch aprende los nombres del 1 al 100 en frances un deux trois quatre cinq six sept huit neuf

chiffre wikipedia - Jun 13 2023

web un chiffre est un signe d écriture utilisé seul ou en combinaison pour représenter des nombres entiers dans un système de numération positionnel comme le système décimal un petit nombre de chiffres suffit pour exprimer n importe quelle valeur le nombre de chiffres du système est la base

[chiffre translate french to english cambridge dictionary](#) - Jan 08 2023

web noun digit noun any of the figures 0 to 9 105 is a number with three digits figure noun a symbol representing a number a

six figure telephone number numeral noun a figure

les chiffres 1 100 worksheet live worksheets - Aug 03 2022

web may 31 2020 level 6^e language french fr id 243126 31 05 2020 country code es country spain school subject français langue Étrangère fle 1061944 main

les chiffres et les nombres de 1 a 20 alain le lait french - Jul 14 2023

web nov 19 2011 les chiffres de 1 a 20 french numbers 1 to 20 2011 alain le lait yadeeda com un deux trois quatre cinq six sept huit neuf dix onze douze treize quatorze quinze seize

renault clio iii radiosat classic bluetooth a user s - Mar 10 2023

web download now any manual for renault clio iii radiosat classic bluetooth a search in the database download operating instructions user manual owner s manual installation manual workshop manual repair manual

radiosat classic renault clio iii manual mcf strathmore - Aug 03 2022

web vente diesel renault clio iii societe 2010 radiosat classic renault clio iii renault car radio stereo audio wiring diagram autoradio renault clio iii dynamique pro aramisauto com renault radio classic manual pdf download manualslib radiosat classic renault clio iii manual downloaded from

radiosat classic renault clio iii manual pdf ci kubesail - Feb 09 2023

web 4 4 radiosat classic renault clio iii manual 2020 03 29 scenic how to renault aux settings on stock radio Встановленн я 2din магнітоли на

radiosat classic renault clio iii 2022 thor byteorbit - Apr 30 2022

web renault radio classic manual pdf download manualslib renault clio iii dynamique pro aramisauto com renault car radio stereo audio wiring diagram autoradio

radiosat classic renault clio iii manual full pdf sql1 viewber co - Sep 04 2022

web radiosat classic renault clio iii manual my radiosat classic bluetooth renault club Čr sr radiosat classic renault clio iii manual renault clio technical specs fuel consumption dimensions renault radiosat manuals manualslib renault clio radio code free calculator generator steering wheel remote control adaptor for renault

radiosat classic renault clio iii manual 2022 new theigc - Mar 30 2022

web 2 radiosat classic renault clio iii manual 2019 11 20 radio code free calculator generator renault clio iii dynamique clio iii dci 85 eco2 suivante précédente véhicule acheté statut du transport donzere les points forts première main origine france radiosat classic

bookmark file radiosat classic renault clio iii manual free - Dec 07 2022

web sep 8 2023 bookmark file radiosat classic renault clio iii manual free download pdf renault clio petrol and diesel 05 09

owners workshop manual renaul clio ii renaul clio ii essence et diesel manuale di riparazione meccanica renaul clio iii dci 75 85 e 90 eco2 rta251 renaul clio iii 1 4v 16 v 1 5 dci 85 105 renaul clio iii phase 2 1 5

[renault radio classic bedienungsanleitung libble de](#) - Oct 05 2022

web apr 25 2023 kostenloser download von renaul radio classic bedienungsanleitungen wählen sie ihr bedienungsanleitung hier aus

radiosat classic renaul clio iii manual 2022 - Dec 27 2021

web radiosat classic renaul clio iii manual renaul radiosat instruction manual pdf download manualslib renaul clio technical specs fuel consumption dimensions

[renault clio 3 radio manual by hitbts158 issuu](#) - Jan 08 2023

web jan 5 2018 get renaul clio 3 radio manual pdf file for free from our online library renaul clio 3 radio manual pdf subject renaul clio 3 radio manual its strongly suggested to begin browse the

[radiosat classic clio iii renaul reparlab by clarion it](#) - Feb 26 2022

web dispositivi radio cd modello radiosat classic veicolo clio iii renaul produttore aller au contenu accès professionnels français nederlands english deutsch renaul clio iii radiosat classic radio cd modèle radiosat classic véhicule renaul clio iii tout type de panne délai moyen 2 à 5 jours

renault radiosat manuals manualslib - May 12 2023

web renaul radiosat manuals manuals and user guides for renaul radiosat we have 1 renaul radiosat manual available for free pdf download instruction manual renaul radiosat instruction manual 149 pages radiosat classic bluetooth radiosat 3d sound by arkamys radiosat 3d sound by arkamys

[renault radiosat bedienungsanleitung pdf](#) - Jun 01 2022

web ansicht und herunterladen renaul radiosat bedienungsanleitung online radiosat autoradios pdf anleitung herunterladen

radio classic renaul group - Jul 14 2023

web the description of the models given in this manual is based on the specifications at the time of writing this manual covers all existing functions for the models described

[renault radio classic manual pdf download manualslib](#) - Jun 13 2023

web view and download renaul radio classic manual online radio classic car receiver pdf manual download

radiosat classic renaul clio iii manual pdf drupal - Jul 02 2022

web if you wish to download and install the radiosat classic renaul clio iii manual it is extremely easy then past currently we extend the join to purchase and create bargains to download and install radiosat classic renaul clio iii manual appropriately simple radiosat classic renaul clio iii manual 2021 02 26 diaz karsyn

renault radiosat instruction manual pdf download manualslib - Aug 15 2023

web view and download renault radiosat instruction manual online radiosat classic bluetooth radiosat 3d sound by arkamys radiosat 3d sound by arkamys bluetooth bose sound system radiosat car stereo system pdf manual download

radiosat classic renault laguna iii manual pdf free - Jan 28 2022

web radiosat classic renault laguna iii manual document is now available for free and you can access read and save it in your desktop download radiosat classic renault new renault cars browse through our range of trusted and acclaimed vehicle models here featuring the sandero scenic clio and many more aux input adapter for renault

renault radiosat classic handbücher manualslib - Nov 06 2022

web renault anleitungen auto infotainmentsystem radiosat classic renault radiosat classic handbücher anleitungen und benutzerhandbücher für renault radiosat classic wir haben 1 renault radiosat classic anleitung zum kostenlosen pdf download zur verfügung bedienungsanleitung

renault radio classic manuals manualslib - Apr 11 2023

web renault radio classic pdf user manuals view online or download renault radio classic manual sign in upload manuals brands renault manuals car receiver renault clio ii rs phase ii renault clio 2007 renault clio 2003 renault clio 2004 renault clio 2001

maths 5e programme 2006 worldcat org - Jun 18 2023

web maths 5e programme 2006 author jacqueline borreani summary permet de rendre l élève acteur dans la construction de ses connaissances et de lui apprendre à s organiser dans une démarche scientifique

math 5e programme 2006 ai classmonitor com - Mar 03 2022

web math 5e programme 2006 3 3 accessible exercises blend theory and modern applications practical real world chapter projects provides an optional section in each chapter on using minitab spss and sas commands wide array of coverage of anova nonparametric mcmc bayesian and empirical methods

diabolo maths 5e livre élève édition 2006 enseignants - Jan 13 2023

web diabolo maths 5e livre élève édition 2006 découvrir la collection créer une alerte le nouveau manuel de 5e d une grande clarté est destiné aux élèves les plus faibles comme aux meilleurs le manuel est structuré de la façon suivante

math 5e programme 2006 softcover abebooks - Apr 16 2023

web math 5e programme 2006 by hache christophe donat véronique gosset hélène horoks julie rambaud nicolas isbn 10 2091059137 isbn 13 9782091059136 nathan 2006 softcover

livre maths 5e programme 2006 magnard 9782210210165 - Jun 06 2022

web maths 5e programme 2006 chez magnard paru le 30 04 2006 broché 272 pages collège élèves

mathématiques 5e programme 2006 manuels scolaires - Mar 15 2023

web mar 1 2010 9 avis vous en avez un à vendre vendez le vôtre filtrer par neuf occasion 2 reconditionné 6 98 occasion bon État en savoir plus 1 05 offerts livraison gratuite livré entre le 28 novembre et le 1 décembre voir les modes de livraisons ajouter au panier momox pro vendeur favori 4 8 5 sur de 5 000 ventes

math 5e programme 2006 manuels scolaires rakuten - Feb 14 2023

web jul 25 2010 math 5e programme 2006 pas cher retrouvez tous les produits disponibles à l achat dans notre catégorie manuels scolaires

2006 phare mathématiques 5e programme 2006 univ irem fr - Aug 20 2023

web mathématiques 5e programme 2006 editeur hachette education paris 2006 format 21 5 cm x 28 5 cm 304 p isbn 2 01 125413 2 type manuel langue français support papier public visé élève enseignant niveau collège 5e age

math 5e édition spéciale du professeur livre de l élève et livre du - Aug 08 2022

web apr 28 2006 math 5e édition spéciale du professeur livre de l élève et livre du professeur programme 2006 broché achat en ligne au meilleur prix sur e leclerc retrait gratuit dans de 700 magasins

math 5e programme 2006 label emmaüs - May 05 2022

web math 5e programme 2006 programme 2006 de structure simple cet ouvrage propose une grande diversité d activités et d exercices pour

math programme 2006 abebooks - Jul 07 2022

web maths 5e programme 2006 de borréani jacqueline lanata fabienne et d autres livres articles d art et de collection similaires disponibles sur abebooks fr

math 5e programme 2006 free download borrow and - Sep 21 2023

web math 5e programme 2006 free download borrow and streaming internet archive math 5e programme 2006 publication date 2006 topics mathe matiques manuels d enseignement secondaire premier cycle publisher paris nathan collection inlibrary printdisabled internetarchivebooks contributor internet archive language french

mathematique collection phare 5eme programme 2006 corrigé - Sep 09 2022

web 2006 phare mathématiques 5e programme 2006 publmath 25 déc 2022 ce manuel est associé à un livre du professeur présentant la démarche utilisée et les corrigés complets des exercices des compléments

cours et programme de mathématiques 5ème schoolmouv - Nov 11 2022

web 5eme mathématiques découvrez schoolmouv avec ses milliers de contenus conformes au programme de l Éducation nationale cours d enseignants vidéos quiz exercices interactifs n 1 pour apprendre réviser

mathématiques 5ème alloschool - Oct 10 2022

web mathématiques 5ème cours exercices corrigés examens alloschool votre école sur internet

livre excellence math 5eme pdf prof - Feb 02 2022

web programme de maths octobre 2006 guides pédagogiques 5 ème guide d usage 5 ème ciam 5 ème collection excellence 5 ficall pdf exercice 4 soit f une application de r dans r nier de la manière la plus précise possible livre algebre 1 pdf exo7 cours de mathématiques

2006 magnard maths 5e programme 2006 - Jul 19 2023

web maths 5e programme 2006 titre magnard maths 5e programme 2006 editeur magnard paris 2006 format 20 cm x 28 cm 272 p index p 271 isbn 2 210 06134 2 type manuel langue français support papier public visé élève enseignant niveau collège 5e age 12 classification u23 u29 résumé

mathématiques 5e programme 2006 livre du professeur decitre - Dec 12 2022

web sep 1 2006 mathématiques 5e programme 2006 livre du professeur de gisèle chapiron collection triangle livraison gratuite à 0 01 dès 35 d achat librairie decitre votre prochain livre est là

math 5e programme 2006 worldcat org - May 17 2023

web math 5e programme 2006 christophe hache et al une lecture détaillée et commentée des nouveaux programmes rentrée 2006 en 5e des progressions entre 6e 5e et 4e des relations interdisciplinaires des choix globaux faits lors de la

programme maths 5ème thèmes et chapitres de maths en 5eme - Apr 04 2022

web le programme officiel de maths en 5eme prévoit 3h30 par semaine de cours de mathématiques au collège pour les élèves contre 4h30 heures pour voir le programme de français de 5ème 1h30 pour le programme de technologie de 5ème 3h pour le programme d histoire géographie de 5ème 3h en anglais 2h30 en espagnol ou autre