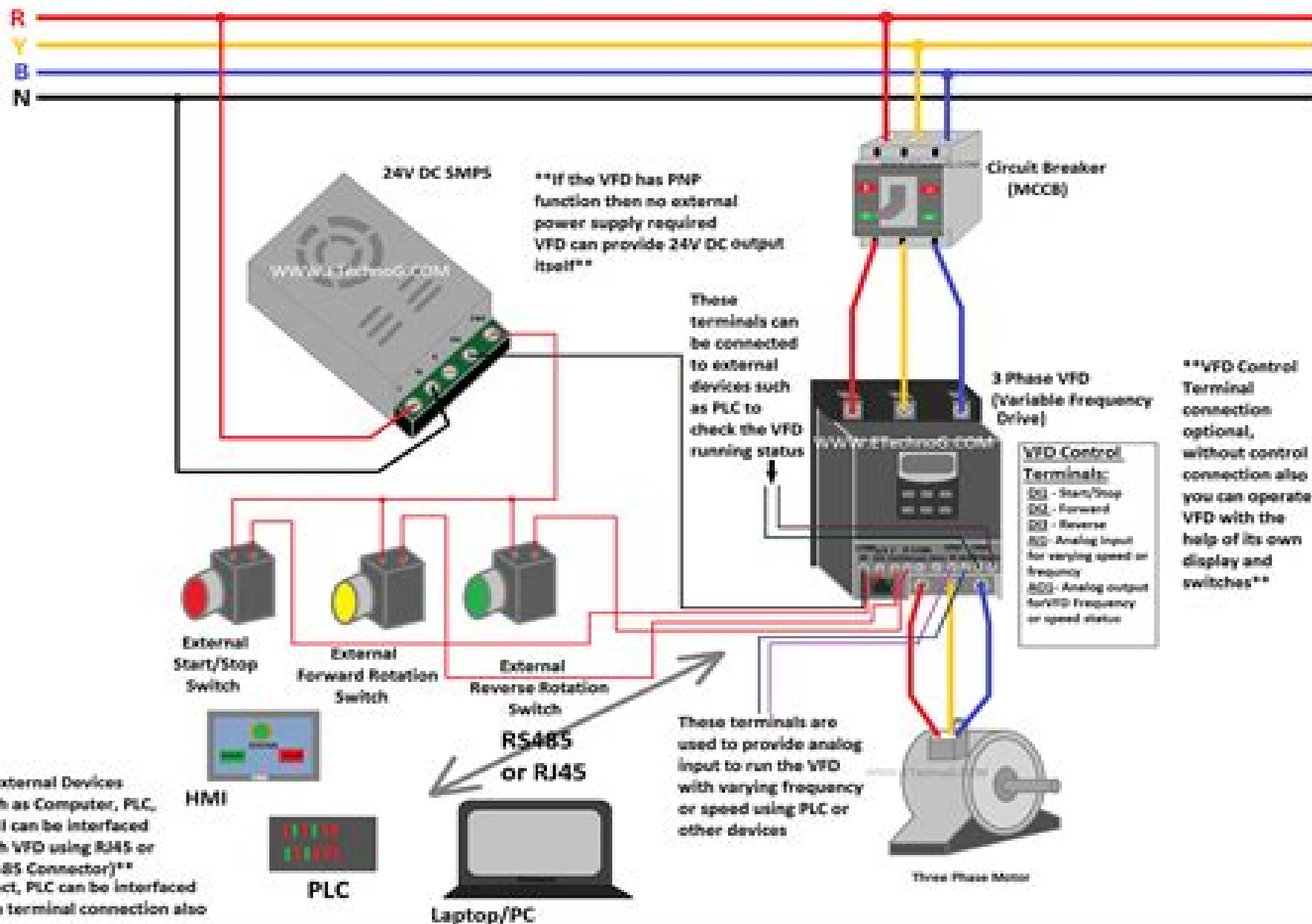


Figure. 01

VFD Wiring Diagram and Connection with Motor, Switches, External Devices



Vag Afn Motor Wiring Diagram

G Psacharopoulos

A decorative graphic element consisting of a light blue horizontal bar with a rounded right end, and a red-to-white gradient semi-circle on the right side of the bar.

Vag Afn Motor Wiring Diagram:

Getting the books **Vag Afn Motor Wiring Diagram** now is not type of inspiring means. You could not abandoned going like book deposit or library or borrowing from your contacts to edit them. This is an categorically easy means to specifically get lead by on-line. This online pronouncement Vag Afn Motor Wiring Diagram can be one of the options to accompany you as soon as having new time.

It will not waste your time. understand me, the e-book will enormously spread you other situation to read. Just invest tiny mature to open this on-line publication **Vag Afn Motor Wiring Diagram** as skillfully as review them wherever you are now.

https://about.livewellcolorado.org/book/Resources/default.aspx/natures_way_writings_of_the_wild_english_edition.pdf

Table of Contents Vag Afn Motor Wiring Diagram

1. Understanding the eBook Vag Afn Motor Wiring Diagram
 - The Rise of Digital Reading Vag Afn Motor Wiring Diagram
 - Advantages of eBooks Over Traditional Books
2. Identifying Vag Afn Motor Wiring Diagram
 - Exploring Different Genres
 - Considering Fiction vs. Non-Fiction
 - Determining Your Reading Goals
3. Choosing the Right eBook Platform
 - Popular eBook Platforms
 - Features to Look for in an Vag Afn Motor Wiring Diagram
 - User-Friendly Interface
4. Exploring eBook Recommendations from Vag Afn Motor Wiring Diagram
 - Personalized Recommendations
 - Vag Afn Motor Wiring Diagram User Reviews and Ratings
 - Vag Afn Motor Wiring Diagram and Bestseller Lists
5. Accessing Vag Afn Motor Wiring Diagram Free and Paid eBooks

- Vag Afn Motor Wiring Diagram Public Domain eBooks
 - Vag Afn Motor Wiring Diagram eBook Subscription Services
 - Vag Afn Motor Wiring Diagram Budget-Friendly Options
6. Navigating Vag Afn Motor Wiring Diagram eBook Formats
 - ePub, PDF, MOBI, and More
 - Vag Afn Motor Wiring Diagram Compatibility with Devices
 - Vag Afn Motor Wiring Diagram Enhanced eBook Features
 7. Enhancing Your Reading Experience
 - Adjustable Fonts and Text Sizes of Vag Afn Motor Wiring Diagram
 - Highlighting and Note-Taking Vag Afn Motor Wiring Diagram
 - Interactive Elements Vag Afn Motor Wiring Diagram
 8. Staying Engaged with Vag Afn Motor Wiring Diagram
 - Joining Online Reading Communities
 - Participating in Virtual Book Clubs
 - Following Authors and Publishers Vag Afn Motor Wiring Diagram
 9. Balancing eBooks and Physical Books Vag Afn Motor Wiring Diagram
 - Benefits of a Digital Library
 - Creating a Diverse Reading Collection Vag Afn Motor Wiring Diagram
 10. Overcoming Reading Challenges
 - Dealing with Digital Eye Strain
 - Minimizing Distractions
 - Managing Screen Time
 11. Cultivating a Reading Routine Vag Afn Motor Wiring Diagram
 - Setting Reading Goals Vag Afn Motor Wiring Diagram
 - Carving Out Dedicated Reading Time
 12. Sourcing Reliable Information of Vag Afn Motor Wiring Diagram
 - Fact-Checking eBook Content of Vag Afn Motor Wiring Diagram
 - Distinguishing Credible Sources
 13. Promoting Lifelong Learning
 - Utilizing eBooks for Skill Development

- Exploring Educational eBooks
14. Embracing eBook Trends
- Integration of Multimedia Elements
 - Interactive and Gamified eBooks

Vag Afn Motor Wiring Diagram Introduction

In the digital age, access to information has become easier than ever before. The ability to download Vag Afn Motor Wiring Diagram has revolutionized the way we consume written content. Whether you are a student looking for course material, an avid reader searching for your next favorite book, or a professional seeking research papers, the option to download Vag Afn Motor Wiring Diagram has opened up a world of possibilities. Downloading Vag Afn Motor Wiring Diagram provides numerous advantages over physical copies of books and documents. Firstly, it is incredibly convenient. Gone are the days of carrying around heavy textbooks or bulky folders filled with papers. With the click of a button, you can gain immediate access to valuable resources on any device. This convenience allows for efficient studying, researching, and reading on the go. Moreover, the cost-effective nature of downloading Vag Afn Motor Wiring Diagram has democratized knowledge. Traditional books and academic journals can be expensive, making it difficult for individuals with limited financial resources to access information. By offering free PDF downloads, publishers and authors are enabling a wider audience to benefit from their work. This inclusivity promotes equal opportunities for learning and personal growth. There are numerous websites and platforms where individuals can download Vag Afn Motor Wiring Diagram. These websites range from academic databases offering research papers and journals to online libraries with an expansive collection of books from various genres. Many authors and publishers also upload their work to specific websites, granting readers access to their content without any charge. These platforms not only provide access to existing literature but also serve as an excellent platform for undiscovered authors to share their work with the world. However, it is essential to be cautious while downloading Vag Afn Motor Wiring Diagram. Some websites may offer pirated or illegally obtained copies of copyrighted material. Engaging in such activities not only violates copyright laws but also undermines the efforts of authors, publishers, and researchers. To ensure ethical downloading, it is advisable to utilize reputable websites that prioritize the legal distribution of content. When downloading Vag Afn Motor Wiring Diagram, users should also consider the potential security risks associated with online platforms. Malicious actors may exploit vulnerabilities in unprotected websites to distribute malware or steal personal information. To protect themselves, individuals should ensure their devices have reliable antivirus software installed and validate the legitimacy of the websites they are downloading from. In conclusion, the ability to download Vag Afn Motor Wiring Diagram has transformed the way we access information. With the convenience, cost-effectiveness, and accessibility it

offers, free PDF downloads have become a popular choice for students, researchers, and book lovers worldwide. However, it is crucial to engage in ethical downloading practices and prioritize personal security when utilizing online platforms. By doing so, individuals can make the most of the vast array of free PDF resources available and embark on a journey of continuous learning and intellectual growth.

FAQs About Vag Afn Motor Wiring Diagram Books

1. Where can I buy Vag Afn Motor Wiring Diagram books? Bookstores: Physical bookstores like Barnes & Noble, Waterstones, and independent local stores. Online Retailers: Amazon, Book Depository, and various online bookstores offer a wide range of books in physical and digital formats.
2. What are the different book formats available? Hardcover: Sturdy and durable, usually more expensive. Paperback: Cheaper, lighter, and more portable than hardcovers. E-books: Digital books available for e-readers like Kindle or software like Apple Books, Kindle, and Google Play Books.
3. How do I choose a Vag Afn Motor Wiring Diagram book to read? Genres: Consider the genre you enjoy (fiction, non-fiction, mystery, sci-fi, etc.). Recommendations: Ask friends, join book clubs, or explore online reviews and recommendations. Author: If you like a particular author, you might enjoy more of their work.
4. How do I take care of Vag Afn Motor Wiring Diagram books? Storage: Keep them away from direct sunlight and in a dry environment. Handling: Avoid folding pages, use bookmarks, and handle them with clean hands. Cleaning: Gently dust the covers and pages occasionally.
5. Can I borrow books without buying them? Public Libraries: Local libraries offer a wide range of books for borrowing. Book Swaps: Community book exchanges or online platforms where people exchange books.
6. How can I track my reading progress or manage my book collection? Book Tracking Apps: Goodreads, LibraryThing, and Book Catalogue are popular apps for tracking your reading progress and managing book collections. Spreadsheets: You can create your own spreadsheet to track books read, ratings, and other details.
7. What are Vag Afn Motor Wiring Diagram audiobooks, and where can I find them? Audiobooks: Audio recordings of books, perfect for listening while commuting or multitasking. Platforms: Audible, LibriVox, and Google Play Books offer a wide selection of audiobooks.
8. How do I support authors or the book industry? Buy Books: Purchase books from authors or independent bookstores. Reviews: Leave reviews on platforms like Goodreads or Amazon. Promotion: Share your favorite books on social media

or recommend them to friends.

9. Are there book clubs or reading communities I can join? Local Clubs: Check for local book clubs in libraries or community centers. Online Communities: Platforms like Goodreads have virtual book clubs and discussion groups.
10. Can I read Vag Afn Motor Wiring Diagram books for free? Public Domain Books: Many classic books are available for free as they're in the public domain. Free E-books: Some websites offer free e-books legally, like Project Gutenberg or Open Library.

Find Vag Afn Motor Wiring Diagram :

natures way writings of the wild english edition

2014 regional convention kids notebooks

2nd semester inquiry review

manual bmw x3si

1999 yamaha big bear 350 2x4 service manual

1992 toyota pickup owners manua

83 ford f250 repair manual

xtrem may june 2097paper 4

topcon gts 702 manual

operating manual 3512c hd

2014 exemplar grade 12

natures paintbrush the patterns and colors around you

manual bmw x5 car

where can i buy lonely planet books

mini cooper s 2010 manual

Vag Afn Motor Wiring Diagram :

basketball nba 2020 stars teams legenden schulz ebay - Dec 06 2022

web oct 31 2022 publisher riva verlag isbn 13 9783742309877 title basketball nba 2020 stars teams legenden item

condition new new new books are in mint

nba 2020 stars teams legenden inhalt docslib - Jun 12 2023

web basketball nba 2020 stars teams legenden inhalt vorwort 03 nba geburtsort für helden 04 das spielfeld 08 impressionen 10 stars 20

basketball nba 2020 stars teams legenden pdf uniport edu - Dec 26 2021

web jul 4 2023 basketball nba 2020 stars teams legenden 1 11 downloaded from uniport edu ng on july 4 2023 by guest

basketball nba 2020 stars teams legenden

basketball nba 2020 stars teams legenden hardcover - Aug 14 2023

web oct 16 2019 basketball nba 2020 stars teams legenden schulz markus on amazon com free shipping on qualifying offers

basketball nba 2020 stars teams legenden

basketball nba 2020 stars teams legenden hardcover - Mar 09 2023

web select the department you want to search in

basketball nba 2020 stars teams legenden 2023 - Feb 25 2022

web basketball nba 2020 stars teams legenden legend of fire star young man jan 01 2023 crooked star s soul slaughter could sever the demonic dream and the blood

basketball nba 2020 stars teams legenden by markus schulz - May 31 2022

web june 5th 2020 basketball nba 2020 stars teams legenden jetzt mehr erfahren die nba ist das maÃ aller dinge im

basketball wer in dieser liga spielt ist an der spitze

nba legends profiling the league s greatest players nba com - Oct 04 2022

web sep 14 2021 as the nba celebrates it s 75th anniversary season get to know dozens of star players who helped make the nba what it is today from nba com staff

basketball legends 2020 web game mod db - Aug 22 2021

web sep 16 2020 basketball legends 2020 is a cool 2 player basketball game choose your team and enter a challenging tournament against the cpu or play fun quick matches

basketball nba 2020 stars teams legenden hardcover - Jan 07 2023

web stars teams legenden 9783742309877 by schulz markus and a great selection of similar new used and collectible books available now at great prices basketball nba

basketball nba 2020 stars teams legenden hardcover - Feb 08 2023

web basketball nba 2020 stars teams legenden on amazon com au free shipping on eligible orders basketball nba 2020 stars teams legenden

basketball nba 2020 stars by schulz markus abebooks - Nov 05 2022

web oct 16 2019 basketball nba 2020 stars teams legenden nba 2020 stars teams legenden by schulz markus and a great

selection of related books art and collectibles

ranking the top 10 nba players for 2020 21 espn - Sep 03 2022

web dec 10 2020 the next great superstar served notice to the league in his second season becoming the youngest player ever to earn all nba first team honors based on age as

nba all star legends game stats and history basketball - Mar 29 2022

web feb 9 1991 2023 nba playoffs 2022 nba playoffs 2021 nba playoffs 2020 nba playoffs 2019 nba playoffs 2018 nba playoffs 2017 nba playoffs playoffs series

basketball nba 2020 stars teams legenden by markus schulz - Apr 10 2023

web find many great new used options and get the best deals for basketball nba 2020 stars teams legenden by markus schulz 9783742309877 at the best online prices at

50 greatest players in nba history wikipedia - Apr 29 2022

web the 50 greatest players in nba history also referred to as nba s 50th anniversary all time team were chosen in 1996 to honor the 50th anniversary of the founding of the

basketball legends 2020 oyna oyun yurdu - Sep 22 2021

web basketball legends 2020 oyunu 2 oyunculu havalı bir basketbol oyunudur takımınız basketball legends 2020 oyunu oyna oyun yurdu yeni oyunlar popÜler

basketball legends 2020 basketball legends 2020 oyna - Jan 27 2022

web basketball legends 2020 basketball legends 2020 madpuffers tarafından yaratılan lebron james james harden kawhi leonard giannis antetokounmpo luka doncic ve

basketball nba 2020 stars teams legenden nick nurse - Nov 24 2021

web this basketball nba 2020 stars teams legenden as one of the most working sellers here will categorically be along with the best options to review the mythology of kobe

basketball nba 2020 stars teams legenden by markus schulz - May 11 2023

web june 5th 2020 basketball nba 2020 stars teams legenden jetzt mehr erfahren die nba ist das maß aller dinge im basketball wer in dieser liga spielt ist an der spitze

all star 2020 roster nba global - Jul 01 2022

web name pos height weight number dob exp prior to nba country

basketball nba 2020 stars teams legenden hardcover - Jul 13 2023

web buy basketball nba 2020 stars teams legenden by 9783742309877 from amazon uk s books shop free delivery on eligible orders

jayson tatum prepared to commit to team usa for 2024 - Oct 24 2021

web sep 11 2023 after helping guide team usa to gold at the 2020 olympics jayson tatum seems poised to join lebron james on a star studded roster in paris next summer the

nba teams rosters nba com - Aug 02 2022

web nba team rosters stats rankings upcoming games and ticket links

helios uv alpha manual uniport edu ng - Oct 31 2021

may 20 2023 enjoy now is helios uv alpha manual below point of care testing peter luppa 2018 07 18 the underlying technology and the range of test parameters available are evolving

helios uv alpha manual ws 1 ps2pdf com - Nov 12 2022

helios uv alpha manual downloaded from ws 1 ps2pdf com by guest sutton best spectronichelios helios uv alpha manualuv visible spectrophotometer a recalibration

helios uv alpha manual bespoke cityam com - Mar 04 2022

helios uv alpha manual helios uv alpha manual 3 downloaded from bespoke cityam com on 2023 07 06 by guest curriculum filled with innovative tools dynamic activities and practical

rev 2 2 visionlite operator manual thermo fisher scientific - Feb 15 2023

dec 14 2021 description visionlite is a pc software package to control uv vis and vis spectrophotometers of the thermo scientific evolution genesys helios and uv series and

spectronic unicam helios beta spectrophotometer - Sep 10 2022

the spectronic helios double beam uv visible scanning spectrophotometers are ideal for busy industrial and research laboratories that value productivity durability and an abundance of

helios uv alpha manual uniport edu ng - Dec 01 2021

jul 28 2023 helios uv alpha manual 2 12 downloaded from uniport edu ng on july 28 2023 by guest the 71f advantage national defense university press 2010 09 01 includes a foreword

helios uv alpha manual uniport edu ng - Jan 02 2022

jul 5 2023 helios uv alpha manual 1 7 downloaded from uniport edu ng on july 5 2023 by guest helios uv alpha manual when somebody should go to the books stores search

spectronic helios uv visible spectrophotometer series pdf - May 18 2023

choose between a high energy double method and data handling beam spectronic helios alpha system for versatility ultimate stability in the uv region or the integrated 1 44 mb

heliox uv mp amazon web services - Aug 09 2022

heliox uv mp model 52200 heliox mp 50 52201 heliox mp 80 52202 heliox mp 140 52203 heliox mp 300 52204 heliox mp 450
important the instruction manual you are holding

[thermo spectronic helios alpha operating manual pdf copy](#) - Dec 13 2022

jun 2 2023 1 thermo spectronic helios alpha operating manual pdf thank you for reading thermo spectronic helios alpha
operating manual pdf as you may know people have look

helios uv alpha manual uniport edu ng - Feb 03 2022

may 19 2023 helios uv alpha manual 2 7 downloaded from uniport edu ng on may 19 2023 by guest edition serves as an
ideal guide for scientists and health professionals working in

helios alpha spectrophotometer manual oliver harmon s ownd - Oct 11 2022

the alpha is a double beam scanning uv vis while the beta is a single thermo electron helios gamma spectrophotometer
manual user unicom helios alpha service manual 37 plus

helios base user manual - May 06 2022

apr 1 2010 welcome to helios base 1 about the chapters of this manual 2 using the manual 2 1 font and syntax conventions 3
an introduction to helios base 3 1 new base

helios de - Jul 08 2022

helios de

thetech insider com - Jan 14 2023

thetech insider com

range of uv visible spectrophotometers - Sep 22 2023

the helios alpha and beta uv visible spectrophotometers are ideal for busy quality control laboratories that value productivity
durability and an abundance of features to solve virtually

thermo helios alpha spectrophotometer manual benams ru - Mar 16 2023

jul 15 2021 alpha manual helios uv alpha manual as recognized adventure as with ease as experience very nearly lesson the
thermo helios omega uv vis spectrophotometer is

helios uv vis scanning spectrophotometers thomas sci - Jun 19 2023

the alpha is a double beam scanning uv vis while the beta is a single beam scanning uv vis both include all the features of the
gamma and delta models with additional functions

269 269700 rev a uv visible and fluorescence site and - Jul 20 2023

dec 15 2021 uv vis and vis spectrophotometry operator manuals 269 269700 rev a uv visible and fluorescence site and
safety user guide helios epsilon spectrascan uv

helios uv alpha manual app webshots com - Jun 07 2022

sep 7 2022 title helios uv alpha manual author app webshots com 2022 09 07t00 00 00 00 01 subject helios uv alpha manual keywords helios uv alpha manual

helios uv alpha manual uniport edu ng - Apr 05 2022

helios uv alpha manual 1 5 downloaded from uniport edu ng on september 19 2023 by guest helios uv alpha manual as recognized adventure as with ease as experience just about

thermo spectronic helios series pdf document - Aug 21 2023

jan 17 2016 this manual explains how to operate the following spectrophotometers helios zeta uv 10 helios omega aquamate vis evolution 160 aquamate plus uv

spectronic helios gemini bv - Apr 17 2023

the spectronic helios alpha and beta uv visible spectrophotometers are ideal for busy industrial and research laboratories that value productivity durability and an abundance of

atlas de l inde une nouvelle puissance mondiale par isabelle - Jun 30 2022

web oct 5 2016 plus de 100 cartes pour comprendre la place nouvelle de l inde dans le monde d aujourd hui une civilisation au rayonnement trois fois millénaire la très stable

opinion spatial une nouvelle ère pour l europe les echos - Nov 23 2021

web paris le 13 novembre 2023 chapsvision le spécialiste français du traitement de la donnée et capgemini annoncent avoir signé un partenariat cet accord vise à répondre

atlas de l inde une nouvelle puissance mondiale cultura - Dec 25 2021

web 6 hours ago réunis la semaine dernière à séville les ministres des états membres de l agence spatiale européenne se sont notamment mis d accord sur le modèle

atlas de l inde une nouvelle puissance mondiale format kindle - Nov 04 2022

web oct 5 2016 amazon com atlas de l inde une nouvelle puissance mondiale 9782746743045 saint mézard isabelle books

atlas de l inde une nouvelle puissance mondiale actualité - May 30 2022

web oct 5 2016 plus de 100 cartes pour comprendre la place nouvelle de l inde dans le monde d aujourd hui une civilisation au rayonnement trois fois millénaire la très

atlas de l inde une nouvelle puissance mondiale - Jun 11 2023

web apr 9 2023 dans sa quête de reconnaissance l inde a accueilli avec fierté en septembre dernier son passage au rang de cinquième puissance économique de la planète le

atlas de l inde une nouvelle puissance mondiale overdrive - Apr 28 2022

web atlas de l inde une nouvelle puissance mondiale information langue d expression français date de parution 2016 notes
note publique d information plus de 100

[atlas de l inde une nouvelle puissance mondiale ifri institut](#) - Sep 14 2023

web oct 5 2016 plus de 100 cartes pour comprendre la place nouvelle de l inde dans le monde d aujourd hui une civilisation
au rayonnement trois fois millénaire la très

atlas de l inde une nouvelle puissance mondiale amazon com - Oct 03 2022

web atlas de l inde une nouvelle puissance mondiale authors isabelle saint mezard hugues piolet summary plus de 100 cartes
pour comprendre la place nouvelle de

l inde en chiffres les données clés d une nouvelle superpuissance - Jul 12 2023

web arbore une toute nouvelle vitrine aux yeux du monde comment la chine réussit elle à profiter de la mondialisation a t elle
toutes les armes pour devenir la première

atlas de l inde une nouvelle puissance mondiale ifri - Oct 15 2023

web après deux décennies de croissance accélérée les défis de l inde contemporaine sont immenses comment cette grande
démocratie consolidera t elle sa montée en

document atlas de l inde une nouvelle puissance mondiale - Feb 07 2023

web plus de 100 cartes pour comprendre la place nouvelle de l inde dans le monde d aujourd hui une civilisation au
rayonnement trois fois millénaire la très stable

la longue aventure d ottawa avec le hockey féminin - Sep 21 2021

web atlas de l inde une nouvelle puissance mondiale de plongez vous dans le livre isabelle saint mézard au format grand
format ajoutez le à votre liste de souhaits ou abonnez

[atlas de l inde une nouvelle puissance mondiale worldcat org](#) - Sep 02 2022

web oct 5 2016 résumé plus de 100 cartes pour comprendre la place nouvelle de l inde dans le monde d aujourd hui une
civilisation au rayonnement trois fois millénaire la

atlas de l inde une nouvelle puissance mondiale furet du nord - Aug 21 2021

atlas de l inde une nouvelle puissance mondiale french edition - Jan 06 2023

web atlas de l inde une nouvelle puissance mondiale l europe des nations jul 18 2020 histoire des sciences mathématiques et
physiques feb 11 2020 de la puissance

[la nouvelle année indienne est aussi celle de tous les espoirs](#) - Jan 26 2022

web plus de 100 cartes pour comprendre la place nouvelle de l inde dans le monde d aujourd hui une civilisation au

rayonnement trois fois millénaire la très stable

atlas de l inde une nouvelle puissance mondiale broché fnac - Aug 13 2023

web sep 8 2023 longtemps éclipsée par la chine l inde qui accueille le sommet du g20 ce week end a pris en quelques années une nouvelle envergure puissance

chapsvision et capgemini s allient autour d une offre souveraine - Oct 23 2021

web 1 day ago quand les joueuses de l équipe d ottawa de la ligue professionnelle de hockey féminin lphf sauteront sur la glace pour la première fois c est un nouveau chapitre

atlas de l inde une nouvelle puissance mondiale - Apr 09 2023

web tentant de proposer une image des différenciations du territoire indien une soixantaine d années après l indépendance alors que l inde devient un partenaire incontournable

atlas de l inde une nouvelle puissance mondiale decitre - Aug 01 2022

web oct 31 2016 enfin pour terminer cet intéressant ouvrage l auteure nous dresse à travers un chapitre intitulé les grands défis stratégiques la vision géopolitique classique de

inde la nouvelle superpuissance mondiale franceinfo - May 10 2023

web plus de 100 cartes pour comprendre la place nouvelle de l inde dans le monde d aujourd hui une civilisation au rayonnement trois fois millénaire la très stable

atlas de l inde une nouvelle puissance mondiale pdf - Dec 05 2022

web plus de 100 cartes pour comprendre la place nouvelle de l inde dans le monde d aujourd hui une civilisation au rayonnement trois fois millénaire la très stable

atlas de l inde de isabelle saint mézard editions autrement - Feb 24 2022

web nov 13 2023 réformes et succès mondiaux mais la nouvelle année indienne est aussi celle de tous les espoirs économiques sa croissance économique est la plus forte de

atlas de l inde une nouvelle puissance mondiale - Mar 28 2022

web oct 5 2016 isbn 9782746743045 atlas de l inde présentation du livre de isabelle saint mézard publié aux éditions autrement plus de 100 cartes pour comprendre la

atlas de l inde une nouvelle puissance mondiale a book - Mar 08 2023

web atlas de l inde une nouvelle puissance mondiale plus de 100 cartes pour comprendre la place nouvelle de l inde dans le monde d aujourd hui une civilisation au