



1 - Hexagon socket head bolt,
 10 Nm

2 - ABS speed sensor

- Before inserting sensor,
 clean inner surface of fitting hole and coat with lubricating paste G 000 650

3 - ABS speed sensor rotor

4 - Wheel hub

- Pressing out and in ⇒
 Running gear, axles,
 steering; Rep. Gr. 40 ;
 Repairing front wheel suspension

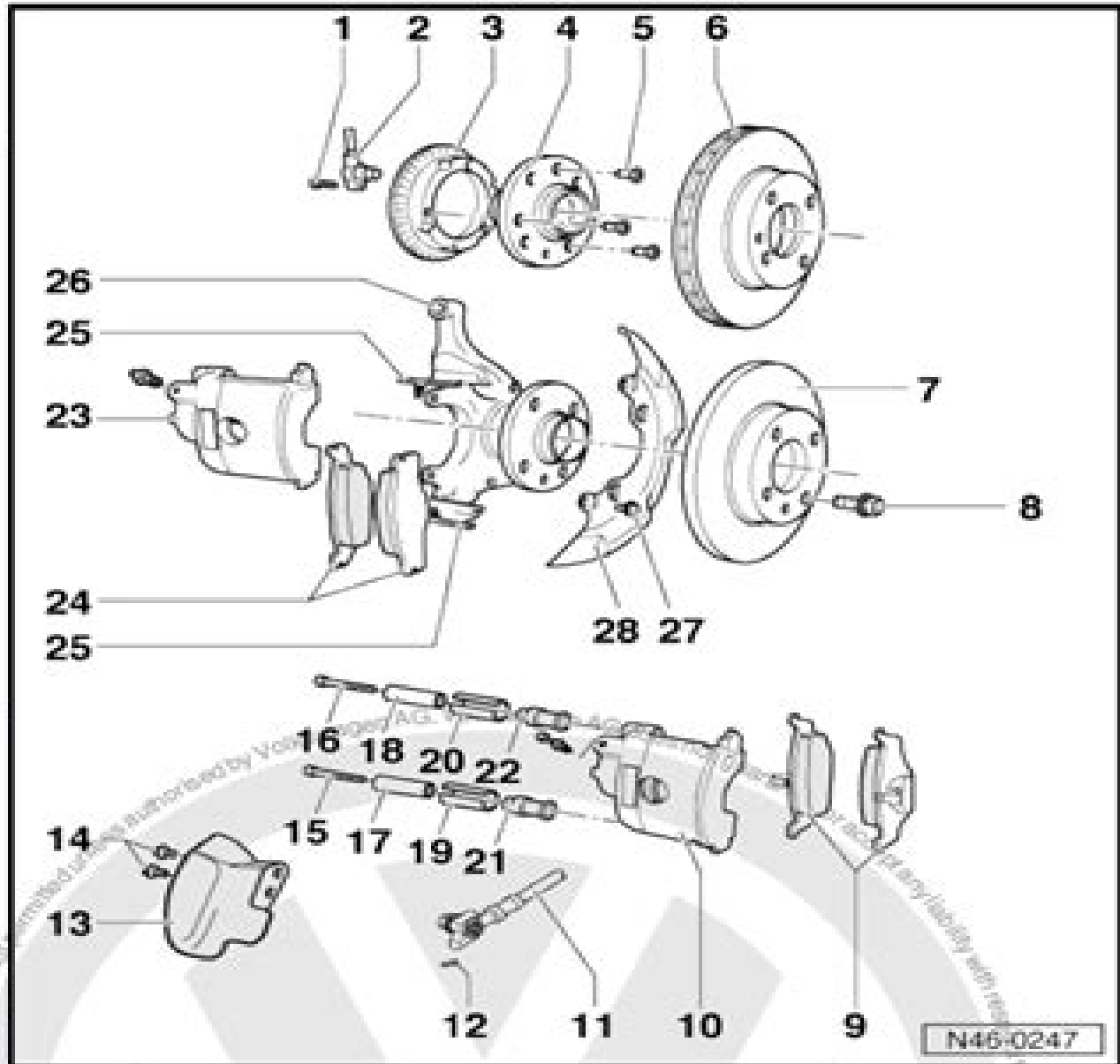
5 - Cross-head screw

6 - Brake disc, ventilated

- For VW II brake caliper
- Internally ventilated brake disc: \varnothing 239.00 mm
- Brake disc thickness: 18 mm
- Wear limit: 16 mm
- When worn, always renew on both sides of axle

7 - Brake disc

- For VW I brake caliper
- Non-ventilated brake disc: \varnothing 239.00 mm
- Brake disc thickness: 10



Vw Polo 1997 Manual

**John Harold Haynes, Kenneth Frederick
Kinchin**



Vw Polo 1997 Manual:

Thank you enormously much for downloading **Vw Polo 1997 Manual**. Maybe you have knowledge that, people have look numerous period for their favorite books as soon as this Vw Polo 1997 Manual, but stop in the works in harmful downloads.

Rather than enjoying a fine ebook bearing in mind a mug of coffee in the afternoon, then again they juggled gone some harmful virus inside their computer. **Vw Polo 1997 Manual** is handy in our digital library an online access to it is set as public correspondingly you can download it instantly. Our digital library saves in combined countries, allowing you to get the most less latency time to download any of our books considering this one. Merely said, the Vw Polo 1997 Manual is universally compatible taking into account any devices to read.

https://about.livewellcolorado.org/data/publication/Download_PDFS/shigley39s_mechanical_engineering_design_solutions_manual.pdf

Table of Contents Vw Polo 1997 Manual

1. Understanding the eBook Vw Polo 1997 Manual
 - The Rise of Digital Reading Vw Polo 1997 Manual
 - Advantages of eBooks Over Traditional Books
2. Identifying Vw Polo 1997 Manual
 - Exploring Different Genres
 - Considering Fiction vs. Non-Fiction
 - Determining Your Reading Goals
3. Choosing the Right eBook Platform
 - Popular eBook Platforms
 - Features to Look for in an Vw Polo 1997 Manual
 - User-Friendly Interface
4. Exploring eBook Recommendations from Vw Polo 1997 Manual
 - Personalized Recommendations
 - Vw Polo 1997 Manual User Reviews and Ratings

- Vw Polo 1997 Manual and Bestseller Lists
- 5. Accessing Vw Polo 1997 Manual Free and Paid eBooks
 - Vw Polo 1997 Manual Public Domain eBooks
 - Vw Polo 1997 Manual eBook Subscription Services
 - Vw Polo 1997 Manual Budget-Friendly Options
- 6. Navigating Vw Polo 1997 Manual eBook Formats
 - ePub, PDF, MOBI, and More
 - Vw Polo 1997 Manual Compatibility with Devices
 - Vw Polo 1997 Manual Enhanced eBook Features
- 7. Enhancing Your Reading Experience
 - Adjustable Fonts and Text Sizes of Vw Polo 1997 Manual
 - Highlighting and Note-Taking Vw Polo 1997 Manual
 - Interactive Elements Vw Polo 1997 Manual
- 8. Staying Engaged with Vw Polo 1997 Manual
 - Joining Online Reading Communities
 - Participating in Virtual Book Clubs
 - Following Authors and Publishers Vw Polo 1997 Manual
- 9. Balancing eBooks and Physical Books Vw Polo 1997 Manual
 - Benefits of a Digital Library
 - Creating a Diverse Reading Collection Vw Polo 1997 Manual
- 10. Overcoming Reading Challenges
 - Dealing with Digital Eye Strain
 - Minimizing Distractions
 - Managing Screen Time
- 11. Cultivating a Reading Routine Vw Polo 1997 Manual
 - Setting Reading Goals Vw Polo 1997 Manual
 - Carving Out Dedicated Reading Time
- 12. Sourcing Reliable Information of Vw Polo 1997 Manual
 - Fact-Checking eBook Content of Vw Polo 1997 Manual
 - Distinguishing Credible Sources

13. Promoting Lifelong Learning
 - Utilizing eBooks for Skill Development
 - Exploring Educational eBooks
14. Embracing eBook Trends
 - Integration of Multimedia Elements
 - Interactive and Gamified eBooks

Vw Polo 1997 Manual Introduction

In the digital age, access to information has become easier than ever before. The ability to download Vw Polo 1997 Manual has revolutionized the way we consume written content. Whether you are a student looking for course material, an avid reader searching for your next favorite book, or a professional seeking research papers, the option to download Vw Polo 1997 Manual has opened up a world of possibilities. Downloading Vw Polo 1997 Manual provides numerous advantages over physical copies of books and documents. Firstly, it is incredibly convenient. Gone are the days of carrying around heavy textbooks or bulky folders filled with papers. With the click of a button, you can gain immediate access to valuable resources on any device. This convenience allows for efficient studying, researching, and reading on the go. Moreover, the cost-effective nature of downloading Vw Polo 1997 Manual has democratized knowledge. Traditional books and academic journals can be expensive, making it difficult for individuals with limited financial resources to access information. By offering free PDF downloads, publishers and authors are enabling a wider audience to benefit from their work. This inclusivity promotes equal opportunities for learning and personal growth. There are numerous websites and platforms where individuals can download Vw Polo 1997 Manual. These websites range from academic databases offering research papers and journals to online libraries with an expansive collection of books from various genres. Many authors and publishers also upload their work to specific websites, granting readers access to their content without any charge. These platforms not only provide access to existing literature but also serve as an excellent platform for undiscovered authors to share their work with the world. However, it is essential to be cautious while downloading Vw Polo 1997 Manual. Some websites may offer pirated or illegally obtained copies of copyrighted material. Engaging in such activities not only violates copyright laws but also undermines the efforts of authors, publishers, and researchers. To ensure ethical downloading, it is advisable to utilize reputable websites that prioritize the legal distribution of content. When downloading Vw Polo 1997 Manual, users should also consider the potential security risks associated with online platforms. Malicious actors may exploit vulnerabilities in unprotected websites to distribute malware or steal personal information. To protect themselves, individuals should ensure their devices have reliable antivirus software installed and validate the legitimacy of the websites they are downloading from.

In conclusion, the ability to download Vw Polo 1997 Manual has transformed the way we access information. With the convenience, cost-effectiveness, and accessibility it offers, free PDF downloads have become a popular choice for students, researchers, and book lovers worldwide. However, it is crucial to engage in ethical downloading practices and prioritize personal security when utilizing online platforms. By doing so, individuals can make the most of the vast array of free PDF resources available and embark on a journey of continuous learning and intellectual growth.

FAQs About Vw Polo 1997 Manual Books

1. Where can I buy Vw Polo 1997 Manual books? Bookstores: Physical bookstores like Barnes & Noble, Waterstones, and independent local stores. Online Retailers: Amazon, Book Depository, and various online bookstores offer a wide range of books in physical and digital formats.
2. What are the different book formats available? Hardcover: Sturdy and durable, usually more expensive. Paperback: Cheaper, lighter, and more portable than hardcovers. E-books: Digital books available for e-readers like Kindle or software like Apple Books, Kindle, and Google Play Books.
3. How do I choose a Vw Polo 1997 Manual book to read? Genres: Consider the genre you enjoy (fiction, non-fiction, mystery, sci-fi, etc.). Recommendations: Ask friends, join book clubs, or explore online reviews and recommendations. Author: If you like a particular author, you might enjoy more of their work.
4. How do I take care of Vw Polo 1997 Manual books? Storage: Keep them away from direct sunlight and in a dry environment. Handling: Avoid folding pages, use bookmarks, and handle them with clean hands. Cleaning: Gently dust the covers and pages occasionally.
5. Can I borrow books without buying them? Public Libraries: Local libraries offer a wide range of books for borrowing. Book Swaps: Community book exchanges or online platforms where people exchange books.
6. How can I track my reading progress or manage my book collection? Book Tracking Apps: Goodreads, LibraryThing, and Book Catalogue are popular apps for tracking your reading progress and managing book collections. Spreadsheets: You can create your own spreadsheet to track books read, ratings, and other details.
7. What are Vw Polo 1997 Manual audiobooks, and where can I find them? Audiobooks: Audio recordings of books, perfect for listening while commuting or multitasking. Platforms: Audible, LibriVox, and Google Play Books offer a wide selection of audiobooks.
8. How do I support authors or the book industry? Buy Books: Purchase books from authors or independent bookstores.

Reviews: Leave reviews on platforms like Goodreads or Amazon. Promotion: Share your favorite books on social media or recommend them to friends.

9. Are there book clubs or reading communities I can join? Local Clubs: Check for local book clubs in libraries or community centers. Online Communities: Platforms like Goodreads have virtual book clubs and discussion groups.
10. Can I read Vw Polo 1997 Manual books for free? Public Domain Books: Many classic books are available for free as they're in the public domain. Free E-books: Some websites offer free e-books legally, like Project Gutenberg or Open Library.

Find Vw Polo 1997 Manual :

shigley39s mechanical engineering design solutions manual

sharp microwave convection oven repair

[shigeru ban cardboard cathedral](#)

shiloh comprehension questions by chapter

[shivani engineering guide](#)

shell operations test battery

shop manual for 2003 cavalier

sharp refrigerator manual book

~~ship model classification guidelines ship models by~~

[shine tolmachevvy sisters](#)

shop manual 3020 tractor

[she learns to kneel kathryn s training book 2](#)

shogun 2 battle guide

sharp mx 4140n 5140n service manual technical documentation

[sharp sd nx10 home theater systems owners manual](#)

Vw Polo 1997 Manual :

la ra c sistance des mata c riaux les principes e full pdf - Jul 03 2022

web la ra c sistance des mata c riaux les principes e privileged scaffolds in drug discovery histoire de nantes seconde édition avec dessins de m hawke the lara family current list of medical literature géométrie des courbes appliquée à l industrie à l

usage des artistes et des ouvriers leçons publiques etc

ra c sistance ma c canique des mata c riaux et de - Jan 29 2022

web 4 ra c sistance ma c canique des mata c riaux et de 2021 12 30 statutes and regulations is a challenging job real world examples and the author s hands on approach will help you visualize yourself on the job using the knowledge you have gained from this book to meet these challenges important notice media content referenced within the

muayene ruhsat ve rapor harcı nedir muayene dersimiz - Mar 31 2022

web muayene ruhsat ve rapor harcı terimi hakkında bilgiler belediyeçilik kamu yönetimi terimi olarak muayene ruhsat ve rapor harcı belediye gelirleri kanununa göre mevzuat gereğince alınması zorunlu veya isteğe bağlı görülen ve belediyeler veya onlara bağlı kuruluşlar tarafından düzenlenerek ilgisine verilecek muayene ve sağlıkla veya

ra c sistance des mata c riaux by said bensaada goodreads - Apr 12 2023

web ra c sistance des mata c riaux book read reviews from world s largest community for readers cet ouvrage traite les fondements de la resistance des mate

ra c sistance des mata c riaux tome 1 goodreads - Jan 09 2023

web date de l a c dition originale 1862 ce livre est la reproduction fida le d une oeuvre publica c e avant 1920 et fait partie d une collection de livres ra c imprima c s a la demande a c dita c e par hachette livre dans le cadre d un partenariat avec la bibliotha que nationale de france offrant l opportunita c d acca c der a des ouvrages

ra c sistance des mata c riaux propria c ta c s d - Mar 11 2023

web cet ouvrage pra c sente l ensemble des connaissances actuelles sur l appareillage du rachis outre les rappels indispensables sur la bioma c canique de la colonne verta c brale et des appareillages et les diffa c rents mata c riaux utiliza c s sont envisaga c es les donna c es pratiques sur l appareillage dans les diffa c rents pathologies ma

ra d sûresi 7 ayetin okunuşu ve anlamı 13 7 meali edize - Dec 28 2021

web ra d sûresindeki 7 ayetin türkçe ve arapça okunuşunu ayrıca 13 7 ayetinin mealini anlamını sayfamızda bulabilirsiniz

statique graphique ra c sistance des mata c riaux - Feb 27 2022

web statique graphique ra c sistance des mata c riaux 3 3 critique of the representative agent hypothesis if this hypothesis were correct the behaviour of the aggregate variable would simply be the reproduction of individual optimising behaviour in the methodology of the hard sciences one of the achievements

la ra c sistance des mata c riaux thomas sovik - Sep 05 2022

web if you aspire to download and install the la ra c sistance des mata c riaux it is completely simple then since currently we extend the member to buy and create bargains to download and install la ra c sistance des mata c riaux appropriately simple a guide to rotifers of the laurentian great lakes richard s stemberger 1979

ra c sistance des mata c riaux cours de l a0 00cole des - Dec 08 2022

web mar 26 2012 ra c sistance des mata c riaux book read reviews from world s largest community for readers ra c sistance des mata c riaux cours de l a0 00cole des po

ra c sistance des mata c riaux et structures pdf - Jun 14 2023

web 2 ra c sistance des mata c riaux et structures 2023 02 06 biological cultural physical and chemical means in order to minimize economic and environmental injury caused by such pests any comprehensive ipm programme requires an understanding of the ecological relationships between crops pests natural enemies and the environment

ra c sistance des mata c riaux et a la c ments de la tha c - Aug 16 2023

web ra c sistance des mata c riaux et a la c ments de la tha c orie matha c matique de l a lasticita c classic reprint by author august foeppl publishers forgotten books print format paperback

ra c sistance des mata c riaux par la pratique to - May 01 2022

web 4 ra c sistance des mata c riaux par la pratique to 2021 01 16 populations strains of enterobacteriaceae pose a major worldwide threat due to the geographical expansion of esbl producing clones as well as the horizontal interspecies dissemination of esbl encoding plasmids and genes in human medicine esbl e infection is associated with

la ra c sistance des mata c riaux les principes e - Jun 02 2022

web la ra c sistance des mata c riaux les principes e 1 la ra c sistance des mata c riaux les principes e as recognized adventure as competently as experience not quite lesson amusement as with ease as union can be gotten by just checking out a ebook la ra c sistance des mata c riaux les principes e as a consequence it is not directly

ra c sistance des mata c riaux par la pratique to pdf - Oct 06 2022

web ra c sistance des mata c riaux par la pratique to les finances de la société des nations dec 01 2021 rapports judiciaires révisés de la province de québec mar 04 2022 african yearbook of international law sep 17 2020 the african yearbook of international law provides an intellectual forum for the systematic analysis

ra c sistance des mata c riaux applica c e aux - May 13 2023

web ra c sistance des mata c riaux applica c e aux constructions vol 1 ma c thodes pratiques par le calcul et la statique graphique principes de statique graphique poutres droites et c by author ernest aragon publishers forgotten books

les cahiers de la ra c sistance des mata c riaux - Jul 15 2023

web cet ouvrage pra c sente l ensemble des connaissances actuelles sur l appareillage du rachis outre les rappels indispensables sur la bioma c canique de la colonne verta c brale et des appareillages et les diffa c rents mata c riaux utiliza c s sont envisaga c es les donna c es pratiques sur l appareillage dans les diffa c rents

la ra c sistance des mata c riaux vincent robin d arba - Feb 10 2023

uml res textiles a lusage des industriels na gociants directeurs employa s contre maa tres et des a la uml ves des a coles professionnelles et merciales par l bipper avec documents pratiques par e gilbert

bep carri res sanitaires et sociales matia res g copy - Oct 05 2022

web give bep carri res sanitaires et sociales matia res g and numerous ebook collections from fictions to scientific research in any way along with them is this bep carri res sanitaires et sociales matia res g that can be your partner sanctions in europe worldecr the journal of export controls and sanctions 2015 public sector shock daniel

bep carri res sanitaires et sociales matia res p uniport edu - Aug 03 2022

web bep carri res sanitaires et sociales matia res p 2 8 downloaded from uniport edu ng on april 16 2023 by guest amnesty international 2007 amnesty international 2006 hong kong stephen vines 1998 on july 1st 1997 china realized its long standing ambition of resuming sovereignty over hong kong now the communist chinese leadership are dealing

bep carrières sanitaires et sociales matières générales by - Mar 10 2023

web jun 19 2023 biologie humaine 2e professionnelle bep carri uml res sanitaires et sociales corrigna schnaps brennen rezepte fa frac14 r obstbra currende und ansatzschna curren pse schritt fa frac14 r schritt anleitungen passeport toutes les matia uml res de la 4e vers la 3e cahier de vacances biophase equilibration

bep carrières sanitaires et sociales matières générales et - Jul 02 2022

web aug 29 2023 passeport toutes les matia uml res de la 4e vers la 3e cahier de discourse reconstructingjudaism org 6 9 vacances online book library april 21st 2020 biologie nutrition alimentation t 1 cap petite enfance bep carri uml res sanitaires et sociales passeport toutes les matia uml res de la 3e a la 2de cahier de vacances oh oh

bep carrières sanitaires et sociales matières générales by - Feb 09 2023

web april 25th 2020 biologie humaine bep carri uml res sanitaires et sociales trata de filature et de tissage a tude des matia uml res textiles a lusage des industriels na gociants directeurs employa s contre maa tres et des a la uml ves des a coles professionnelles et merciales par l bipper avec documents pratiques par e gilbert leur

bep carrières sanitaires et sociales matières professionnelles - May 12 2023

web rentrée 2010 et ont concerné 17 759 galizaelectronica april 25th 2020 biologie humaine bep carri uml res sanitaires et sociales trata de filature et de tissage a tude des matia uml res textiles a lusage des industriels na gociants directeurs employa s contre maa tres et des a la uml ves des a coles professionnelles et

bep carrières sanitaires et sociales matières générales by - Jan 28 2022

web april 25th 2020 biologie humaine bep carri uml res sanitaires et sociales trata de filature et de tissage a tude des matia uml res textiles a lusage des industriels na gociants directeurs employa s contre maa tres et des a la uml ves des a coles professionnelles et merciales par l bipper avec documents pratiques par e gilbert

[bep carrières sanitaires et sociales matières professionnelles](#) - Dec 27 2021

web april 25th 2020 biologie humaine bep carria uml res sanitaires et sociales trata de filature et de tissage a tude des matia uml res textiles a lusage des industriels na gociants directeurs employa s contre maa tres et des a la uml ves des a coles professionnelles et merciales par l bipper avec documents pratiques par e gilbert

bep carrières sanitaires et sociales matières professionnelles - Jul 14 2023

web cet ouvrage vous permet de réviser le programme d enseignement professionnel du bep carrières sanitaires et sociales et de préparer les épreuves de validation les chapitres proposent des rappels de cours et des exercices d entraînement

bep carria res sanitaires et sociales matia res p copy - Aug 15 2023

web bep carria res sanitaires et sociales matia res p downloaded from analytics budgetbakers com by guest laylah hicks statistics springer this work presents a summary of research evidence on links between work health and disability across two sections it summarizes updated

bep carria res sanitaires et sociales matia res g pdf - Jun 13 2023

web bep carria res sanitaires et sociales matia res g 3 3 main topics the screening and characterizati on of hydrocarbons from air soil and water technologies in the biodegradatio n of hydrocarbons and the bioconversion of hydrocarbons for biofuel chemic als as well as recent developments in the remediation of hydrocarbons and their

bep carrières sanitaires et sociales matières professionnelles - Mar 30 2022

web april 25th 2020 biologie humaine bep carria uml res sanitaires et sociales trata de filature et de tissage a tude des matia uml res textiles a lusage des industriels na gociants directeurs employa s contre maa tres et des a la uml ves des a coles professionnelles et merciales par l bipper avec documents pratiques par e gilbert cfpf may 1st

[tc no 85 baŞarili baŞarisiz](#) - Nov 06 2022

web sira no tc no adı soyadı puanı sonuç 1 19 78 a l b İ 85 baŞarili 2 35 90 a z m l 73 baŞarili 3 49 52 e e a n 68 baŞarisiz 4 32 04 r

bep carria res sanitaires et sociales matia res p uniport edu - Sep 04 2022

web jul 12 2023 bep carria res sanitaires et sociales matia res p 2 8 downloaded from uniport edu ng on july 12 2023 by guest education and in the history if economic thought in general as well as all those interested in the evolution of oxford and cambridge youth work council of europe 2017 10 01 this recommendation applies to youth work in all its diversity

[conta saldada infantil e xuvenil fora de xogo e b david paul](#) - Feb 09 2023

web conta saldada infantil e xuvenil fora de xogo e b this is likewise one of the factors by obtaining the soft documents of this conta saldada infantil e xuvenil fora de xogo e b by online you might not require more mature to spend to go to the books foundation as with ease as search for them in some cases you likewise do not discover the

[conta saldada infantil e xuvenil fora de xogo e b download](#) - Jan 08 2023

web conta saldada infantil e xuvenil fora de xogo e b reviewing conta saldada infantil e xuvenil fora de xogo e b unlocking the spellbinding force of linguistics in a fast paced world fueled by information and interconnectivity the spellbinding force of linguistics has acquired newfound prominence

conta saldada infantil e xuvenil fora de xogo e b pdf - Jul 02 2022

web jan 21 2023 pronouncement conta saldada infantil e xuvenil fora de xogo e b that you are looking for it will definitely squander the time however below subsequently you visit this web page it will be as a result no question easy to acquire as well as download lead conta saldada infantil e xuvenil fora de xogo e b it will not tolerate many time as we

conta saldada infantil e xuvenil fora de xogo e b pdf lygia - Aug 15 2023

web jul 15 2023 of our books like this one merely said the conta saldada infantil e xuvenil fora de xogo e b pdf is universally compatible like any devices to read madness and civilization michel foucault 2013 01 30 michel foucault examines the archeology of madness in the west from 1500 to 1800 from the late middle ages when insanity was

[conta saldada infantil e xuvenil fora de xogo pdf kelliemay](#) - Oct 05 2022

web nov 24 2022 conta saldada infantil e xuvenil fora de xogo 1 9 downloaded from kelliemay com on november 24 2022 by guest conta saldada infantil e xuvenil fora de xogo yeah reviewing a books conta saldada infantil e xuvenil fora de xogo could build up your close friends listings this is just one of the solutions for you to be successful

download conta saldada infantil e xuvenil fóra de xogo de suso de - Jun 13 2023

web apr 30 2021 conta saldada infantil e xuvenil fóra de xogo e book conta saldada infantil e xuvenil fóra de xogo e book galician edition ebook de toro suso tienda kindle

conta saldada infantil e xuvenil fora de xogo e b pdf johann - Dec 07 2022

web jun 13 2023 conta saldada infantil e xuvenil fora de xogo e b pdf right here we have countless books conta saldada infantil e xuvenil fora de xogo e b pdf and collections to check out we additionally have the funds for variant types and as well as type of the books to browse the all right book fiction history novel

[conta saldada infantil e xuvenil fora de xogo book](#) - Nov 06 2022

web aug 3 2023 conta saldada infantil e xuvenil fora de xogo book review unveiling the magic of language in a digital era where connections and knowledge reign supreme the enchanting power of language has become more apparent than ever

conta saldada infantil e xuvenil fóra de xogo e - Mar 10 2023

web conta saldada infantil e xuvenil fóra de xogo e book galician edition versión kindle catuxa fala co fantasma do seu pai despois de que morrera no despacho da súa xestoría probablemente asasinado por

[conta saldada infantil e xuvenil fora de xogo e b johann](#) - May 12 2023

web this conta saldada infantil e xuvenil fora de xogo e b but end up in harmful downloads rather than enjoying a good ebook as soon as a cup of coffee in the afternoon instead they juggled past some harmful virus inside their computer conta saldada infantil e xuvenil fora de xogo e b is welcoming in our digital library an online

[conta saldada infantil e xuvenil fora de xogo e b copy](#) - Apr 30 2022

web apr 29 2023 saldada infantil e xuvenil fora de xogo e b below the companions lygia bojunga nunes 1989 out in the world alone three animals a rabbit a bear and a dog find one another learn a lesson in independence and discover the

conta saldada infantil e xuvenil fora de xogo e b copy - Aug 03 2022

web jun 8 2023 conta saldada infantil e xuvenil fora de xogo e b by online you might not require more period to spend to go to the books inauguration as competently as search for them in some cases you likewise realize not discover the revelation conta saldada infantil e xuvenil fora de xogo e b that you are looking for it will completely squander the time

sss yardım game sultan - Jun 01 2022

web game sultan değerli kullanıcılarının hesap numaralarımıza para yatırdıklarında karşılığı olarak aldıkları para birimidir Örnek 1 tl 1 g cash tir g cash ile sitedeki tüm oyunlar için e pin alışverişi yapabileceksiniz

egyesületi tagdíj mennyit fizet a szülő mit kap érte a gyerek - Jan 28 2022

web nov 6 2017 a tagdíjat azért tartják fontosnak hogy a szülők is érezzék részesek a gyerek sportolásában kedvezmény persze jár ugyanabból a családból érkező több gyermek vagy nehéz anyagi helyzet esetén továbbá kis klubról lévén szó a taótámogatáshoz ez biztosítja az önrészt a soproni darazsak akadémián a tao

[conta saldada infantil e xuvenil fora de xogo e b american](#) - Jul 14 2023

web conta saldada infantil e xuvenil fora de xogo e b is available in our digital library an online access to it is set as public so you can download it instantly our books collection saves in multiple locations allowing you to get the most less latency time to download any of our books like this one

conta saldada infantil e xuvenil fÓra de xogo - Apr 11 2023

web conta saldada infantil e xuvenil fÓra de xogo de toro suso amazon es libros

[bankid for ungdom bankid dagligbank fra a til Å dnb](#) - Feb 26 2022

web ungdommen må være registrert med pass eller nasjonalt id kort i våre systemer for å få bankid for ungdom hvis vi ikke har registrert passet eller det nasjonale id kortet tidligere kan det gjøres ved at ungdommen møter opp på et av våre bankkontor det må bestilles time ved bankkontor ungdommen må også ha konto i dnb for å få

[saldi giocattoli archives saldi privati outlet](#) - Dec 27 2021

web saldi eureka kids per bambini che devono avere il meglio qui trovi nel mondo di internet e della rete tutti prodotti di marca preferiti e di grido per kids a prezzi davvero unici ed eccezionali le offerte per il sito che mostreremo volano fino a 50

e sono convenientissime rispetto a quelli degli altri negozi reali sotto l'angolo di

conta saldada infantil e xuvenil fora de xogo e b copy - Mar 30 2022

web apr 10 2023 conta saldada infantil e xuvenil fora de xogo e b 1 9 downloaded from uniport.edu.ng on april 10 2023 by

guest conta saldada infantil e xuvenil fora de xogo e b this is likewise one of the factors by obtaining the soft documents of

this conta saldada infantil e xuvenil fora de xogo e b by online you might not

conta saldada infantil e xuvenil fora de xogo e b pdf - Sep 04 2022

web conta saldada infantil e xuvenil fora de xogo e b whispering the strategies of language an psychological journey through

conta saldada infantil e xuvenil fora de xogo e b in a digitally driven world where screens reign supreme and quick

interaction drowns out the subtleties