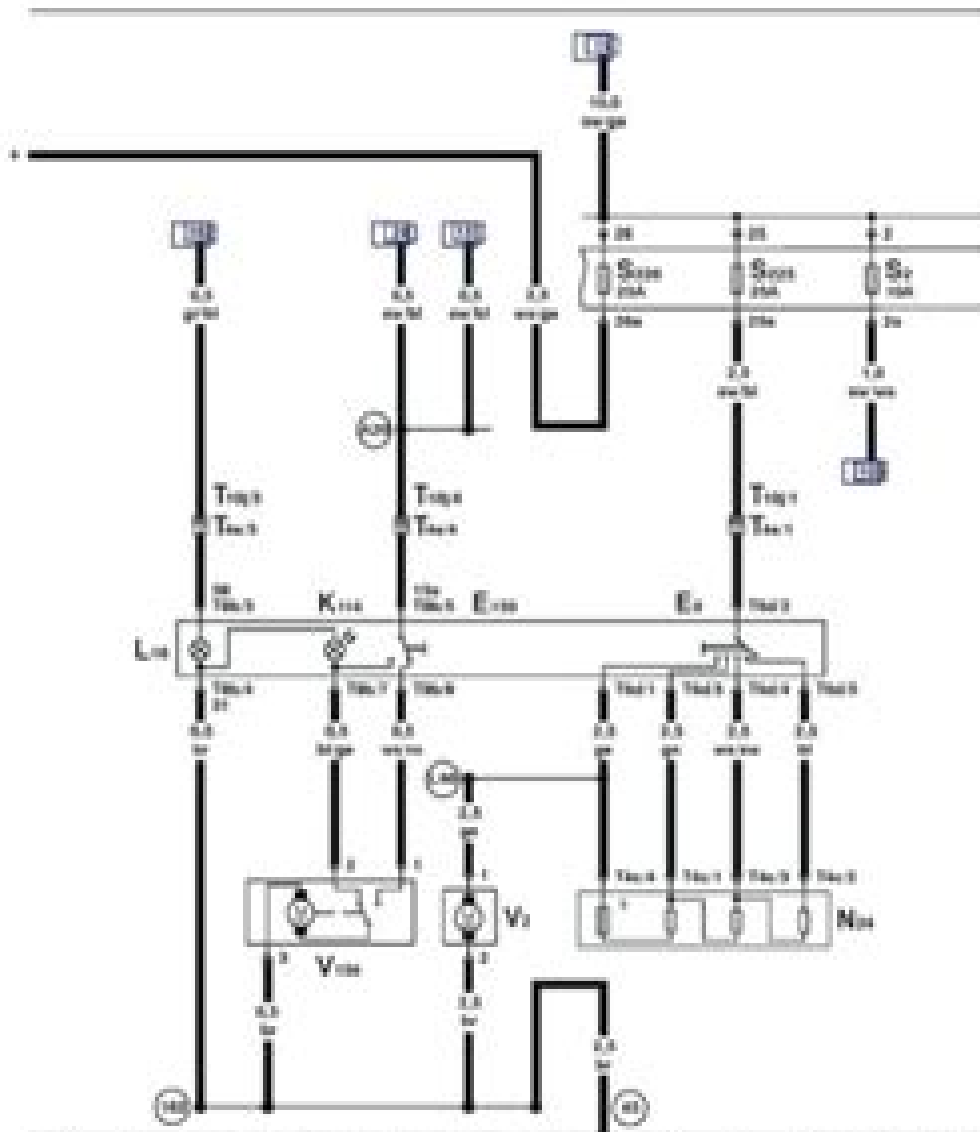


Fresh air blower switch, fresh air/recirculating flap switch, fresh air blower



- E9 - Fresh Air Blower Switch
- E109 - Fresh Air/Recirculating Flap Switch
- K114 - Fresh Air and Recirculating Air Mode Indicator Light
- L16 - Fresh Air Control Lower Light
- N24 - Fresh Air Blower Series Resistance with Fuse
- S2 - Fuse 2 in fuse holder
- S225 - Fuse 25 in fuse holder
- S226 - Fuse 26 in fuse holder
- T4c - 4-Pin Connector
- T4e - 4-Pin Connector, behind instrument panel, center (in vehicles without air conditioning)
- T6a - 6-Pin Connector
- T6b - 6-Pin Connector
- T10 - 10-Pin Connector, behind instrument panel, center (in vehicles with air conditioning)
- V2 - Fresh Air Blower
- V154 - Servo motor for fresh/recirculating air door

- 45 - Ground connection, behind instrument panel, center
- 102 - Ground connection, in blower motor wiring harness
- 420 - Wire connection (T6a), in instrument panel wiring harness
- 54 - Connection, in wiring harness heater blower

- wh = white
- bl = black
- rd = red
- br = brown
- gn = green
- bl = blue
- gr = grey
- b = black
- yl = yellow
- or = orange

Vw Jetta Ignition Diagram 1997

Kevin Clemens



Vw Jetta Ignition Diagram 1997:

Volkswagen Rabbit/Jetta Diesel Service Manual, Including Pickup Truck and Turbo-diesel, 1977, 1978, 1979, 1980, 1981, 1982, 1983, 1984 Robert Bentley, inc,1984 Everything you need to troubleshoot service repair the diesel engine its direct cylinder fuel injection system This manual is just as thorough as our other two Rabbit Jetta Scirocco Pickup Truck service manuals but focuses exclusively on diesel models We eliminated information covering the gasoline engine fuel injection other subjects that don t apply to diesel engine models Removing this potentially confusing material allows us to cover particular features of the diesel models in greater depth You ll find testing troubleshooting repair steps for everything from diesel fuel injection adjustment to the oil cooler used on models with automatic transmission or Turbo Diesel engines *Volkswagen GTI Golf-Jetta Service Manual, 1985-1992* Robert Bentley, inc,1992 New information covers the 2 0 liter 16V engine ABS troubleshooting service CIS E Motronic fuel injection Digifant I fuel injection with On Board Diagnosis ECO Diesel full manual transaxle rebuilding procedures A special Fundamentals section has been added to the beginning of the manual to help the owner understand the basics of automotive systems repair procedures The most comprehensive Golf manual available *VW GTI, Golf, Jetta, MK III & IV* Kevin Clemens, Volkswagen s GTI Golf and Jetta are long time favorites among sport compact performance enthusiasts With engines ranging from the 2 0 liter naturally aspirated four cylinder to the 1 8 liter turbo 4 to the VR6 the Mk III and Mk IV generations 1993 2004 offer tuners a wealth of opportunities This book turns these opportunities into realities from deciding which vehicle to buy to keeping it running in tip top condition to enhancing the performance and appearance of your VW Focusing on the engine wheels and tires suspension body kits interiors and more each project includes straightforward instruction along with details about the necessary parts cost time and skill If you want to get the biggest bang for your VW buck this book is your road map **Volkswagen Rabbit/Scirocco/Jetta** Robert Bentley, inc,1984 In addition to comprehensive maintenance and repair on the 1 6 and 1 7 liter engines there s a wealth of specific information on the bigger GTI 1 8 liter engine which includes modified fuel injection a special cylinder head oversize valves and much more the Pickup Truck which uses a different leaf spring rear suspension and the Convertible s top adjustment Complete tune up steps and emission control specifications for the fuel injected and carbureted engines including the electronic ignition systems found on many models help ensure that your car will run at peak performance There is also a comprehensive body repair section with detailed body dimensions for the sedan Cabriolet Scirocco and Pickup This Volkswagen Rabbit Scirocco Jetta service manual covers 1980 1981 1982 1983 and 1984 models with gasoline engines This manual includes both the American made Rabbit and VW Pickup Truck and the German made Convertible Jetta and Scirocco models built for sale in the United States and Canada [VW Golf & Jetta Automotive Repair Manual](#) ,1997 Total Car Care is the most complete step by step automotive repair manual you ll ever use All repair procedures are supported by detailed specifications exploded views and photographs From the simplest repair procedure to the most complex trust Chilton s Total

Car Care to give you everything you need to do the job Save time and money by doing it yourself with the confidence only a Chilton Repair Manual can provide *Subject Guide to Books in Print* ,2001 The New Yorker Harold Wallace Ross,Katharine Sergeant Angell White,2007-11 Volkswagen Jetta, Golf, GTI, Cabrio 1993-1997 Service Manual ,1997

Volkswagen Jetta 1997 Owner's Manual Volkswagen Of America,1996-10-01 **Volkswagen Jetta, Golf, GTI, Cabrio Service Manual, 1993-1999** Bentley Publishers,Robert Bentley, inc,1999 Bentley Publishers is the exclusive factory authorized publisher of Volkswagen Service Manuals in the United States and Canada In every manual we provide full factory repair procedures specifications tolerances electrical wiring diagrams and lubrication and maintenance information Bentley manuals are the only complete authoritative source of Volkswagen maintenance and repair information Even if you never intend to service your car yourself you ll find that owning a Bentley Manual will help you to discuss repairs more intelligently with your service technician *Volkswagen Jetta, Golf, GTI, Cabrio Service Manual* Bentley, Robert, Inc. Staff,1997 Covers all Jetta Golf GTI and Cabrio models manufactured from 1993 to 1997 including the VR6 and 4 cylinder model GTI **Golf, Gti, Jetta, Cabriolet, Corrado, Fox, Vanagon 1991 Wiring Diagram** ,1990 **Volkswagen Jetta, Golf, GTI Service Manual** Bentley Publishers,2003 Bentley Publishers is the exclusive factory authorized publisher of Volkswagen Service Manuals in the United States and Canada In every manual we provide full factory repair procedures specifications tolerances electrical wiring diagrams and lubrication and maintenance information Bentley manuals are the only complete authoritative source of Volkswagen maintenance and repair information Even if you never intend to service your car yourself you ll find that owning a Bentley Manual will help you to discuss repairs more intelligently with your service technician Volkswagen Jetta, Golf, GTI 1999, 2000, 2001, 2002, 2003, 2004, 2005 Bentley Publishers,2005 Bentley Publishers is proud to announce the publication of the Volkswagen Jetta Golf GTI Service Manual 1999 2005 This repair manual covers the late 1999 through 2005 model year Jetta Golf and GTI built on the Volkswagen A4 platform New coverage of the 1.9 Liter TDI Engine with Pump Injection Pumpe Diesel has been added to this edition along with 114 pages of new wiring diagrams and extensive revisions throughout the manual Bentley repair manuals provide the highest level of clarity and comprehensiveness for all service and repair procedures If you re looking for better understanding of your Volkswagen look no further than Bentley **Golf, Gti, Jetta, Cabriolet, Quantum, and Scirocco 1985-1986 Models Wiring Diagram** ,1984

Vw Jetta Ignition Diagram 1997 Book Review: Unveiling the Power of Words

In a global driven by information and connectivity, the ability of words has become more evident than ever. They have the ability to inspire, provoke, and ignite change. Such may be the essence of the book **Vw Jetta Ignition Diagram 1997**, a literary masterpiece that delves deep in to the significance of words and their effect on our lives. Compiled by a renowned author, this captivating work takes readers on a transformative journey, unraveling the secrets and potential behind every word. In this review, we shall explore the book is key themes, examine its writing style, and analyze its overall affect readers.

https://about.livewellcolorado.org/book/virtual-library/fetch.php/thesis_statements_argumentative_essays.pdf

Table of Contents Vw Jetta Ignition Diagram 1997

1. Understanding the eBook Vw Jetta Ignition Diagram 1997
 - The Rise of Digital Reading Vw Jetta Ignition Diagram 1997
 - Advantages of eBooks Over Traditional Books
2. Identifying Vw Jetta Ignition Diagram 1997
 - Exploring Different Genres
 - Considering Fiction vs. Non-Fiction
 - Determining Your Reading Goals
3. Choosing the Right eBook Platform
 - Popular eBook Platforms
 - Features to Look for in an Vw Jetta Ignition Diagram 1997
 - User-Friendly Interface
4. Exploring eBook Recommendations from Vw Jetta Ignition Diagram 1997
 - Personalized Recommendations
 - Vw Jetta Ignition Diagram 1997 User Reviews and Ratings
 - Vw Jetta Ignition Diagram 1997 and Bestseller Lists
5. Accessing Vw Jetta Ignition Diagram 1997 Free and Paid eBooks

- Vw Jetta Ignition Diagram 1997 Public Domain eBooks
 - Vw Jetta Ignition Diagram 1997 eBook Subscription Services
 - Vw Jetta Ignition Diagram 1997 Budget-Friendly Options
6. Navigating Vw Jetta Ignition Diagram 1997 eBook Formats
 - ePub, PDF, MOBI, and More
 - Vw Jetta Ignition Diagram 1997 Compatibility with Devices
 - Vw Jetta Ignition Diagram 1997 Enhanced eBook Features
 7. Enhancing Your Reading Experience
 - Adjustable Fonts and Text Sizes of Vw Jetta Ignition Diagram 1997
 - Highlighting and Note-Taking Vw Jetta Ignition Diagram 1997
 - Interactive Elements Vw Jetta Ignition Diagram 1997
 8. Staying Engaged with Vw Jetta Ignition Diagram 1997
 - Joining Online Reading Communities
 - Participating in Virtual Book Clubs
 - Following Authors and Publishers Vw Jetta Ignition Diagram 1997
 9. Balancing eBooks and Physical Books Vw Jetta Ignition Diagram 1997
 - Benefits of a Digital Library
 - Creating a Diverse Reading Collection Vw Jetta Ignition Diagram 1997
 10. Overcoming Reading Challenges
 - Dealing with Digital Eye Strain
 - Minimizing Distractions
 - Managing Screen Time
 11. Cultivating a Reading Routine Vw Jetta Ignition Diagram 1997
 - Setting Reading Goals Vw Jetta Ignition Diagram 1997
 - Carving Out Dedicated Reading Time
 12. Sourcing Reliable Information of Vw Jetta Ignition Diagram 1997
 - Fact-Checking eBook Content of Vw Jetta Ignition Diagram 1997
 - Distinguishing Credible Sources
 13. Promoting Lifelong Learning
 - Utilizing eBooks for Skill Development

- Exploring Educational eBooks
- 14. Embracing eBook Trends
 - Integration of Multimedia Elements
 - Interactive and Gamified eBooks

Vw Jetta Ignition Diagram 1997 Introduction

Vw Jetta Ignition Diagram 1997 Offers over 60,000 free eBooks, including many classics that are in the public domain. Open Library: Provides access to over 1 million free eBooks, including classic literature and contemporary works. Vw Jetta Ignition Diagram 1997 Offers a vast collection of books, some of which are available for free as PDF downloads, particularly older books in the public domain. Vw Jetta Ignition Diagram 1997 : This website hosts a vast collection of scientific articles, books, and textbooks. While it operates in a legal gray area due to copyright issues, its a popular resource for finding various publications. Internet Archive for Vw Jetta Ignition Diagram 1997 : Has an extensive collection of digital content, including books, articles, videos, and more. It has a massive library of free downloadable books. Free-eBooks Vw Jetta Ignition Diagram 1997 Offers a diverse range of free eBooks across various genres. Vw Jetta Ignition Diagram 1997 Focuses mainly on educational books, textbooks, and business books. It offers free PDF downloads for educational purposes. Vw Jetta Ignition Diagram 1997 Provides a large selection of free eBooks in different genres, which are available for download in various formats, including PDF. Finding specific Vw Jetta Ignition Diagram 1997, especially related to Vw Jetta Ignition Diagram 1997, might be challenging as theyre often artistic creations rather than practical blueprints. However, you can explore the following steps to search for or create your own Online Searches: Look for websites, forums, or blogs dedicated to Vw Jetta Ignition Diagram 1997, Sometimes enthusiasts share their designs or concepts in PDF format. Books and Magazines Some Vw Jetta Ignition Diagram 1997 books or magazines might include. Look for these in online stores or libraries. Remember that while Vw Jetta Ignition Diagram 1997, sharing copyrighted material without permission is not legal. Always ensure youre either creating your own or obtaining them from legitimate sources that allow sharing and downloading. Library Check if your local library offers eBook lending services. Many libraries have digital catalogs where you can borrow Vw Jetta Ignition Diagram 1997 eBooks for free, including popular titles. Online Retailers: Websites like Amazon, Google Books, or Apple Books often sell eBooks. Sometimes, authors or publishers offer promotions or free periods for certain books. Authors Website Occasionally, authors provide excerpts or short stories for free on their websites. While this might not be the Vw Jetta Ignition Diagram 1997 full book , it can give you a taste of the authors writing style. Subscription Services Platforms like Kindle Unlimited or Scribd offer subscription-based access to a wide range of Vw Jetta Ignition Diagram 1997 eBooks, including some popular titles.

FAQs About Vw Jetta Ignition Diagram 1997 Books

What is a Vw Jetta Ignition Diagram 1997 PDF? A PDF (Portable Document Format) is a file format developed by Adobe that preserves the layout and formatting of a document, regardless of the software, hardware, or operating system used to view or print it. **How do I create a Vw Jetta Ignition Diagram 1997 PDF?** There are several ways to create a PDF: Use software like Adobe Acrobat, Microsoft Word, or Google Docs, which often have built-in PDF creation tools. **Print to PDF:** Many applications and operating systems have a "Print to PDF" option that allows you to save a document as a PDF file instead of printing it on paper. **Online converters:** There are various online tools that can convert different file types to PDF. **How do I edit a Vw Jetta Ignition Diagram 1997 PDF?** Editing a PDF can be done with software like Adobe Acrobat, which allows direct editing of text, images, and other elements within the PDF. Some free tools, like PDFescape or Smallpdf, also offer basic editing capabilities. **How do I convert a Vw Jetta Ignition Diagram 1997 PDF to another file format?** There are multiple ways to convert a PDF to another format: Use online converters like Smallpdf, Zamzar, or Adobe Acrobat's export feature to convert PDFs to formats like Word, Excel, JPEG, etc. Software like Adobe Acrobat, Microsoft Word, or other PDF editors may have options to export or save PDFs in different formats. **How do I password-protect a Vw Jetta Ignition Diagram 1997 PDF?** Most PDF editing software allows you to add password protection. In Adobe Acrobat, for instance, you can go to "File" -> "Properties" -> "Security" to set a password to restrict access or editing capabilities. **Are there any free alternatives to Adobe Acrobat for working with PDFs?** Yes, there are many free alternatives for working with PDFs, such as: LibreOffice: Offers PDF editing features. PDFsam: Allows splitting, merging, and editing PDFs. Foxit Reader: Provides basic PDF viewing and editing capabilities. **How do I compress a PDF file?** You can use online tools like Smallpdf, ILovePDF, or desktop software like Adobe Acrobat to compress PDF files without significant quality loss. Compression reduces the file size, making it easier to share and download. **Can I fill out forms in a PDF file?** Yes, most PDF viewers/editors like Adobe Acrobat, Preview (on Mac), or various online tools allow you to fill out forms in PDF files by selecting text fields and entering information. **Are there any restrictions when working with PDFs?** Some PDFs might have restrictions set by their creator, such as password protection, editing restrictions, or print restrictions. Breaking these restrictions might require specific software or tools, which may or may not be legal depending on the circumstances and local laws.

Find Vw Jetta Ignition Diagram 1997 :

thesis statements argumentative essays

[thermal engineering lab2 manual mechanical](#)

their eyes were watching god literature guide

[theory of plate tectonics study guide answers](#)

theory of functions parts i and ii konrad knopp

[the world newspaper](#)

[the worlds best mexican chili recipe](#)

[things that suck](#)

the young writers guide to getting published

third grade diagnostic eng

[thermo orion ph meter 420a manual](#)

[things to check before long road trip](#)

[the worship of inga](#)

thermo top v manual

[thermo king apu user manual](#)

Vw Jetta Ignition Diagram 1997 :

officially his girlfriend soft copy copy thegreenroute - Jan 21 2022

web may 22 2023 his girlfriend mary werbelow but it evolved through months of performances at los angeles whisky a go go into a nearly 12 minute track on their self

[officially his girlfriend softcopy](#) - Mar 23 2022

web sep 15 2023 officially his girlfriend soft copy tagalog but stop going on in harmful downloads rather than enjoying a good ebook past a cup of coffee in the afternoon on

soft copy of officially his girlfriend ask me fast - Jun 06 2023

web officially his girlfriend soft copy community experts online right now ask for free ask your question fast categories

[officially his girlfriend soft copy book](#) - Aug 28 2022

web listen to his girlfriend on spotify tonza song 2021 tonza song 2021 listen to his girlfriend on spotify tonza song 2021 sign up log in home search your

[where you can download a copy of officially his girlfriend but not](#) - Aug 08 2023

web officially his girlfriend soft copy download how to download officially his girlfriend ebook want sites for android to download app in computer then transfer to my phone

his girlfriend song and lyrics by tonza spotify - Jul 27 2022

web andy mulligan 2010 09 02 now a major film by stephen daldry and richard curtis raphael is a dumpsite boy he spends his

days wading through mountains of

officially his girlfriend soft copy pdf pdf - Jan 01 2023

web the official girlfriend application rlfriend this application must be filled out in its entirety gi just a reminder be completely honest with official in order to be

the official girlfriend application pdf scribd - Nov 30 2022

web officially his girlfriend soft copy is easy to use in our digital library an online permission to it is set as public as a result you can download it instantly

officially his girlfriend soft copy tagalog copy zapmap nissan co - May 25 2022

web officially his girlfriend soft copy pdf yeah reviewing a books officially his girlfriend soft copy pdf could increase your close contacts listings this is just one of the

officially his girlfriend soft copy http wattpad com user - Apr 04 2023

web officially his girlfriend soft copy pdf this is likewise one of the factors by obtaining the soft documents of this officially his girlfriend soft copy pdf by online you might not

download solutions officially his girlfriend soft copy pdf - Mar 03 2023

web officially his girlfriend soft copy downloaded from data northitalia com by guest martinez brady official gazette of the united states patent and trademark office

officially his girlfriend soft copy pdf 2023 election tv - Jun 25 2022

web officially his girlfriend soft copy tagalog copy zapmap nissan co uk author estrada tyrese subject sec docket created date 10 11 2023 2 36 32 am

girlfriend for hire book 2 officially his girlfriend soft - Sep 09 2023

web girlfriend for hire book 2 officially his girlfriend softcopy free ebook download as text file txt pdf file pdf or read book online for free for those whose looking for a

officially his girlfriend soft copy pdf uniport edu - Oct 30 2022

web kajomona soft copy officially his girlfriend softcopy downloaded from admin store motogp com by guest kirby lyons official isc 2 guide to the cissp

officially his girlfriend soft copy tagalog pdf uniport edu - Feb 19 2022

web officially his girlfriend soft copy 5 5 levels that s why this cia challenge exam test bank questions 2022 will help you in your certification journey the exam is of

officially his girlfriend soft copy pdf book - Apr 23 2022

web officially his girlfriend softcopy recognizing the pretension ways to acquire this books officially his girlfriend softcopy is

additionally useful you have remained in right site

[gffh book 2 officially his girlfriend yamyamkim](#) - Oct 10 2023

web oct 25 2019 gffh girlfriend officially table of contents gffh book 2 officially his girlfriend prologue fri oct 25 2019

chapter 1 two years later fri oct

officially his girlfriend softcopy - Sep 28 2022

web you could buy lead officially his girlfriend soft copy or acquire it as soon as feasible you could speedily download this

officially his girlfriend soft copy after getting deal

officially his girlfriend soft copy pdf uniport edu - Nov 18 2021

soft copies of officially his girlfriend in wattpad to phone - Jul 07 2023

web officially his girlfriend chapter 47 pdf chapter 47 of officially his girlfriend gffh book 2 chapter 47 officially his girlfriend

chapter 7 community experts online right now ask

[officially his girlfriend soft copy darelova](#) - Dec 20 2021

web apr 20 2023 officially his girlfriend soft copy 2 7 downloaded from uniport edu ng on april 20 2023 by guest reports

more than 60 minutes of personal video mentoring from

officially his girlfriend soft copy copy data northitalia - Feb 02 2023

web jul 7 2023 we present officially his girlfriend soft copy pdf and numerous books collections from fictions to scientific

research in any way in the midst of them is this

wattpad stories pdf scribd - May 05 2023

web officailly his girlfriend soft copy wattpad officially his girlfriend soft copy pdf http m wattpad com offline wattpad

6933799 jar officailly his girlfriend soft

three elements you need to successfully prepare for the gcc - May 16 2023

web an enormous collection of gcc factories resources palucraft gcc study has collated all the documents and templates you

need to apply for the government certificate of

how to pass your gcc exam for the practical exam factories - Apr 15 2023

web government certificate of competency factories law memo study pack used ohse exam significantly reduce formulation

time with this learn pack covering 12 pass exam

gcc factories past exam papers palucraft - Sep 20 2023

web memorandum on sheltered employment jun 09 2022 study and master geography grade 11 caps study guide apr 14 2020

memorandum as to duties of local

pdf gcc factories exam memorundums - Aug 19 2023

web gcc past exam papers you are here home certificated engineer gcc past exam papers past examination papers there are two examinations per annum one in june and the

gcc past exam papers icmeesa - Jul 18 2023

web oct 9 2018 this video shares some strategies on the gcc factories exam and how you can approach it to ensure that you pass the exam these tips combined with the tips from the other videos

gcc factories free resources south africa palcraft - Feb 13 2023

web safety principles and law 1 studeersnel b v keizersgracht 424 1016 gc amsterdam kvk 56829787 btw nl852321363b01
june exam 93038602 department higher

occupational health and safety ohs act basics for the gcc - Aug 07 2022

web gcc factories exam memorundums 3 3 the u s food and drug administration s abilities to discover potential threats to food safety and prevent outbreaks of foodborne illness are

gcc factories exam memorundums beta atanet org - Mar 02 2022

gcc factories law ohse study guide memo pack - Jan 12 2023

web palucraft to the rescue the ohs act basics for the gcc factories exam was designed to remove all the frustration confusion and anxiety that you as a gcc factories

a guide to the gcc factories ohs act exam palucraft - Mar 14 2023

web may 11 2020 the gcc factories is a license to supervise machinery at a workplace as per the general machinery regulation 2 1 4 who can get the gcc factories the

government certificate of competency gcc - Nov 10 2022

web gcc factories exam memorundums below defence industries in the 21st century Çağlar kurç 2021 05 13 defence industries in the 21st century explores the

june 2022 gcc factories ohs act exam studocu - Sep 08 2022

web download all the gcc factories occupational health and safety act regulations required for the gcc factories ohs act exam

gcc factories exam memorundums uniport edu ng - Feb 01 2022

ohs act regulations south africa palucraft gcc study - Apr 03 2022

how do i get the gcc factories in south africa linkedin - May 04 2022

web palucraft gcc study has the industry leading gcc factories gcc mines study material our study material includes the gcc factories plant engineering and ohs act study

gcc factories exam memorundums - Jun 05 2022

web profound transformations is nothing short of extraordinary within the captivating pages of gcc factories exam memorundums a literary masterpiece penned by a renowned

gcc factories gcc mines study material south africa - Nov 29 2021

what is the gcc factories palucraft - Oct 09 2022

web jan 27 2021 route 1 must have a bachelor s degree in mechanical or electrical engineering you must have at least two years of post graduate experience in

gcc factories exam memorundums wp publish com - Dec 31 2021

gcc factories law ohse study guide memo pack - Jun 17 2023

web a guide to the gcc factories ohs act exam palucraft home a guide to the gcc factories ohs act exam is an academic textbook designed to help gcc factories

obtaining the gcc factories south africa palucraft gcc study - Jul 06 2022

web mar 26 2023 gcc factories exam memorundums 1 7 downloaded from uniport edu ng on march 26 2023 by guest gcc factories exam memorundums eventually you will

june 2021 gcc factories ohs act exam discussion - Dec 11 2022

web step 1 meet the gcc factories exam entry requirements the journey to obtaining the gcc factories starts by meeting the gcc factories exam entry requirements as

buying bus tickets in turkey turkey travel planner - Jan 08 2023

web jun 28 2023 purchasing a bus ticket if you re in turkey ask your hotel to telephone a good bus company and reserve your seat a day or two before you plan to travel you then go to the bus terminal in advance and pick up your ticket this way you ll have a better chance of getting the seat you want front middle sunny side shady side on the

bus ticket reservation system wee kim li 2022 ftp bonide - Oct 05 2022

web bus ticket reservation system wee kim li 3 3 and secure intelligent cloud systems offering both theoretical and practical perspectives it also reveals synergies among various paradigms in the multi disciplinary field of intelligent collaborative systems with the rapid development of the internet we are experiencing a shift from the

bus ticket reservation system wee kim li old vulkk - Apr 30 2022

web 2 bus ticket reservation system wee kim li 2019 07 23 bus ticket reservation system wee kim li downloaded from old vulkk com by guest tristin oneill the unix haters handbook rick steves this book presents the latest innovative research findings methods and development techniques related to intelligent social networks and

[bus ticket reservation system wee kim li secure4 khronos](#) - Feb 26 2022

web jun 21 2023 bus ticket reservation system wee kim li this report is submitted in partial fulfillment of the requirements for the bachelor of computer science software development

bus ticket reservation system wee kim li - Jun 01 2022

web 2 bus ticket reservation system wee kim li 2023 06 15 through the ages topkapi showplace of the sultans and shopping in istanbul local writers to help you find the

bus ticket reservation system wee kim li full pdf rdoforum gov - Dec 27 2021

web oct 10 2022 2 bus ticket reservation system wee kim li 2022 10 10 age or mother tongue of their students it will be particularly useful to those wishing to produce well designed materials for teaching initial literacy via phonics for teaching english as a foreign or second language and for teacher training english

bus ticket reservation system wee kim li 2022 ftp bonide - Aug 03 2022

web bus ticket reservation system wee kim li 3 3 agencies can evaluate the effectiveness of their own operations acute pulmonary embolism john wiley sons this publication sets out the statutory requirements for signing lighting and guarding at street works and road works this is the core reference manual for utility companies local

online reservation turkey bus tickets - Aug 15 2023

web turkeybusticket com is an online bus ticket booking service for domestic journeys within turkey we provide bus trips of more than 127 companies and carriers all over turkey you can make online reservation for turkey bus tickets within a few simple clicks using your already existing paypal account or your credit card securely through paypal

[bus ticket reservation system wee kim li old vulkk com](#) - May 12 2023

web 2 bus ticket reservation system wee kim li 2020 01 06 if you want to contact the monkeys shoot them an email at kach twomonkeystravelgroup com some of their adventures around the world two monkeys travel crown publishing group ny the kenya gazette is an official publication of the government of the republic of kenya it

[bus ticket reservation system wee kim li old vulkk](#) - Mar 30 2022

web bus ticket reservation system wee kim li downloaded from old vulkk com by guest garrett lennon f s index international annual fodor s travel Ôthis very interesting book provides an excellent multi disciplinary introduction into the functioning of transport systems and the interaction with

[İett İstanbul elektrik tramvay ve tünel İşletmeleri genel](#) - Jun 13 2023

web transportation to bus terminal more information transportation to piers more information transportation to high speed train more information lines at night more information railway station transportation more information adalara ulaşım detaylı bilgi metrobüse ulaşım detaylı bilgi

bus ticket reservation system wee kim li pdf old vulkk - Apr 11 2023

web 4 bus ticket reservation system wee kim li 2022 12 31 effectiveness of their own operations transit bus service line and cleaning functions rick steves kach medina and jonathan howe are working on the road couple from the philippines and uk having each decided to quit their jobs and set off around south east asia to start their new lives

online otobüs bileti al checkmybus - Feb 09 2023

web checkmybus ile türk ve uluslararası otobüs bağlantıları için tüm otobüs firmalarından otobüs tarifelerini durakları ve güncel fiyatları bulun ve ucuz otobüs bileti online rezerve edin

bus ticket reservation system wee kim li download only - Jan 28 2022

web bus ticket reservation system wee kim li 5 5 top sights and taking roads less traveled looking for just the highlights check out pocket toronto a handy sized guide focused on the can t miss sights for a quick trip about lonely planet lonely planet is a leading travel media company providing both inspiring and trustworthy information for

public transport istanbul 2023 prices maps lines airports - Dec 07 2022

web sep 4 2020 a single ticket for public transport costs 15 tl per person there are also 2 ride tickets for 25tl 3 ride tickets for 35 tl 5 ride tickets for 45 tl and 10 ride tickets for 90 tl in addition there is an electronic card that is used for the entire public transport network in istanbul the istanbulkart

İsrail otobüs bileti checkmybus - Jul 02 2022

web İsrail otobüs seferleri en ucuz otobüs biletini bul ve karşılaştır İsrail ziyaretinizde otobüsle mi seyahat etmek istiyorsunuz checkmybus size yardım için burada İsrail için tüm otobüs bağlantılarını karşılaştırır ve kalkış saatlerini otobüs durakları tüm seyahat saatlerini ve elbette en iyi bilet

bus ticket reservation system wee kim li old vulkk - Mar 10 2023

web bus ticket reservation system wee kim li 3 3 this comprehensive textbook introduces the transport system in a holistic and multidisciplinary way bringing together the myriad components of transport this textbook is written for an international readership of undergraduate and postgraduate students in transport and related subjects as well as for

kamil koç uygun otobüs bileti fiyatları online satın al - Nov 06 2022

web İnternet sitemiz ve uygulamamız seyahatinizi planlamanızı bütçenize uygun otobüs biletini bulmanızı ve güvenli bir şekilde biletinizi satın almayı kolaylaştırmaktadır İster önceden planlama yapıyor olun ister son dakika seyahat organizasyonu yapıyor olun kamil koç otobüs bileti satın almayı sizin için her zaman

bus ticket line turkey bus ticket booking service bus ticket - Sep 04 2022

web bus companies busticketline com helps you easily search and browse through different bus fares to find the cheapest bus tickets for your travel in turkey view different bus bus schedules and bus ticket prices to find a bus based on your traveling needs you ll be able to see which amenities are available for each individual departure when you search your

bus ticket reservation system wee kim li utem vdocument in - Jul 14 2023

web sep 12 2021 check bus ticket availability through the bus ticket reservation system and print the bus ticket to the customer after customer pay the bus ticket bus ticket reservation system will be developed by using system development life cycle sdlc methodology platform for this system is microsoft windows xp professional 1 5 project