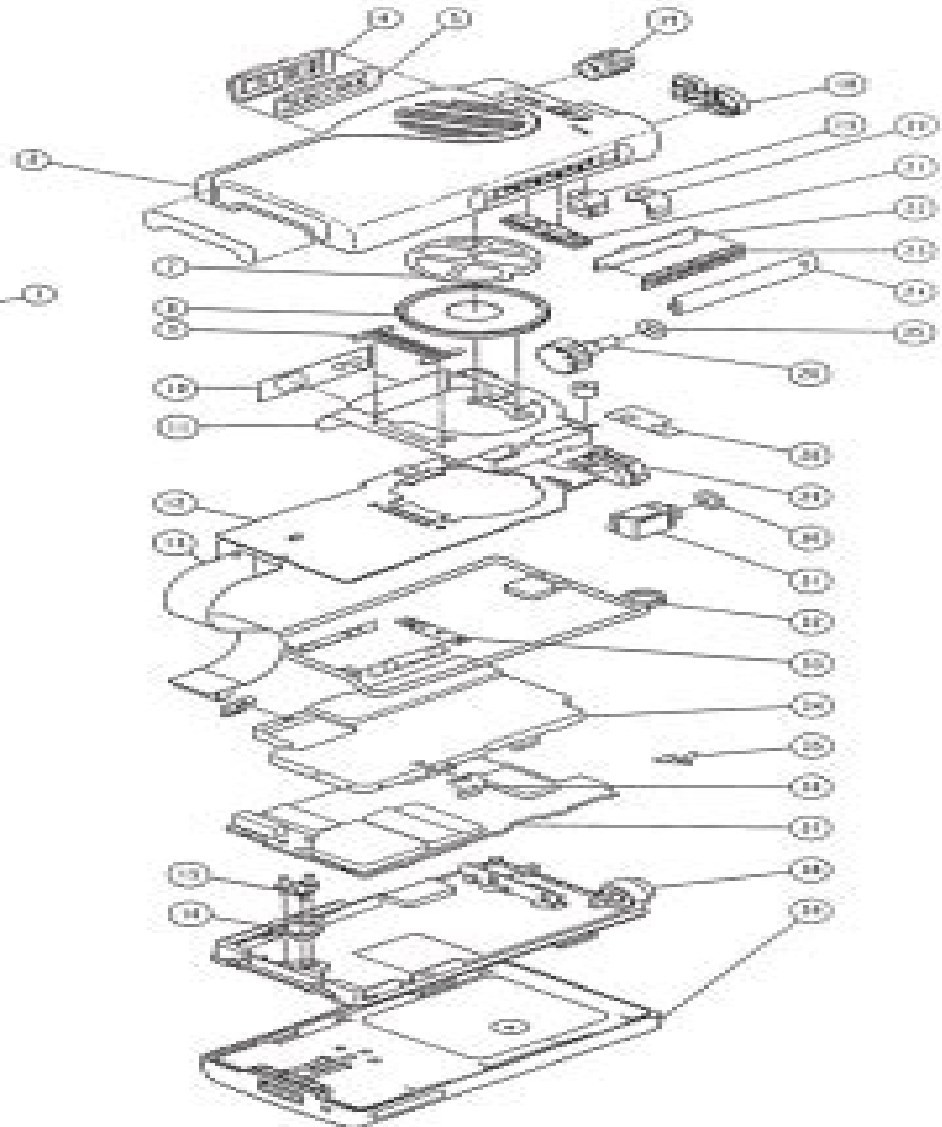
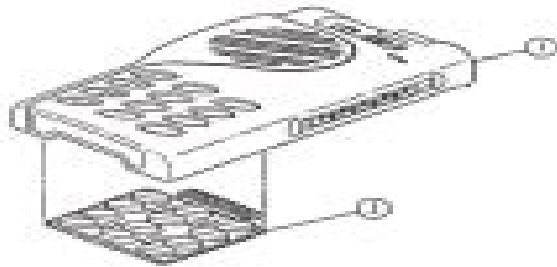


Parts List



Visar Radio Manual

SA Adler



Visar Radio Manual:

Adopting the Melody of Expression: An Psychological Symphony within **Visar Radio Manual**

In a world used by displays and the ceaseless chatter of instant communication, the melodic beauty and mental symphony created by the published word usually fade into the background, eclipsed by the persistent sound and disturbances that permeate our lives. But, located within the pages of **Visar Radio Manual** a wonderful literary prize overflowing with organic thoughts, lies an immersive symphony waiting to be embraced. Constructed by an outstanding musician of language, that charming masterpiece conducts viewers on an emotional trip, well unraveling the hidden tunes and profound influence resonating within each carefully constructed phrase. Within the depths of this poignant examination, we shall examine the book is central harmonies, analyze its enthralling writing design, and submit ourselves to the profound resonance that echoes in the depths of readers souls.

https://about.livewellcolorado.org/book/publication/Download_PDFS/wiring_for_199ford_mustang.pdf

Table of Contents Visar Radio Manual

1. Understanding the eBook Visar Radio Manual
 - The Rise of Digital Reading Visar Radio Manual
 - Advantages of eBooks Over Traditional Books
2. Identifying Visar Radio Manual
 - Exploring Different Genres
 - Considering Fiction vs. Non-Fiction
 - Determining Your Reading Goals
3. Choosing the Right eBook Platform
 - Popular eBook Platforms
 - Features to Look for in an Visar Radio Manual
 - User-Friendly Interface
4. Exploring eBook Recommendations from Visar Radio Manual
 - Personalized Recommendations

- Visar Radio Manual User Reviews and Ratings
- Visar Radio Manual and Bestseller Lists
- 5. Accessing Visar Radio Manual Free and Paid eBooks
 - Visar Radio Manual Public Domain eBooks
 - Visar Radio Manual eBook Subscription Services
 - Visar Radio Manual Budget-Friendly Options
- 6. Navigating Visar Radio Manual eBook Formats
 - ePub, PDF, MOBI, and More
 - Visar Radio Manual Compatibility with Devices
 - Visar Radio Manual Enhanced eBook Features
- 7. Enhancing Your Reading Experience
 - Adjustable Fonts and Text Sizes of Visar Radio Manual
 - Highlighting and Note-Taking Visar Radio Manual
 - Interactive Elements Visar Radio Manual
- 8. Staying Engaged with Visar Radio Manual
 - Joining Online Reading Communities
 - Participating in Virtual Book Clubs
 - Following Authors and Publishers Visar Radio Manual
- 9. Balancing eBooks and Physical Books Visar Radio Manual
 - Benefits of a Digital Library
 - Creating a Diverse Reading Collection Visar Radio Manual
- 10. Overcoming Reading Challenges
 - Dealing with Digital Eye Strain
 - Minimizing Distractions
 - Managing Screen Time
- 11. Cultivating a Reading Routine Visar Radio Manual
 - Setting Reading Goals Visar Radio Manual
 - Carving Out Dedicated Reading Time
- 12. Sourcing Reliable Information of Visar Radio Manual
 - Fact-Checking eBook Content of Visar Radio Manual

- Distinguishing Credible Sources
- 13. Promoting Lifelong Learning
 - Utilizing eBooks for Skill Development
 - Exploring Educational eBooks
- 14. Embracing eBook Trends
 - Integration of Multimedia Elements
 - Interactive and Gamified eBooks

Visar Radio Manual Introduction

In this digital age, the convenience of accessing information at our fingertips has become a necessity. Whether its research papers, eBooks, or user manuals, PDF files have become the preferred format for sharing and reading documents. However, the cost associated with purchasing PDF files can sometimes be a barrier for many individuals and organizations. Thankfully, there are numerous websites and platforms that allow users to download free PDF files legally. In this article, we will explore some of the best platforms to download free PDFs. One of the most popular platforms to download free PDF files is Project Gutenberg. This online library offers over 60,000 free eBooks that are in the public domain. From classic literature to historical documents, Project Gutenberg provides a wide range of PDF files that can be downloaded and enjoyed on various devices. The website is user-friendly and allows users to search for specific titles or browse through different categories. Another reliable platform for downloading Visar Radio Manual free PDF files is Open Library. With its vast collection of over 1 million eBooks, Open Library has something for every reader. The website offers a seamless experience by providing options to borrow or download PDF files. Users simply need to create a free account to access this treasure trove of knowledge. Open Library also allows users to contribute by uploading and sharing their own PDF files, making it a collaborative platform for book enthusiasts. For those interested in academic resources, there are websites dedicated to providing free PDFs of research papers and scientific articles. One such website is Academia.edu, which allows researchers and scholars to share their work with a global audience. Users can download PDF files of research papers, theses, and dissertations covering a wide range of subjects. Academia.edu also provides a platform for discussions and networking within the academic community. When it comes to downloading Visar Radio Manual free PDF files of magazines, brochures, and catalogs, Issuu is a popular choice. This digital publishing platform hosts a vast collection of publications from around the world. Users can search for specific titles or explore various categories and genres. Issuu offers a seamless reading experience with its user-friendly interface and allows users to download PDF files for offline reading. Apart from dedicated platforms, search engines also play a crucial role in finding free PDF files. Google, for instance, has an advanced search

feature that allows users to filter results by file type. By specifying the file type as "PDF," users can find websites that offer free PDF downloads on a specific topic. While downloading Visar Radio Manual free PDF files is convenient, it's important to note that copyright laws must be respected. Always ensure that the PDF files you download are legally available for free. Many authors and publishers voluntarily provide free PDF versions of their work, but it's essential to be cautious and verify the authenticity of the source before downloading Visar Radio Manual. In conclusion, the internet offers numerous platforms and websites that allow users to download free PDF files legally. Whether it's classic literature, research papers, or magazines, there is something for everyone. The platforms mentioned in this article, such as Project Gutenberg, Open Library, Academia.edu, and Issuu, provide access to a vast collection of PDF files. However, users should always be cautious and verify the legality of the source before downloading Visar Radio Manual any PDF files. With these platforms, the world of PDF downloads is just a click away.

FAQs About Visar Radio Manual Books

How do I know which eBook platform is the best for me? Finding the best eBook platform depends on your reading preferences and device compatibility. Research different platforms, read user reviews, and explore their features before making a choice. Are free eBooks of good quality? Yes, many reputable platforms offer high-quality free eBooks, including classics and public domain works. However, make sure to verify the source to ensure the eBook credibility. Can I read eBooks without an eReader? Absolutely! Most eBook platforms offer webbased readers or mobile apps that allow you to read eBooks on your computer, tablet, or smartphone. How do I avoid digital eye strain while reading eBooks? To prevent digital eye strain, take regular breaks, adjust the font size and background color, and ensure proper lighting while reading eBooks. What the advantage of interactive eBooks? Interactive eBooks incorporate multimedia elements, quizzes, and activities, enhancing the reader engagement and providing a more immersive learning experience. Visar Radio Manual is one of the best books in our library for free trial. We provide copy of Visar Radio Manual in digital format, so the resources that you find are reliable. There are also many eBooks related with Visar Radio Manual. Where to download Visar Radio Manual online for free? Are you looking for Visar Radio Manual PDF? This is definitely going to save you time and cash in something you should think about. If you're trying to find then search around for online. Without a doubt there are numerous these available and many of them have the freedom. However, without a doubt you receive whatever you purchase. An alternate way to get ideas is always to check another Visar Radio Manual. This method for see exactly what may be included and adopt these ideas to your book. This site will almost certainly help you save time and effort, money and stress. If you are looking for free books then you really should consider finding to assist you try this. Several of Visar Radio Manual are for sale to free while

some are payable. If you arent sure if the books you would like to download works with for usage along with your computer, it is possible to download free trials. The free guides make it easy for someone to free access online library for download books to your device. You can get free download on free trial for lots of books categories. Our library is the biggest of these that have literally hundreds of thousands of different products categories represented. You will also see that there are specific sites catered to different product types or categories, brands or niches related with Visar Radio Manual. So depending on what exactly you are searching, you will be able to choose e books to suit your own need. Need to access completely for Campbell Biology Seventh Edition book? Access Ebook without any digging. And by having access to our ebook online or by storing it on your computer, you have convenient answers with Visar Radio Manual To get started finding Visar Radio Manual, you are right to find our website which has a comprehensive collection of books online. Our library is the biggest of these that have literally hundreds of thousands of different products represented. You will also see that there are specific sites catered to different categories or niches related with Visar Radio Manual So depending on what exactly you are searching, you will be able to choose ebook to suit your own need. Thank you for reading Visar Radio Manual. Maybe you have knowledge that, people have search numerous times for their favorite readings like this Visar Radio Manual, but end up in harmful downloads. Rather than reading a good book with a cup of coffee in the afternoon, instead they juggled with some harmful bugs inside their laptop. Visar Radio Manual is available in our book collection an online access to it is set as public so you can download it instantly. Our digital library spans in multiple locations, allowing you to get the most less latency time to download any of our books like this one. Merely said, Visar Radio Manual is universally compatible with any devices to read.

Find Visar Radio Manual :

wiring for 199ford mustang

b737 systems manual

quizlet ap psych chapter 4

dodge caravan chrysler town country diesel 2005 manual

used toyota celica manual transmission

mitsubishi l200 parts manual 4d56

bus and pedestrian safety preschool

1997 suzuki df115 outboard manual

suzuki every landy manual

box and whisker plot multiple choice

[6 hp johnson manuale](#)

[electronic filing using dbase iii plus](#)

iterative methods for calculating static fields and wave scattering by small bodies

operating manual backhoe fermec lines

04 infiniti g35 service manual

Visar Radio Manual :

forgotten places outtakes german edition kindle edition - Nov 26 2022

web forgotten places outtakes german edition ebook harring estelle amazon in kindle store

forgotten places outtakes by estelle harring goodreads - Mar 19 2022

web meine charaktere der forgotten places jedenfalls diese kleinen begebenheiten sind alle auf meiner facebook seite nachzulesen und jetzt auf vielfachen wunsch auch zusammengefasst in diesem buch lasst euch gut unterhalten von den rubriken figuren unter sich aus dem leben einer autorin und dem estelle fragebogen den die

forgotten places series by estelle harring goodreads - Feb 27 2023

web by estelle harring 3 33 3 ratings 1 edition habt ihr euch schon immer gefragt was eure liebli want to read rate it forgotten places alistair band 1 german edition forgotten places ash band 2 german edition forgotten places alassë band 3 german edition

[forgotten places outtakes kindle edition amazon de](#) - Jan 29 2023

web select the department you want to search in

forgotten places outtakes german edition kindle edition □ - Jun 21 2022

web dec 10 2018 amazon co jp forgotten places outtakes german edition ebook harring estelle kindle store

[explore singapore series 4 abandoned places you won t last a](#) - Jun 02 2023

web singapore there are nooks and crannies in singapore brimming with stories of a forgotten past a past that is slowly being revealed on instagram feeds and blogs belonging to daredevil explorers

forgotten places outtakes by estelle harring prospectus camre ac - Sep 24 2022

web jun 9 2023 forgotten places ashband 3 forgotten places alassëband 4 forgotten places aidanband 5 forgotten places armandband 6 forgotten places audreyband 7 forgotten places armageddon finaler band staffel 2band 8 forgotten places luziferband 9 forgotten places lokiband 10

exploring australia s forgotten churches and their weird and - Oct 26 2022

web 2 days ago this is a tale of faith perseverance and tragedy but also rebirth as the victorian town of tarnagulla boomed

during the mid 19th century gold rush the wesleyan methodist community toiled
episode 12 outtakes obstac s forgotten place youtube - Mar 31 2023

web outtakes obstac s forgotten places in mehr als 3 wochen wurde obstac s forgotten places gefilmt und geschnitten das eigentliche erlebnis ist hinter der ka

forgotten places outtakes wrbb neu - Jul 23 2022

web forgotten places outtakes is available in our book collection an online access to it is set as public so you can download it instantly our books collection spans in multiple locations allowing you to get the most less latency time to download any of our books like this

forgotten places in singapore top 20 nostalgic places never - Sep 05 2023

web here s a list of 20 forgotten places in singapore that have vanished from their times existing only in our memories top 20 forgotten places in singapore 1 fantasy island previous location sentosa where universal studios singapore is currently

9 abandoned places in singapore and the stories behind them - Oct 06 2023

web beyond singapore s glimmering skyscrapers there is a twilight zone of ghost towns decaying mansions and wartime relics before they were left to nature s devices these forgotten places were

ghost towns the places that time forgot life - Dec 28 2022

web one fort in india was supposedly cursed by a tantric magician while an italian castle was allegedly the site of a mass murder spurred by one man s obsessive love despite their considerable differences many of these once thriving communities have histories that seem ripped out of adventure yarns and now told in the thrilling edition of

forgotten places outtakes german edition ebook amazon in - Apr 19 2022

web forgotten places outtakes german edition ebook harring estelle amazon in kindle ☐ ☐ ☐

forgotten places outtakes help environment harvard edu - Jul 03 2023

web globe experience some places following history amusement and a lot more it is your extremely own become old to sham reviewing habit in the course of guides you could enjoy now is forgotten places outtakes below the unruly life of woody allen marion meade 2014 04 01 a psychologically nuanced tough minded portrait of the new

abandoned places in singapore wwii bunkers deserted - Aug 04 2023

web nov 5 2020 7 abandoned places in singapore underground bunkers deserted mansions and hidden railway tracks by kimberly lai november 5 2020 even a shiny city like singapore has her share of creepy abandoned places photo credit beyond expeditions singapore is a modern bustling metropolis that s constantly transforming

forgotten places outtakes wrbb neu edu - Aug 24 2022

web 2 forgotten places outtakes 2021 02 03 jacobs chantal akerman marguerite duras claude lanzmann james benning kevin

jerome everson lav diaz and wang bing duration al cinema is predominantly minimal but has from the beginning also included a more encompassing or encyclopedic kind of filmmaking durational cinema is

30 mysteriously abandoned places in the world - Feb 15 2022

web oct 20 2021 1 bannerman castle pollepel island new york francis bannerman vi built a huge storing space after buying the american military surplus from the spanish war however much of the castle was destroyed following a massive explosion of ammunition in 1920 thereafter the remains of the castle were abandoned 2

echoes of forgotten places video 2005 imdb - May 21 2022

web echoes of forgotten places directed by robert fantinatto urban explorers and industrial archeologists visit decaying factories and abandoned buildings in toronto

forgotten places bbc reel - May 01 2023

web nov 21 2022 bbc reel explores incredible places that time forgot from abandoned mining villages in the arctic to lost towns in the heart of the amazon and unravel the histories of what really happened

parts emporium ltd find and update company information - May 03 2023

web nov 23 2020 45320 retail trade of motor vehicle parts and accessories parts emporium ltd free company information from companies house including registered office address filing history accounts

emporium hotel istanbul İstanbul türkiye tripadvisor - Jan 31 2023

web emporium hotel istanbul İstanbul tarafsız yorumları okuyun gerçek gezgin fotoğraflarına bakın tripadvisor ın interaktif haritasını kullanarak konuma ve yakındaki restoran ve gezilecek yer seçeneklerine göz atın konaklamanız için fiyatları karşılaştırın ve en iyi teklifi alın

emporium hotel istanbul updated 2023 prices booking com - Jul 25 2022

web only 164 feet from beyazit tram stop emporium hotel is 5 minutes walk from grand bazaar it features free wifi and a mediterranean style interior with indoor palm trees a fountain and soft color patterns all rooms at emporium hotel include air conditioning a flat screen tv with satellite channels and a mini bar

management case study the parts emporium case ipl org - Oct 28 2022

web the parts emporium case focuses on the challenges that the new materials manager sue mccaskey is facing at a wholesale distributor of the auto parts in chicago in her newly created management position she looks for different ways to cut the companies bloated inventories as well as improving their customer service process

parts emporium case case study example 200 words - Jun 23 2022

web jan 10 2017 describe each of these parts and the role they play in ventilation nasal essay on parts emporium case total costs for eg151 include ordering costs and holding costs compare this to the current system costs you do

[parts emporium parts emporium inc is a wholesale ask 7](#) - Mar 21 2022

web answer of parts emporium parts emporium inc is a wholesale distributor of automobile parts formed by two disenchanted auto mechanics dan block and ed

[parts emporium new minas auto parts store](#) - Mar 01 2023

web best auto parts store in new minas welcome to parts emporium new minas where we make stock high grade auto parts every product we display is carefully selected based on performance and consumer feedback

45bw 5e 20190303115222 - Jul 05 2023

web bu daha uzun süreti otomobil sahipliöi eöilimi ile birlÇince ticari faaliyetlerinde patlamaya yol açml r 15 yll sonra parts emporium kuzey orta bölgede en büyük baölrnstz otomobil parçalan distribütörü olmuştur yakın zamanda parts emporium chicago nun banliyölerinden birinde yeni bir ofis ve depo kompleksi olan interstate 55 e ta lnml r

parts emporium ltd company profile dun bradstreet - Apr 02 2023

web parts emporium ltd company profile nottingham united kingdom competitors financials contacts dun bradstreet

parts emporium lechworth facebook - Jun 04 2023

web parts emporium 2 609 likes 66 talking about this 17 were here we buy and sell vw cars and parts we are a small business on the hertfordshire bedfordshire borde

parts emporium 19n02j327k4v documents and e books - Feb 17 2022

web our company 2008 columbia road wrangle hill de 19720 302 836 3880 email protected

facebook - Aug 06 2023

web facebook

emporium hotel istanbul updated 2023 prices booking com - Dec 30 2022

web only 50 metres from beyazit tram stop emporium hotel is 5 minutes walk from grand bazaar it features free wifi and a mediterranean style interior with indoor palm trees a fountain and soft colour patterns all rooms at emporium hotel include air conditioning a flat screen tv with satellite channels and a minibar

parts emporium case study 2427 words bartleby - Nov 28 2022

web parts emporium inc is a wholesale distributor of automobile parts formed by two disenchanted auto mechanics dan block and ed spriggs originally located in block s garage the firm showed slow but steady growth for 7 years before it relocated to an old abandoned meat packing warehouse on chicago s south side

parts emporium vw volkswagen used aircooled spare parts - Sep 07 2023

web dr robinson s parts emporium is here to help keep your air cooled vw alive and on the road with lots of used vw parts we sell used volkswagen parts to help your classic vw rebuild restoration we are not a scrap yard

parts emporium pdf scribd - Aug 26 2022

web parts emporium is a wholesale distributor of automobile parts formed by two mechanics named dan block and ed spriggs recently parts emporium was relocated to a new office with a warehouse space of more than 100 000 square feet

emporium hotel İstanbul hotels com - Apr 21 2022

web emporium hotel fırsatlarına bakın ücretsiz iptal seçeneği ile tamamen iade edilebilir fiyatlar dâhil kapalı Çarşı birkaç dakika mesafede bu otel misafirlere ücretsiz kahvaltı ücretsiz kablosuz İnternet ve restoran tüm odalarda derin küvet ve akıllı televizyon var

parts emporium case study new york essays - May 23 2022

web parts emporium case study 1 the short answer is that higher inventories do not provide an advantage in any of the nine competitive priority categories the important point is that firms must have the right amount of inventory to meet their competitive priorities the only relevant costs considered in this chapter are ordering costs

case study parts emporium marvel researchers - Sep 26 2022

web parts emporium deals with automobile parts distribution and is owned by ed springs and dan block during the first 7 years after its establishment parts emporium struggled in the market due to poor strategic position in block s garage

carparts emporium site resmi türkiye - Oct 08 2023

web carparts emporium a hoş geldiniz türkiye de yüksek kaliteli otomobil parçaları satın almak için en iyi yeriniz turkauto parts olarak birinci sınıf otomobil parçaları ve aksesuarları ile sürüş deneyiminizi geliştirmeye kararlıyız

virginia state map usa maps of virginia va world maps - Dec 13 2022

oct 16 2023 large detailed tourist map of virginia with cities and towns 6424x2934px 5 6 mb go to map virginia county map 2500x1331px 635 kb go to map virginia road map 3621x2293px 5 09 mb go to map road map of virginia with cities

3100x1282px 1 09 mb go to map virginia railroad map

virginia simple english wikipedia the free encyclopedia - Jun 19 2023

virginia was founded started in 1607 in jamestown virginia the state of west virginia was part of virginia until the american civil war virginia then left seceded from the united states and joined the confederate states of america

virginia maps facts world atlas - Mar 16 2023

mar 15 2023 where is virginia the state of virginia is located in the south atlantic region of the united states virginia is bordered by the states of north carolina in the south by tennessee in the southwest by kentucky in the west by west virginia in the northwest and by maryland and washington d c in the northeast

virginia capital map history facts britannica - Jul 20 2023

oct 18 2023 virginia constituent state of the u s one of the original 13 colonies it is bordered by maryland to the northeast

the atlantic ocean to the southeast north carolina and tennessee to the south kentucky to the west and west virginia to the northwest the state capital is

virginia pictures and facts national geographic kids - Jan 14 2023

virginia was named after queen elizabeth i who was called the virgin queen the area that s now virginia was home to the first english colony in north america and virginia was thought of as one of england s dominions or territory that s why it s nicknamed the old dominion state

virginia wikiwand - May 18 2023

virginia abd nin atlas okyanusu sahilindeki bir eyaletidir amerika birleşik devletleri nin eyaletleri arasında 8 5 milyon kişiyle nüfus açısından 12 yüzölçümü açısından 35 sıradadır washington a yakınlığından dolayı stratejik önemi yüksektir

21 top things to do in virginia u s news travel - Feb 15 2023

feb 18 2022 northern virginia and washington d c residents often flock to shenandoah national park for a mountain getaway you can reach the park in about two hours from the nation s capital giving you

virginia wikipedia - Sep 22 2023

virginia officially the commonwealth of virginia a is a state in the mid atlantic and southeastern regions of the united states between the atlantic coast and the appalachian mountains the state s capital is richmond its most populous city is virginia beach and fairfax county is the state s most populous political subdivision

virginia vikipedi - Aug 21 2023

jamestown ın krokisi 1608 civarı 16 yüzyıl sonunda birleşik krallık kuzey amerika yı sömürgeleştirmeye başladığında kraliçe i elizabeth asla evlenmediği için bakire virjin kraliçe lakabıyla anılıyordu sir walter raleigh nin 1584 teki seferinde keşfedilen kıyılara virginia adının verilmesini istedi

virginia capital facts statehood history - Apr 17 2023

nov 9 2009 the home state of george washington thomas jefferson and other founding fathers virginia played an important role in the american revolution during the civil war the city of richmond virginia