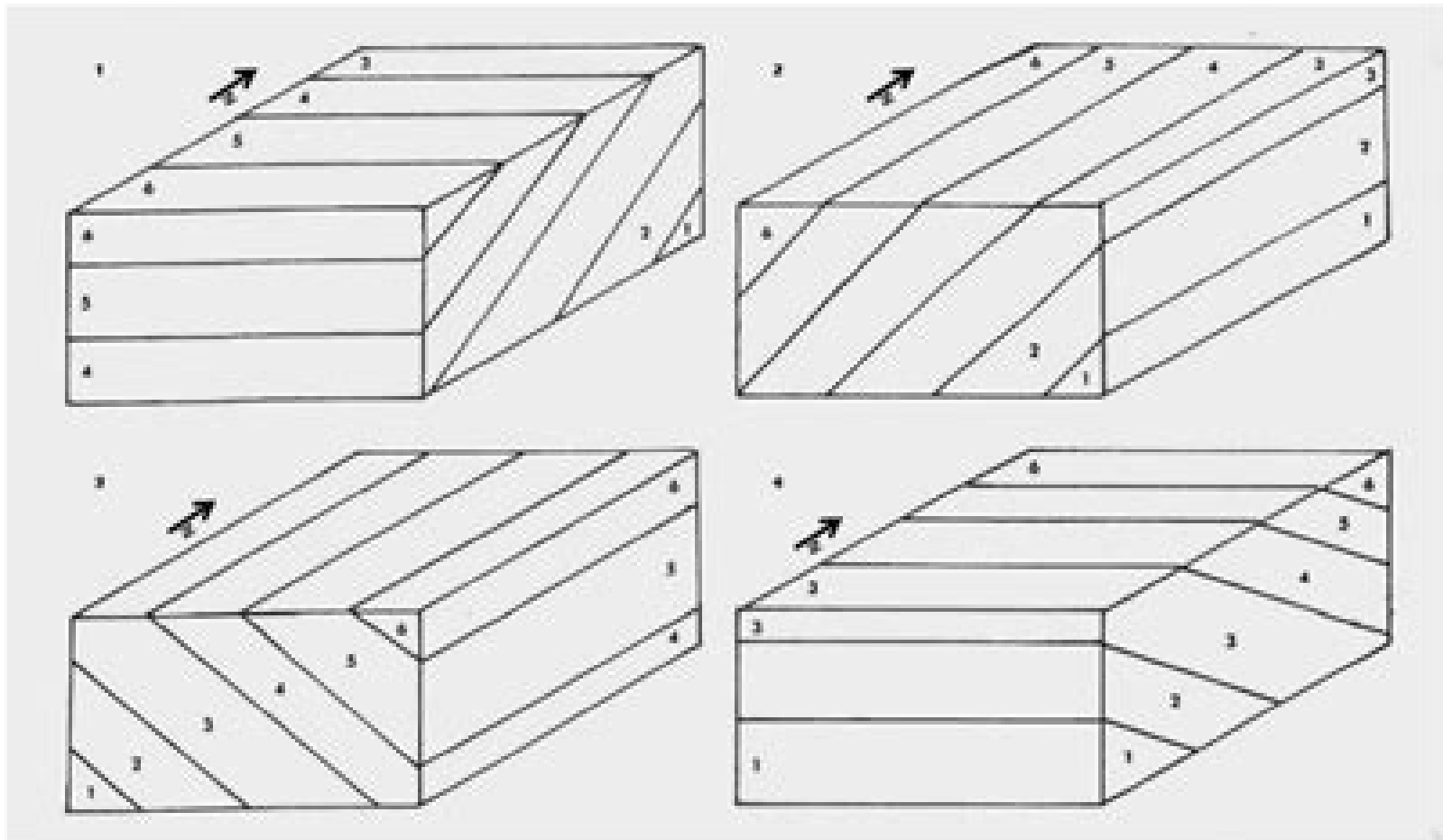


Lab 6 / Structural Geology Assignment

STRUCTURAL GEOLOGY - Block diagram exercises

Block diagrams 1-4 illustrate 4 different attitudes (orientations) of tilted strata. For each diagram determine the strike and the direction of dip of the rock units.



Structural Geology Question Answer

Raffaella Di Napoli



Structural Geology Question Answer:

Problems and Solutions in Structural Geology and Tectonics, 2019-02-26 Problems and Solutions in Structural Geology and Tectonics Volume 5 in the series Developments in Structural Geology and Tectonics presents students researchers and practitioners with an all new set of problems and solutions that structural geologists and tectonics researchers commonly face Topics covered include ductile deformation such as strain analyses brittle deformation such as rock fracturing brittle ductile deformation collisional and shortening tectonics thrust related exercises rift and extensional tectonics strike slip tectonics and cross section balancing exercises The book provides a how to guide for students of structural geology and geologists working in the oil gas and mining industries Provides practical solutions to industry related issues such as well bore stability Allows for self study and includes background information and explanation of research and industry jargon Includes full color diagrams to explain 3D issues

Structural Geology David D. Pollard, Stephen J. Martel, 2020-07-23 Tackling structural geology problems today requires a quantitative understanding of the underlying physical principles and the ability to apply mathematical models to deformation processes within the Earth Accessible yet rigorous this unique textbook demonstrates how to approach structural geology quantitatively using calculus and mechanics and prepares students to interface with professional geophysicists and engineers who appreciate and utilize the same tools and computational methods to solve multidisciplinary problems Clearly explained methods are used throughout the book to quantify field data set up mathematical models for the formation of structures and compare model results to field observations An extensive online package of coordinated laboratory exercises enables students to consolidate their learning and put it into practice by analyzing structural data and building insightful models Designed for single semester undergraduate courses this pioneering text prepares students for graduates studies and careers as professional geoscientists

The Techniques of Modern Structural Geology John G. Ramsay, Martin I. Huber, Richard J. Lisle, 1983 CD ROM contains the programs described v 3 and listed in the appendices of the sessions

Structural Geology and Personal Computers D.G. De Paor, 1996-12-17 This book will help structural geologists keep abreast of rapid changes in work practices resulting from the personal computer revolution It is organized into six parts I Computer Aided Learning II Microstructural Analysis III Analysis of Orientation Data IV Strain and Kinematic Analysis V Mathematical and Physical Modeling VI Structural Mapping and GIS The 45 contributing authors explain how to set up computer aided teaching and learning facilities on a low budget illustrate tectonic strain concepts with a drawing program integrate multimedia presentations into structural coursework analyze microstructures with computer aided microscopy produce sophisticated stereonet with custom software for both the Mac and IBM PC evaluate orientation data using a spreadsheet program model the development of macrostructures and microstructures numerically integrate structural and geophysical data and apply PC technology to the production of structural maps cross sections and block diagrams The editor s own contributions reveal the

inner workings of his renowned structural research applications which are used in hundreds of universities worldwide Commercial and non commercial applications of particular interest to structural geologists are reviewed This volume will prove an invaluable resource for professors instructors and research students as well as research scientists in the public services and exploration industries If you are such a person have you lectured with the aid of a gyroscopic mouse Or used B zier curves to model heterogeneous deformation Or analyzed a fold structure using a digital terrain model If not you ll need to rush out and buy this book before the next wave of new technology hits

Quantitative Structural Geology David D. Pollard,Stephen J. Martel,2020-07-23 A pioneering single semester undergraduate textbook that balances descriptive and quantitative analysis of geological structures

Structures - Geology, Expansion, and the Arts Debbie Keiser,Brenda McGee,2007-07 The Earth is a solid structure on which we live but it is not unchanging Forces inside Earth constantly change both the inside and outside of the planet we call home When students consider the concept of structures they will discover that the word has many meanings The books in Prufrock s new Differentiated Curriculum Kits employ a differentiated integrated curriculum based on broad themes This all in one curriculum helps teachers save planning time ensure compliance with national standards and most importantly pique their students natural excitement and interest in discovery By participating in the wide variety of activities in the Differentiated Curriculum Kit for Grade 5 students will discover the structures around them and gain a lifelong desire to learn In Structures Book 3 Government Cycles and Physics students will explore cycles in time business monetary value and life A study of Tuck Everlasting will cause students to realize that a break in the normal life cycle might not be in our best interest Students also look at structures within the topics of electricity and magnetism and the relationship between the two

A Laboratory Manual of Dynamic and Structural Geology Kirtley Fletcher Mather,Ralph Gordon Lusk,1926

400+ Geologist Interview Questions And Answers Guide (expert Edition) - Complete Study & Preparation Ebook CloudRoar Consulting services,101-01-01 Prepare for the Zscaler Certified Administrator exam with 350 questions and answers covering cloud security firewall policies access control traffic inspection logging and best practices Each question provides practical examples and detailed explanations to ensure exam readiness Ideal for cloud security engineers and administrators Zscaler CertifiedAdministrator CloudSecurity FirewallPolicies AccessControl TrafficInspection Logging BestPractices ExamPreparation CareerGrowth ProfessionalDevelopment ITSecurity CloudEngineering ITSkills ITCertifications

Technical questions and answers for job interview Offshore Drilling Rigs Petrogav International Oil & Gas Training Center,2020-06-29 The job interview is probably the most important step you will take in your job search journey Because it s always important to be prepared to respond effectively to the questions that employers typically ask at a job interview Petrogav International has prepared this eBooks that will help you to get a job in oil and gas industry Since these questions are so common hiring managers will expect you to be able to answer them smoothly and without hesitation This eBook contains 273 questions and answers for job interview and

as a BONUS web addresses to 309 video movies for a better understanding of the technological process This course covers aspects like HSE Process Mechanical Electrical and Instrumentation Control that will enable you to apply for any position in the Oil and Gas Industry *Technical questions and answers for job interview Offshore Drilling Rigs* Petrogav International Oil & Gas Training Center,2020-06-29 The job interview is probably the most important step you will take in your job search journey Because it s always important to be prepared to respond effectively to the questions that employers typically ask at a job interview Petrogav International has prepared this eBooks that will help you to get a job in oil and gas industry Since these questions are so common hiring managers will expect you to be able to answer them smoothly and without hesitation This eBook contains 273 questions and answers for job interview and as a BONUS web addresses to 309 video movies for a better understanding of the technological process This course covers aspects like HSE Process Mechanical Electrical and Instrumentation Control that will enable you to apply for any position in the Oil and Gas Industry **150 technical questions and answers for job interview Offshore Drilling Rigs** Petrogav International Oil & Gas Training Center,2020-06-29 The job interview is probably the most important step you will take in your job search journey Because it s always important to be prepared to respond effectively to the questions that employers typically ask at a job interview Petrogav International has prepared this eBooks that will help you to get a job in oil and gas industry Since these questions are so common hiring managers will expect you to be able to answer them smoothly and without hesitation This eBook contains 150 questions and answers for job interview and as a BONUS web addresses to 309 video movies for a better understanding of the technological process This course covers aspects like HSE Process Mechanical Electrical and Instrumentation Control that will enable you to apply for any position in the Oil and Gas Industry Questions and answers for job interview Offshore Oil & Gas Rigs Petrogav International Oil & Gas Training Center,2020-07-01 The job interview is probably the most important step you will take in your job search journey Because it s always important to be prepared to respond effectively to the questions that employers typically ask at a job interview Petrogav International has prepared this eBooks that will help you to get a job in oil and gas industry Since these questions are so common hiring managers will expect you to be able to answer them smoothly and without hesitation This eBook contains 288 questions and answers for job interview and as a BONUS web addresses to 289 video movies for a better understanding of the technological process This course covers aspects like HSE Process Mechanical Electrical and Instrumentation Control that will enable you to apply for any position in the Oil and Gas Industry **100 technical questions and answers for job interview Offshore Drilling Rigs** Petrogav International Oil & Gas Training Center,2020-06-29 The job interview is probably the most important step you will take in your job search journey Because it s always important to be prepared to respond effectively to the questions that employers typically ask at a job interview Petrogav International has prepared this eBooks that will help you to get a job in oil and gas industry Since these questions are so common hiring managers will expect you to be able to answer them smoothly

and without hesitation This eBook contains 100 questions and answers for job interview and as a BONUS web addresses to 280 video movies for a better understanding of the technological process This course covers aspects like HSE Process Mechanical Electrical and Instrumentation Control that will enable you to apply for any position in the Oil and Gas Industry

Job interview questions and answers for employment on Offshore Drilling Rigs Petrogav International Oil & Gas Training Center,2020-06-28 The job interview is probably the most important step you will take in your job search journey Because it s always important to be prepared to respond effectively to the questions that employers typically ask at a job interview Petrogav International has prepared this eBooks that will help you to get a job in oil and gas industry Since these questions are so common hiring managers will expect you to be able to answer them smoothly and without hesitation This eBook contains 271 questions and answers for job interview and as a BONUS 282 links to video movies and 205 web addresses to recruitment companies where you may apply for a job This course covers aspects like HSE Process Mechanical Electrical and Instrumentation Control that will enable you to apply for any position in the Oil and Gas Industry 200

technical questions and answers for job interview Offshore Drilling Rigs Petrogav International Oil & Gas Training Center,2020-06-29 The job interview is probably the most important step you will take in your job search journey Because it s always important to be prepared to respond effectively to the questions that employers typically ask at a job interview Petrogav International has prepared this eBooks that will help you to get a job in oil and gas industry Since these questions are so common hiring managers will expect you to be able to answer them smoothly and without hesitation This eBook contains 200 questions and answers for job interview and as a BONUS web addresses to 309 video movies for a better understanding of the technological process This course covers aspects like HSE Process Mechanical Electrical and Instrumentation Control that will enable you to apply for any position in the Oil and Gas Industry **273 technical**

questions and answers for job interview Offshore Oil & Gas Platforms Petrogav International Oil & Gas Training Center,2020-06-29 The job interview is probably the most important step you will take in your job search journey Because it s always important to be prepared to respond effectively to the questions that employers typically ask at a job interview Petrogav International has prepared this eBooks that will help you to get a job in oil and gas industry Since these questions are so common hiring managers will expect you to be able to answer them smoothly and without hesitation This eBook contains 273 questions and answers for job interview and as a BONUS web addresses to 218 video movies for a better understanding of the technological process This course covers aspects like HSE Process Mechanical Electrical and Instrumentation Control that will enable you to apply for any position in the Oil and Gas Industry **Technical questions and answers for job interview Offshore Oil & Gas Rigs** Petrogav International Oil & Gas Training Center,2020-06-29 The job interview is probably the most important step you will take in your job search journey Because it s always important to be prepared to respond effectively to the questions that employers typically ask at a job interview Petrogav International has

prepared this eBooks that will help you to get a job in oil and gas industry Since these questions are so common hiring managers will expect you to be able to answer them smoothly and without hesitation This eBook contains 273 questions and answers for job interview and as a BONUS web addresses to 218 video movies for a better understanding of the technological process This course covers aspects like HSE Process Mechanical Electrical and Instrumentation Control that will enable you to apply for any position in the Oil and Gas Industry

150 technical questions and answers for job interview Offshore Oil & Gas Platforms Petrogav International Oil & Gas Training Center,2020-06-30 The job interview is probably the most important step you will take in your job search journey Because it s always important to be prepared to respond effectively to the questions that employers typically ask at a job interview Petrogav International has prepared this eBooks that will help you to get a job in oil and gas industry Since these questions are so common hiring managers will expect you to be able to answer them smoothly and without hesitation This eBook contains 150 questions and answers for job interview and as a BONUS web addresses to 220 video movies for a better understanding of the technological process This course covers aspects like HSE Process Mechanical Electrical and Instrumentation Control that will enable you to apply for any position in the Oil and Gas Industry

273 technical questions and answers for job interview Offshore Oil & Gas Platforms PETROGAV INTERNATIONAL, This book offers you a brief but very involved look into the operations in the exploitation of Oil Gas wells that will help you to be prepared for job interview at oil gas companies From start to finish you ll see a general prognosis of the production process If you are new to the oil gas industry you ll enjoy having a leg up with the knowledge of these processes If you are a seasoned oil gas person you ll enjoy reading what you may or may not know in these pages This course provides a non technical overview of the phases operations and terminology used on offshore production platforms It is intended also for non drilling personnel who work in the offshore drilling exploration and production industry This includes marine and logistics personnel accounting administrative and support staff environmental professionals etc No prior experience or knowledge of drilling operations is required This course will provide participants a better understanding of the issues faced in all aspects of drilling operations with a particular focus on the unique aspects of offshore operations

200 technical questions and answers for job interview Offshore Oil & Gas Rigs Petrogav International Oil & Gas Training Center,2020-06-30 The job interview is probably the most important step you will take in your job search journey Because it s always important to be prepared to respond effectively to the questions that employers typically ask at a job interview Petrogav International has prepared this eBooks that will help you to get a job in oil and gas industry Since these questions are so common hiring managers will expect you to be able to answer them smoothly and without hesitation This eBook contains 200 questions and answers for job interview and as a BONUS web addresses to 230 video movies for a better understanding of the technological process This course covers aspects like HSE Process Mechanical Electrical and Instrumentation Control that will enable you to apply for any position in the Oil and Gas Industry

Yeah, reviewing a ebook **Structural Geology Question Answer** could be credited with your close friends listings. This is just one of the solutions for you to be successful. As understood, success does not suggest that you have extraordinary points.

Comprehending as competently as covenant even more than additional will have enough money each success. next to, the notice as capably as keenness of this Structural Geology Question Answer can be taken as with ease as picked to act.

<https://about.livewellcolorado.org/results/detail/fetch.php/texas%20geometry%20apex%20answers.pdf>

Table of Contents Structural Geology Question Answer

1. Understanding the eBook Structural Geology Question Answer
 - The Rise of Digital Reading Structural Geology Question Answer
 - Advantages of eBooks Over Traditional Books
2. Identifying Structural Geology Question Answer
 - Exploring Different Genres
 - Considering Fiction vs. Non-Fiction
 - Determining Your Reading Goals
3. Choosing the Right eBook Platform
 - Popular eBook Platforms
 - Features to Look for in an Structural Geology Question Answer
 - User-Friendly Interface
4. Exploring eBook Recommendations from Structural Geology Question Answer
 - Personalized Recommendations
 - Structural Geology Question Answer User Reviews and Ratings
 - Structural Geology Question Answer and Bestseller Lists
5. Accessing Structural Geology Question Answer Free and Paid eBooks
 - Structural Geology Question Answer Public Domain eBooks
 - Structural Geology Question Answer eBook Subscription Services

- Structural Geology Question Answer Budget-Friendly Options
- 6. Navigating Structural Geology Question Answer eBook Formats
 - ePub, PDF, MOBI, and More
 - Structural Geology Question Answer Compatibility with Devices
 - Structural Geology Question Answer Enhanced eBook Features
- 7. Enhancing Your Reading Experience
 - Adjustable Fonts and Text Sizes of Structural Geology Question Answer
 - Highlighting and Note-Taking Structural Geology Question Answer
 - Interactive Elements Structural Geology Question Answer
- 8. Staying Engaged with Structural Geology Question Answer
 - Joining Online Reading Communities
 - Participating in Virtual Book Clubs
 - Following Authors and Publishers Structural Geology Question Answer
- 9. Balancing eBooks and Physical Books Structural Geology Question Answer
 - Benefits of a Digital Library
 - Creating a Diverse Reading Collection Structural Geology Question Answer
- 10. Overcoming Reading Challenges
 - Dealing with Digital Eye Strain
 - Minimizing Distractions
 - Managing Screen Time
- 11. Cultivating a Reading Routine Structural Geology Question Answer
 - Setting Reading Goals Structural Geology Question Answer
 - Carving Out Dedicated Reading Time
- 12. Sourcing Reliable Information of Structural Geology Question Answer
 - Fact-Checking eBook Content of Structural Geology Question Answer
 - Distinguishing Credible Sources
- 13. Promoting Lifelong Learning
 - Utilizing eBooks for Skill Development
 - Exploring Educational eBooks
- 14. Embracing eBook Trends

- Integration of Multimedia Elements
- Interactive and Gamified eBooks

Structural Geology Question Answer Introduction

In today's digital age, the availability of Structural Geology Question Answer books and manuals for download has revolutionized the way we access information. Gone are the days of physically flipping through pages and carrying heavy textbooks or manuals. With just a few clicks, we can now access a wealth of knowledge from the comfort of our own homes or on the go. This article will explore the advantages of Structural Geology Question Answer books and manuals for download, along with some popular platforms that offer these resources. One of the significant advantages of Structural Geology Question Answer books and manuals for download is the cost-saving aspect. Traditional books and manuals can be costly, especially if you need to purchase several of them for educational or professional purposes. By accessing Structural Geology Question Answer versions, you eliminate the need to spend money on physical copies. This not only saves you money but also reduces the environmental impact associated with book production and transportation. Furthermore, Structural Geology Question Answer books and manuals for download are incredibly convenient. With just a computer or smartphone and an internet connection, you can access a vast library of resources on any subject imaginable. Whether you're a student looking for textbooks, a professional seeking industry-specific manuals, or someone interested in self-improvement, these digital resources provide an efficient and accessible means of acquiring knowledge. Moreover, PDF books and manuals offer a range of benefits compared to other digital formats. PDF files are designed to retain their formatting regardless of the device used to open them. This ensures that the content appears exactly as intended by the author, with no loss of formatting or missing graphics. Additionally, PDF files can be easily annotated, bookmarked, and searched for specific terms, making them highly practical for studying or referencing. When it comes to accessing Structural Geology Question Answer books and manuals, several platforms offer an extensive collection of resources. One such platform is Project Gutenberg, a nonprofit organization that provides over 60,000 free eBooks. These books are primarily in the public domain, meaning they can be freely distributed and downloaded. Project Gutenberg offers a wide range of classic literature, making it an excellent resource for literature enthusiasts. Another popular platform for Structural Geology Question Answer books and manuals is Open Library. Open Library is an initiative of the Internet Archive, a non-profit organization dedicated to digitizing cultural artifacts and making them accessible to the public. Open Library hosts millions of books, including both public domain works and contemporary titles. It also allows users to borrow digital copies of certain books for a limited period, similar to a library lending system. Additionally, many universities and educational institutions have their own digital libraries that provide free access to PDF books and manuals. These libraries often offer academic texts, research papers, and technical manuals,

making them invaluable resources for students and researchers. Some notable examples include MIT OpenCourseWare, which offers free access to course materials from the Massachusetts Institute of Technology, and the Digital Public Library of America, which provides a vast collection of digitized books and historical documents. In conclusion, Structural Geology Question Answer books and manuals for download have transformed the way we access information. They provide a cost-effective and convenient means of acquiring knowledge, offering the ability to access a vast library of resources at our fingertips. With platforms like Project Gutenberg, Open Library, and various digital libraries offered by educational institutions, we have access to an ever-expanding collection of books and manuals. Whether for educational, professional, or personal purposes, these digital resources serve as valuable tools for continuous learning and self-improvement. So why not take advantage of the vast world of Structural Geology Question Answer books and manuals for download and embark on your journey of knowledge?

FAQs About Structural Geology Question Answer Books

How do I know which eBook platform is the best for me? Finding the best eBook platform depends on your reading preferences and device compatibility. Research different platforms, read user reviews, and explore their features before making a choice. Are free eBooks of good quality? Yes, many reputable platforms offer high-quality free eBooks, including classics and public domain works. However, make sure to verify the source to ensure the eBook credibility. Can I read eBooks without an eReader? Absolutely! Most eBook platforms offer web-based readers or mobile apps that allow you to read eBooks on your computer, tablet, or smartphone. How do I avoid digital eye strain while reading eBooks? To prevent digital eye strain, take regular breaks, adjust the font size and background color, and ensure proper lighting while reading eBooks. What the advantage of interactive eBooks? Interactive eBooks incorporate multimedia elements, quizzes, and activities, enhancing the reader engagement and providing a more immersive learning experience. Structural Geology Question Answer is one of the best book in our library for free trial. We provide copy of Structural Geology Question Answer in digital format, so the resources that you find are reliable. There are also many Ebooks of related with Structural Geology Question Answer. Where to download Structural Geology Question Answer online for free? Are you looking for Structural Geology Question Answer PDF? This is definitely going to save you time and cash in something you should think about.

Find Structural Geology Question Answer :

texas geometry apex answers

texas hold em

[test prep pretest cell structure answers](#)

[test bank intermediate accounting 14th edition kieso](#)

[test rousseau route b 2016](#)

[text structure mini lessons for middle school](#)

test papers for standard in mauritius

[test review unit b world history](#)

[texas 191 test](#)

textes fondateurs de la tradition macedilonnaise litterature

[test bank solution manual intermediate accounting](#)

test 6b ap statistics

test e geografis

textbook of veterinary anatomy 3rd edition

tesccc precalculus unit lesson answer key

Structural Geology Question Answer :

malleus maleficarum el martillo de las brujas semantic scholar - Oct 05 2022

web la ilustracion y el iluminismo del siglo de las luces fueron un verdadero icono de las ideas libertarias pero mucho antes el hombre desde que ha querido librarse de opresiones ha respondido al sometimiento rechazando el yugo

[malleus maleficarum el martillo de las brujas fder](#) - Feb 09 2023

web oct 14 2016 la ilustración y el iluminismo del siglo de las luces fueron un verdadero icono de las ideas libertarias pero mucho antes el hombre desde que ha querido librarse de opresiones ha respondido al sometimiento rechazando el yugo

[el malleus maleficarum destino y tarot](#) - Feb 26 2022

web el malleus maleficarum que en del latín se traduce martillo de las brujas es el tratado más importante sobre brujas y demonios el cual se publicó en plena época de persecución de brujas en el renacimiento siglos xv y xvi es considerado un tratado de ciencias ocultas y utilizado con mucho rigor en la caza de brujas en aquella época el malleus

[el martillo de las brujas completo m e t academia edu](#) - Aug 15 2023

web el más famoso de todas los libros sobre brujería malleus maleficarum el martillo de los brujas fue escrito en 1486 por dos monjes dominicos inquisidores a los que el papa inocencio viii concedió la bula summis desiderantes affectibus a través de

malleus maleficarum el martillo de las brujas pensamiento penal - Jun 01 2022

web malleus maleficarum el martillo de las brujas por heinrich kramer por jacobus sprenger malleus descargar archivo comentar Último momento twitter tweets by pensapenal la revista pensamiento penal es una publicación online periódica de la asociación pensamiento penal issn 1853 4554

malleus maleficarum el martillo de los brujos librerías gandhi - Sep 04 2022

web inquisidores de pura cepa al nivel del mismísimo torquemada estos dos monjes dominicos legaron para la posteridad el reflejo de una larga época oscura que dejó un tendal de miedo y sangre de dolor e injusticia tanto en europa como en los territorios pendientes y dependientes de ella

heinrich kramer jacobus sprenger malleus maleficarum - Aug 03 2022

web malleus maleficarum el martillo de los brujos traducción floreal maza 2 3 prologo el más famoso de todas los libros sobre brujería malleus maleficarum el martillo de los brujos fue escrito en 1486 por dos monjes dominicos

malleus maleficarum el martillo de los brujos spa download only - Apr 11 2023

web malleus maleficarum el martillo de los brujos spa book 4 mar 31 2021 2011 reprint of 1913 edition illustrated edition aleister crowley 1875 1947 born edward alexander crowley and also known as both frater perdurabo and the great beast was an influential english occultist mystic and ceremonial magician responsible for founding the

malleus maleficarum el martillo de los brujos goodreads - Mar 10 2023

web malleus maleficarum el martillo de los brujos heinrich kramer jacobus sprenger osvaldo tangir estudio preliminar 3 20 2 350 ratings 319 reviews el más famoso de todos los libros sobre brujería fue escrito en 1486 por dos monjes dominicos

malleus maleficarum la biblia de los cazadores de brujas - Jul 14 2023

web jul 31 2023 manual para cazar brujas en realidad el malleus maleficarum contenía una gran cantidad de material reciclado de libros de demonología tratados inquisitoriales e incluso supersticiones orales como la capacidad de las brujas para volar siendo esta una de las razones principales por las que muchos teólogos lo criticaron por ser poco

el martillo de los brujos malleus maleficarum sobre leyendas - Jan 28 2022

web oct 5 2008 javier gomez pocos libros pueden ser considerados más infames dañinos y mezquinos que éste del que hoy os hablamos el malleus maleficarum el conocido como el martillo de los brujos su lectura produce en primer lugar incredulidad luego espanto indignación y pena

malleus maleficarum wikipedi - Dec 07 2022

web malleus maleficarum ing hexenhammer ya da hammer of witches türkçedeki ismiyle cadı Çekici 1486 yılında dominikan tarikatı rahibi heinrich kramer institoris tarafından yazılmış demonoloji literatürünün en ünlü kitabı 1519 tarihli nürnberg baskısında kitabın yazarları heinrich kramer ve jacob sprenger olarak verilmesine rağmen yapılan son

malleus maleficarum el martillo de los brujos spa pdf - Jul 02 2022

web malleus maleficarum el martillo de los brujos spa cloacas de la historia las fifteenth century studies vol 32 malleus maleficarum fifteenth century studies malleus maleficarum o el martillo de los brujos exorcismos no exorcismo si martillo de las brujas para golpear a las brujas con poderosa maza mitología

pdf malleus maleficarum el martillo de los brujos spa - Dec 27 2021

web malleus maleficarum o el martillo de los brujos aug 04 2022 martillo de las brujas para golpear a las brujas con poderosa maza mar 11 2023 feneis nomenclatura anatómica ilustrada feb 27 2022 memoria mar 19 2021 terapia acupuntural con el martillo de siete puntas jun 02 2022 se describe la terapia con el

malleus maleficarum türk teşvik dergisi - Nov 06 2022

web engizisyonun incili ve avrupa da dini yozlaşmışlığın rehberi malleus maleficarum namıdiğer fenalık edenler Çekici cadılar Çekici veya Şeytan Çekici heinrich kramer ve james sprenger adlı iki rahip tarafından yazılan bu korkunç eser uzun yıllar neredeyse 300 yıl avrupa da kelimenin tam anlamıyla terör estirmiş ve

malleus maleficarum el martillo de las brujas youtube - Mar 30 2022

web el malleus maleficarum o martillo de las brujas es probablemente el libro más importante que se haya publicado en el contexto de la caza de brujas en santa i

malleus maleficarum wikipedia la enciclopedia libre - May 12 2023

web el malleus maleficarum del latín martillo de las brujas es probablemente el tratado más importante que se haya publicado en el contexto de la persecución de brujas en el renacimiento cita requerida fue escrito y compilado por dos monjes dominicos alemanes heinrich kramer y jacob sprenger

malleus maleficarum el martillo de los brujos mAs literatura - Apr 30 2022

web malleus maleficarum el libro contra la brujería más literatura brujería hechicería

malleus maleficarum el martillo de los brujos google books - Jun 13 2023

web sep 6 2020 malleus maleficarum el martillo de los brujos malleus maleficarum heinrich kramer jacobus sprenger editorial verbum sep 6 2020 literary collections 132 pages

malleus maleficarum martillo de las brujas academia edu - Jan 08 2023

web el presente trabajo versa acerca de la magnífica novela de luis de castresana retrato de una bruja editada en 1970 pero que centra su atención en un caso de brujería del siglo xvii poco después del auto de fe de logroño de 1610

we the people 10th edition amazon com - Aug 07 2023

web dec 11 2012 we the people 10th edition by thomas patterson author 4 4 102 ratings see all formats and editions unique to this program is a balanced well respected author who makes complex topics easy tom patterson is a recognized voice in

media who teaches at harvard s kennedy school of government

[erin patterson charged with murder over suspected mushroom](#) - Mar 22 2022

web nov 1 2023 patterson was on thursday charged with murdering gail and don patterson both 70 and her sister heather wilkinson 66 at lunch in her home in the rural australian town of leongatha on 29 july

[we the people patterson thomas 9780073378961](#) - Nov 29 2022

web dec 5 2008 mass market paperback 37 42 2 used from 37 42 2 new from 204 97 multimedia cd 26 65 1 new from 26 65

we the people is a concise yet comprehensive book provides a positive lively future oriented narrative introduction to american government and politics we the people presents material with a currency and relevancy

we the people thomas e patterson scholars at harvard - May 04 2023

web we the people an introduction to american government there are two ways to request a free desk copy of we the people 1 by electronic request see link in the column on the right 2 by calling mcgraw hill at 800 338 3987 ext 3 call m f 8 30 am 5 30 pm et

[books by thomas e patterson author of we the people goodreads](#) - Sep 27 2022

web 1 of 5 stars 2 of 5 stars 3 of 5 stars 4 of 5 stars 5 of 5 stars how america lost its mind the assault on reason that s crippling our democracy volume 15 the julian j rothbaum distinguished lecture series by thomas e patterson 4 06 avg

we the people tenth edition thomas patterson google books - Oct 09 2023

web jan 18 2013 we the people tenth edition author thomas patterson publisher century media records limited 2013 isbn 007782184x 9780077821845 subjects

[we the people thomas e patterson google books](#) - Jul 26 2022

web bibliographic information title we the people author thomas e patterson publisher mcgraw hill education 2001 isbn 0072456019 9780072456011

we the people harvard kennedy school - Mar 02 2023

web citation patterson thomas e we the people 13 mcgraw hill 2019 we the people by thomas patterson is a concise approach to american government emphasizing critical thinking through relevant examples that appeal to today s students

we the people 10th edition thomas e patterson - Apr 03 2023

web we the people 10th edition by thomas e patterson isbn 10 0077649311 isbn 13 9780077649319 mcgraw hill 2013

[we the people patterson thomas 9780073403861](#) - Feb 01 2023

web apr 20 2007 mass market paperback 37 61 2 used from 37 61 2 new from 204 97 multimedia cd 26 65 1 new from 26 65 this concise yet comprehensive book provides a positive lively future oriented narrative introduction to american government and politics

gaza more than 10 000 killed hamas controlled health ministry - Feb 18 2022

web nov 6 2023 more than 10 000 people have been killed in gaza since israel launched its military offensive nearly a month ago the hamas controlled health ministry in the palestinian enclave said monday

[we the people by thomas e patterson open library](#) - Aug 27 2022

web jun 4 2003 imported from amazon com record we the people by thomas e patterson june 4 2003 mcgraw hill humanities social sciences languages edition paperback in english 5 edition

we the people study guide patterson thomas e abebooks - Oct 29 2022

web we the people delves deeper into the basics than most brief books and each of the 17 chapters including 3 policy chapters concludes with a reading selection as well as an extensive bibliography we the people is accompanied by a cd and online learning center that is unsurpassed in american government

we the people patterson thomas e free download borrow - Jun 05 2023

web we the people by patterson thomas e publication date 2013 topics united states politics and government publisher new york mcgraw hill companies

[isbn 9781265636609 we the people 15th edition direct textbook](#) - Apr 22 2022

web searching bookstores for the lowest price ebook find 9781265636609 we the people 15th edition by thomas patterson at over 30 bookstores buy rent or sell

[we the people 10th edition thomas e patterson](#) - Sep 08 2023

web jan 1 2013 we the people 10th edition thomas e patterson on amazon com free shipping on qualifying offers we the people 10th edition

we the people 15th edition mcgraw hill - Jul 06 2023

web all rights reserved get the 15e of we the people by thomas patterson textbook ebook and other options isbn 9781265026684 copyright 2024

amazon com we the people 9781260242928 patterson - Jun 24 2022

web jan 6 2021 we the people captures our vivid world and changing nature of american politics its concise approach exciting interactives and happening narrative promotes the presentation of applicable and relatable examples challenging readers to think critically and construct meaning based on their experiences all the while develops their mindset

we the people by thomas e patterson open library - Dec 31 2022

web may 18 2023 an edition of we the people 2002 we the people an introduction to american government by thomas e patterson 0 ratings 5 want to read 0 currently reading 0 have read we the people edit this edition doesn t have a description yet can you add one publish date 2021

we the people an introduction to american government patterson - May 24 2022

web note access code is not included we the people by thomas patterson is a concise approach to american government emphasizing critical thinking through relevant examples that appeal to today s students this extremely readable program provides opportunities to engage with the political process through tools that help students learn

2 elements of art quizzes questions answers trivia proprofs - Jul 06 2023

web mar 22 2023 elements of art quizzes questions answers welcome to our quizzes on the elements of art in this series we will explore the fundamental building blocks of visual art testing your knowledge and understanding of the various elements that artists use to create captivating works

elements of art 55 plays quizizz - Jun 24 2022

web elements of art quiz for 3rd grade students find other quizzes for arts and more on quizizz for free

quiz 6 the elements of art quiz - Oct 29 2022

web verified questions and answers for quiz 6 the elements of art verified questions and answers for quiz 6 the elements of art ctrl k search questions by image ask a new question quiz 6 the elements of art 70 questions quiz 7 aesthetics 64 questions quiz 8 sensory experiences 72 questions

elements principles of art 107 plays quizizz - Apr 22 2022

web elements principles of art michelle gainey 107 plays 20 questions copy edit show answers see preview multiple choice 30 seconds 1 pt which element of art describes the lightness or darkness in a work of art value shape

test your basic knowledge of art elements and principles - Jun 05 2023

web art elements and principles start test study first subjects art design instructions answer 50 questions in 15 minutes if you are not ready to take this test you can study here match each statement with the correct term don t refresh all questions and answers are randomly picked and ordered every time you load a test

elements of art quiz art quiz obelisk art history - Mar 02 2023

web elements of art quiz 11 questions start quiz more quizzes view all name the artist can you spot who created what when was it made can you guess the century movements of modernism gotta catch em all

elements and principles of art quiz with answers proprofs - Aug 07 2023

web jun 2 2023 check out the informative online quiz designed to assess quiz takers understanding of the elements and principles of art do your personal best to win the highest score read all the questions and answers thoroughly before you answer

quiz worksheet art elements principles study com - Feb 01 2023

web you can answer the questions found in this online quiz and worksheet to go over the major elements and principles of art

use these questions to

elements and principles of art design quiz worksheet - Dec 31 2022

web this quiz worksheet combo will help you test your understanding of those elements and principles of art and design the quiz questions will test you on key terms from the lesson including what is

elements of art 225 plays quizizz - Nov 29 2022

web elements of art quiz for 7th grade students find other quizzes for arts and more on quizizz for free

art multiple choice questions and answers proprofs quiz - Jul 26 2022

web aug 23 2023 can you pass this test of art multiple choice questions and answers this quiz aims to see how well you know the elements of arts and what we need to work on this year please note that all the questions are compulsory

elements of art quizalizer - Apr 03 2023

web 10 questions show answers q1 how many elements are in art 7 5 8 10 30 s q2 what element of art is defined as a tactile quality of an object s surface form line space texture 30 s q3 form can mean several different things in art which one does not apply dependent on another element physical nature three dimensional independent of meaning

enhance your creativity about elements of art trivia quiz - Sep 27 2022

web mar 22 2022 the main elements of art include form shape line color value space and texture the purpose of this quiz is to see how well you know about the elements of the arts and use it in enhancing creativity so let s start off all the best questions and answers 1

7 elements of art 1k plays quizizz - May 04 2023

web 10th 12th 7 elements of art quiz for 6th grade students find other quizzes for arts and more on quizizz for free

elements of art quiz flashcards quizlet - Mar 22 2022

web test match q chat created by keenanlax18 terms in this set 24 the elements of art are the building blocks or ingredients of art they structure and carry the work think ingredients to a chocolate cake what are the 7 elements line shape color value form space texture line a mark with length and direction

elements of art quiz proprofs quiz - Oct 09 2023

web mar 3 2023 welcome to the elements of art quiz students are learning about the seven elements of art during class celebrate your knowledge and see how much you have already learned this quiz is not just your test on this subject but also a portal for learning many things best of luck and have fun

100 art quizzes questions answers trivia proprofs - Aug 27 2022

web oct 13 2023 welcome to the elements of art quiz students are learning about the seven elements of art during class celebrate your knowledge and see how much you have already learned this quiz is not just your test on this subject but also

questions 14 attempts 49921 last updated mar 3 2023 sample question

quiz worksheet seven elements of art study com - Sep 08 2023

web these assessment tools can help test your understanding of the seven elements of art among others some topics on the quiz include examples of a line and the two basic types of textures

quiz elements of art multiple choice questions quiziosity - Feb 18 2022

web jun 23 2020 test yourself and have fun elements of art multiple choice questions quiz this quiz is multiple choice the purpose of this is to see how well you know the elements of arts and to see what we need to work on this year

elements of art quiz flashcards quizlet - May 24 2022

web first quiz of the year learn with flashcards games and more for free expert solutions log in sign up elements of art quiz 3 7 9 reviews flashcards learn test match q chat get a hint elements of art click the card to flip