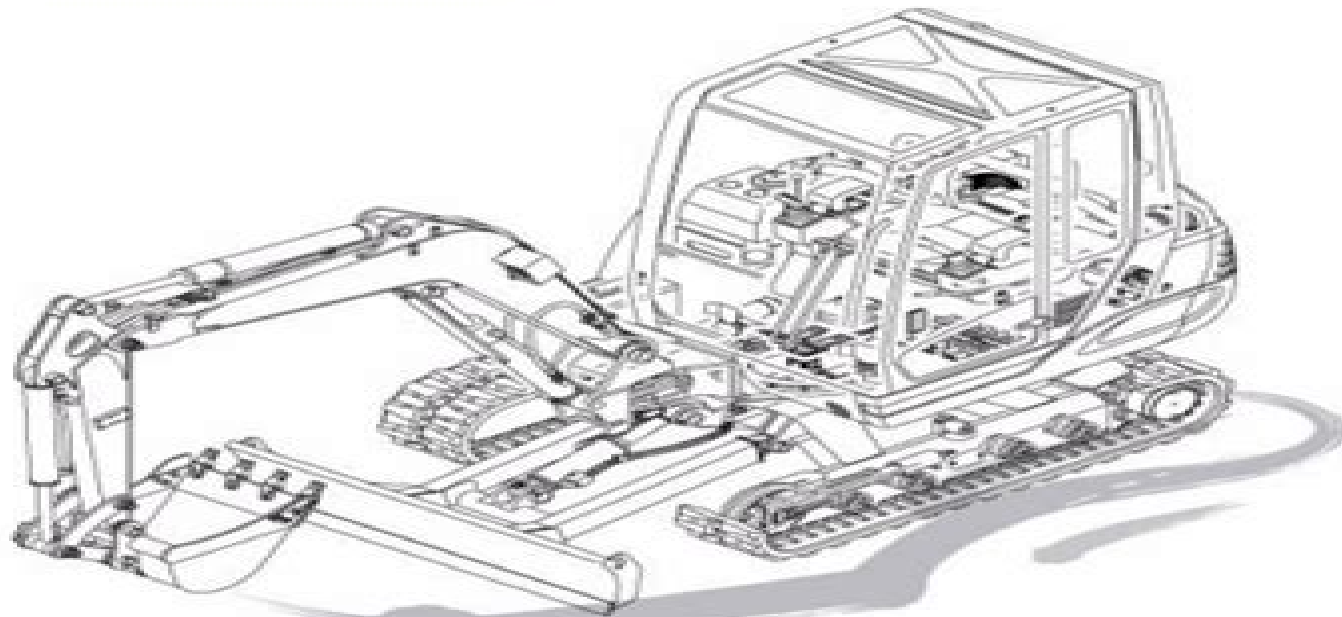


# PARTS MANUAL

## **TB250**

Serial No.125000001~

BK7Z002(P-TB250BAF)



MINI EXCAVATOR

**TAKEUCHI**

# Takeuchi Excavator Parts Catalog Manual Tb25 Tb250

**Pneumafil Corporation**



**Takeuchi Excavator Parts Catalog Manual Tb25 Tb250:**  
**Service Manual and Parts Catalog** Pneumafil Corporation,1931

Embark on a breathtaking journey through nature and adventure with is mesmerizing ebook, **Takeuchi Excavator Parts Catalog Manual Tb25 Tb250** . This immersive experience, available for download in a PDF format ( \*), transports you to the heart of natural marvels and thrilling escapades. Download now and let the adventure begin!

[https://about.livewellcolorado.org/results/Resources/fetch.php/The\\_Great\\_Gatsby\\_Literature\\_Guide\\_2009\\_Secondary\\_Solutions.pdf](https://about.livewellcolorado.org/results/Resources/fetch.php/The_Great_Gatsby_Literature_Guide_2009_Secondary_Solutions.pdf)

## **Table of Contents Takeuchi Excavator Parts Catalog Manual Tb25 Tb250**

1. Understanding the eBook Takeuchi Excavator Parts Catalog Manual Tb25 Tb250
  - The Rise of Digital Reading Takeuchi Excavator Parts Catalog Manual Tb25 Tb250
  - Advantages of eBooks Over Traditional Books
2. Identifying Takeuchi Excavator Parts Catalog Manual Tb25 Tb250
  - Exploring Different Genres
  - Considering Fiction vs. Non-Fiction
  - Determining Your Reading Goals
3. Choosing the Right eBook Platform
  - Popular eBook Platforms
  - Features to Look for in an Takeuchi Excavator Parts Catalog Manual Tb25 Tb250
  - User-Friendly Interface
4. Exploring eBook Recommendations from Takeuchi Excavator Parts Catalog Manual Tb25 Tb250
  - Personalized Recommendations
  - Takeuchi Excavator Parts Catalog Manual Tb25 Tb250 User Reviews and Ratings
  - Takeuchi Excavator Parts Catalog Manual Tb25 Tb250 and Bestseller Lists
5. Accessing Takeuchi Excavator Parts Catalog Manual Tb25 Tb250 Free and Paid eBooks
  - Takeuchi Excavator Parts Catalog Manual Tb25 Tb250 Public Domain eBooks
  - Takeuchi Excavator Parts Catalog Manual Tb25 Tb250 eBook Subscription Services
  - Takeuchi Excavator Parts Catalog Manual Tb25 Tb250 Budget-Friendly Options

6. Navigating Takeuchi Excavator Parts Catalog Manual Tb25 Tb250 eBook Formats
  - ePub, PDF, MOBI, and More
  - Takeuchi Excavator Parts Catalog Manual Tb25 Tb250 Compatibility with Devices
  - Takeuchi Excavator Parts Catalog Manual Tb25 Tb250 Enhanced eBook Features
7. Enhancing Your Reading Experience
  - Adjustable Fonts and Text Sizes of Takeuchi Excavator Parts Catalog Manual Tb25 Tb250
  - Highlighting and Note-Taking Takeuchi Excavator Parts Catalog Manual Tb25 Tb250
  - Interactive Elements Takeuchi Excavator Parts Catalog Manual Tb25 Tb250
8. Staying Engaged with Takeuchi Excavator Parts Catalog Manual Tb25 Tb250
  - Joining Online Reading Communities
  - Participating in Virtual Book Clubs
  - Following Authors and Publishers Takeuchi Excavator Parts Catalog Manual Tb25 Tb250
9. Balancing eBooks and Physical Books Takeuchi Excavator Parts Catalog Manual Tb25 Tb250
  - Benefits of a Digital Library
  - Creating a Diverse Reading Collection Takeuchi Excavator Parts Catalog Manual Tb25 Tb250
10. Overcoming Reading Challenges
  - Dealing with Digital Eye Strain
  - Minimizing Distractions
  - Managing Screen Time
11. Cultivating a Reading Routine Takeuchi Excavator Parts Catalog Manual Tb25 Tb250
  - Setting Reading Goals Takeuchi Excavator Parts Catalog Manual Tb25 Tb250
  - Carving Out Dedicated Reading Time
12. Sourcing Reliable Information of Takeuchi Excavator Parts Catalog Manual Tb25 Tb250
  - Fact-Checking eBook Content of Takeuchi Excavator Parts Catalog Manual Tb25 Tb250
  - Distinguishing Credible Sources
13. Promoting Lifelong Learning
  - Utilizing eBooks for Skill Development
  - Exploring Educational eBooks
14. Embracing eBook Trends
  - Integration of Multimedia Elements

- Interactive and Gamified eBooks

### **Takeuchi Excavator Parts Catalog Manual Tb25 Tb250 Introduction**

Takeuchi Excavator Parts Catalog Manual Tb25 Tb250 Offers over 60,000 free eBooks, including many classics that are in the public domain. Open Library: Provides access to over 1 million free eBooks, including classic literature and contemporary works. Takeuchi Excavator Parts Catalog Manual Tb25 Tb250 Offers a vast collection of books, some of which are available for free as PDF downloads, particularly older books in the public domain. Takeuchi Excavator Parts Catalog Manual Tb25 Tb250 : This website hosts a vast collection of scientific articles, books, and textbooks. While it operates in a legal gray area due to copyright issues, its a popular resource for finding various publications. Internet Archive for Takeuchi Excavator Parts Catalog Manual Tb25 Tb250 : Has an extensive collection of digital content, including books, articles, videos, and more. It has a massive library of free downloadable books. Free-eBooks Takeuchi Excavator Parts Catalog Manual Tb25 Tb250 Offers a diverse range of free eBooks across various genres. Takeuchi Excavator Parts Catalog Manual Tb25 Tb250 Focuses mainly on educational books, textbooks, and business books. It offers free PDF downloads for educational purposes. Takeuchi Excavator Parts Catalog Manual Tb25 Tb250 Provides a large selection of free eBooks in different genres, which are available for download in various formats, including PDF. Finding specific Takeuchi Excavator Parts Catalog Manual Tb25 Tb250, especially related to Takeuchi Excavator Parts Catalog Manual Tb25 Tb250, might be challenging as theyre often artistic creations rather than practical blueprints. However, you can explore the following steps to search for or create your own Online Searches: Look for websites, forums, or blogs dedicated to Takeuchi Excavator Parts Catalog Manual Tb25 Tb250, Sometimes enthusiasts share their designs or concepts in PDF format. Books and Magazines Some Takeuchi Excavator Parts Catalog Manual Tb25 Tb250 books or magazines might include. Look for these in online stores or libraries. Remember that while Takeuchi Excavator Parts Catalog Manual Tb25 Tb250, sharing copyrighted material without permission is not legal. Always ensure youre either creating your own or obtaining them from legitimate sources that allow sharing and downloading. Library Check if your local library offers eBook lending services. Many libraries have digital catalogs where you can borrow Takeuchi Excavator Parts Catalog Manual Tb25 Tb250 eBooks for free, including popular titles. Online Retailers: Websites like Amazon, Google Books, or Apple Books often sell eBooks. Sometimes, authors or publishers offer promotions or free periods for certain books. Authors Website Occasionally, authors provide excerpts or short stories for free on their websites. While this might not be the Takeuchi Excavator Parts Catalog Manual Tb25 Tb250 full book , it can give you a taste of the authors writing style. Subscription Services Platforms like Kindle Unlimited or Scribd offer subscription-based access to a wide range of Takeuchi Excavator Parts Catalog Manual Tb25 Tb250 eBooks, including some popular titles.

## FAQs About Takeuchi Excavator Parts Catalog Manual Tb25 Tb250 Books

How do I know which eBook platform is the best for me? Finding the best eBook platform depends on your reading preferences and device compatibility. Research different platforms, read user reviews, and explore their features before making a choice. Are free eBooks of good quality? Yes, many reputable platforms offer high-quality free eBooks, including classics and public domain works. However, make sure to verify the source to ensure the eBook credibility. Can I read eBooks without an eReader? Absolutely! Most eBook platforms offer web-based readers or mobile apps that allow you to read eBooks on your computer, tablet, or smartphone. How do I avoid digital eye strain while reading eBooks? To prevent digital eye strain, take regular breaks, adjust the font size and background color, and ensure proper lighting while reading eBooks. What the advantage of interactive eBooks? Interactive eBooks incorporate multimedia elements, quizzes, and activities, enhancing the reader engagement and providing a more immersive learning experience. Takeuchi Excavator Parts Catalog Manual Tb25 Tb250 is one of the best book in our library for free trial. We provide copy of Takeuchi Excavator Parts Catalog Manual Tb25 Tb250 in digital format, so the resources that you find are reliable. There are also many Ebooks of related with Takeuchi Excavator Parts Catalog Manual Tb25 Tb250. Where to download Takeuchi Excavator Parts Catalog Manual Tb25 Tb250 online for free? Are you looking for Takeuchi Excavator Parts Catalog Manual Tb25 Tb250 PDF? This is definitely going to save you time and cash in something you should think about.

### Find Takeuchi Excavator Parts Catalog Manual Tb25 Tb250 :

[the great gatsby literature guide 2009 secondary solutions](#)

[the house of hidden mothers](#)

**the holiday home**

*the glass menagerie essay questions*

**the house of intellect**

[the ghosts of maraval english edition](#)

[the hearts of horses](#)

**the humanistic tradition book medieval europe and the 2**

**the granta book of the african short story**

[the greatest battles in history the battle of verdun](#)

[the grilled cheese cookbook the ultimate guide](#)

[the guide to photovoltaic system installation](#)

**the human tradition in latin america**

the illumination of vivien leigh a time traveller s memoir

the human skeletal system instructional fair

**Takeuchi Excavator Parts Catalog Manual Tb25 Tb250 :**

**crooked river agent pendergast series 19 kağıt kapak** - Jan 29 2023

web crooked river agent pendergast series 19 preston douglas child lincoln amazon com tr kitap

**crooked river agent pendergast series 19 bookscouter** - Dec 28 2022

web feb 3 2020 crooked river agent pendergast series 19 isbn 9781538747254 1538747251 by child lincoln preston douglas buy sell or rent this book for the best price compare prices on bookscouter

**crooked river agent pendergast book 19 english edition** - Jun 02 2023

web crooked river agent pendergast book 19 english edition ebook preston douglas child lincoln amazon de kindle shop

**crooked river agent pendergast book 19 kindle edition** - Mar 31 2023

web crooked river agent pendergast book 19 kindle edition by douglas preston author lincoln child author format kindle edition 4 6 4 6 out of 5 stars 13 759 ratings

**crooked river agent pendergast book 19 kindle edition** - Aug 04 2023

web crooked river agent pendergast book 19 kindle edition by douglas preston author lincoln child author format kindle edition 4 6 13 628 ratings book 19 of 21 pendergast see all formats and editions kindle edition 5 99 read with our free app audiobook 0 00 free with your audible trial a sea of unanswered questions

*crooked river agent pendergast series 19 2020 ebooks* - Jul 23 2022

web jan 25 2022 english september 29 2020 isbn 1538702967 416 pages epub 0 71 mb racing to uncover the mystery of several light green shoe clad severed feet found floating in the gulf of mexico agent pendergast is faced with the most inexplicable challenge of his career in this installment of the 1 nyt bestselling series

**crooked river agent pendergast series 19 amazon com** - May 01 2023

web feb 18 2020 from the 1 new york times bestselling authors racing to uncover the mystery of several severed feet found floating in the gulf of mexico agent pendergast is faced with the most inexplicable challenge of his career a

**crooked river agent pendergast series book 19 english edition** - Sep 24 2022

web feb 4 2020 amazon co jp crooked river agent pendergast series book 19 english edition [] [] [] [] preston douglas child lincoln [] []

crooked river agent pendergast series bk 19 book depot - Nov 26 2022



web in short order pendergast finds himself facing the most complex and inexplicable challenge of his career a tangled thread of evidence that spans seas and traverses continents connected to one of the most baffling mysteries in modern medical science

**crooked river pendergast 19 by douglas preston goodreads** - Sep 05 2023

web feb 4 2020 16 915 ratings 1 528 reviews 1 new york times bestselling authors doug preston and lincoln child return with their next blockbuster pendergast novel as he and junior agent coldmoon race to uncover the mystery of several blue shoe clad severed feet found floating in the atlantic

crooked river agent pendergast series book 19 english edition - Oct 26 2022

web achetez et téléchargez ebook crooked river agent pendergast series book 19 english edition boutique kindle suspense amazon fr

*crooked river pendergast series 19 barnes noble* - Jul 03 2023

web sep 29 2020 from the 1 new york times bestselling authors racing to uncover the mystery of several severed feet found floating in the gulf of mexico agent pendergast is faced with the most inexplicable challenge of his career a

crooked river agent pendergast series 19 amazon com - Jun 21 2022

web feb 4 2020 crooked river agent pendergast series 19 hardcover february 4 2020 by douglas preston author lincoln child author 4 6 4 6 out of 5 stars 14 080 ratings

**crooked river agent pendergast series 19 mitpressbookstore** - Feb 27 2023

web apr 13 2021 crooked river by douglas preston and lincoln child combines a sinister global threat a mystery suing modern medical science and a powerful sadistic antagonist who better than to combat these but unorthodox fbi agent aloysius pendergast this compelling story moves forward in unexpected ways

**crooked river agent pendergast 19 amazon com** - Mar 19 2022

web nov 5 2020 crooked river agent pendergast 19 paperback november 5 2020 by douglas preston author lincoln child author 4 6 4 6 out of 5 stars 14 089 ratings

*download crooked river agent pendergast book 19 english edition* - Aug 24 2022

web crooked river agent pendergast book 19 english edition following you need to earn money out of your ebook crooked river agent pendergast book 19 english edition so you should build ebooks crooked river agent pendergast book 19 english edition quickly if you wish to generate your living this way crooked river agent

**crooked river pendergast book 19 kindle edition amazon com** - Oct 06 2023

web feb 4 2020 from the 1 new york times bestselling authors racing to uncover the mystery of several severed feet found floating in the gulf of mexico agent pendergast is faced with the most inexplicable challenge of his career a

*crooked river agent pendergast book 19 kindle edition* - May 21 2022

web feb 4 2020 *crooked river agent pendergast book 19 kindle edition* by douglas preston author lincoln child author format kindle edition 4 6 4 6 out of 5 stars 14 133 ratings

*crooked river agent pendergast series book 19 kindle edition* - Apr 19 2022

web feb 4 2020 *crooked river agent pendergast series book 19 kindle edition* by preston douglas child lincoln download it once and read it on your kindle device pc phones or tablets use features like bookmarks note taking and highlighting while reading *crooked river agent pendergast series book 19*

**pdf zieh s durch so schaffen sie ihre challenge im ko** - Mar 09 2023

web zieh s durch so schaffen sie ihre challenge im ko 3d research challenges in cultural heritage ii aug 05 2021 this book reflects a current state of the art and future

**zieh s durch so schaffen sie ihre challenge im ko pdf** - Jan 07 2023

web jun 3 2023 *zieh s durch so schaffen sie ihre challenge im ko pdf* when people should go to the books stores search foundation by shop shelf by shelf it is in fact

*zieh s durch so schaffen sie ihre challenge im ko clr imymac* - Mar 29 2022

web zieh s durch so schaffen sie ihre challenge im ko 3 3 sechs musiktheaterwerke detailliert behandelt und verglichen robert der teufel körperliche veränderungen

*free zieh s durch so schaffen sie ihre challenge im ko pdf* - Oct 04 2022

web to this one merely said the *zieh s durch so schaffen sie ihre challenge im ko pdf* is universally compatible afterward any devices to read lies young women believe

*zieh s durch so schaffen sie ihre challenge im kopf im job im* - May 11 2023

web jun 11 2023 *zieh s durch so schaffen sie ihre challenge im kopf im job im leben* by thomas hammermeister so once you need the books speedily you can straight get it

**zieh s durch so schaffen sie ihre challenge im ko pdf pdf** - Feb 08 2023

web zieh s durch so schaffen sie ihre challenge im ko pdf upload betty p grant 1 4 downloaded from voto uncal edu br on august 20 2023 by betty p grant *zieh s durch*

**zieh s durch so schaffen sie ihre challenge im kopf im job im** - Oct 24 2021

web zieh s durch so schaffen sie ihre challenge im kopf im job im leben by thomas hammermeister *zieh s durch rezenion zum buch von thomas hammermeister*

*zieh s durch so schaffen sie ihre challenge im ko copy* - Sep 03 2022

web zieh s durch so schaffen sie ihre challenge im ko das echo metall und erz bürgergehorsam oder freiheitsrecht die

auswirkung der rechtswidrigkeit eines

*zieh s durch so schaffen sie ihre challenge im ko pdf* - Dec 06 2022

web jun 21 2023 zieh s durch so schaffen sie ihre challenge im ko pdf thank you totally much for downloading zieh s durch so schaffen sie ihre challenge im ko

**zieh s durch so schaffen sie ihre challenge im ko giacomo** - Jul 01 2022

web jan 9 2023 you could purchase guide zieh s durch so schaffen sie ihre challenge im ko or get it as soon as feasible you could quickly download this zieh s durch so

**eric silo dahl takes on the beast pizza challenge tenney s** - Dec 26 2021

web rerelease click to retweet this pizza challenge clicktotweet com izy8ki was in sandy utah taking on the beast pizza challenge this pizza challeng

zieh s durch so schaffen sie ihre challenge im ko 2022 - May 31 2022

web belastenden vollziehbaren und wirksamen verwaltungsaktes im verwaltungsakzessorischen umweltstrafrecht vollständigstes französisch deutsches und

*zieh s durch so schaffen sie ihre challenge im ko pdf robert* - Apr 10 2023

web apr 29 2023 zieh s durch so schaffen sie ihre challenge im ko pdf recognizing the quirk ways to get this books zieh s durch so schaffen sie ihre challenge im ko pdf

zieh s durch so schaffen sie ihre challenge im kopf im - Jul 13 2023

web thomas hammermeister zieh s durch so schaffen sie ihre challenge im kopf im job im leben gebundene ausgabe 16 august 2019 von thomas hammermeister autor

zieh s durch so schaffen sie ihre challenge im ko pdf copy - Aug 02 2022

web jun 12 2023 zieh s durch so schaffen sie ihre challenge im ko pdf is available in our digital library an online access to it is set as public so you can download it instantly our

*sürpriz sonlu kim daha challenge beni ezdiler youtube* - Feb 25 2022

web instagram hesaplarımızsevgi yaman instagram com ymn sevgi utm medium copy linkcansu yaman

**zieh s durch so schaffen sie ihre challenge im kopf im job im** - Aug 14 2023

web zieh s durch so schaffen sie ihre challenge im kopf im job im leben hammermeister thomas amazon com tr kitap youtube - Jan 27 2022

web enjoy the videos and music you love upload original content and share it all with friends family and the world on youtube

**ebook zieh s durch so schaffen sie ihre challenge im ko** - Jun 12 2023

web neuen artikel darf sie so richtig in die vollen hauen denn gesucht wird der bad boss 2022 und amber kann es kaum

erwarten sich der sache zu widmen die challenge

[digitalworkgroup skidmore edu](#) - Nov 05 2022

web digitalworkgroup skidmore edu

[zieh s durch so schaffen sie ihre challenge im ko pdf book](#) - Sep 22 2021

web to the statement as without difficulty as keenness of this zieh s durch so schaffen sie ihre challenge im ko pdf can be taken as competently as picked to act improving

**syzu sieh zu miteinander stark challenge hallo ihr** - Nov 24 2021

web 351 views 4 likes 7 loves 5 comments 1 shares facebook watch videos from syzu hallo ihr lieben ich wurde von der wunderbaren thea klar zur

**zieh s durch so schaffen sie ihre challenge im kopf im job im** - Apr 29 2022

web instruction zieh s durch so schaffen sie ihre challenge im kopf im job im leben by thomas hammermeister thank you for retrieving zieh s durch so schaffen sie ihre

**modern abc biology class 11th and 12th pdf download** - Mar 31 2022

web jun 29 2020 modern abc biology class 11th and 12th pdf download class 11th 12th biology notes volume 1 and volume 2 pdf download in english and hindi

[pdf modern abc chemistry physics biology maths for class](#) - Jun 02 2022

web we feel pleasure in bringing out our book modern abc chemistry physics biology and mathematics for class 11 and 12 part i ii and class 12 part i ii examination the book has been thoroughly revised overhauled and prepared strictly according to the latest syllabus and guidelines laid down by c b s e

[modern abc biology for class 12 part i ii books jugaad](#) - Sep 05 2022

web 01 days 23 hrs 59 mins 57 secs sku mbio1203 categories schools class 12 science report abuse description shipping additional information reviews 0 vendor info more products

[modern abc biology for class 12 part i ii kitabkopy](#) - May 01 2022

web modern abc biology for class 12 part i ii my account register account account login customer support 91 84476 45695 sell with us publication s support my account my orders my wishlist returns newsletter edit account change password edit shipping address deal of the day stock clearance

[biology modern abc pdf scribd](#) - Oct 06 2022

web download now of 562 modern ss abc biology class xii 1 tl strictly according to the new syllabus nvtre dr b b arora india s first smart book yy ak sabharwal digital revolution an mbd initiative the first augmented reality app for k 12 education aveitable on moderns

**pdf modern abc chemistry physics biology maths for class** - May 13 2023

web we feel pleasure in bringing out our book modern abc chemistry physics biology and mathematics for class 11 and 12 part i ii and class 12 part i ii examination the book has been thoroughly revised overhauled and prepared strictly according to the latest syllabus and guidelines laid down by c b s e

**modern abc biology class 12 part 1 pdf scribd** - Apr 12 2023

web modern abc biology class 12 part 1 uploaded by lakshmi nagaraj copyright all rights reserved available formats download as pdf txt or read online from scribd flag for inappropriate content download now of 562 subscribe get more here youtu be rf1q1qi7mt8 subscribe get more here youtu be rf1q1qi7mt8

**modern s abc plus of biology class 12 part i ii dr bb arora** - Feb 10 2023

web jan 1 2021 modern s abc of biology for class xi written by very well known authors of the subject is a comprehensive book written in simple language with lucid presentation of subject matter it meets the requirements of senior secondary pre degree students appearing for their board examination and also fulfils the requirement of students

**download modern abc biology class 12 book in 2022** - Jul 03 2022

web modern s abc of biology for class xii written by very well known authors of the subject is a comprehensive book written in simple language with lucid presentation of subject matter it meets the requirements of senior secondary pre degree students appearing for their board examination and also fulfils the requirement of students preparing

**modern s abc of practical biology for class 12 kopykitab** - Jan 09 2023

web buy class 12 modern s abc of practical biology 2020 download 12th class modern s abc of practical book for biology sample pdf by editorial board and get upto 70 off on mrp

*moderns abc plus of biology for class xii part ii kopykitab* - Nov 07 2022

web buy modern abc plus cbse class 12 biology part 2 pdf online get class 12 biology part 2 pdf by dr b b arora and a k sabharwal from mbd group publishers with instant activation

modern abc biology class 12 part 2 pdf scribd - Aug 04 2022

web modern abc biology class 12 part 2 free ebook download as pdf file pdf or read book online for free

modern abc of biology class 12 pdf download part 1 part 2 - Aug 16 2023

web apr 10 2023 the pdf of modern abc of biology class 12 solutions which we re proving today are based on the current cbse syllabus decided by ncert so you can surely use this modern abc biology class 12 pdf for your studies of class 12 or teaching if you re a teacher these books are also useful for the studies of neet

**download modern abc class 12 biology books pdf 2021** - Mar 11 2023

web buy modern abc class 12 biology books pdf for cbse exam 2021 22 get 12th class biology modern abc books with instant

activation to read it anywhere limited offer available hurry

pdf download modern abc biology for class 11 and 12 part - Jan 29 2022

web feb 19 2022 modern abc biology for class 12 part i ii examination 2021 2022 from here you will be able to download modern abc biology for class 11th and 12th part 1 and 2 in pdf for free of cost for you board as well as competitive exam preparation

*modern abc biology class 11th and 12th pdf download* - Jun 14 2023

web dec 18 2021 download modern abc biology class 11 part 1 click here download download modern abc biology class 11 part 2 click here download download modern abc biology class 12 part 1 click here download download modern abc biology class 12 part 2 click here download

*modern abc of biology class xii set of 2 parts with cd* - Feb 27 2022

web modern abc of biology class xii set of 2 parts with cd by a k sabharwal b b arora from flipkart com only genuine products 30 day replacement guarantee free shipping

*download modern abc class 12 books pdf 2021 kopykitab* - Dec 08 2022

web buy modern abc class 12 books pdf for cbse exam 2021 22 get 12th class modern abc books for phsics chemistry biology with instant activation to read it anywhere limited offer available hurry

pdf modern abc biology class 12 part 1 2 jb - Jul 15 2023

web jul 27 2021 modern abc biology is a very interesting book that is based on depth learning it contains ncert exercise questions along with other questions as well moder abc biology is useful for all medical entrances examinations e g aipmt neet aiims jipmer etc modern abc biology for class 12 part 1 2 examination 2021 22

**modern s abc plus of biology class xii part ii pdf download** - Dec 28 2021

web feb 13 2023 modern abc of biology class 12 pdf part 2 is available here this book is specially designed for competitive examination like neet and also very useful for board exams any student who are preparing for their neet exam or class 12th board exam such types of student can prefer this book