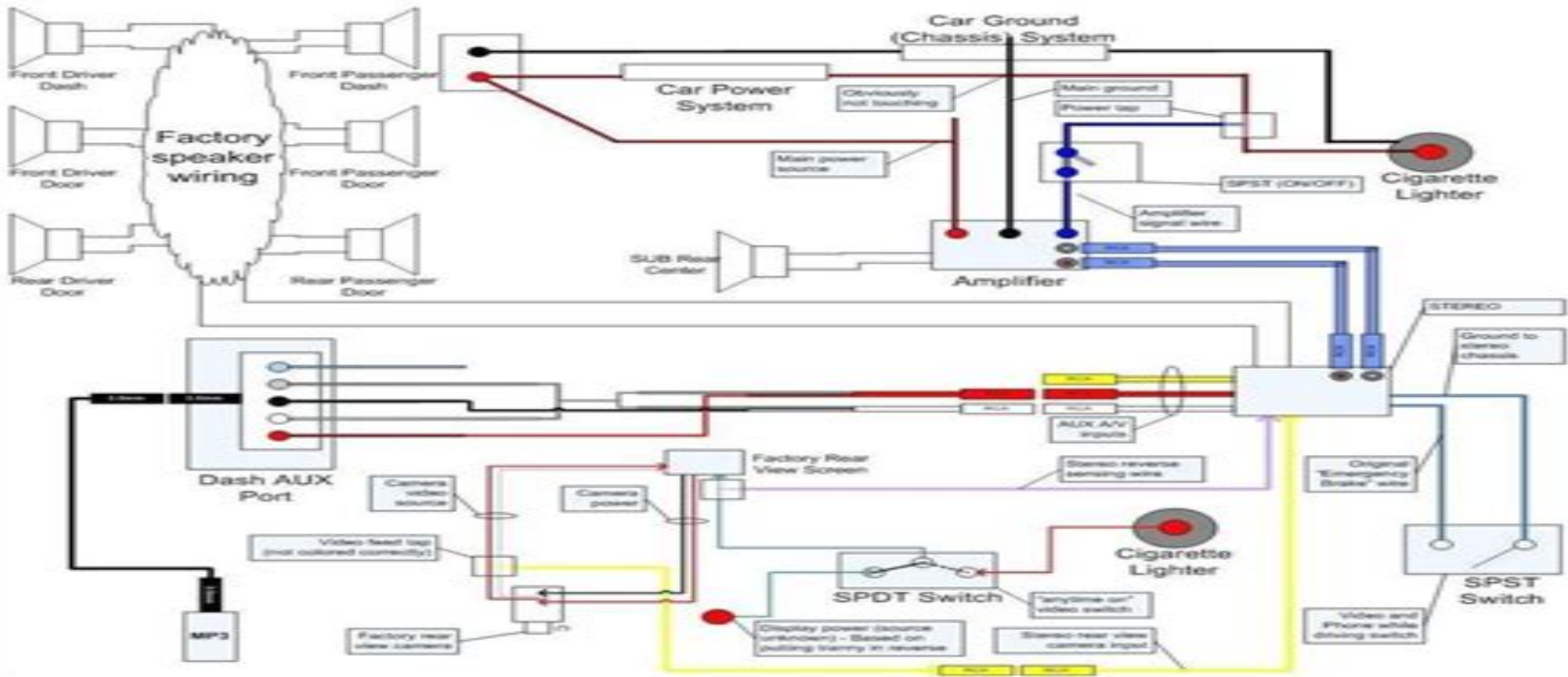
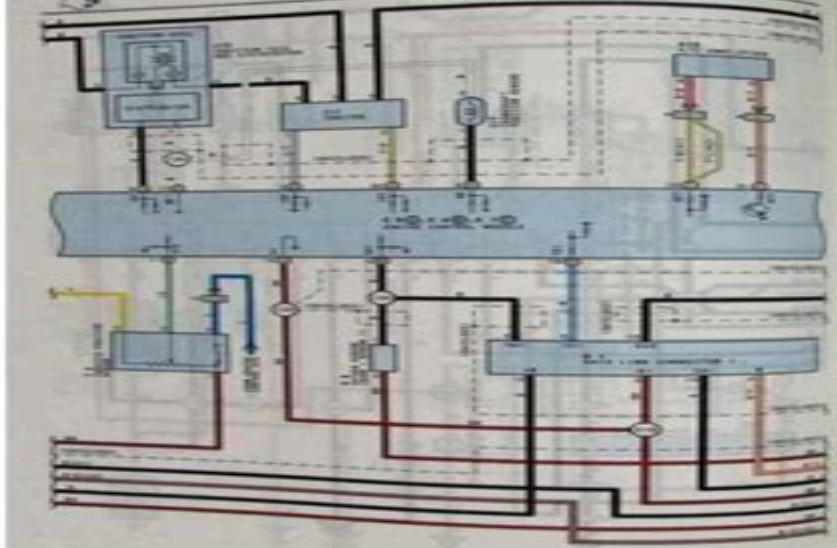


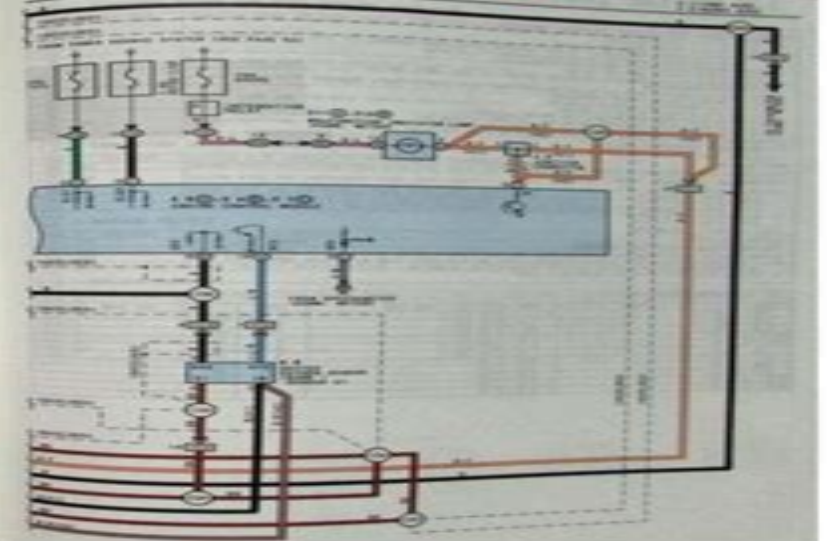
# TOYOTA COROLLA ELECTRIC WIRING DIAGRAM



## 4A-FE M/T



## Engine Control



# Wiring Diagram 4afe A T

**M Walker**



## **Wiring Diagram 4afe A T:**

Modern Wiring Diagrams and Descriptions Henry Charles Horstmann, Victor Hugo Tousley, 1918      *Wiring Diagrams for Light and Power* Edwin P. Anderson, 1975      *Wiring Diagrams of Electrical Apparatus and Installations*, 1913

**Electric-wiring** Newton Harrison, 1906      *Audels Wiring Diagrams for Light and Power* Edwin P. Anderson, 1943

*Modern Wiring Diagrams and Descriptions* Victor Hugo Tousley, Henry Charles Horstmann, 2015-08-08 This work has been selected by scholars as being culturally important and is part of the knowledge base of civilization as we know it This work was reproduced from the original artifact and remains as true to the original work as possible Therefore you will see the original copyright references library stamps as most of these works have been housed in our most important libraries around the world and other notations in the work This work is in the public domain in the United States of America and possibly other nations Within the United States you may freely copy and distribute this work as no entity individual or corporate has a copyright on the body of the work As a reproduction of a historical artifact this work may contain missing or blurred pages poor pictures errant marks etc Scholars believe and we concur that this work is important enough to be preserved reproduced and made generally available to the public We appreciate your support of the preservation process and thank you for being an important part of keeping this knowledge alive and relevant      **Audel's Wiring Diagrams for Light and Power** Edwin P. Anderson, 1945

Wiring Diagrams Of Electrical Apparatus And Installations McGraw-Hill, 2023-07-18 Gain a comprehensive understanding of wiring diagrams for electrical apparatus and installations with this concise and easy to use reference guide This work has been selected by scholars as being culturally important and is part of the knowledge base of civilization as we know it This work is in the public domain in the United States of America and possibly other nations Within the United States you may freely copy and distribute this work as no entity individual or corporate has a copyright on the body of the work Scholars believe and we concur that this work is important enough to be preserved reproduced and made generally available to the public We appreciate your support of the preservation process and thank you for being an important part of keeping this knowledge alive and relevant      *Electric-wiring Diagrams* R. H. Ladley, 1967      *Modern Wiring Diagrams and Descriptions* Victor Hugo Tousley, Henry Charles Horstmann, 2015-02-08 This work has been selected by scholars as being culturally important and is part of the knowledge base of civilization as we know it This work was reproduced from the original artifact and remains as true to the original work as possible Therefore you will see the original copyright references library stamps as most of these works have been housed in our most important libraries around the world and other notations in the work This work is in the public domain in the United States of America and possibly other nations Within the United States you may freely copy and distribute this work as no entity individual or corporate has a copyright on the body of the work As a reproduction of a historical artifact this work may contain missing or blurred pages poor pictures errant marks etc Scholars believe and we concur that this work is important enough to be preserved

reproduced and made generally available to the public We appreciate your support of the preservation process and thank you for being an important part of keeping this knowledge alive and relevant *Electric-Wiring, Diagrams and Switchboards*

Newton Harrison,2018-02-05 This work has been selected by scholars as being culturally important and is part of the knowledge base of civilization as we know it This work was reproduced from the original artifact and remains as true to the original work as possible Therefore you will see the original copyright references library stamps as most of these works have been housed in our most important libraries around the world and other notations in the work This work is in the public domain in the United States of America and possibly other nations Within the United States you may freely copy and distribute this work as no entity individual or corporate has a copyright on the body of the work As a reproduction of a historical artifact this work may contain missing or blurred pages poor pictures errant marks etc Scholars believe and we concur that this work is important enough to be preserved reproduced and made generally available to the public We appreciate your support of the preservation process and thank you for being an important part of keeping this knowledge alive and relevant *Modern Wiring Diagrams and Descriptions* Victor Hugo Tousley, Henry Charles Horstmann,2014-02

This is a reproduction of a book published before 1923 This book may have occasional imperfections such as missing or blurred pages poor pictures errant marks etc that were either part of the original artifact or were introduced by the scanning process We believe this work is culturally important and despite the imperfections have elected to bring it back into print as part of our continuing commitment to the preservation of printed works worldwide We appreciate your understanding of the imperfections in the preservation process and hope you enjoy this valuable book **Step by Step Guide Books on Home**

**Wiring Diagrams** Ray McReynolds, Step By Step Guide Book Co,1982-01-01 **Power Wiring Diagrams** A. T. Dover,1917

**Electric-Wiring** Newton Harrison,2015-09-01 This work has been selected by scholars as being culturally important and is part of the knowledge base of civilization as we know it This work was reproduced from the original artifact and remains as true to the original work as possible Therefore you will see the original copyright references library stamps as most of these works have been housed in our most important libraries around the world and other notations in the work This work is in the public domain in the United States of America and possibly other nations Within the United States you may freely copy and distribute this work as no entity individual or corporate has a copyright on the body of the work As a reproduction of a historical artifact this work may contain missing or blurred pages poor pictures errant marks etc Scholars believe and we concur that this work is important enough to be preserved reproduced and made generally available to the public We appreciate your support of the preservation process and thank you for being an important part of keeping this knowledge alive and relevant **Power Wiring Diagrams** Alfred Thomas Dover,1924 *Boyce's Wiring Diagram Manual: Mitsubishi*

*TE MAGNA 2.4L, Mitsubishi TE MAGNA 3.0L, Mitsubishi TF MAGNA 2.4L, Mitsubishi TF MAGNA 3.0L, Mitsubishi KE VERADA 3.5L, Mitsubishi KF VERADA 3.5L* ,2001 *Modern Wiring Diagrams and Descriptions* Henry Charles

Horstmann,Victor Hugo Tousley,1904      **Boyce's Wiring Diagram Manual: Selected models from the following manufactures, Chrysler, Daewoo, Ford, Holden, Honda, Hyundai, Jeep, Mitsubishi, Subaru, Suzuki, Toyota ,2001**  
**Electric Wiring Diagrams & Switchboards** Newton Harrison,1920

If you ally need such a referred **Wiring Diagram 4afe A T** ebook that will have the funds for you worth, acquire the extremely best seller from us currently from several preferred authors. If you desire to humorous books, lots of novels, tale, jokes, and more fictions collections are as well as launched, from best seller to one of the most current released.

You may not be perplexed to enjoy all ebook collections Wiring Diagram 4afe A T that we will extremely offer. It is not in this area the costs. Its approximately what you craving currently. This Wiring Diagram 4afe A T, as one of the most enthusiastic sellers here will no question be in the middle of the best options to review.

<https://about.livewellcolorado.org/files/virtual-library/fetch.php/manual%20for%20bissell%20proheat%20powersteamer.pdf>

## **Table of Contents Wiring Diagram 4afe A T**

1. Understanding the eBook Wiring Diagram 4afe A T
  - The Rise of Digital Reading Wiring Diagram 4afe A T
  - Advantages of eBooks Over Traditional Books
2. Identifying Wiring Diagram 4afe A T
  - Exploring Different Genres
  - Considering Fiction vs. Non-Fiction
  - Determining Your Reading Goals
3. Choosing the Right eBook Platform
  - Popular eBook Platforms
  - Features to Look for in an Wiring Diagram 4afe A T
  - User-Friendly Interface
4. Exploring eBook Recommendations from Wiring Diagram 4afe A T
  - Personalized Recommendations
  - Wiring Diagram 4afe A T User Reviews and Ratings
  - Wiring Diagram 4afe A T and Bestseller Lists
5. Accessing Wiring Diagram 4afe A T Free and Paid eBooks

- Wiring Diagram 4afe A T Public Domain eBooks
  - Wiring Diagram 4afe A T eBook Subscription Services
  - Wiring Diagram 4afe A T Budget-Friendly Options
6. Navigating Wiring Diagram 4afe A T eBook Formats
    - ePub, PDF, MOBI, and More
    - Wiring Diagram 4afe A T Compatibility with Devices
    - Wiring Diagram 4afe A T Enhanced eBook Features
  7. Enhancing Your Reading Experience
    - Adjustable Fonts and Text Sizes of Wiring Diagram 4afe A T
    - Highlighting and Note-Taking Wiring Diagram 4afe A T
    - Interactive Elements Wiring Diagram 4afe A T
  8. Staying Engaged with Wiring Diagram 4afe A T
    - Joining Online Reading Communities
    - Participating in Virtual Book Clubs
    - Following Authors and Publishers Wiring Diagram 4afe A T
  9. Balancing eBooks and Physical Books Wiring Diagram 4afe A T
    - Benefits of a Digital Library
    - Creating a Diverse Reading Collection Wiring Diagram 4afe A T
  10. Overcoming Reading Challenges
    - Dealing with Digital Eye Strain
    - Minimizing Distractions
    - Managing Screen Time
  11. Cultivating a Reading Routine Wiring Diagram 4afe A T
    - Setting Reading Goals Wiring Diagram 4afe A T
    - Carving Out Dedicated Reading Time
  12. Sourcing Reliable Information of Wiring Diagram 4afe A T
    - Fact-Checking eBook Content of Wiring Diagram 4afe A T
    - Distinguishing Credible Sources
  13. Promoting Lifelong Learning
    - Utilizing eBooks for Skill Development

- Exploring Educational eBooks
14. Embracing eBook Trends
- Integration of Multimedia Elements
  - Interactive and Gamified eBooks

### **Wiring Diagram 4afe A T Introduction**

In today's digital age, the availability of Wiring Diagram 4afe A T books and manuals for download has revolutionized the way we access information. Gone are the days of physically flipping through pages and carrying heavy textbooks or manuals. With just a few clicks, we can now access a wealth of knowledge from the comfort of our own homes or on the go. This article will explore the advantages of Wiring Diagram 4afe A T books and manuals for download, along with some popular platforms that offer these resources. One of the significant advantages of Wiring Diagram 4afe A T books and manuals for download is the cost-saving aspect. Traditional books and manuals can be costly, especially if you need to purchase several of them for educational or professional purposes. By accessing Wiring Diagram 4afe A T versions, you eliminate the need to spend money on physical copies. This not only saves you money but also reduces the environmental impact associated with book production and transportation. Furthermore, Wiring Diagram 4afe A T books and manuals for download are incredibly convenient. With just a computer or smartphone and an internet connection, you can access a vast library of resources on any subject imaginable. Whether you're a student looking for textbooks, a professional seeking industry-specific manuals, or someone interested in self-improvement, these digital resources provide an efficient and accessible means of acquiring knowledge. Moreover, PDF books and manuals offer a range of benefits compared to other digital formats. PDF files are designed to retain their formatting regardless of the device used to open them. This ensures that the content appears exactly as intended by the author, with no loss of formatting or missing graphics. Additionally, PDF files can be easily annotated, bookmarked, and searched for specific terms, making them highly practical for studying or referencing. When it comes to accessing Wiring Diagram 4afe A T books and manuals, several platforms offer an extensive collection of resources. One such platform is Project Gutenberg, a nonprofit organization that provides over 60,000 free eBooks. These books are primarily in the public domain, meaning they can be freely distributed and downloaded. Project Gutenberg offers a wide range of classic literature, making it an excellent resource for literature enthusiasts. Another popular platform for Wiring Diagram 4afe A T books and manuals is Open Library. Open Library is an initiative of the Internet Archive, a non-profit organization dedicated to digitizing cultural artifacts and making them accessible to the public. Open Library hosts millions of books, including both public domain works and contemporary titles. It also allows users to borrow digital copies of certain books for a limited period, similar to a library lending system. Additionally, many universities and educational institutions have their own digital



libraries that provide free access to PDF books and manuals. These libraries often offer academic texts, research papers, and technical manuals, making them invaluable resources for students and researchers. Some notable examples include MIT OpenCourseWare, which offers free access to course materials from the Massachusetts Institute of Technology, and the Digital Public Library of America, which provides a vast collection of digitized books and historical documents. In conclusion, Wiring Diagram 4afe A T books and manuals for download have transformed the way we access information. They provide a cost-effective and convenient means of acquiring knowledge, offering the ability to access a vast library of resources at our fingertips. With platforms like Project Gutenberg, Open Library, and various digital libraries offered by educational institutions, we have access to an ever-expanding collection of books and manuals. Whether for educational, professional, or personal purposes, these digital resources serve as valuable tools for continuous learning and self-improvement. So why not take advantage of the vast world of Wiring Diagram 4afe A T books and manuals for download and embark on your journey of knowledge?

### **FAQs About Wiring Diagram 4afe A T Books**

1. Where can I buy Wiring Diagram 4afe A T books? Bookstores: Physical bookstores like Barnes & Noble, Waterstones, and independent local stores. Online Retailers: Amazon, Book Depository, and various online bookstores offer a wide range of books in physical and digital formats.
2. What are the different book formats available? Hardcover: Sturdy and durable, usually more expensive. Paperback: Cheaper, lighter, and more portable than hardcovers. E-books: Digital books available for e-readers like Kindle or software like Apple Books, Kindle, and Google Play Books.
3. How do I choose a Wiring Diagram 4afe A T book to read? Genres: Consider the genre you enjoy (fiction, non-fiction, mystery, sci-fi, etc.). Recommendations: Ask friends, join book clubs, or explore online reviews and recommendations. Author: If you like a particular author, you might enjoy more of their work.
4. How do I take care of Wiring Diagram 4afe A T books? Storage: Keep them away from direct sunlight and in a dry environment. Handling: Avoid folding pages, use bookmarks, and handle them with clean hands. Cleaning: Gently dust the covers and pages occasionally.
5. Can I borrow books without buying them? Public Libraries: Local libraries offer a wide range of books for borrowing. Book Swaps: Community book exchanges or online platforms where people exchange books.
6. How can I track my reading progress or manage my book collection? Book Tracking Apps: Goodreads, LibraryThing,

and Book Catalogue are popular apps for tracking your reading progress and managing book collections. Spreadsheets: You can create your own spreadsheet to track books read, ratings, and other details.

7. What are Wiring Diagram 4afe A T audiobooks, and where can I find them? Audiobooks: Audio recordings of books, perfect for listening while commuting or multitasking. Platforms: Audible, LibriVox, and Google Play Books offer a wide selection of audiobooks.
8. How do I support authors or the book industry? Buy Books: Purchase books from authors or independent bookstores. Reviews: Leave reviews on platforms like Goodreads or Amazon. Promotion: Share your favorite books on social media or recommend them to friends.
9. Are there book clubs or reading communities I can join? Local Clubs: Check for local book clubs in libraries or community centers. Online Communities: Platforms like Goodreads have virtual book clubs and discussion groups.
10. Can I read Wiring Diagram 4afe A T books for free? Public Domain Books: Many classic books are available for free as they're in the public domain. Free E-books: Some websites offer free e-books legally, like Project Gutenberg or Open Library.

## Find Wiring Diagram 4afe A T :

### **manual for bissell proheat powersteamer**

[83 ford mustang gt owners manual](#)

[economics march common test 2014 grade 12 question paper](#)

### **historic san francisco**

[link belt crane lattice boom inspection manual](#)

### **takeuchi tb108 compact excavator parts manual sn 10820001 and up**

### **1997 ford e 350 service manual**

[operating instructions garmin zumo 660](#)

[700 answer key study guide 239382](#)

### **sociological theory george ritzer 8th edition**

[97 mustang gt fuse box](#)

### **1989 chevy s10 blazer repair manual**

[mercruiser alpha one 230 service manual](#)

[lamborghini murcielago service repair manual 2002 2003](#)

## 20kenworth t6wiring diagram

### Wiring Diagram 4afe A T :

(ADOS®-2) Autism Diagnostic Observation Schedule, ... Autism Diagnostic Observation Schedule, Second Edition (ADOS-2) accurately assesses ASD across age, developmental level & language skills. Buy today! Autism Diagnostic Observation Schedule - Second Edition ADOS-2 manual. Accurately assess and diagnose autism spectrum disorders across age, developmental level, and language skills. ADOS-2 manual. Choose from our ... ADOS-2 - Autism Diagnostic Observation Schedule, 2nd ... Like its predecessor, the ADOS, ADOS-2 is a semi-structured, standardised assessment of communication, social interaction, play, and restricted and repetitive ... ADOS 2 Manual - ACER Shop The Autism Diagnostic Observation Schedule - Second Edition (ADOS-2) is a semistructured, standardised assessment of communication, social interaction, ... Autism Diagnostic Observation Schedule, Second Edition ADOS-2 is used to assess and diagnose autism spectrum disorders across age, developmental level and language skills. Autism Diagnostic Observation Schedule, Second Edition ... by A McCrimmon · 2014 · Cited by 121 — (2012). Autism diagnostic observation schedule, second edition (ADOS-2) manual (Part II): Toddler module. Torrance, CA: Western Psychological Services. Autism Diagnostic Observation Schedule ADOS 2 Manual Jan 1, 2014 — The manual provides the user with information on the theoretical background, development, administration, scoring, applications, ... (PDF) Test Review: Autism Diagnostic Observation ... PDF | On Dec 16, 2013, Adam McCrimmon and others published Test Review: Autism Diagnostic Observation Schedule, Second Edition (ADOS-2) Manual (Part II): ... Autism Diagnostic Observation Schedule, Second Edition ... by A McCrimmon · 2014 · Cited by 121 — Autism diagnostic observation schedule, second edition (ADOS-2) manual (Part II): Toddler module. Torrance, CA: Western Psychological Services. Google Scholar. Autism Diagnostic Observation Schedule, 2nd Edition ... Jun 23, 2020 — The Autism Diagnostic Observation Schedule , 2nd Edition ( ADOS -2) is a highly recognized evaluative measure for diagnosing Autism Spectrum ... Entrepreneurship Ideas in Action - 3rd Edition Find step-by-step solutions and answers to Entrepreneurship Ideas in Action - 9780538441223, as well as thousands of textbooks so you can move forward with ... ENTREPRENEURSHIP Ideas in Action ... Edition with CD ISBN 13: 978-0-538-44626-6. Student Edition with ... Ideas in Action presents stories of successful young Entrepreneurs. Making Job Connections 3. Entrepreneurship Ideas In Action Chapter 3 Flashcards Study with Quizlet and memorize flashcards containing terms like business plan (What is it?), pro forma financial statement, exit (harvest) strategy and ... Entrepreneurship Ideas In Action 3rd Edition Answers Pdf Entrepreneurship Ideas In Action 3rd Edition Answers Pdf. INTRODUCTION Entrepreneurship Ideas In Action 3rd Edition Answers Pdf (2023) Entrepreneurship: Ideas in Action: Greene, Cynthia L. Entrepreneurship: Ideas in Action. 3rd Edition. ISBN-13: 978-0538441223, ISBN-10: 0538441224. 4.1 4.1 out of 5 stars 11 Reviews. 4.1 on Goodreads. (26). Chapter 1 1.4 Problem Solving for Entrepreneurs. 1. Slide 2.

Entrepreneurship: Ideas in Action. © Cengage Learning/South-Western. Ideas in Action. After identifying an ... Ideas in Action Updated, 6th, Precision Exams Edition ENTREPRENEURSHIP: IDEAS IN ACTION 6E provides students with the knowledge needed to realistically evaluate their potential as a business owner. Lesson 5 - Entrepreneurship Ideas in Action | PDF Entrepreneurship Dept. TREY research 1. Pursue Passions and. Interests. 2. Build positive relationships and reach out when necessary. 3. 5 Entrepreneurship Ideas in Action | PDF 1. Pursue the Passions and. Interests. · 2. Build positive relationships and reach out when necessary. · 3. Think About What Needs Improvement in Your · 4. Keep an ... Greene, Entrepreneurship: Ideas in Action Teacher ... Entrepreneurship course FREE teacher resources and trial access to online course solution as well as a correlation to WI state MME & WCCTS standards. Linear Algebra and Its Applications - 4th Edition - Solutions ... Linear Algebra. Linear Algebra and Its Applications. 4th Edition. David C. Lay ... solutions manuals or printing out PDFs! Now, with expert-verified solutions ... Solutions Manual For Linear Algebra And Its Applications ... ... ALGEBRA AND I TS A PPLICATIONS F OURTH E DITION David C. Lay University of Maryland The author and publisher of this book have used their best efforts in ... Solutions manual for linear algebra and its applications 4th ... solutions-manual-for MAS3114 solutions manual for linear algebra and its applications 4th edition lay full download. Linear Algebra And Its Applications 4th Edition Textbook ... We have solutions for your book! Linear Algebra and Its Applications (4th) edition 0321385179 9780321385178. Linear Algebra and Its Applications ... Linear-algebra-and-its-applications-4th-edition-solutions ... David Lay introduces. Download Linear Algebra With Applications Leon Solutions ... Solution manual of linear algebra and its applications 4th edition by david c. 1.1 SOLUTIONS 5. The system is already in “triangular” form. The fourth equation is  $x_4 = -5$ , and the other equations do not contain the variable  $x_4$ . Pdf linear algebra and its applications solutions Download David C Lay - Linear Algebra and its Applications - 4th edition + Solution Manual + Study Guide torrent or any other torrent from Textbooks category. Linear Algebra and Its Applications, 4th Edition by David C. ... In this book, there are five chapters: Systems of Linear Equations, Vector Spaces, Homogeneous Systems, Characteristic Equation of Matrix, and Matrix Dot ... Solution Manual to Linear Algebra and Its Applications (4th ... The Solution Manual for Linear Algebra and its Applications 4th Edition by Lay 9 Chapters Only contains the textbook solutions and is all you need to ... Linear Algebra and Its Applications 4th Edition solutions Linear Algebra and Its Applications 4th Edition solutions. Author: David C. Lay Publisher: Pearson ISBN: 9780321385178. Select Chapter: (select chapter), 1.