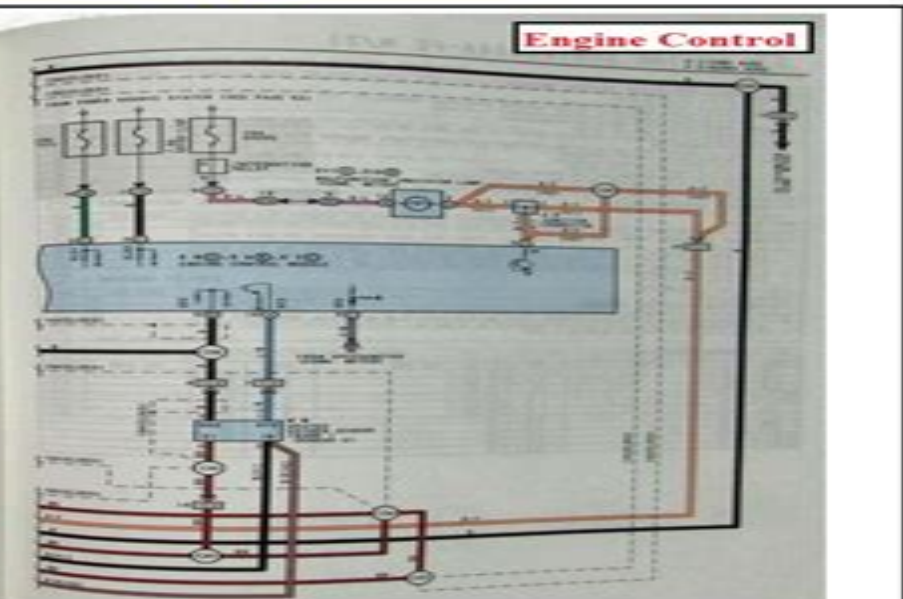
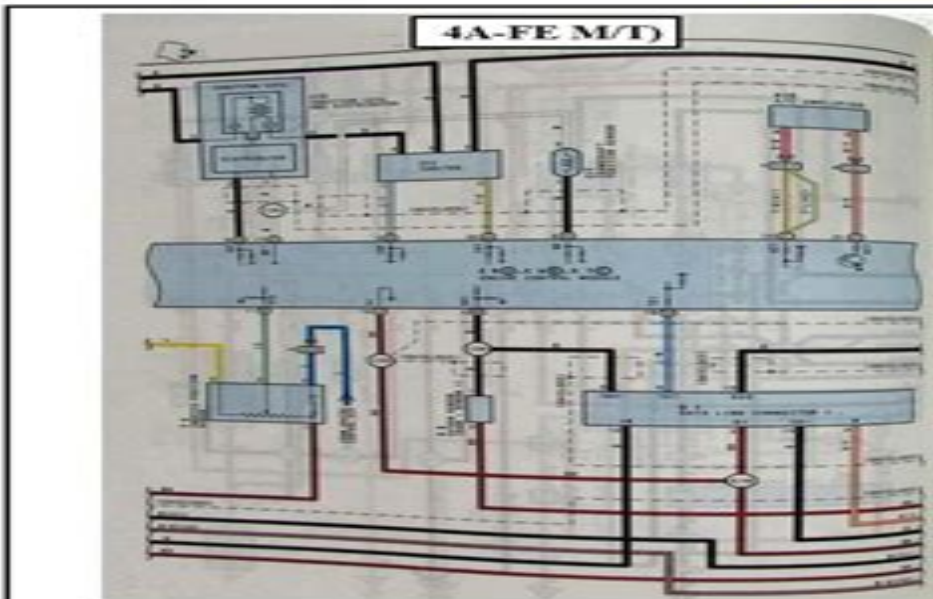
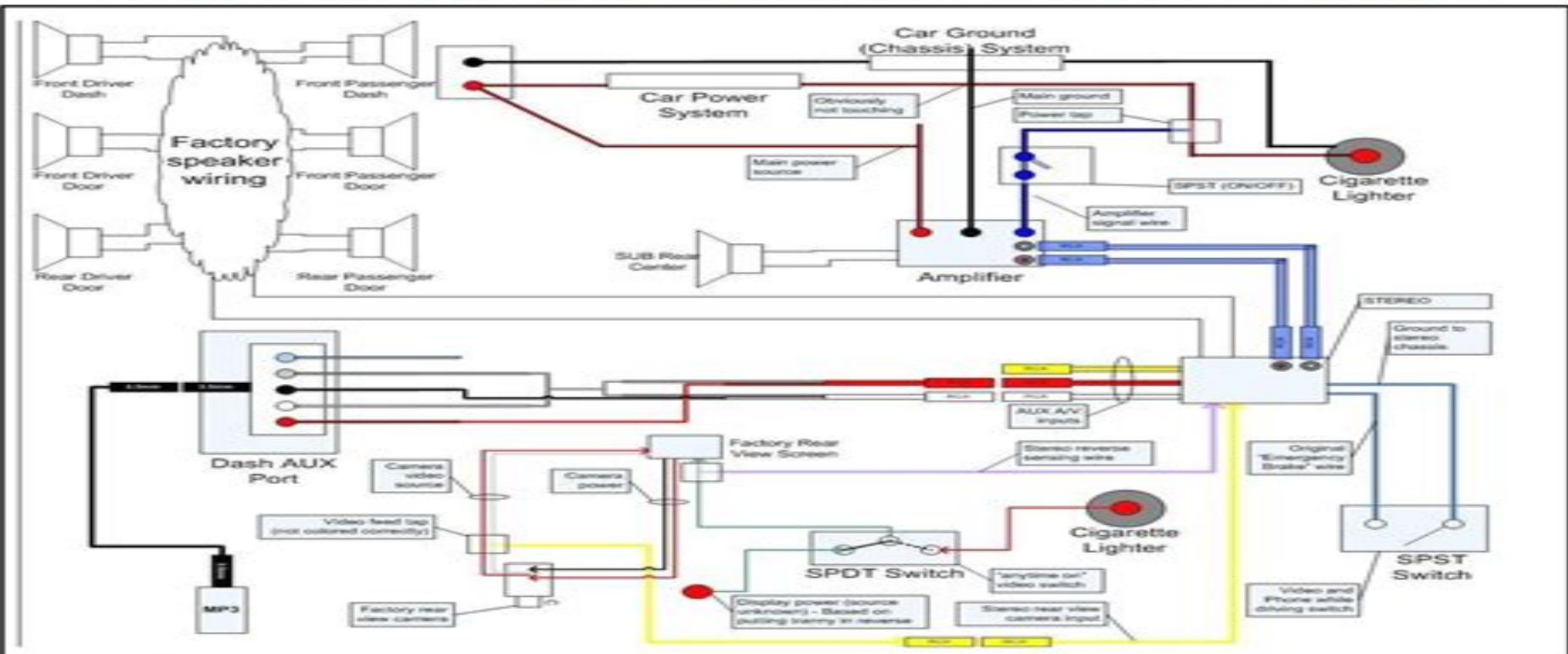


# TOYOTA COROLLA ELECTRIC WIRING DIAGRAM



# Wiring Diagram And Electrical System Circuit For Toyota 1993

**Liyong Dong**



## **Wiring Diagram And Electrical System Circuit For Toyota 1993:**

Right here, we have countless ebook **Wiring Diagram And Electrical System Circuit For Toyota 1993** and collections to check out. We additionally come up with the money for variant types and plus type of the books to browse. The tolerable book, fiction, history, novel, scientific research, as without difficulty as various other sorts of books are readily easy to use here.

As this Wiring Diagram And Electrical System Circuit For Toyota 1993, it ends occurring inborn one of the favored ebook Wiring Diagram And Electrical System Circuit For Toyota 1993 collections that we have. This is why you remain in the best website to look the unbelievable books to have.

[https://about.livewellcolorado.org/public/uploaded-files/HomePages/Washington\\_Civil\\_Service\\_Exam\\_Guide.pdf](https://about.livewellcolorado.org/public/uploaded-files/HomePages/Washington_Civil_Service_Exam_Guide.pdf)

## **Table of Contents Wiring Diagram And Electrical System Circuit For Toyota 1993**

1. Understanding the eBook Wiring Diagram And Electrical System Circuit For Toyota 1993
  - The Rise of Digital Reading Wiring Diagram And Electrical System Circuit For Toyota 1993
  - Advantages of eBooks Over Traditional Books
2. Identifying Wiring Diagram And Electrical System Circuit For Toyota 1993
  - Exploring Different Genres
  - Considering Fiction vs. Non-Fiction
  - Determining Your Reading Goals
3. Choosing the Right eBook Platform
  - Popular eBook Platforms
  - Features to Look for in an Wiring Diagram And Electrical System Circuit For Toyota 1993
  - User-Friendly Interface
4. Exploring eBook Recommendations from Wiring Diagram And Electrical System Circuit For Toyota 1993
  - Personalized Recommendations
  - Wiring Diagram And Electrical System Circuit For Toyota 1993 User Reviews and Ratings
  - Wiring Diagram And Electrical System Circuit For Toyota 1993 and Bestseller Lists

5. Accessing Wiring Diagram And Electrical System Circuit For Toyota 1993 Free and Paid eBooks
  - Wiring Diagram And Electrical System Circuit For Toyota 1993 Public Domain eBooks
  - Wiring Diagram And Electrical System Circuit For Toyota 1993 eBook Subscription Services
  - Wiring Diagram And Electrical System Circuit For Toyota 1993 Budget-Friendly Options
6. Navigating Wiring Diagram And Electrical System Circuit For Toyota 1993 eBook Formats
  - ePub, PDF, MOBI, and More
  - Wiring Diagram And Electrical System Circuit For Toyota 1993 Compatibility with Devices
  - Wiring Diagram And Electrical System Circuit For Toyota 1993 Enhanced eBook Features
7. Enhancing Your Reading Experience
  - Adjustable Fonts and Text Sizes of Wiring Diagram And Electrical System Circuit For Toyota 1993
  - Highlighting and Note-Taking Wiring Diagram And Electrical System Circuit For Toyota 1993
  - Interactive Elements Wiring Diagram And Electrical System Circuit For Toyota 1993
8. Staying Engaged with Wiring Diagram And Electrical System Circuit For Toyota 1993
  - Joining Online Reading Communities
  - Participating in Virtual Book Clubs
  - Following Authors and Publishers Wiring Diagram And Electrical System Circuit For Toyota 1993
9. Balancing eBooks and Physical Books Wiring Diagram And Electrical System Circuit For Toyota 1993
  - Benefits of a Digital Library
  - Creating a Diverse Reading Collection Wiring Diagram And Electrical System Circuit For Toyota 1993
10. Overcoming Reading Challenges
  - Dealing with Digital Eye Strain
  - Minimizing Distractions
  - Managing Screen Time
11. Cultivating a Reading Routine Wiring Diagram And Electrical System Circuit For Toyota 1993
  - Setting Reading Goals Wiring Diagram And Electrical System Circuit For Toyota 1993
  - Carving Out Dedicated Reading Time
12. Sourcing Reliable Information of Wiring Diagram And Electrical System Circuit For Toyota 1993
  - Fact-Checking eBook Content of Wiring Diagram And Electrical System Circuit For Toyota 1993
  - Distinguishing Credible Sources
13. Promoting Lifelong Learning

- Utilizing eBooks for Skill Development
  - Exploring Educational eBooks
14. Embracing eBook Trends
- Integration of Multimedia Elements
  - Interactive and Gamified eBooks

### **Wiring Diagram And Electrical System Circuit For Toyota 1993 Introduction**

In this digital age, the convenience of accessing information at our fingertips has become a necessity. Whether its research papers, eBooks, or user manuals, PDF files have become the preferred format for sharing and reading documents. However, the cost associated with purchasing PDF files can sometimes be a barrier for many individuals and organizations. Thankfully, there are numerous websites and platforms that allow users to download free PDF files legally. In this article, we will explore some of the best platforms to download free PDFs. One of the most popular platforms to download free PDF files is Project Gutenberg. This online library offers over 60,000 free eBooks that are in the public domain. From classic literature to historical documents, Project Gutenberg provides a wide range of PDF files that can be downloaded and enjoyed on various devices. The website is user-friendly and allows users to search for specific titles or browse through different categories. Another reliable platform for downloading Wiring Diagram And Electrical System Circuit For Toyota 1993 free PDF files is Open Library. With its vast collection of over 1 million eBooks, Open Library has something for every reader. The website offers a seamless experience by providing options to borrow or download PDF files. Users simply need to create a free account to access this treasure trove of knowledge. Open Library also allows users to contribute by uploading and sharing their own PDF files, making it a collaborative platform for book enthusiasts. For those interested in academic resources, there are websites dedicated to providing free PDFs of research papers and scientific articles. One such website is Academia.edu, which allows researchers and scholars to share their work with a global audience. Users can download PDF files of research papers, theses, and dissertations covering a wide range of subjects. Academia.edu also provides a platform for discussions and networking within the academic community. When it comes to downloading Wiring Diagram And Electrical System Circuit For Toyota 1993 free PDF files of magazines, brochures, and catalogs, Issuu is a popular choice. This digital publishing platform hosts a vast collection of publications from around the world. Users can search for specific titles or explore various categories and genres. Issuu offers a seamless reading experience with its user-friendly interface and allows users to download PDF files for offline reading. Apart from dedicated platforms, search engines also play a crucial role in finding free PDF files. Google, for instance, has an advanced search feature that allows users to filter results by file type. By specifying the file type as "PDF," users can find websites that offer free PDF downloads on a specific topic. While

downloading Wiring Diagram And Electrical System Circuit For Toyota 1993 free PDF files is convenient, its important to note that copyright laws must be respected. Always ensure that the PDF files you download are legally available for free. Many authors and publishers voluntarily provide free PDF versions of their work, but its essential to be cautious and verify the authenticity of the source before downloading Wiring Diagram And Electrical System Circuit For Toyota 1993. In conclusion, the internet offers numerous platforms and websites that allow users to download free PDF files legally. Whether its classic literature, research papers, or magazines, there is something for everyone. The platforms mentioned in this article, such as Project Gutenberg, Open Library, Academia.edu, and Issuu, provide access to a vast collection of PDF files. However, users should always be cautious and verify the legality of the source before downloading Wiring Diagram And Electrical System Circuit For Toyota 1993 any PDF files. With these platforms, the world of PDF downloads is just a click away.

### FAQs About Wiring Diagram And Electrical System Circuit For Toyota 1993 Books

**What is a Wiring Diagram And Electrical System Circuit For Toyota 1993 PDF?** A PDF (Portable Document Format) is a file format developed by Adobe that preserves the layout and formatting of a document, regardless of the software, hardware, or operating system used to view or print it. **How do I create a Wiring Diagram And Electrical System Circuit For Toyota 1993 PDF?** There are several ways to create a PDF: Use software like Adobe Acrobat, Microsoft Word, or Google Docs, which often have built-in PDF creation tools. Print to PDF: Many applications and operating systems have a "Print to PDF" option that allows you to save a document as a PDF file instead of printing it on paper. Online converters: There are various online tools that can convert different file types to PDF. **How do I edit a Wiring Diagram And Electrical System Circuit For Toyota 1993 PDF?** Editing a PDF can be done with software like Adobe Acrobat, which allows direct editing of text, images, and other elements within the PDF. Some free tools, like PDFescape or Smallpdf, also offer basic editing capabilities. **How do I convert a Wiring Diagram And Electrical System Circuit For Toyota 1993 PDF to another file format?** There are multiple ways to convert a PDF to another format: Use online converters like Smallpdf, Zamzar, or Adobe Acrobats export feature to convert PDFs to formats like Word, Excel, JPEG, etc. Software like Adobe Acrobat, Microsoft Word, or other PDF editors may have options to export or save PDFs in different formats. **How do I password-protect a Wiring Diagram And Electrical System Circuit For Toyota 1993 PDF?** Most PDF editing software allows you to add password protection. In Adobe Acrobat, for instance, you can go to "File" -> "Properties" -> "Security" to set a password to restrict access or editing capabilities. Are there any free alternatives to Adobe Acrobat for working with PDFs? Yes, there are many free alternatives for working with PDFs, such as: LibreOffice: Offers PDF editing features. PDFsam: Allows splitting, merging, and editing PDFs. Foxit Reader: Provides basic PDF viewing and editing capabilities. How

do I compress a PDF file? You can use online tools like Smallpdf, ILovePDF, or desktop software like Adobe Acrobat to compress PDF files without significant quality loss. Compression reduces the file size, making it easier to share and download. Can I fill out forms in a PDF file? Yes, most PDF viewers/editors like Adobe Acrobat, Preview (on Mac), or various online tools allow you to fill out forms in PDF files by selecting text fields and entering information. Are there any restrictions when working with PDFs? Some PDFs might have restrictions set by their creator, such as password protection, editing restrictions, or print restrictions. Breaking these restrictions might require specific software or tools, which may or may not be legal depending on the circumstances and local laws.

### **Find Wiring Diagram And Electrical System Circuit For Toyota 1993 :**

**washington civil service exam guide**

*wasce 2004 science*

**wardlaw contemporary nutrition study guide**

**washingtonx27s beer recipe**

washington state boaters study guide

**waves on a string simulation activity answers**

**watch me die stacy killian 4 erica spindler**

*way of the world plot or guide*

**water trough in laboratory manual**

*wartsila 26 manual*

**warn premium manual hubs**

*wayfarer tales of beauty amp madness 2 lili st crow*

**washington boaters study guide**

water resources engineering wurbs solution manual

**wbbme syllabus 2015 5th to 8th**

### **Wiring Diagram And Electrical System Circuit For Toyota 1993 :**

le delf scolaire prüfungsvorbereitung delf scolaire et junior 100 - Dec 12 2022

web mentioned the le delf scolaire prüfungsvorbereitung delf scolaire et junior 100 réussite b1 per le scuole superiori con cd audio by romain chrétien emilie jacament marie



[le delf scolaire prufungsvorbereitung delf scolai pdf uniport edu](#) - Nov 11 2022

web jul 8 2023 le delf scolaire prufungsvorbereitung delf scolai 3 5 downloaded from uniport edu ng on july 8 2023 by guest determined to write about the border world the

**anmeldung delf für schulen institut français d allemagne** - Feb 02 2022

web delf scolaire prÜfungen im regierungsprÄsidium stuttgart das institut français stuttgart bietet 2024 prüfungszeiträume für das delf scolaire delf prim und

**le delf scolaire prufungsvorbereitung delf scolai copy** - Jan 13 2023

web apr 9 2023 le delf scolaire prufungsvorbereitung delf scolai 2 4 downloaded from uniport edu ng on april 9 2023 by guest completely relevant to the needs of young

**le delf scolaire prufungsvorbereitung delf scolai copy** - Aug 08 2022

web feb 24 2023 le delf scolaire prufungsvorbereitung delf scolai 1 5 downloaded from uniport edu ng on february 24 2023 by guest le delf scolaire prufungsvorbereitung

**le delf scolaire prufungsvorbereitung delf scolai pdf uniport edu** - Feb 14 2023

web jun 28 2023 le delf scolaire prufungsvorbereitung delf scolai 1 4 downloaded from uniport edu ng on june 28 2023 by guest le delf scolaire prufungsvorbereitung delf

**le delf scolaire prüfungsvorbereitung cornelsen** - Aug 20 2023

web ausgabe 2018 zur gezielten delf prüfungsvorbereitung der niveaus a1 b1 realistische Übungsformate und abschlussprüfungen empfohlen vom institut français d allemagne

**le delf scolaire prüfungsvorbereitung delf scolaire et junior 100** - Apr 16 2023

web january 18th 2019 100 delf b1 scolaire et junior zur vorbereitung auf die delf prufung preparation delf buch online angebot pdf epub download 15 minuten tests englisch

**le delf scolaire prufungsvorbereitung delf scolai pdf** - Mar 15 2023

web jun 4 2023 le delf scolaire prufungsvorbereitung delf scolai 1 6 downloaded from uniport edu ng on june 4 2023 by guest le delf scolaire prufungsvorbereitung delf

**le delf scolaire prüfungsvorbereitung delf scolaire et junior 100** - Jun 06 2022

web le delf scolaire prüfungsvorbereitung delf scolaire et junior 100 réussite b1 per le scuole superiori con cd audio by romain chrétien emilie jacament marie rabin

[le delf scolaire prufungsvorbereitung delf scolai pdf](#) - May 17 2023

web mündlicher und schriftlicher sprachkompetenz in vorbereitung auf den delf test die arbeit soll einen beitrag zur entwicklung und durchführung schulischer sprachförderung

**le delf scolaire prüfungsvorbereitung delf scolai rc spectrallabs** - Apr 04 2022

web 4 le delf scolaire prüfungsvorbereitung delf scolai 2019 12 08 preparing for school examinations it explains clearly and accurately t the lovers vintage pauline is young

*delf junior scolaire france education internationale* - Jul 19 2023

web différences entre junior et scolaire la déclinaison junior scolaire du delf peut être scindée en deux le delf junior et le delf scolaire les compétences

**anmeldung delf für schulen institut français d allemagne** - Sep 28 2021

web personalverwaltung für die delf prüfung 49 21113067924 49 21113067916 lisa chuet institutfrançais de stéphanie mérel delf prüfungsbeauftragte für die br köln und

**ledelfscolaireprüfungsvorbereitungdelfscolai vault sensepost** - Jan 01 2022

web ledelfscolaireprüfungsvorbereitungdelfscolai 1 ledelfscolaireprüfungsvorbereitungdelfscolai

**le delf scolaire ausgabe 2018 cornelsen** - Nov 30 2021

web die neue ausgabe le delf scolaire eignet sich für die gezielte delf prüfungsvorbereitung der niveaus a1 b2 des gemeinsamen europäischen

*le delf scolaire prüfungsvorbereitung amazon de* - Sep 09 2022

web die neue ausgabe le delf scolaire eignet sich für die gezielte delf prüfungsvorbereitung der niveaus a1 b2 des gemeinsamen europäischen

*le delf scolaire prüfungsvorbereitung amazon de* - Oct 10 2022

web die neue ausgabe le delf scolaire eignet sich für die gezielte delf prüfungsvorbereitung der niveaus a1 b2 des gemeinsamen europäischen

le delf scolaire prüfungsvorbereitung b1 buch weltbild - Jul 07 2022

web die neue ausgabe le delf scolaire eignet sich für die gezielte delf prüfungsvorbereitung der niveaus a1 b2 des gemeinsamen europäischen

*le delf scolaire prüfungsvorbereitung amazon de* - Jun 18 2023

web die neue ausgabe le delf scolaire eignet sich für die gezielte delf prüfungsvorbereitung der niveaus a1 b2 des gemeinsamen europäischen

**anmeldung delf für schulen institut français d allemagne** - Mar 03 2022

web alle information rund um die delf prüfung anmeldung online ressourcen vorbereitung u v m hier lehrkräfte die ihre schülerinnen und schüler anmelden

**le delf scolaire prüfungsvorbereitung delf scolai uniport edu** - May 05 2022

web jun 2 2023 le delf scolaire prüfungsvorbereitung delf scolai 1 5 downloaded from uniport edu ng on june 2 2023 by guest le delf scolaire prüfungsvorbereitung delf

*le delf scolaire prüfungsvorbereitung delf scolaire et junior 100* - Oct 30 2021

web le delf scolaire prüfungsvorbereitung delf scolaire et junior 100 réussite b1 per le scuole superiori con cd audio by romain chrétien emilie jacament marie rabin online

**wordly wise book 6 lesson 11e youtube** - Oct 04 2022

web may 11 2020 wordly wise book 6 lesson 11e stephen waymire 79 subscribers subscribe 1 share 542 views 3 years ago read aloud of the lesson 11e passage

wordly wise book6 teaching resources wordwall - Feb 25 2022

web 1199 results for wordly wise book6 wordly wise lesson 11 quiz by tinatravers g3 english wordly wise definitions wordly wise lesson 11 matching pairs by

lesson 11 wordly wise slideshare - Jul 01 2022

web wordly wise lesson 2 josteen 37 1k views 9 slides lesson 4 book 6 mariadelcarmencolin 2 7k views 11 slides ww lesson 4 tatimein 2 4k views 16 slides

**learning definitions word definitions test wordly wise book 6** - Mar 29 2022

web learning definitions word definitions test wordly wise book 6 lesson 11 the word futile most nearly means adj of no avail or effect useless hopeless n

**results for wordly wise book 6 tpt** - Oct 24 2021

web this resource contains 20 question quizzes for each of the 20 lessons in wordly wise book 6 in addition this resource also contains multiple review quizzes including

*wordly wise 3000 book 6 lesson 11 english esl powerpoints* - Nov 05 2022

web wordly wise 3000 provides direct academic vocabulary instruction that develops the critical link between vocabulary and reading comprehension direct instructi

*wordly wise book 6 weebly* - May 11 2023

web wordly wise book 6 the following is a website to help you study for your test wordlywise3000 com games book06 cfm quizlet com subject wordly

**wordly wise book 6 lesson 11 flashcards quizlet** - Mar 09 2023

web v to shorten by leaving out certain parts n the result of abbreviating adj suitable or right for the purposev to set aside for a particular purpose to leave out to keep from being

*wordly wise 6 11 teaching resources wordwall* - Apr 29 2022

web 10000 results for wordly wise 6 11 wordly wise lesson 11 quiz by tinatravers g3 english wordly wise definitions wordly wise lesson 11 matching pairs by

**wordly wise book 6 lesson 11 test 416 plays quizizz** - Sep 03 2022

web wordly wise book 6 lesson 11 test quiz for 6th grade students find other quizzes for english and more on quizizz for free  
*wordly wise book 6 lesson 11 vocabtest com* - Jun 12 2023

web persevere possess prejudice resolute sneer unanimous unruly

wordly wise lesson 6 teaching resources wordwall - Jan 27 2022

web 10000 results for wordly wise lesson 6 wordly wise lesson 11 quiz by tinatravers g3 english wordly wise definitions wordly wise lesson 11 matching pairs by

**wordly wise book 6 lesson 11 flashcards quizlet** - Feb 08 2023

web adj suitable or right for the purpose exclude v to leave out to keep from being a part of fanciful adj 1 not based on reason unrealistic 2 not real imaginary futile adj

**wordly wise book 11 teaching resources wordwall** - Nov 24 2021

web 10000 results for wordly wise book 11 wordly wise lesson 11 quiz by tinatravers g3 english wordly wise definitions wordly wise lesson 11 matching pairs by

**wordly wise 3000 book 6 lesson 11 flashcards quizlet** - Apr 10 2023

web to look down on with scorn to mock or insult by words or manner sneer a scornful look a mocking or insulting remark unanimous without any disagreement unanimity the

**math6month** - May 31 2022

web lesson 11 1 ia finding meanings 1 b d 4 c b c 2 c b 5 c d d c 11b just the right word a c excluded perseverance sneer appropriate resolute wordly wise

sample lesson school specialty - Aug 02 2022

web wordly wise 3000 3rd edition book 6 lesson 3 22 lesson 3 word list study the definitions of the words then do the exercises that follow

wordly wise 3000 book 6 practice vocabulary tests for wordly - Dec 06 2022

web vocabtest com material based on words found in wordly wise 3000 book 6 select which vocabulary practice lesson s you want to learn lesson 1 lesson 2

*wordly wise book 11 lesson 6 flashcards quizlet* - Dec 26 2021

web learn test match created by jakeman94 wordly wise 3000 book eleven lesson 6 terms in this set 15 anathema someone or something that is intensely disliked cursed or

**wordly wise 3000 book 6 lesson 11 flashcards quizlet** - Jan 07 2023

web learn test match created by sesmom english 6 wordly wise 3000 book 6 lesson 11 terms in this set 15 abbreviate to shorten by leaving out certain parts appropriate

*wordly wise book 6 lesson 11 flashcards quizlet* - Aug 14 2023

web to fill with emotion or great excitement majority the greater number or part more than half persevere to refuse to give up despite difficulties possess to have or own prejudice an

*wordly wise 3000 book 11 lesson 6 answer key course hero* - Sep 22 2021

web wordly wise 3000 book 11 lesson 6 6a 1 c 2 a nascent trend is an emerging one 3 an epigram is a pithy poem or saying 4 c 5 c 6 a munificent gesture is one that is made

glendale unified school district - Jul 13 2023

web wordly wise 3000 book 6 11b abbreviate appropriate exclude fanciful futile grudge inspire majority persevere possess prejudice resolute sneer unanimous unruly 108

**ramsey 2023 ilkbahar yaz erkek koleksiyonu hemen keşfedin** - Oct 04 2022

web guide startingmarathons com ramsey mtm test guide refurs de arcelormittal indiana harbor inc craft vacancy posting ramsay test for mtm mybooklibrary com

*ramsey mtm test shaul io* - Sep 22 2021

**ramsay test for mtm network eve gd** - Oct 24 2021

*ramsey mechanical aptitude test 2023 study guide* - Nov 05 2022

web collections ramsey mtm test that we will utterly offer it is not something like the costs its about what you habit currently this ramsey mtm test as one of the most in force

ramsay test for mtm network eve gd - Apr 29 2022

web rhp matt ramsey assigned to toros de tijuana july 12 2019 toros de tijuana selected the contract of rhp matt ramsey from sugar land skeeters june 28 2019 sugar

*what is the ramsay mechanical test find out at* - Jan 07 2023

web it will unconditionally ease you to see guide ramsey mtm test as you such as by searching the title publisher or authors of guide you truly want you can discover them

**ramsay maintenance test how to pass and get the job 2023** - Aug 14 2023

web jul 23 2020 if you desire a maintenance position at companies such as amazon and walmart you will likely have to score

high on the ramsay maintenance test we ve  
[ramsey mtm test old vulkk com](#) - Jan 27 2022

[ramsay mtm test orientation sutd edu](#) - Jul 01 2022

web ramsey mtm test downloaded from old vulkk com by guest braedon good the world of ucl addison wesley ati teas  
practice test questions 2021 2022 gulf

[the ultimate ramsay mechanical test practice guide](#) - May 11 2023

web the five tests are mechanical aptitude test multicraft aptitude test multicraft entry multicraft trainee and the mectest the  
test you take will depend on your skill level

[free ramsay mechanical aptitude practice tests tips 2023](#) - Jun 12 2023

web what is the ramsay test ramsay tests commonly referred to as ramsay mechanical tests are a collection of professional  
tests assessing the knowledge and learning skills

**ramsay test for mtm orientation sutd edu** - Dec 26 2021

[free ramsay mechanical aptitude tests practice 2023](#) - Mar 09 2023

web ramsey 2023 İlkbahar yaz erkek koleksiyonu hemen keşfedin yeni geri yeni Çok satanlar gömlek casual gömlek 100  
pamuk klasik gömlek tümünü gör

[ramsey mtm test help environment harvard edu](#) - Aug 02 2022

web tom ramsey was born on july 9 1961 where was tom ramsey born tom ramsey was born in encino ca how tall is tom  
ramsey tom ramsey is 6 1 185 cm tall how

**ramsey mtm test wef tamu edu** - May 31 2022

web about this type of test ramsey test mtm study guide welcome to the official youtube channel for the f word on the f word  
foodie families from across the u s will

[ramsay basic skills test practice and pass in 2023](#) - Feb 08 2023

web ramsey mtm test is comprehensible in our digital library an online entry to it is set as public therefore you can download  
it instantly our digital library saves in fused countries

[ramsay mechanical practice test tsa test prep](#) - Dec 06 2022

web that epub download ramsey test mtm study guide ramsey test mtm study guide searching for ramsey test mtm study  
guide epub download do you really need this pdf

**ramsay maintenance practice test updated practice test for 2023** - Jul 13 2023

web jun 8 2023 prepare for the ramsay maintenance test used by employers to test skills for facilities maintenance and maintenance planning preventative maintenance positions

*tom ramsey pro football reference com - Feb 25 2022*

web ramsey mtm test right here we have countless ebook ramsey mtm test and collections to check out we additionally give variant types and furthermore type of the books to

*how to prepare for the ramsay test in 2023 - Apr 10 2023*

web candidates are tested on their knowledge of mechanics there are thirty six multi choice questions and the time limit is twenty minutes problems in this test are all from

*matt ramsey stats fantasy news mlb com - Nov 24 2021*

[ramsey mtm test wef tamu edu](#) - Sep 03 2022

web ramsey mtm test guide kwilist com april 22nd 2018 ramsay maintenance mechanic study guide tricia study guide for maintenance mechanic maintenance machinist study

**ramsay mtm test mintxx top** - Mar 29 2022

web ramsay test for mtm a727c0 ramsey test mtm study guide top firm co uk june 9th 2018 a727c0 ramsey test mtm study guide this asbestos msds page contains an