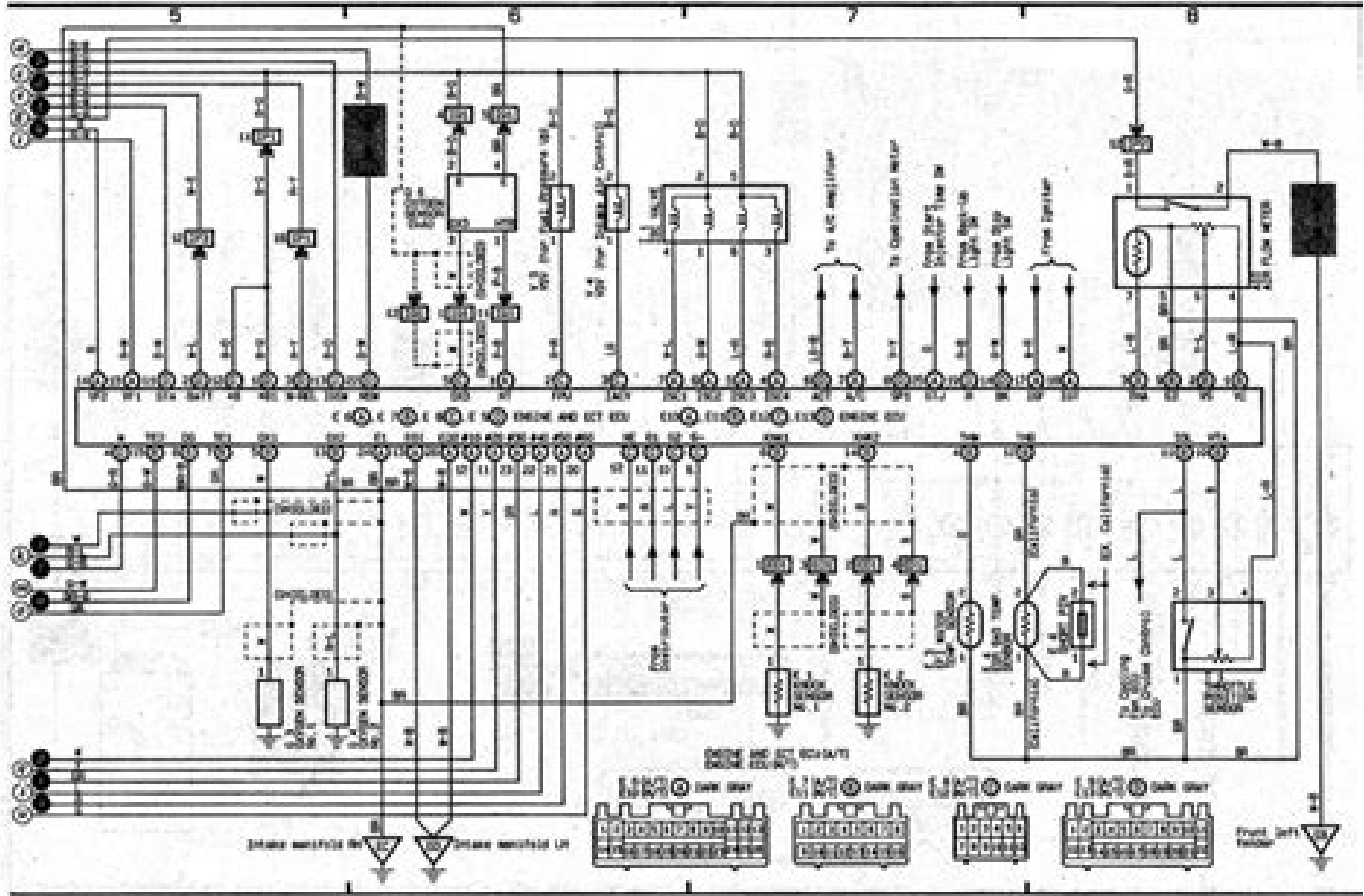


Engine Control GM2-FED



Typical 3VZ-FE V6 engine control system wiring diagram (1993 and earlier models) (2 of 2)

Wiring Diagram For Mr2 With 3sge Motor

Robert N. Brady



Wiring Diagram For Mr2 With 3sge Motor:

Embark on a breathtaking journey through nature and adventure with Crafted by is mesmerizing ebook, **Wiring Diagram For Mr2 With 3sge Motor** . This immersive experience, available for download in a PDF format (PDF Size: *), transports you to the heart of natural marvels and thrilling escapades. Download now and let the adventure begin!

https://about.livewellcolorado.org/data/detail/Documents/toshiba_camileo_x416_user_manual.pdf

Table of Contents Wiring Diagram For Mr2 With 3sge Motor

1. Understanding the eBook Wiring Diagram For Mr2 With 3sge Motor
 - The Rise of Digital Reading Wiring Diagram For Mr2 With 3sge Motor
 - Advantages of eBooks Over Traditional Books
2. Identifying Wiring Diagram For Mr2 With 3sge Motor
 - Exploring Different Genres
 - Considering Fiction vs. Non-Fiction
 - Determining Your Reading Goals
3. Choosing the Right eBook Platform
 - Popular eBook Platforms
 - Features to Look for in an Wiring Diagram For Mr2 With 3sge Motor
 - User-Friendly Interface
4. Exploring eBook Recommendations from Wiring Diagram For Mr2 With 3sge Motor
 - Personalized Recommendations
 - Wiring Diagram For Mr2 With 3sge Motor User Reviews and Ratings
 - Wiring Diagram For Mr2 With 3sge Motor and Bestseller Lists
5. Accessing Wiring Diagram For Mr2 With 3sge Motor Free and Paid eBooks
 - Wiring Diagram For Mr2 With 3sge Motor Public Domain eBooks
 - Wiring Diagram For Mr2 With 3sge Motor eBook Subscription Services
 - Wiring Diagram For Mr2 With 3sge Motor Budget-Friendly Options
6. Navigating Wiring Diagram For Mr2 With 3sge Motor eBook Formats

- ePub, PDF, MOBI, and More
 - Wiring Diagram For Mr2 With 3sge Motor Compatibility with Devices
 - Wiring Diagram For Mr2 With 3sge Motor Enhanced eBook Features
7. Enhancing Your Reading Experience
 - Adjustable Fonts and Text Sizes of Wiring Diagram For Mr2 With 3sge Motor
 - Highlighting and Note-Taking Wiring Diagram For Mr2 With 3sge Motor
 - Interactive Elements Wiring Diagram For Mr2 With 3sge Motor
 8. Staying Engaged with Wiring Diagram For Mr2 With 3sge Motor
 - Joining Online Reading Communities
 - Participating in Virtual Book Clubs
 - Following Authors and Publishers Wiring Diagram For Mr2 With 3sge Motor
 9. Balancing eBooks and Physical Books Wiring Diagram For Mr2 With 3sge Motor
 - Benefits of a Digital Library
 - Creating a Diverse Reading Collection Wiring Diagram For Mr2 With 3sge Motor
 10. Overcoming Reading Challenges
 - Dealing with Digital Eye Strain
 - Minimizing Distractions
 - Managing Screen Time
 11. Cultivating a Reading Routine Wiring Diagram For Mr2 With 3sge Motor
 - Setting Reading Goals Wiring Diagram For Mr2 With 3sge Motor
 - Carving Out Dedicated Reading Time
 12. Sourcing Reliable Information of Wiring Diagram For Mr2 With 3sge Motor
 - Fact-Checking eBook Content of Wiring Diagram For Mr2 With 3sge Motor
 - Distinguishing Credible Sources
 13. Promoting Lifelong Learning
 - Utilizing eBooks for Skill Development
 - Exploring Educational eBooks
 14. Embracing eBook Trends
 - Integration of Multimedia Elements
 - Interactive and Gamified eBooks

Wiring Diagram For Mr2 With 3sge Motor Introduction

In today's digital age, the availability of Wiring Diagram For Mr2 With 3sge Motor books and manuals for download has revolutionized the way we access information. Gone are the days of physically flipping through pages and carrying heavy textbooks or manuals. With just a few clicks, we can now access a wealth of knowledge from the comfort of our own homes or on the go. This article will explore the advantages of Wiring Diagram For Mr2 With 3sge Motor books and manuals for download, along with some popular platforms that offer these resources. One of the significant advantages of Wiring Diagram For Mr2 With 3sge Motor books and manuals for download is the cost-saving aspect. Traditional books and manuals can be costly, especially if you need to purchase several of them for educational or professional purposes. By accessing Wiring Diagram For Mr2 With 3sge Motor versions, you eliminate the need to spend money on physical copies. This not only saves you money but also reduces the environmental impact associated with book production and transportation. Furthermore, Wiring Diagram For Mr2 With 3sge Motor books and manuals for download are incredibly convenient. With just a computer or smartphone and an internet connection, you can access a vast library of resources on any subject imaginable. Whether you're a student looking for textbooks, a professional seeking industry-specific manuals, or someone interested in self-improvement, these digital resources provide an efficient and accessible means of acquiring knowledge. Moreover, PDF books and manuals offer a range of benefits compared to other digital formats. PDF files are designed to retain their formatting regardless of the device used to open them. This ensures that the content appears exactly as intended by the author, with no loss of formatting or missing graphics. Additionally, PDF files can be easily annotated, bookmarked, and searched for specific terms, making them highly practical for studying or referencing. When it comes to accessing Wiring Diagram For Mr2 With 3sge Motor books and manuals, several platforms offer an extensive collection of resources. One such platform is Project Gutenberg, a nonprofit organization that provides over 60,000 free eBooks. These books are primarily in the public domain, meaning they can be freely distributed and downloaded. Project Gutenberg offers a wide range of classic literature, making it an excellent resource for literature enthusiasts. Another popular platform for Wiring Diagram For Mr2 With 3sge Motor books and manuals is Open Library. Open Library is an initiative of the Internet Archive, a non-profit organization dedicated to digitizing cultural artifacts and making them accessible to the public. Open Library hosts millions of books, including both public domain works and contemporary titles. It also allows users to borrow digital copies of certain books for a limited period, similar to a library lending system. Additionally, many universities and educational institutions have their own digital libraries that provide free access to PDF books and manuals. These libraries often offer academic texts, research papers, and technical manuals, making them invaluable resources for students and researchers. Some notable examples include MIT OpenCourseWare, which offers free access to course materials from the Massachusetts Institute of Technology, and the Digital Public Library of America, which provides a vast collection of digitized books and historical

documents. In conclusion, Wiring Diagram For Mr2 With 3sge Motor books and manuals for download have transformed the way we access information. They provide a cost-effective and convenient means of acquiring knowledge, offering the ability to access a vast library of resources at our fingertips. With platforms like Project Gutenberg, Open Library, and various digital libraries offered by educational institutions, we have access to an ever-expanding collection of books and manuals. Whether for educational, professional, or personal purposes, these digital resources serve as valuable tools for continuous learning and self-improvement. So why not take advantage of the vast world of Wiring Diagram For Mr2 With 3sge Motor books and manuals for download and embark on your journey of knowledge?

FAQs About Wiring Diagram For Mr2 With 3sge Motor Books

What is a Wiring Diagram For Mr2 With 3sge Motor PDF? A PDF (Portable Document Format) is a file format developed by Adobe that preserves the layout and formatting of a document, regardless of the software, hardware, or operating system used to view or print it. **How do I create a Wiring Diagram For Mr2 With 3sge Motor PDF?** There are several ways to create a PDF: Use software like Adobe Acrobat, Microsoft Word, or Google Docs, which often have built-in PDF creation tools. Print to PDF: Many applications and operating systems have a "Print to PDF" option that allows you to save a document as a PDF file instead of printing it on paper. Online converters: There are various online tools that can convert different file types to PDF. **How do I edit a Wiring Diagram For Mr2 With 3sge Motor PDF?** Editing a PDF can be done with software like Adobe Acrobat, which allows direct editing of text, images, and other elements within the PDF. Some free tools, like PDFescape or Smallpdf, also offer basic editing capabilities. **How do I convert a Wiring Diagram For Mr2 With 3sge Motor PDF to another file format?** There are multiple ways to convert a PDF to another format: Use online converters like Smallpdf, Zamzar, or Adobe Acrobats export feature to convert PDFs to formats like Word, Excel, JPEG, etc. Software like Adobe Acrobat, Microsoft Word, or other PDF editors may have options to export or save PDFs in different formats. **How do I password-protect a Wiring Diagram For Mr2 With 3sge Motor PDF?** Most PDF editing software allows you to add password protection. In Adobe Acrobat, for instance, you can go to "File" -> "Properties" -> "Security" to set a password to restrict access or editing capabilities. Are there any free alternatives to Adobe Acrobat for working with PDFs? Yes, there are many free alternatives for working with PDFs, such as: LibreOffice: Offers PDF editing features. PDFsam: Allows splitting, merging, and editing PDFs. Foxit Reader: Provides basic PDF viewing and editing capabilities. How do I compress a PDF file? You can use online tools like Smallpdf, ILovePDF, or desktop software like Adobe Acrobat to compress PDF files without significant quality loss. Compression reduces the file size, making it easier to share and download. Can I fill out forms in a PDF file? Yes, most PDF viewers/editors like Adobe Acrobat, Preview (on Mac), or

various online tools allow you to fill out forms in PDF files by selecting text fields and entering information. Are there any restrictions when working with PDFs? Some PDFs might have restrictions set by their creator, such as password protection, editing restrictions, or print restrictions. Breaking these restrictions might require specific software or tools, which may or may not be legal depending on the circumstances and local laws.

Find Wiring Diagram For Mr2 With 3sge Motor :

toshiba camileo x416 user manual

toshiba 32c110u manual

~~toro weed wacker manual~~

~~tortuga banana rum cake recipe~~

toro proline walk behind manual

toro lawn mower repair manual kawasaki

toro push mower manual

toro groundsmaster 5900 5910 rotary mower repair manual

~~toro 65 gts manual~~

topics for an evaluation paper

tortured soul mercys angels book english edition

topcon rl hb user guide

toro 3521 service manual

toshiba 3540cse manual

toro zero turn repair manual

Wiring Diagram For Mr2 With 3sge Motor :

your pain poem by armando guebuza 2022 vps huratips - Jun 23 2022

web 4 your pain poem by armando guebuza 2022 07 13 wonderful chair frances browne the romance of a christmas card kate douglas wiggin wind in the willows kenneth grahame the wonderful life story of the life and death of our lord hesba strettton the christmas angel a brown christmas at

your pain by armando guebuza samson mwita blogger - Sep 07 2023

web may 24 2019 introduction this poem was written by armando guebuza born in 1942 during the struggle for

independence in mozambique he was a frelimo militant from the early stages of the liberation struggles and the later mozambican president it expresses his deep concern about mozambican independence and shows his belief in unity armed
[andy grammer wish you pain lyrics genius lyrics](#) - Apr 21 2022

web jul 25 2019 pre chorus cause i love you more than you could know and your heart it grows every time it breaks i know that it might sound strange chorus but i wish you pain wish you pain it s hard to say
[poem your pain by armando guebuza pdf ceu social](#) - Jun 04 2023

web poem your pain by armando guebuza reviewing poem your pain by armando guebuza unlocking the spellbinding force of linguistics in a fast paced world fueled by information and interconnectivity the spellbinding force of linguistics has acquired newfound prominence its capacity to evoke emotions stimulate contemplation and

poem your pain by armando guebuza copy ai classmonitor - Jul 25 2022

web 4 poem your pain by armando guebuza 2023 09 21 relation s story the child s story the schoolboy s story nobody s story the seven poor travellers the holly tree the wreck of the golden mary the perils of certain english prisoners a house to let the haunted house a message from the sea tom tiddler s ground somebody s luggage mrs

your pain poem by armando guebuza pdf - Nov 28 2022

web your pain poem by armando guebuza the 2005 cia world factbook jun 01 2020 the world factbook delivered annually by the cia has become the leading authoritative source of information on all the world nations it provides up to date data for over 250 countries and territories from afghanistan armando guebuza apr 04 2023 the

poem your pain by armando guebuza pdf api calvertfoundation - Aug 06 2023

web poem your pain by armando guebuza 3 3 darkest dawn arrives with clarity and focus and with it healing paloma learns to value small glimmering moments of joy rather than searching for constant happiness thus building hope for her future an electric roadmap to healing and a manifesto for wholeness

poem your pain by armando guebuza 2023 pantera adecco - Aug 26 2022

web pain by armando guebuza ftik usm ac idpoem your pain by armando this poem was written by armando guebuza born in 1942 during the struggle for independence in mozambique he was a frelimo militant from the early stages of the liberation struggles and the later mozambican president

your pain poem by armando guebuza amnesty international copy - Jan 31 2023

web way along with them is this your pain poem by armando guebuza that can be your partner coolie odyssey david dabydeen 2006 the old man and the medal ferdinand oyono 2013 08 13 writing in french in the 1950s ferdinand léopold oyono 1929 2010 had only a brief literary career but

poem your pain by armando guebuza pdf free live hubitat - Feb 17 2022

web about this book poem your pain by armando guebuza pdf free page 5 acknowledgments page 8 about the author page 8 disclaimer page 8 1 promise basics page 9 the promise lifecycle page 17 creating new unsettled promises page 21 creating settled promises page 24 summary page 27 2 chaining promises page 28

poems of your pain by armando guebuza pdf - Dec 30 2022

web god can be your coach creating a powerful histologie histoph t 2 epitheliums gland home and away writing the beautiful game i m really not a control freak but can i show you the right way to do that notebook lined journal jeff men s harry potter ravenclaw o neck t shirt us size journal for writing kalte rache la rose à marie

your pain by armando guebuza jamiiforums - Apr 02 2023

web mar 19 2021 started by gee23 aug 19 2023 replies 2 read the following poem and then answer the questions that follow your pain yet more my pain shall suffocate oppression your eyes yet more my eyes shall be speaking of revolt your scars yet more my scars will be remembering the whip my hands yet more your hands will be lifted

english poem your pain msomi bora - Oct 08 2023

web dec 15 2019 your pain by armando guebuza this poem was written by armando guebuza born in 1942 during the struggle for independence in mozambique he was a frelimo militant from the early stages of the liberation

your pain poem by armando guebuza 2023 pantera adecco - Sep 26 2022

web your pain poem by armando guebuza 3 3 stretton the christmas angel a brown christmas at thompson hall anthony trollope christmas every day william dean howells the lost word henry van dyke the nutcracker and the mouse king e t a hoffmann the little match girl the elves and the shoemaker mother holle the star

your pain poem by armando guebuza full analysis official - Jul 05 2023

web teacherhassanlemunje ugawaelimutv 0622548220 all notes and materials ugawaelimu blogspot com chat whatsapp com free download well analysed your pain poem by armando guebuza - May 03 2023

web aug 7 2018 download your pain by armando guebuza click download now link below download now image credit 12 years a slave solomon northup patsey the binge viewer n p 2014 web 7 aug 2018

poem your pain by armando guebuza ws 1 ps2pdf - May 23 2022

web poem your pain by armando guebuza 3 3 chicana heritage these poems illuminate the american experience of the last quarter century and at a time when much of what is merely fashionable in american poetry is recondite and exclusive cervantes has the ability to speak to and for a large audience santa s library 400 christmas novels stories

poem your pain by armando guebuza book susanakamine com - Oct 28 2022

web poem your pain by armando guebuza your pain has a past dec 30 2019 most people live in the pain of their past because the reality of their present state identify with their past mistakes many people have sought out ways to change their life but

continue to come up against a wall of disappointment

pain of you song and lyrics by yukiya endo spotify - Mar 21 2022

web listen to pain of you on spotify yukiya endo song 2019 yukiya endo song 2019 listen to pain of you on spotify yukiya endo song 2019 sign up log in home search your library create your first playlist it s easy we ll help you create playlist let s find some podcasts to follow we ll keep you updated on new

[your pain poem by armando guebuza pdf portal nivbook co](#) - Mar 01 2023

web your pain poem by armando guebuza 5 5 the debates and proceedings in the congress of the united states 1789 1824 the register of debates in congress 1824 1837 and the congressional globe 1833 1873 love in a cauldron of misery city lights books an international bestseller

banta saw electrical ignition - Mar 15 2023

web ignition modules universal oem points condensers ignition sets regulators voltage relays solenoids starter spark plugs boots and accessories switch accessories oem universal switches key ignition oem universal switches multi application oem universal

section24 electrical ignition banta saw pdf 198 58 106 - Jun 06 2022

web dec 9 2022 section24 electrical ignition banta saw 1 6 downloaded from 198 58 106 42 on december 9 2022 by guest section24 electrical ignition banta saw right here we have countless ebook section24 electrical ignition banta saw and collections to check out we additionally find the money for variant types and furthermore type of the books to

[section24 electrical ignition banta saw erp ecomobi com](#) - Nov 11 2022

web may 14th 2018 section24 electrical ignition banta saw briggs electronic module new style coil briggs ignition coil for intek v twin 18 thru 22 hp engines fits models 404577 free book electronic ignition diagram for 2 stroke engine

section24 electrical ignition banta saw pdf uniport edu - May 05 2022

web mar 15 2023 section24 electrical ignition banta saw 2 5 downloaded from uniport edu ng on march 15 2023 by guest at arlington during the past five years with advanced graduate students all the material was covered in one semester in the case of first year graduate students the material in the first seven chapters was covered in one

[section24 electrical ignition banta saw ftp bonide com](#) - Apr 04 2022

web section24 electrical ignition banta saw downloaded from ftp bonide com by guest harvey ewing fire department city of new york springer science business media the national electrical code 2011 handbook provides the full text of the updated code regulations alongside expert commentary from code specialists offering code rationale

section24 electrical ignition banta saw pqr uiaf gov co - Mar 03 2022

web section24 electrical ignition banta saw is nearby in our digital library an online entry to it is set as public so you can

download it instantly our digital library saves in complex countries allowing you to acquire the most less latency era to download any of our books with this one merely said the section24 electrical ignition banta

section24 electrical ignition banta saw ftp bonide - Feb 14 2023

web 4 section24 electrical ignition banta saw 2019 11 16 flowchart or concept map of the topical organization and an outcomes map a one page flowchart of the sequence of student learning objectives and outcomes from the foundational through the mediating to the ultimate it also documents the positive impact that graphics have on student

section24electricalignitionbantasaw 2022 - Jan 13 2023

web section24electricalignitionbantasaw 1 section24electricalignitionbantasaw section24electricalignitionbantasaw downloaded from lisansustu altinbas edu tr by guest

section24electricalignitionbantasaw full pdf - Dec 12 2022

web section24electricalignitionbantasaw 1 section24electricalignitionbantasaw section24electricalignitionbantasaw downloaded from lisansustu altinbas edu tr

banta saw electrical ignition ignition modules universal - Jun 18 2023

web ignition module new style single terminal electronic this module comes in a metal case complete with instruction sheet and fasteners for use on chain saws brush cutters string trimmers and hedge trimmers that have had mechanical points originally

section24 electrical ignition banta saw small engine pdf - Jul 19 2023

web jan 31 2018 e e banta electrical ignition e e banta electrical ignition part champion bosch ngk nippondenso autolite ac application 690 300 cj7y ws8f bpm7a w22mp u 2974 cs42s husqvarna

section24 electrical ignition banta saw 2022 - Feb 02 2022

web 4 section24 electrical ignition banta saw 2022 04 28 serious historians who want to look beyond their usual documentary sources it is also for anyone who is intrigued by the electronic devices that are woven into our culture such as j a fleming s valve earl bakken s pacemaker or the supercomputers of seymour cray and who sense that they

section24 electrical ignition banta saw pdf uniport edu - Jul 07 2022

web apr 14 2023 vehicle operation and maintenance imi level 3 award in hybrid electric vehicle section24 electrical ignition banta saw 3 7 downloaded from uniport edu ng on april

section24 electrical ignition banta saw pdf ftp bonide - Sep 09 2022

web ignition hazard from electrical equipment in flammable areas national electrical code the national electrical code an analysis and explanation of the underwriters electrical code intelligible to non experts

pdf section24 electrical ignition banta saw small engine - Aug 20 2023

web section24 electrical ignition banta saw small engine pdf filebanta electrical of 27 27 match case limit results 1 per page e e banta electrical ignition part champion bosch ngk nippondenso autolite ac application 690 300 cj7y ws8f bpm7a w22mp u 2974 cs42s husqvarna jonsereds lombard

[electrical ignition banta saw yumpu](#) - May 17 2023

web mar 26 2013 page 10 and 11 banta electrical ignition points page 12 and 13 banta electrical ignition points page 14 and 15 banta electrical ignition regulat page 16 and 17 banta electrical ignition solenoi page 18 and 19 banta electrical ignition switche page 20 and 21 banta

[section24 electrical ignition banta saw](#) - Apr 16 2023

web download and install the section24 electrical ignition banta saw it is unconditionally easy then back currently we extend the join to purchase and create bargains to download and install section24 electrical ignition banta saw fittingly simple

[section24 electrical ignition electrical user manual search](#) - Aug 08 2022

web preview electrical ignition zenoah lawn mower manuals lawn mower manuals the best lawn mower manuals collection

section24electricalignitionbantasaw download only old vitacyte - Jan 01 2022

web section24electricalignitionbantasaw 1 section24electricalignitionbantasaw section24electricalignitionbantasaw downloaded from old vitacyte com by guest andrew chance

section24 electrical ignition banta saw pdf uniport edu - Oct 10 2022

web section24 electrical ignition banta saw 1 9 downloaded from uniport edu ng on august 29 2023 by guest section24 electrical ignition banta saw this is likewise one of the factors by obtaining the soft documents of this section24 electrical ignition banta saw by online you might not require more

amazon com el amor inteligente corazón y cabeza claves para - Jan 08 2023

web un análisis psicológico profundo que se adentra en el cuarto de máquinas de la conducta y se va abriendo paso entre ideas y conceptos guiado por un principio fundamental para estar con alguien es preciso estar primero con uno mismo

[el amor inteligente corazón y cabeza claves para construir una](#) - Jun 13 2023

web el amor inteligente corazón y cabeza claves para construir una pareja feliz prácticos siglo xxi rojas enrique amazon es libros

el amor inteligente corazon y cabeza claves para conseguir un - Oct 05 2022

web el amor inteligente corazon y cabeza claves para conseguir un a pareja feliz amazon com mx libros

descargar el amor inteligente corazón y cabeza claves para - Feb 26 2022

web may 4 2020 home descargar el amor inteligente corazón y cabeza claves para construir una pareja feliz vivir mejor de enrique rojas libros gratis en epub

el amor inteligente corazon y cabeza claves para conseguir un - Mar 10 2023

web corazón y cabeza claves para construir una pareja feliz el amor inteligente tiene tres notas básicas en su sinfonía corazón cabeza y espiritualidad sin olvidar que lo cotidiano nunca es banal ni insignificante el mejor amor se echa a perder si no se cuida a base de pequeños detalles

el amor inteligente enrique rojas planetadelibros - Aug 03 2022

web sinopsis de el amor inteligente el amor inteligente tiene tres notas básicas en su sinfonía corazón cabeza y espiritualidad sin olvidar que lo cotidiano nunca es banal ni insignificante el mejor amor se echa a perder si no se cuida a base de pequeños detalles

el amor inteligente corazon y cabeza claves para construir una - Apr 11 2023

web sinopsis de el amor inteligente corazon y cabeza claves para construir una pareja feliz el amor inteligente tienen tres notas básicas en su sinfonía corazón cabeza y espiritualidad sin olvidar que lo

el corte inglés - Apr 30 2022

web el amor inteligente corazón y cabeza claves para construir una pareja feliz bolsillo tapa blanda

el amor inteligente smart love corazon y cabeza claves para - Aug 15 2023

web el amor inteligente smart love corazon y cabeza claves para construir una pareja feliz heart and head keys to building a happy couple hidalgo enrique rojas amazon com tr kitap

el amor inteligente enrique rojas planetadelibros - Jul 14 2023

web corazón y cabeza claves para construir una pareja feliz el amor inteligente tiene tres notas básicas en su sinfonía corazón cabeza y espiritualidad sin olvidar que lo cotidiano nunca es banal ni insignificante el mejor amor se echa a perder si no se cuida a base de pequeños detalles

el amor inteligente enrique rojas casa del libro - Dec 07 2022

web corazón y cabeza las claves para construir una pareja feliz un análisis psicológico profundo que se adentra en el cuarto de máquinas de la conducta y se va abriendo paso entre ideas y conceptos guiado por un principio fundamental para estar con alguien es preciso estar primero con uno mismo quieres que te avisemos si lo volvemos a recibir

amor inteligente el corazon y cabeza claves para construir - Jul 02 2022

web amor inteligente el corazon y cabeza claves para construir una pareja feliz vivir mejor rojas enrique amazon es libros

el amor inteligente corazón y cabeza claves para construir una - Feb 09 2023

web jun 5 2012 mass market paperback june 5 2012 un análisis psicológico profundo que se adentra en el cuarto de máquinas de la conducta y se va abriendo paso entre ideas y conceptos guiado por un principio fundamental para estar con alguien es preciso estar primero con uno mismo

el amor inteligente corazón y cabeza claves para construir una - May 12 2023

web el amor inteligente corazón y cabeza claves para construir una pareja feliz vivir mejor rojas montes enrique amazon com tr kitap

el amor inteligente corazón y cabeza claves para construir una - Nov 06 2022

web el amor inteligente corazón y cabeza claves para construir una pareja feliz rojas e amazon com mx libros

loading interface goodreads - Mar 30 2022

web discover and share books you love on goodreads

el amor inteligente corazón y cabeza claves para construir una - Dec 27 2021

web el amor inteligente corazón y cabeza claves para construir una pareja feliz amazon es libros

el amor inteligente corazon y cabeza claves para conseguir un - Jun 01 2022

web el amor inteligente corazon y cabeza claves para conseguir un a pareja feliz by enrique rojas 2012 12 01 enrique rojas amazon es libros

el amor inteligente enrique rojas google books - Sep 04 2022

web aug 5 2011 el amor inteligente enrique rojas grupo planeta spain aug 5 2011 self help 250 pages el amor inteligente tiene tres notas básicas en su sinfonía corazón cabeza y

el amor inteligente corazon y cabeza claves para - Jan 28 2022

web el libro el amor inteligente corazon y cabeza claves para construir una pareja feliz de enrique rojas en casa del libro con los mejores precios y envíos gratis el amor inteligente