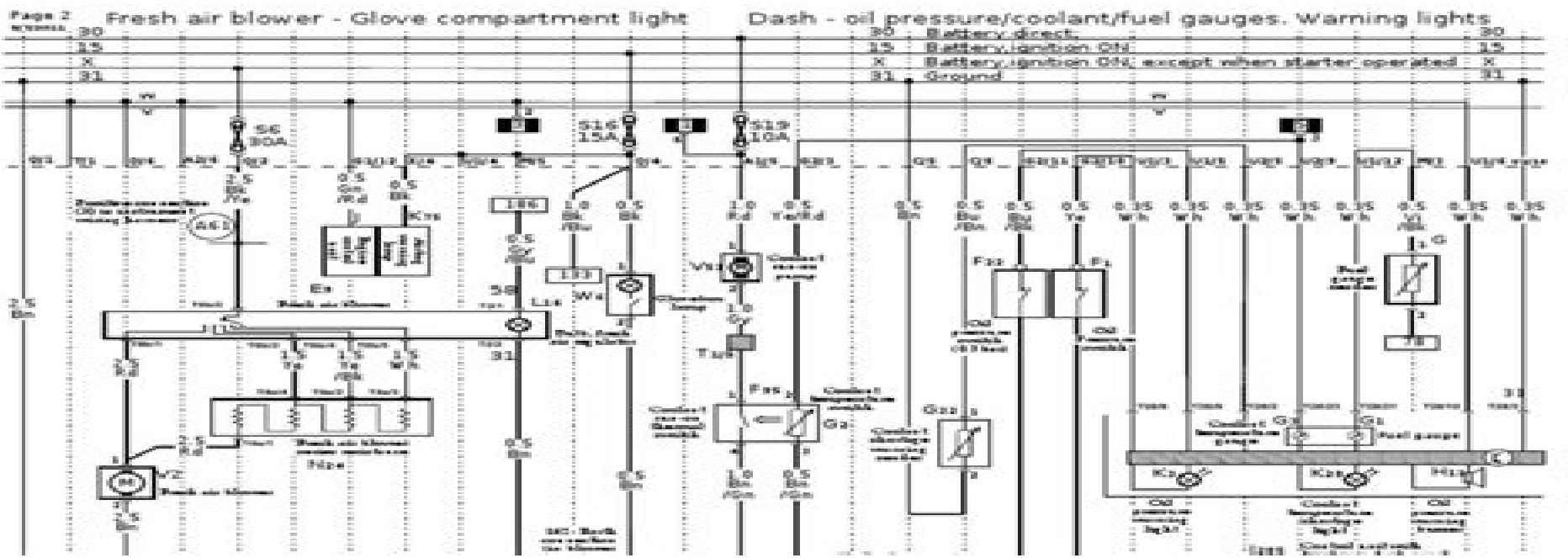


www.vw.computer.com - a useful website for owners and enthusiasts of VW's Transporter Campervan.
 kindly contributed to this website by Peter Marston - linking cables to different pages (includes screen capture software)



Wiring Diagram Vw T4

Rachel Sandford



Wiring Diagram Vw T4:

Most-often-needed Radio Diagrams and Servicing Information ,1964 *Volkswagen Beetle, Karmann Ghia Official Service Manual, Type 1* Volkswagen of America, Inc,1972 *The Volkswagen Beetle and Karmann Ghia Service Manual Type 1* 1966 1969 features wiring diagrams including 6 volt systems convertible top repair carburetor rebuilding 30 PICT 1 and 30 PICT 2 and comprehensive year and model specifications and troubleshooting tables Amazon com **Technical Manual** United States. War Department,1953 **Volkswagen Transporter T4 Workshop Manual** Brooklands Books Ltd,2005 Covers Diesel models from 2000 on powered by 1 9 2 4 2 5 TDI diesel engines Step by step instructions for service overhaul operations **Road and Track** ,1971 **Power Transistors and Power Hybrid Circuits** RCA Corporation. Solid State Division,1973 **Electronic Technician** ,1962 *Volkswagen Transporter T4 Workshop Manual Diesel Models - Years 1996 to 1999* Brooklands Books Ltd,2005 Covers Van 800 1000 1200 Caravelle CL bus long short wheelbase powered by 1 9L 2 4L 2 5L TDI diesel engines **VW Volkswagen Transporter T4** Brooklands Books Ltd,2004-09 Covers petrol models from 1996 on powered by 1 8L 2 0L 4 cyl 2 5L 5 cyl petrol engines Step by step instructions for service overhaul operations **VW Transporter T4 Workshop Manual Diesel 2000-2004** Greg Hudock,2012 Covers all T4 diesel vehicles from 2000 to the end of 2004 including Vans 800 1 000 and 1 200 Caravelle CL and GL Bus long and short wheelbase Engines covered Diesel 1 9L 2 4L 2 5L TDI with a manual gearbox only 164 large pages including 11 pages of wiring over 200 illustrations Volkswagen Transporters T4 Workshop Manual Owners Edition,2023-01-31 COVERING SHORT LONG WHEELBASE VAN CARAVELLE BUS 2 0 2 5L PETROL AND 1 9 2 4L DIESEL ENGINES MANUAL TRANSMISSION DRIVE SHAFTS CLUTCH FUEL IGNITION LUBRICATION COOLING SYSTEMS SUSPENSION STEERING BRAKING ELECTRICS BODYWORK PLUS WIRING DIAGRAMS This Owners Edition Workshop Manual covers the VW Transporter Type 4 T4 which was introduced in December 1990 fitted with 2 0 and 2 5 litre petrol engines and 1 9 and 2 4 litre diesel engines It has been specially written for the practical owner who wants to maintain a vehicle in first class condition and carry out the bulk of his or her own servicing and repairs Comprehensive step by step instructions are provided for service and overhaul operations to guide the reader through what might otherwise be unfamiliar and complicated tasks Numerous drawings are included to amplify the text With the aid of this manual many aspects of service overhaul and repair are within the scope of an owner with a reasonable degree of mechanical aptitude Some operations however demand more skill Other jobs require the use of special tools and in some cases testing facilities and techniques that are not generally available Only you can judge whether a job is within your capabilities We do however try to assist the reader to come to an informed decision Whilst every effort has been made to ensure that the information provided is correct it is obviously not possible to guarantee complete freedom from errors or omissions Information to be found in the driver s handbook is not necessarily duplicated here and it is not possible within this volume to cover every aspect to be found in the manufacturer s own workshop manual which is of much greater

size and complexity However it should be consulted if more detailed information is needed Always remember that you are responsible for your own safety and that of others when working on a vehicle Take particular care with safety related systems like the brakes and steering and seek professional advice if in any doubt Never work under a vehicle unless it is properly supported a single jack is not enough Take care with power tools also regard as potentially harmful fuel lubricants solvents and sealers which should always be and kept in labelled sealed containers With care and common sense the practical owner can make an excellent job of maintenance and overhaul The benefits include money saved and the satisfaction of work well done You will be adding to your knowledge too knowing more about the vehicle you own will help you to make logical decisions about what needs to be done even if it does in some instances have to go into a professional repair shop The Volkswagen Transporter T4 is a vehicle that will respond to careful regular servicing and is built to a standard that will ensure a long life if this is remembered **Volkswagen Wiring Diagram Booklet, 1993-1994**

,2004-01-31 **How to Convert your Volkswagen T4/T5 into a Camper Van** Lawrence Butcher,2015-01-26 The ultimate guide to converting your Volkswagen T4 or T5 into a camper van at home or in the workshop With step by step instructions and photography throughout this book clearly demonstrates how to safely and effectively transform your VW van into a practical affordable camper using DIY skills and basic hand and power tools Geared towards the home builder the book covers buying guides and planning tools materials costs and legalities insulation carpet lining and flooring fitting a pop top roof and windows building interior units doors and drawers fitting a rock and roll bed roof beds and swivel seats and finally installing water gas and electricity with safety at the forefront Fully illustrated with 435 colour photographs and step by step instructions [Volkswagen Transporter \(Type 2\) Workshop Manual: 1950-1962](#) Volkswagen of America,2002-10-01 Now available for the first time as a single volume is the Volkswagen Transporter Workshop Manual 1950 1962 for models sold in the USA and Canada This manual is a reproduction of the original air cooled Volkswagen service and repair information This historical archive edition covers procedures for routine maintenance troubleshooting repair and rebuilding Air cooled Volkswagens Type 2 covered Volkswagen Type 2 Ambulance Volkswagen Type 2 Delivery Van Volkswagen Type 2 Kombi Volkswagen Type 2 Micro Bus Volkswagen Type 2 Micro Bus De Luxe Volkswagen Type 2 Pick up Engines covered in this Volkswagen repair manual Volkswagen Air cooled Type 1 upright engine 1131cc 25hp Volkswagen Air cooled Type 1 upright engine 1192cc 36hp Volkswagen Air cooled Type 1 upright engine 1192cc 40hp Transmissions covered in this Volkswagen repair manual Volkswagen fully synchronized 4 speed manual transmission Technical highlights Engine and cylinder head service repair and reconditioning including bench testing procedures and specifications for 25 through 40 hp motors Solex 26 VFIS 28 PCI and 28 PICT carburetors as well as fuel pump troubleshooting rebuilding and adjustment Transmission removal rebuilding and adjustment including early and later versions Body repair and replacement procedures including the sliding fabric sunroof Detailed painting preparation and procedures Wiring diagrams identified by year Factory changes and

updates are noted in the text by manufacturing date chassis number engine number or part number Full explanations of the operation various systems with exploded views cutaways and diagrams Required workshop equipment tools and equipment for local manufacture listings Troubleshooting tables for clutch carburetor fuel pump steering brakes generator starter and wipers Maintenance and lubrication charts and procedures *VW Transporter (T4) Diesel* John S. Mead,2014 **Boyce's Wiring Diagram Manual: Mitsubishi TE MAGNA 2.4L, Mitsubishi TE MAGNA 3.0L, Mitsubishi TF MAGNA 2.4L, Mitsubishi TF MAGNA 3.0L, Mitsubishi KE VERADA 3.5L, Mitsubishi KF VERADA 3.5L** ,2001 **Automotive Wiring Diagrams** Universal Publishers,1998-03-01 Volkswagen Passat ,1996 Bentley Publishers is the exclusive factory authorized publisher of Volkswagen Service Manuals in the United States and Canada In every manual we provide full factory repair procedures specifications tolerances electrical wiring diagrams and lubrication and maintenance information Bentley manuals are the only complete authoritative source of Volkswagen maintenance and repair information Even if you never intend to service your car yourself you ll find that owning a Bentley Manual will help you to discuss repairs more intelligently with your service technician Volkswagen T4 1990-2003 Richard Copping,2013-11-30 Here Volkswagen enthusiast and prolific author Richard Copping examines for the first time the complete story of the T4 from the Transporter concept originated forty years before its presence at VW s Hanover factory through its development period and full production life Topics covered include the background story 1949 1990 design concept to production in the 1980s full analysis of the T4 s specifications face lifted Caravelles and Multivans from 1996 onwards petrol and diesel aspirated engines including the VR6 V6 and 2 5 litre TDI the T4 story in the USA the Euro Van and finally camping conversions The complete story of the Volkswagen T4 produced between 1990 and 2003 and the first book in the English language to have been written illustrated and published solely about the T4 beautifully illustrated with 300 colour photographs a sparkling mixture of archive and modern day imagery *Automotive Wiring Diagrams* ,1993

Thank you unconditionally much for downloading **Wiring Diagram Vw T4**. Maybe you have knowledge that, people have look numerous period for their favorite books past this Wiring Diagram Vw T4, but end occurring in harmful downloads.

Rather than enjoying a good PDF taking into account a mug of coffee in the afternoon, instead they juggled gone some harmful virus inside their computer. **Wiring Diagram Vw T4** is understandable in our digital library an online entrance to it is set as public appropriately you can download it instantly. Our digital library saves in multipart countries, allowing you to acquire the most less latency times to download any of our books taking into consideration this one. Merely said, the Wiring Diagram Vw T4 is universally compatible as soon as any devices to read.

https://about.livewellcolorado.org/book/Resources/Download_PDFS/User_Manual_For_Htc_Tytn.pdf

Table of Contents Wiring Diagram Vw T4

1. Understanding the eBook Wiring Diagram Vw T4
 - The Rise of Digital Reading Wiring Diagram Vw T4
 - Advantages of eBooks Over Traditional Books
2. Identifying Wiring Diagram Vw T4
 - Exploring Different Genres
 - Considering Fiction vs. Non-Fiction
 - Determining Your Reading Goals
3. Choosing the Right eBook Platform
 - Popular eBook Platforms
 - Features to Look for in an Wiring Diagram Vw T4
 - User-Friendly Interface
4. Exploring eBook Recommendations from Wiring Diagram Vw T4
 - Personalized Recommendations
 - Wiring Diagram Vw T4 User Reviews and Ratings
 - Wiring Diagram Vw T4 and Bestseller Lists

5. Accessing Wiring Diagram Vw T4 Free and Paid eBooks
 - Wiring Diagram Vw T4 Public Domain eBooks
 - Wiring Diagram Vw T4 eBook Subscription Services
 - Wiring Diagram Vw T4 Budget-Friendly Options
6. Navigating Wiring Diagram Vw T4 eBook Formats
 - ePub, PDF, MOBI, and More
 - Wiring Diagram Vw T4 Compatibility with Devices
 - Wiring Diagram Vw T4 Enhanced eBook Features
7. Enhancing Your Reading Experience
 - Adjustable Fonts and Text Sizes of Wiring Diagram Vw T4
 - Highlighting and Note-Taking Wiring Diagram Vw T4
 - Interactive Elements Wiring Diagram Vw T4
8. Staying Engaged with Wiring Diagram Vw T4
 - Joining Online Reading Communities
 - Participating in Virtual Book Clubs
 - Following Authors and Publishers Wiring Diagram Vw T4
9. Balancing eBooks and Physical Books Wiring Diagram Vw T4
 - Benefits of a Digital Library
 - Creating a Diverse Reading Collection Wiring Diagram Vw T4
10. Overcoming Reading Challenges
 - Dealing with Digital Eye Strain
 - Minimizing Distractions
 - Managing Screen Time
11. Cultivating a Reading Routine Wiring Diagram Vw T4
 - Setting Reading Goals Wiring Diagram Vw T4
 - Carving Out Dedicated Reading Time
12. Sourcing Reliable Information of Wiring Diagram Vw T4
 - Fact-Checking eBook Content of Wiring Diagram Vw T4
 - Distinguishing Credible Sources
13. Promoting Lifelong Learning

-
- Utilizing eBooks for Skill Development
 - Exploring Educational eBooks
14. Embracing eBook Trends
- Integration of Multimedia Elements
 - Interactive and Gamified eBooks

Wiring Diagram Vw T4 Introduction

In today's digital age, the availability of Wiring Diagram Vw T4 books and manuals for download has revolutionized the way we access information. Gone are the days of physically flipping through pages and carrying heavy textbooks or manuals. With just a few clicks, we can now access a wealth of knowledge from the comfort of our own homes or on the go. This article will explore the advantages of Wiring Diagram Vw T4 books and manuals for download, along with some popular platforms that offer these resources. One of the significant advantages of Wiring Diagram Vw T4 books and manuals for download is the cost-saving aspect. Traditional books and manuals can be costly, especially if you need to purchase several of them for educational or professional purposes. By accessing Wiring Diagram Vw T4 versions, you eliminate the need to spend money on physical copies. This not only saves you money but also reduces the environmental impact associated with book production and transportation. Furthermore, Wiring Diagram Vw T4 books and manuals for download are incredibly convenient. With just a computer or smartphone and an internet connection, you can access a vast library of resources on any subject imaginable. Whether you're a student looking for textbooks, a professional seeking industry-specific manuals, or someone interested in self-improvement, these digital resources provide an efficient and accessible means of acquiring knowledge. Moreover, PDF books and manuals offer a range of benefits compared to other digital formats. PDF files are designed to retain their formatting regardless of the device used to open them. This ensures that the content appears exactly as intended by the author, with no loss of formatting or missing graphics. Additionally, PDF files can be easily annotated, bookmarked, and searched for specific terms, making them highly practical for studying or referencing. When it comes to accessing Wiring Diagram Vw T4 books and manuals, several platforms offer an extensive collection of resources. One such platform is Project Gutenberg, a nonprofit organization that provides over 60,000 free eBooks. These books are primarily in the public domain, meaning they can be freely distributed and downloaded. Project Gutenberg offers a wide range of classic literature, making it an excellent resource for literature enthusiasts. Another popular platform for Wiring Diagram Vw T4 books and manuals is Open Library. Open Library is an initiative of the Internet Archive, a non-profit organization dedicated to digitizing cultural artifacts and making them accessible to the public. Open Library hosts millions of books, including both public domain works and contemporary titles. It also allows users to borrow digital copies of certain books for a limited

period, similar to a library lending system. Additionally, many universities and educational institutions have their own digital libraries that provide free access to PDF books and manuals. These libraries often offer academic texts, research papers, and technical manuals, making them invaluable resources for students and researchers. Some notable examples include MIT OpenCourseWare, which offers free access to course materials from the Massachusetts Institute of Technology, and the Digital Public Library of America, which provides a vast collection of digitized books and historical documents. In conclusion, Wiring Diagram Vw T4 books and manuals for download have transformed the way we access information. They provide a cost-effective and convenient means of acquiring knowledge, offering the ability to access a vast library of resources at our fingertips. With platforms like Project Gutenberg, Open Library, and various digital libraries offered by educational institutions, we have access to an ever-expanding collection of books and manuals. Whether for educational, professional, or personal purposes, these digital resources serve as valuable tools for continuous learning and self-improvement. So why not take advantage of the vast world of Wiring Diagram Vw T4 books and manuals for download and embark on your journey of knowledge?

FAQs About Wiring Diagram Vw T4 Books

How do I know which eBook platform is the best for me? Finding the best eBook platform depends on your reading preferences and device compatibility. Research different platforms, read user reviews, and explore their features before making a choice. Are free eBooks of good quality? Yes, many reputable platforms offer high-quality free eBooks, including classics and public domain works. However, make sure to verify the source to ensure the eBook credibility. Can I read eBooks without an eReader? Absolutely! Most eBook platforms offer webbased readers or mobile apps that allow you to read eBooks on your computer, tablet, or smartphone. How do I avoid digital eye strain while reading eBooks? To prevent digital eye strain, take regular breaks, adjust the font size and background color, and ensure proper lighting while reading eBooks. What the advantage of interactive eBooks? Interactive eBooks incorporate multimedia elements, quizzes, and activities, enhancing the reader engagement and providing a more immersive learning experience. Wiring Diagram Vw T4 is one of the best book in our library for free trial. We provide copy of Wiring Diagram Vw T4 in digital format, so the resources that you find are reliable. There are also many Ebooks of related with Wiring Diagram Vw T4. Where to download Wiring Diagram Vw T4 online for free? Are you looking for Wiring Diagram Vw T4 PDF? This is definitely going to save you time and cash in something you should think about. If you trying to find then search around for online. Without a doubt there are numerous these available and many of them have the freedom. However without doubt you receive whatever you purchase. An alternate way to get ideas is always to check another Wiring Diagram Vw T4. This method for see exactly what may be included and

adopt these ideas to your book. This site will almost certainly help you save time and effort, money and stress. If you are looking for free books then you really should consider finding to assist you try this. Several of Wiring Diagram Vw T4 are for sale to free while some are payable. If you arent sure if the books you would like to download works with for usage along with your computer, it is possible to download free trials. The free guides make it easy for someone to free access online library for download books to your device. You can get free download on free trial for lots of books categories. Our library is the biggest of these that have literally hundreds of thousands of different products categories represented. You will also see that there are specific sites catered to different product types or categories, brands or niches related with Wiring Diagram Vw T4. So depending on what exactly you are searching, you will be able to choose e books to suit your own need. Need to access completely for Campbell Biology Seventh Edition book? Access Ebook without any digging. And by having access to our ebook online or by storing it on your computer, you have convenient answers with Wiring Diagram Vw T4 To get started finding Wiring Diagram Vw T4, you are right to find our website which has a comprehensive collection of books online. Our library is the biggest of these that have literally hundreds of thousands of different products represented. You will also see that there are specific sites catered to different categories or niches related with Wiring Diagram Vw T4 So depending on what exactly you are searching, you will be able to choose ebook to suit your own need. Thank you for reading Wiring Diagram Vw T4. Maybe you have knowledge that, people have search numerous times for their favorite readings like this Wiring Diagram Vw T4, but end up in harmful downloads. Rather than reading a good book with a cup of coffee in the afternoon, instead they juggled with some harmful bugs inside their laptop. Wiring Diagram Vw T4 is available in our book collection an online access to it is set as public so you can download it instantly. Our digital library spans in multiple locations, allowing you to get the most less latency time to download any of our books like this one. Merely said, Wiring Diagram Vw T4 is universally compatible with any devices to read.

Find Wiring Diagram Vw T4 :

[user manual for htc tytn](#)

user guide template for website

[user manual for the 3107 delonghi tower heater radiator](#)

user manual for santa fe navigation system

user manual motorola droid r2d2

[user guide linksys befsr41 manual](#)

[user guide motorola razrv3](#)

[user manual memorex model 3300](#)

[user manual lg dare vx9700](#)

[user manual saeco odea giro full](#)

[user guide seat leon](#)

[user manual canon g15](#)

[user manual fiat sedici car](#)

[user guide hp scanjet 5590](#)

[user guide for sony xperia l](#)

Wiring Diagram Vw T4 :

pdf application of genetic algorithm for the bin packing - Oct 05 2022

web oct 1 2010 genetic algorithm has been applied to bin packing problem and also solved many combinatorial optimization problems in section 4 listed out few applications related to genetic

genetic algorithm for bin packing by matlab pdf 2023 - Jan 28 2022

web melanie mitchell 1998 03 02 genetic algorithms have been used in science and engineering as adaptive algorithms for solving practical problems and as computational models of natural evolutionary systems

genetic algorithm matlab simulink mathworks - Mar 30 2022

web a genetic algorithm ga is a method for solving both constrained and unconstrained optimization problems based on a natural selection process that mimics biological evolution the algorithm repeatedly modifies a population of individual solutions

a distributed chromosome genetic algorithm for bin packing - Aug 03 2022

web a genetic algorithm for rapid prototyping garp was developed to help optimize the bin packing of the sinterstation 2000 garp s execution time is lengthy depending on the number of parts that

genetic algorithm for bin packing problem codeproject - Mar 10 2023

web aug 8 2013 genetic algorithm describe in this article is designed for solving 1d bin packing problem hybrid grouping genetic algorithm hgga solution representation and genetic operations used in standard and ordering genetic algorithms are not suitable for grouping problems such as bin packing

2d bin packing github topics github - Jun 01 2022

web sep 13 2023 an approximation algorithm to solve two dimensional bin packing problem using binary tree as its fundamental concept bin packing binary tree 2d bin packing bin packing problem updated on dec 12 2022

janet 19 3d bin packing problem github - Apr 30 2022

web jul 26 2020 basic logic of 3d bin packing model the core logic of 3d bin packing model based on heuristic algorithm to be specific from a list of items items are sorted from the biggest to the smallest and be placed in such ordering into a list of bins simultaneously orientation selection module

[bin packing problem using ga pso fa and iwo file exchange matlab](#) - Jul 14 2023

web sep 20 2015 matlab implementation of ga pso fa and iwo for bin packing problem 0 0 0 1 2k downloads updated 20 sep 2015 view license follow download overview functions version history reviews 0 discussions 0 for more information see check the following link yarpiz com 363 ypap105 bin packing problem cite as

a new design of genetic algorithm for bin packing ieeexplore - Sep 04 2022

web dec 12 2003 abstract in this paper a new design of genetic algorithm ga is proposed for solving the one dimensional bin packing problem which is to pack a given set of items into the minimum number of bins ga should be designed in such a way that offspring inherit important factors of parents

practical applications of bin packing using genetic algorithm - Dec 07 2022

web mar 16 2018 i am doing research on genetic algorithms for solving the bin packing problem i can understand the process now but since the final output is a set of solutions for one list of items i cannot figure out why do we need a set of solutions for one list of items when one solution should be enough

[2d bin packing problem with genetic algorithm in matlab](#) - Feb 26 2022

web 2d bin packing problem with genetic algorithm in matlab search form the following matlab project contains the source code and matlab examples used for 2d bin packing problem with genetic algorithm

2d bin packing problem with genetic algorithm file exchange matlab - Jan 08 2023

web jun 14 2011 there are several mutations places exchange small jump big jump random visible invisible random rotation at 90 degrees jumps to nearest box run ga 2d box packing m how it works youtube com watch v qh 2sxs3gj0 2d bin packing problem with genetic algorithm watch on

github inylschek binpackinggeneticalgorithm matlab code to - May 12 2023

web jun 9 2014 matlab code to solve the bin packing algorithm for a set number of randomly sized objects additional code allows you to examine the properties of the mutation operator github inylschek binpa

a general genetic algorithm for one and two dimensional - Apr 11 2023

web 2 4 2 1 two dimensional bin packing problem 2bpp 19 2 4 2 2 two dimensional strip packing problem 2sp 19 3 genetic algorithms applied to cutting and packing problems 34 5 8 a matlab structure for the two dimensional strip packing problem 108 5 9 a matlab structure for a two dimensional irregular strip packing prob

2d bin packing problem with genetic algorithm file exchange matlab - Aug 15 2023

web jun 14 2011 2d bin packing problem with genetic algorithm the task is to pack big box with several small boxes the objective is to maximize total area of all small boxes i made fitness in follow way it is area minus penalty in case of overlapping small boxes also overlapping area subtracted from fitness

bin packing problem using ga pso fa and iwo yarpiz - Nov 06 2022

web matlab implementation of solving bin packing problem using genetic algorithm ga particle swarm optimization pso firefly algorithm fa and invasive weed optimization iwo download

genetik algoritma yaklaşımı ile bin packing problemi matlab - Jun 13 2023

web herkese merhabalar bu videoda bin packing problemini ele aldık problem kodlarına github linkinden ulaşabilirsiniz github github com alidemirkaya

pdf bin packing using genetic algorithms researchgate - Feb 09 2023

web mar 28 2005 we present in this paper a genetic algorithm ga approach to solve 2 d bin packing problems of polygonal shapes on a rectangular canvas we present how to encode shape parameters and a

genetic algorithm for bin packing by matlab - Dec 27 2021

web genetic algorithm for bin packing by matlab this is likewise one of the factors by obtaining the soft documents of this genetic algorithm for bin packing by matlab by online you might not require more get older to spend to go to the ebook establishment as competently as search for them

genetic algorithm matlab simulink mathworks - Jul 02 2022

web genetic algorithm solves smooth or nonsmooth optimization problems with any types of constraints including integer constraints it is a stochastic population based algorithm that searches randomly by mutation and crossover among population members

bilangan berpangkat dan bentuk akar pengertian sifat contoh - Feb 10 2023

web rumus bilangan berpangkat adalah a^n a sebanyak n kali jenis jenis bilangan berpangkat ada beberapa jenis bilangan berpangkat yang paling sering dibahas yaitu bilangan berpangkat positif bilangan berpangkat negatif dan bilangan berpangkat nol 0 bilangan berpangkat positif

cara mengerjakan soal operasi bilangan berpangkat kompas com - May 13 2023

web jul 17 2023 kompas com dikutip dari buku super complete rumus matematika ipa smp mts kelas 7 8 9 2019 oleh elis khoerunnisa dan arinta bilangan berpangkat atau perpangkatan adalah perkalian berulang dengan bilangan sama

cara menyelesaikan operasi perpangkatan pada bentuk aljabar - Mar 31 2022

web aug 27 2018 tahukah kamu setiap perkalian berulang dapat ditulis secara ringkas dengan menggunakan notasi

bilangan berpangkat seperti di bawah ini 5^2 dibaca 5 pangkat 2 nah jadi jawabannya sudah pada tahu ya yaitu $5^2 = 5 \times 5 = 25$

orang anak

pengertian bilangan berpangkat lengkap dengan rumus sifat - Jul 15 2023

web nov 20 2022 rumus bilangan berpangkat rumus bilangan berpangkat yang dimaksud adalah bentuk umum bilangan yang dipangkatkan adapun bentuk umumnya adalah sebagai berikut a^b dengan a basis dan b pangkat dari rumus di atas a disebut sebagai basis atau bilangan pokok dasar dan b adalah pangkat atau eksponen

eksponen bilangan berpangkat pengertian sifat contoh - Aug 16 2023

web jun 24 2022 1 pangkat penjumlahan jika ada perkalian eksponen dengan basis yang sama maka pangkatnya harus ditambah bisa dituliskan sebagai berikut $a^m \times a^n = a^{m+n}$ contoh $2^4 \times 2^2 = 2^{4+2} = 2^6 = 64$ 2 pangkat pengurangan jika ada pembagian eksponen dengan basis yang sama maka pangkatnya harus dikurang bisa dituliskan sebagai

rumus bilangan berpangkat materipintar com - Mar 11 2023

web sep 1 2023 rumus bilangan berpangkat digunakan untuk menghitung hasil dari operasi tersebut dalam rumus ini bilangan pokok akan dipangkatkan dengan eksponen dan hasilnya akan diperoleh secara umum rumus bilangan berpangkat dapat dituliskan sebagai bilangan pokok eksponen hasil di mana bilangan pokok adalah bilangan

cara menghitung pangkat sifat dan tabel perpangkatan - Oct 06 2022

web jika p merupakan bilangan pokok dan m n merupakan pangkat dengan $p^m \times p^n = p^{m+n}$ merupakan bilangan real berlaku catatan sifat khusus berikut berlaku pada operasi antar bilangan berpangkat apabila bilangan pokok masing masing bernilai sama $p^m \times p^n = p^{m+n}$ contoh $3^2 \times 3^4 = 3^{2+4} = 3^6 = 729$

bilangan berpangkat jenis sifat operasi hitung soal - Apr 12 2023

web operasi hitung bilangan berpangkat 1 sifat perkalian bilangan berpangkat 2 sifat pembagian bilangan berpangkat 3 sifat perpangkatan bilangan berpangkat 4 sifat perpangkatan suatu perkalian dua bilangan 5 sifat

rumus operasi bilangan berpangkat berotak - Jan 09 2023

web mar 2 2023 rumus operasi bilangan berpangkat rumus operasi bilangan berpangkat adalah $a^n = a \times a \times a \times a$ sebanyak n kali dalam rumus tersebut a adalah bilangan yang dioperasikan n adalah pangkat bilangan dan tanda sering digunakan untuk menunjukkan pangkat misalnya 2 pangkat 3 dapat ditulis sebagai 2^3

matematika smp bilangan berpangkat 1 youtube - Dec 28 2021

web jul 23 2019 legurules matematikasmp kurikulummerdeka video kali ini membahas materi matematika smp kurikulum merdeka bilangan berpangkat 1 bilangan berpangkat pos

rumus rumus pangkat maths id - Jun 14 2023

web salah satu rumus yang perlu dipahami dipahami dalam belajar matematika adalah rumus pangkat eksponen mari kita bahas beberapa rumus terkait konsep pangkat atau eksponen perkalian bilangan berpangkat perhatikan perkalian dua

bilangan berpangkat berikut $2^3 \times 2^4$

kelas pintar - May 01 2022

web operasi bilangan berpangkat seperti yang sudah disebutkan bilangan berpangkat adalah sebuah cara penyebutan sederhana bagi perkalian berluang sedangkan itu operasi bilangan berpangkat adalah cara menghitungnya bilangan berpangkat juga memiliki jenis jenis tertentu yang akan dibagi menjadi 3 jenis yaitu positif nol maupun

bilangan berpangkat pengertian sifat operasi dan contoh soal - Aug 04 2022

web operasi bilangan berpangkat dalam operasi bilangan berpangkat terdapat aturan yang perlu diperhatikan yaitu perkalian dan pembagian aturan perkalian berhubungan dengan bentuk penjumlahan sedangkan aturan pembagian berkaitan dengan bentuk pengurangan berikut operasi dan contoh soal dari bilangan berpangkat

rumus penjumlahan bilangan berpangkat beserta contoh soal - Jul 03 2022

web oct 8 2021 rumus penjumlahan bilangan berpangkat beserta contoh soal dalam pembahasan rumus penjumlahan pangkat ini terdapat beberapa hal yang dijelaskan seperti penjumlahan bilangan berpangkat positif pangkat pecahan bilangan berpangkat negatif dan penjumlahan bilangan berpangkat sama

bilangan berpangkat jenis sifat dan contohnya kompas com - Jun 02 2022

web mar 11 2022 bilangan berpangkat ini dapat dinyatakan dengan rumus sebagai berikut $a \times a \times a \times \dots \times a$ sebanyak n berdasarkan uraian di atas bilangan berpangkat adalah bentuk perkalian berulang dari suatu bilangan yang sama jenis jenis bilangan berpangkat tahukah kamu jenis jenis bilangan berpangkat apakah bilangan

bilangan berpangkat pinhome - Feb 27 2022

web apr 13 2023 rumus bilangan berpangkat jenis jenis bilangan berpangkat 1 bilangan berpangkat positif 2 bilangan berpangkat negatif 3 bilangan berpangkat nol 0 sifat sifat bilangan berpangkat 1 pangkat bulat positif 2 pangkat bulat negatif 3 pangkat nol 4 sifat pangkat bilangan bukat positif 5 pangkat pecahan operasi

bilangan berpangkat pengertian sifat operasi contoh soal - Dec 08 2022

web untuk bilangan berpangkat positif itu sendiri memiliki beberapa sifat tertentu dimana bilangannya terdiri atas a dan b sebagai bilangan real dan m dan n adalah bilangan bulat positif adapun sifat sifat khusus yang dimiliki oleh bilangan berpangkat positif adalah sebagai berikut $a^m \times a^n = a^{m+n}$ $a^m \div a^n = a^{m-n}$ berlaku untuk m dan n serta $b \neq 0$

sifat bilangan berpangkat beserta pengertiannya dalam matematika rumus - Nov 07 2022

web aug 4 2023 sifat bilangan berpangkat bilangan berpangkat merupakan salah satu cabang ilmu matematis yang dipelajari sejak kita duduk di bangku sekolah dasar dan merupakan bentuk kelanjutan dari operasi hitung yang terdiri dari penjumlahan pengurangan pembagian dan perkalian

bilangan berpangkat rumus dan contoh soal serta pembahasannya - Sep 05 2022

web aug 2 2021 rumus bilangan berpangkat contoh soal bilangan berpangkat dengan penjelasan unsplash com eksponen sebagaimana yang sudah dijelaskan sebelumnya adalah suatu bilangan yang menunjukkan seberapa kali bilangan itu dikalikan dengan bilangannya sendiri misalnya 2 2 2 2 dapat ditulis sebagai 2⁴ karena 2 dikalikan

pengertian operasi rumus dan jenis jenis bilangan berpangkat - Jan 29 2022

web may 25 2016 bilangan berpangkat merupakan suatu bilangan yang akan dikali berulang kali sesuai dengan pangkat yang ia miliki misal pada bilangan a^n berarti a dikali berulang kali sebanyak n contoh 6³ 6 x 6 x 6 196 inilah

star wars frames amazon com - Oct 05 2023

web oct 29 2013 star wars frames brings together lucas s personal shot by shot selections into a lavishly designed two volume hardcover set one volume for the original trilogy and one volume for the prequel trilogy

star war frames etsy - Feb 14 2022

web star war frames 1 40 of 663 results price home decor star wars character squad photo mat fits 8x10 frame holds 5x7 or 4x6 picture may the force be with you luke leia han chewie r2 d2 c3po aroundthecastle 452 22 00 free shipping

star wars frames 100 postcards boxed set abrams - Jun 01 2023

web nov 10 2015 published in anticipation of star wars the force awakens this postcard collection includes classic characters and stunning intergalactic scenery from the original and prequel trilogies the deluxe keepsake package also functions as a display frame the

star wars frames 100 postcards amazon com - Aug 03 2023

web nov 10 2015 star wars frames 100 postcards is a wonderful collection of postcards that star wars fans will appreciate you may be aware of the book star wars frames that was released a few years ago it was a large set of two books with over 1 400 frames from the star wars films

amazon com star wars box sets - Feb 26 2023

web star wars storybooks for kids bundle of 12 star wars original trilogy books for kids boys girls featuring yoda darth vader more star wars books set by lucas film press star wars boxed set et al jul 10 2023

star wars box sets walmart com - Apr 18 2022

web star wars box sets shop by movie sort by monsters inc shang chi shop all lightyear aladdin funko pop aladdin toys all aladdin all dumbo all frozen all justice league clothing all pokemon all scooby doo all star wars home all toy story all trolls angry birds books angry birds costumes angry birds home decor angry birds kids clothing

3 000 star wars frames book set features george lucas favorite - Apr 30 2023

web dec 21 2010 priced at 3 000 the star wars frames boxed book set documents each installment from the sci fi saga with film images hand picked by the filmmaker the six volume star wars frames

star wars frames boxed set postcards geekalerts - Jan 28 2023

web nov 12 2015 sending postcards may not be as popular today but this star wars frames boxed set may change that you get 102 postcards with imagery from episodes i vi as a cool bonus the keepsake package doubles as a display frame there are also 2 extra cards you can only get from thinkgeek i hope i get o

star wars frames boxed set pdf ri2lly3mhwygy0n do - Sep 04 2023

web 2 star wars frames boxed set 2023 03 24 star wars propaganda cheree also in this irresistibly funny follow up to the breakout bestseller darth vader and son vader sith lord and leader of the galactic empire now faces the trials joys and mood swings of raising his daughter leia as she grows from a sweet little girl into a rebellious

where to buy the complete star wars skywalker saga on 4k blu - Jun 20 2022

web feb 20 2020 complete skywalker saga on 4k blu ray all nine episodic star wars movies are here on 4k blu ray blu ray and digital in a massive collectible box set there are 27 discs in all with 26 hours

amazon com star wars complete box set dvd - Mar 30 2023

web starring daniel radcliffe rupert grint emma watson and john cleese directed by chris columbus star wars shatterpoint core set unleash the force in a galaxy wide adventure tabletop miniatures strategy game for kids and adults ages 14 2 players 90 min playtime made by atomic mass games 38

star wars frames by george lucas 2013 hardcover ebay - Jul 02 2023

web for two years lucas went through more than 150 000 frames per film editing more than 1 million frames down to the 1 416 images that now comprise star wars frames a testament to the hard work craftsmanship and dedication evident

starwars frames etsy - May 20 2022

web check out our starwars frames selection for the very best in unique or custom handmade pieces from our frames shops

star wars trilogy box set vhs for sale ebay - Oct 25 2022

web get the best deals for star wars trilogy box set vhs at ebay com we have a great online selection at the lowest prices with fast free shipping on many items

starwars picture frame etsy - Mar 18 2022

web check out our starwars picture frame selection for the very best in unique or custom handmade pieces from our anniversary gifts shops

star wars frames 100 postcards wookieepedia fandom - Aug 23 2022

web isbn 9781419718113 source star wars frames 100 postcards is an artwork collection from abrams noterie released on november 10 2015 the boxed set includes 100 postcards that capture the same illustrative stills originally published in star wars frames as selected by star wars creator george lucas this article is a stub about a book

star wars the skywalker saga complete box set blu ray - Dec 27 2022

web apr 20 2020 star wars the skywalker saga complete box set blu ray 2019 region free mark hamill actor harrison ford actor george lucas director rated pg 13 format blu ray 4 6 5 612 ratings imdb 8 7 10 0 prime video 99 99 blu ray from 69 36 dvd 55 94 4k 211 24 additional blu ray options edition discs price new from used

amazon com star wars framed art - Jul 22 2022

web amazon com star wars framed art 1 48 of over 6 000 results for star wars framed art results price and other details may vary based on product size and color the empire strikes back poster at at attack canvas framed wars movie wall art for special occasions gift 12x18inch 30x45cm at at wood 71 2499 list 26 99

star wars frames boxed set 2022 zapmap nissan co - Sep 23 2022

web perfect for david mccullough fans and history lovers alike this ebook boxed set features all of his bestselling titles from 1776 to mornings on horseback this e book box set includes all of david

star wars the skywalker saga complete boxset dvd 2019 - Nov 25 2022

web amazon com star wars the skywalker saga complete boxset dvd 2019 mark hamill harrison ford carrie fisher ewan mcgregor daisy ridley george lucas j j abrams rian johnson irvin kershner richard marquand mark hamill harrison ford movies tv movies tv