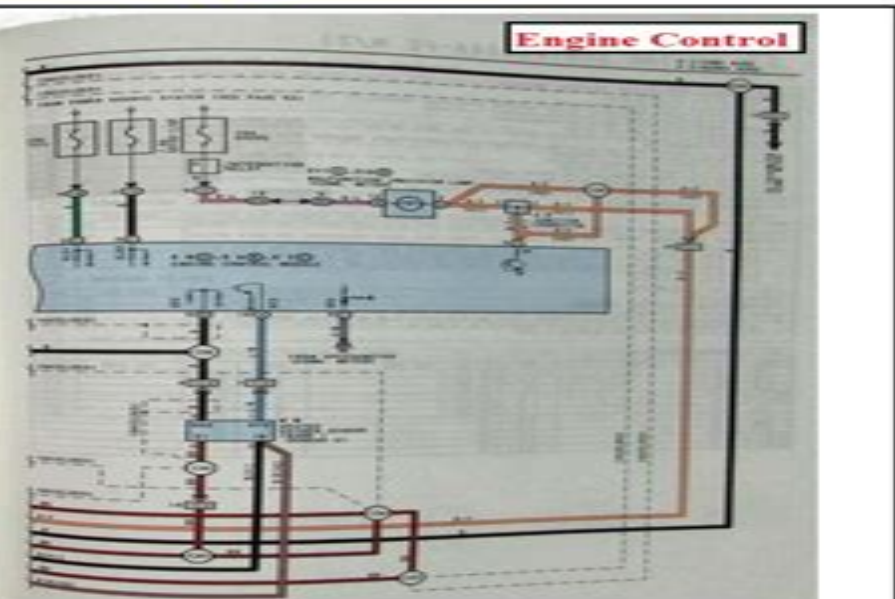
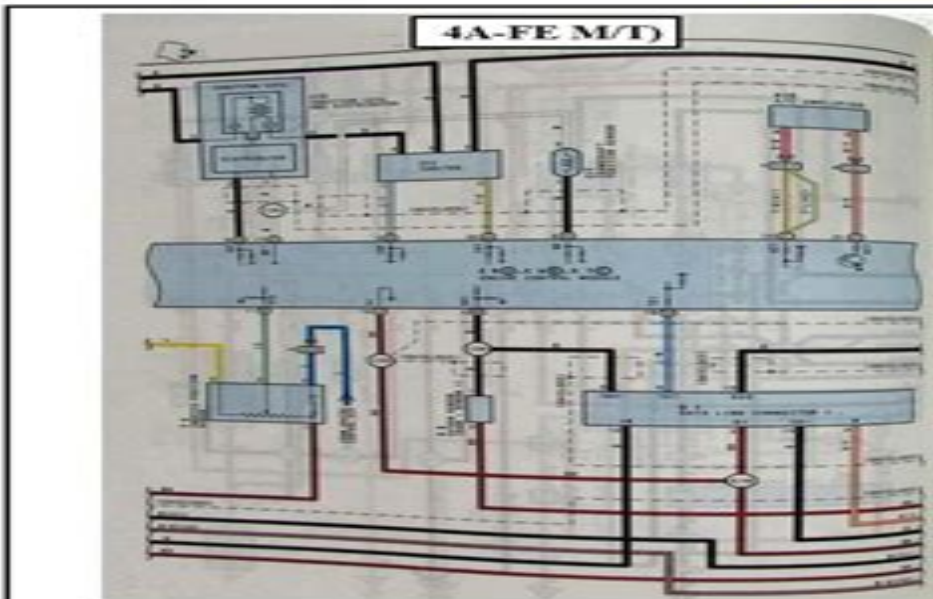
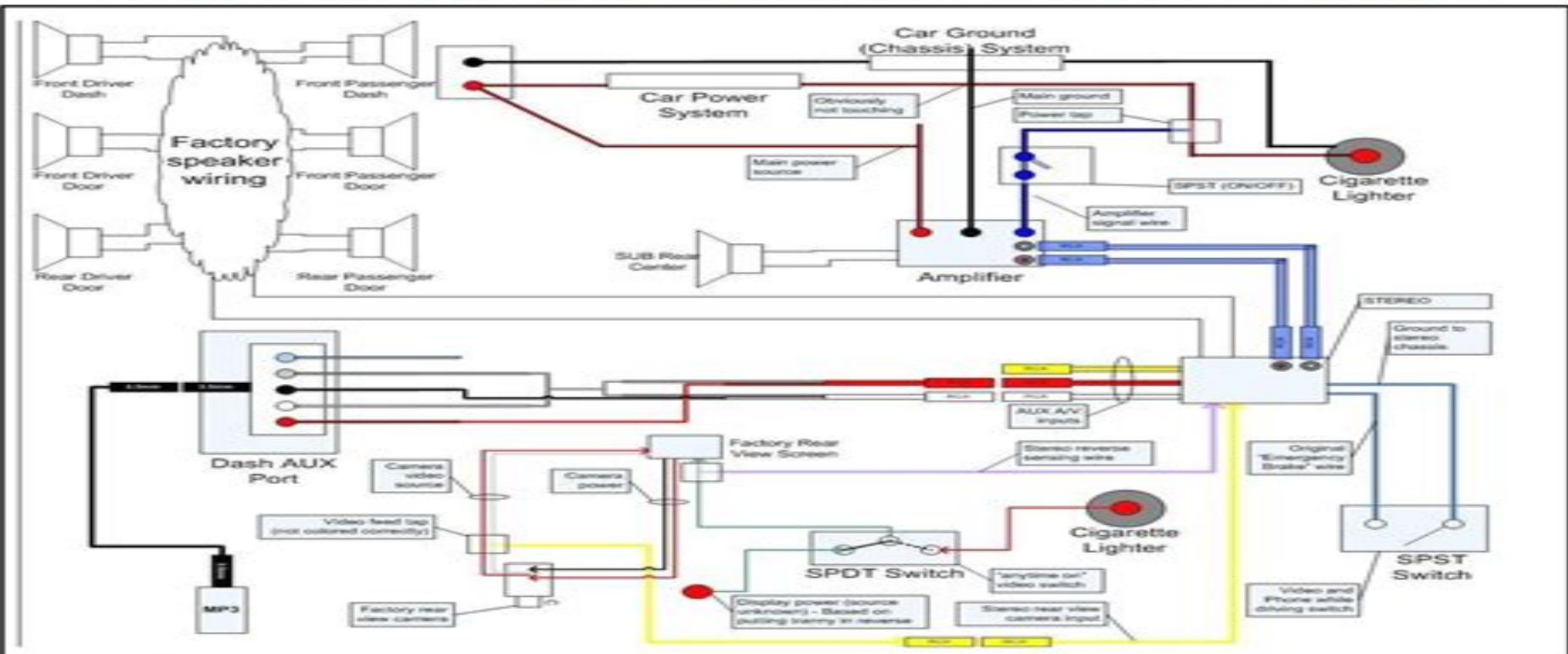


TOYOTA COROLLA ELECTRIC WIRING DIAGRAM



Wiring Diagrams For A 93 Toyota Corolla

N Noddings



Wiring Diagrams For A 93 Toyota Corolla:

Unveiling the Magic of Words: A Review of "**Wiring Diagrams For A 93 Toyota Corolla**"

In a world defined by information and interconnectivity, the enchanting power of words has acquired unparalleled significance. Their capability to kindle emotions, provoke contemplation, and ignite transformative change is truly awe-inspiring. Enter the realm of "**Wiring Diagrams For A 93 Toyota Corolla**," a mesmerizing literary masterpiece penned by way of a distinguished author, guiding readers on a profound journey to unravel the secrets and potential hidden within every word. In this critique, we shall delve into the book's central themes, examine its distinctive writing style, and assess its profound effect on the souls of its readers.

<https://about.livewellcolorado.org/files/book-search/fetch.php/The%20Great%20Gatsby%20Unit%20Guide.pdf>

Table of Contents Wiring Diagrams For A 93 Toyota Corolla

1. Understanding the eBook Wiring Diagrams For A 93 Toyota Corolla
 - The Rise of Digital Reading Wiring Diagrams For A 93 Toyota Corolla
 - Advantages of eBooks Over Traditional Books
2. Identifying Wiring Diagrams For A 93 Toyota Corolla
 - Exploring Different Genres
 - Considering Fiction vs. Non-Fiction
 - Determining Your Reading Goals
3. Choosing the Right eBook Platform
 - Popular eBook Platforms
 - Features to Look for in an Wiring Diagrams For A 93 Toyota Corolla
 - User-Friendly Interface
4. Exploring eBook Recommendations from Wiring Diagrams For A 93 Toyota Corolla
 - Personalized Recommendations
 - Wiring Diagrams For A 93 Toyota Corolla User Reviews and Ratings
 - Wiring Diagrams For A 93 Toyota Corolla and Bestseller Lists

5. Accessing Wiring Diagrams For A 93 Toyota Corolla Free and Paid eBooks
 - Wiring Diagrams For A 93 Toyota Corolla Public Domain eBooks
 - Wiring Diagrams For A 93 Toyota Corolla eBook Subscription Services
 - Wiring Diagrams For A 93 Toyota Corolla Budget-Friendly Options
6. Navigating Wiring Diagrams For A 93 Toyota Corolla eBook Formats
 - ePub, PDF, MOBI, and More
 - Wiring Diagrams For A 93 Toyota Corolla Compatibility with Devices
 - Wiring Diagrams For A 93 Toyota Corolla Enhanced eBook Features
7. Enhancing Your Reading Experience
 - Adjustable Fonts and Text Sizes of Wiring Diagrams For A 93 Toyota Corolla
 - Highlighting and Note-Taking Wiring Diagrams For A 93 Toyota Corolla
 - Interactive Elements Wiring Diagrams For A 93 Toyota Corolla
8. Staying Engaged with Wiring Diagrams For A 93 Toyota Corolla
 - Joining Online Reading Communities
 - Participating in Virtual Book Clubs
 - Following Authors and Publishers Wiring Diagrams For A 93 Toyota Corolla
9. Balancing eBooks and Physical Books Wiring Diagrams For A 93 Toyota Corolla
 - Benefits of a Digital Library
 - Creating a Diverse Reading Collection Wiring Diagrams For A 93 Toyota Corolla
10. Overcoming Reading Challenges
 - Dealing with Digital Eye Strain
 - Minimizing Distractions
 - Managing Screen Time
11. Cultivating a Reading Routine Wiring Diagrams For A 93 Toyota Corolla
 - Setting Reading Goals Wiring Diagrams For A 93 Toyota Corolla
 - Carving Out Dedicated Reading Time
12. Sourcing Reliable Information of Wiring Diagrams For A 93 Toyota Corolla
 - Fact-Checking eBook Content of Wiring Diagrams For A 93 Toyota Corolla
 - Distinguishing Credible Sources
13. Promoting Lifelong Learning

- Utilizing eBooks for Skill Development
 - Exploring Educational eBooks
14. Embracing eBook Trends
- Integration of Multimedia Elements
 - Interactive and Gamified eBooks

Wiring Diagrams For A 93 Toyota Corolla Introduction

In today's digital age, the availability of Wiring Diagrams For A 93 Toyota Corolla books and manuals for download has revolutionized the way we access information. Gone are the days of physically flipping through pages and carrying heavy textbooks or manuals. With just a few clicks, we can now access a wealth of knowledge from the comfort of our own homes or on the go. This article will explore the advantages of Wiring Diagrams For A 93 Toyota Corolla books and manuals for download, along with some popular platforms that offer these resources. One of the significant advantages of Wiring Diagrams For A 93 Toyota Corolla books and manuals for download is the cost-saving aspect. Traditional books and manuals can be costly, especially if you need to purchase several of them for educational or professional purposes. By accessing Wiring Diagrams For A 93 Toyota Corolla versions, you eliminate the need to spend money on physical copies. This not only saves you money but also reduces the environmental impact associated with book production and transportation. Furthermore, Wiring Diagrams For A 93 Toyota Corolla books and manuals for download are incredibly convenient. With just a computer or smartphone and an internet connection, you can access a vast library of resources on any subject imaginable. Whether you're a student looking for textbooks, a professional seeking industry-specific manuals, or someone interested in self-improvement, these digital resources provide an efficient and accessible means of acquiring knowledge. Moreover, PDF books and manuals offer a range of benefits compared to other digital formats. PDF files are designed to retain their formatting regardless of the device used to open them. This ensures that the content appears exactly as intended by the author, with no loss of formatting or missing graphics. Additionally, PDF files can be easily annotated, bookmarked, and searched for specific terms, making them highly practical for studying or referencing. When it comes to accessing Wiring Diagrams For A 93 Toyota Corolla books and manuals, several platforms offer an extensive collection of resources. One such platform is Project Gutenberg, a nonprofit organization that provides over 60,000 free eBooks. These books are primarily in the public domain, meaning they can be freely distributed and downloaded. Project Gutenberg offers a wide range of classic literature, making it an excellent resource for literature enthusiasts. Another popular platform for Wiring Diagrams For A 93 Toyota Corolla books and manuals is Open Library. Open Library is an initiative of the Internet Archive, a non-profit organization dedicated to digitizing cultural artifacts and making them accessible to the public. Open Library hosts millions

of books, including both public domain works and contemporary titles. It also allows users to borrow digital copies of certain books for a limited period, similar to a library lending system. Additionally, many universities and educational institutions have their own digital libraries that provide free access to PDF books and manuals. These libraries often offer academic texts, research papers, and technical manuals, making them invaluable resources for students and researchers. Some notable examples include MIT OpenCourseWare, which offers free access to course materials from the Massachusetts Institute of Technology, and the Digital Public Library of America, which provides a vast collection of digitized books and historical documents. In conclusion, Wiring Diagrams For A 93 Toyota Corolla books and manuals for download have transformed the way we access information. They provide a cost-effective and convenient means of acquiring knowledge, offering the ability to access a vast library of resources at our fingertips. With platforms like Project Gutenberg, Open Library, and various digital libraries offered by educational institutions, we have access to an ever-expanding collection of books and manuals. Whether for educational, professional, or personal purposes, these digital resources serve as valuable tools for continuous learning and self-improvement. So why not take advantage of the vast world of Wiring Diagrams For A 93 Toyota Corolla books and manuals for download and embark on your journey of knowledge?

FAQs About Wiring Diagrams For A 93 Toyota Corolla Books

What is a Wiring Diagrams For A 93 Toyota Corolla PDF? A PDF (Portable Document Format) is a file format developed by Adobe that preserves the layout and formatting of a document, regardless of the software, hardware, or operating system used to view or print it. **How do I create a Wiring Diagrams For A 93 Toyota Corolla PDF?** There are several ways to create a PDF: Use software like Adobe Acrobat, Microsoft Word, or Google Docs, which often have built-in PDF creation tools. Print to PDF: Many applications and operating systems have a "Print to PDF" option that allows you to save a document as a PDF file instead of printing it on paper. Online converters: There are various online tools that can convert different file types to PDF. **How do I edit a Wiring Diagrams For A 93 Toyota Corolla PDF?** Editing a PDF can be done with software like Adobe Acrobat, which allows direct editing of text, images, and other elements within the PDF. Some free tools, like PDFescape or Smallpdf, also offer basic editing capabilities. **How do I convert a Wiring Diagrams For A 93 Toyota Corolla PDF to another file format?** There are multiple ways to convert a PDF to another format: Use online converters like Smallpdf, Zamzar, or Adobe Acrobat's export feature to convert PDFs to formats like Word, Excel, JPEG, etc. Software like Adobe Acrobat, Microsoft Word, or other PDF editors may have options to export or save PDFs in different formats. **How do I password-protect a Wiring Diagrams For A 93 Toyota Corolla PDF?** Most PDF editing software allows you to add password protection. In Adobe Acrobat, for instance, you can go to "File" -> "Properties" -> "Security" to set a password to

restrict access or editing capabilities. Are there any free alternatives to Adobe Acrobat for working with PDFs? Yes, there are many free alternatives for working with PDFs, such as: LibreOffice: Offers PDF editing features. PDFsam: Allows splitting, merging, and editing PDFs. Foxit Reader: Provides basic PDF viewing and editing capabilities. How do I compress a PDF file? You can use online tools like Smallpdf, ILovePDF, or desktop software like Adobe Acrobat to compress PDF files without significant quality loss. Compression reduces the file size, making it easier to share and download. Can I fill out forms in a PDF file? Yes, most PDF viewers/editors like Adobe Acrobat, Preview (on Mac), or various online tools allow you to fill out forms in PDF files by selecting text fields and entering information. Are there any restrictions when working with PDFs? Some PDFs might have restrictions set by their creator, such as password protection, editing restrictions, or print restrictions. Breaking these restrictions might require specific software or tools, which may or may not be legal depending on the circumstances and local laws.

Find Wiring Diagrams For A 93 Toyota Corolla :

the great gatsby unit guide

[the going to bed book english edition](#)

the gospel of john written that you may believe

the gold investors manual

[the guide to jewish washington](#)

the history of herodotus volume 1

the hidden amys ordeal english edition

the girl in the red coat english edition

~~*the incorrigible children of ashton place book i*~~

[the hudson bay mystery ethan edwards pinkerton detective mysteries book 2](#)

[the great patterdale terrier](#)

the hucksters by frederic wakeman

the indecisive mind of kelly richardson english edition

the house on orchid street

the girlfriends guide to pregnancy

Wiring Diagrams For A 93 Toyota Corolla :

free solution chapter 1 problem 1 1 modern database - Jun 05 2023

web find step by step solutions and answers to exercise 5 from modern database management 9780134402109 as well as thousands of textbooks so you can move

modern database management 12th edition solutions and - Dec 19 2021

solution manual for modern database management - Aug 07 2023

web a database management system dbms is a piece of software that allows the user to store retrieve define and manage information in a database it serves as an interface

modern database management systems edition 8 answers ch1 - Nov 29 2022

web database short questions with answers of modern database management mgts32 database short questions with answers what is database database is collection of

solved book 13th edition modern database chegg com - May 04 2023

web learn and understand the educator verified answer and explanation for chapter 2 problem 2 1 in hoffer venkataraman s modern database management 13th edition review

modern database management 11th edition - Sep 08 2023

web now with expert verified solutions from modern database management 10th edition you ll learn how to solve your toughest homework problems our resource for modern

modern database management 13th edition etextbook - Oct 29 2022

web these mcq questions and answers are a fun way to test your knowledge we encourage you to test your modern database management knowledge by answering

book solution 10 edition solution manual for modern database - Feb 01 2023

web aug 7 2003 answers to review questions 1 define each of the following key terms a data stored representations of objects and events that have meaning and importance in

free solution chapter 2 problem 2 1 modern database - Mar 02 2023

web assignment qstudocu download re 18 mel save share ne chapter chapter the database environment and development process chapter overview the purpose of this modern

modern database management flashcards studyhippo com - May 24 2022

web database backup and recovery multiple choice questions and answers or database management system mcqs these solved dbms objective questions with answers

database short questions with answers studocu - Sep 27 2022

web aug 24 2023 you might like to know create an auto grading quiz assessment without any coding try onlineexammaker today data security database management systems

modern database management 9780134402109 exercise 5 - Apr 03 2023

web re modern database management 10 e jeffrey a hoffer re modern database management 10 e jeffrey a hoffer 72 appendix d answers to odd numbered

modern database management 12th edition solutions and - Jan 20 2022

web exercise 1 exercise 2 exercise 3 exercise 4 exercise 5 exercise 6 exercise 7 exercise 8 exercise 9 exercise 10 exercise 11 exercise 12 exercise 13 exercise 14 exercise 15

modern database systems sql quiz proprofs quiz - Jun 24 2022

web the database management system is an integral part of many applications of modern computing in the following section on database management system we have

30 database management quiz questions and answers - Jul 26 2022

web jul 8 2022 1 a conceptual schema which provides a complete technology independent picture of the database 2 an internal schema which specifies the complete database

database management system practice questions toppr - Apr 22 2022

web may 28 2023 1 what database management systems are you most familiar with your interviewer wants to assess your technical knowledge and experience with various

database backup and recovery multiple choice questions - Mar 22 2022

web exercise 49 exercise 50 exercise 51 at quizlet we re giving you the tools you need to take on any subject without having to carry around solutions manuals or printing out

modern database management 13th edition solutions and - Oct 09 2023

web exercise 1 exercise 2 exercise 3 exercise 4 exercise 5 exercise 6 exercise 7 exercise 8 exercise 9 exercise 10 exercise 11 exercise 12 exercise 13 exercise 14 exercise 15

modern database management mcqs and answers free - Aug 27 2022

web mar 22 2023 the question asks for the exact numeric datatypes in sql the correct answer is smallmoney tinyint and bigint smallmoney is a datatype that stores

chapter 1 solution modern database management studocu - Dec 31 2022

web mar 10 2021 modern database management is your comprehensive guide to the latest in database development the text features topics critical for the practical success of

[modern database management 10th edition solutions and](#) - Jul 06 2023

web computer science questions and answers book 13th edition modern database management pearson jeffrey a hoffer
university of dayton v ramesh indiana

modern database management 12th edition solutions and - Nov 17 2021

30 database manager interview questions and answers - Feb 18 2022

web exercise 49 exercise 50 exercise 51 at quizlet we re giving you the tools you need to take on any subject without having to carry around solutions manuals or printing out

chapter 11 excel grader project pdf helpdesk bricksave - Jun 17 2022

web chapter 11 excel grader project downloaded from helpdesk bricksave com by guest simpson collins twelve best practices for early childhood education elsevier this unique text uses microsoft excel workbooks to instruct students in addition to explaining fundamental concepts in microeconomic theory readers acquire a great deal of

chapter 11 excel grader project 2023 ocular - May 17 2022

web chapter 11 excel grader project chapter 11 excel grader project 2 downloaded from ocular link on 2019 07 01 by guest support accessibility and equity in education featuring a wide range of topics such as online courses inclusive education and virtual reality this publication is essential for academicians

[chapter 11 excel grader project startdoinggood org](#) - Jul 19 2022

web it is your totally own grow old to ham it up reviewing habit along with guides you could enjoy now is chapter 11 excel grader project below microsoft office word 2003 complete stephen haag 2004 the i series leads the student through clear error free and unambiguous steps to accomplish tasks that produce a finished document work sheet or

chapter 11 excel grader project download only - Mar 27 2023

web students work live in microsoft excel via grader projects that provide real world context and build toward mastery of key office skills problem solve and perform case graders test chapter level mastery of office skills throughout while business unit capstone graders for problem solve 1 2 help synthesize objectives from 2 previous chapters

chapter 11 excel grader project pdf spc - Jan 25 2023

web intermediate microeconomics with microsoft excel chapter 11 excel grader project downloaded from spc net by guest robertson mayo atlanta magazine corwin press in this book dr soofastaei and his colleagues reveal how all mining managers can effectively deploy advanced analytics in their day to day operations one business

chapter 11 excel grader project controlplane themintgaming - Feb 11 2022

web 2 chapter 11 excel grader project 2023 06 02 carefully chosen examples to deepen understanding of the basic ideas and

how they are applied in engineering the examples and case studies are taken from real world engineering problems and use real data a number of practice problems are provided for

chapter 11 excel grader project pdf helpdesk bricksave - Dec 24 2022

web chapter 11 grader project excel gradebook project project 11 step 1 open excel program and define and locate the following sections become familiar with the toolbars by holding the mouse

chapter 11 excel grader project esource svb - Oct 22 2022

web chapter 11 excel grader project downloaded from esource svb com by guest albert levy microsoft excel 2000 functions in practice teachers college press their eyes were watching god is a 1937 novel by african american writer zora neale hurston

excel chapter 1 grader project youtube - May 29 2023

web jul 15 2020 about press copyright contact us creators advertise developers terms privacy policy safety how youtube works test new features nfl sunday ticket press copyright

chapter 11 excel grader project 2023 tpc redmatters - Nov 22 2022

web chapter 11 excel grader project 1 chapter 11 excel grader project ecosystem and territorial resilience statistics and probability for engineering applications programming language fundamentals by example freelance fashion designer s handbook using microsoft office to enhance student learning excel 2013 the missing manual

chapter 11 excel grader project farm1 mosierdata - Apr 15 2022

web chapter 11 excel grader project is available in our book collection an online access to it is set as public so you can get it instantly our book servers saves in multiple countries allowing you to get the most less

excel chapter 11 cyfair 1401 google sites - Apr 27 2023

web the items below refer to assignments available in myitlab via the excel chapter 11 folder recommended your grade on this item will be recorded as a daily category grade project 11b optional in office 2007 text walk through the tasks described on pages 475 488 walk through means following all instructions and completing all tasks

chapter 11 excel grader project 2023 test mcquaidinvitational - Mar 15 2022

web chapter 11 excel grader project unveiling the energy of verbal beauty an mental sojourn through chapter 11 excel grader project in a world inundated with monitors and the cacophony of fast interaction the profound energy and mental resonance of verbal beauty frequently disappear into obscurity eclipsed by the regular onslaught of sound and

chapter 11 excel grader project pdf - Sep 01 2023

web chapter 11 excel grader project using r for introductory statistics feb 25 2021 the second edition of a bestselling textbook using r for introductory statistics guides students through the basics of r helping them overcome the sometimes steep learning curve the author does this by breaking the material down into small task oriented steps

[chapter 11 excel grader project opendoors cityandguilds](#) - Sep 20 2022

web project download chapter 11 excel grader project chapter 11 excel grader pdf thank you for your answer excel chapter 11 grader project excel gradebook project project 11 step 1 open excel program and define and locate the following sections become familiar with the toolbars by holding the mouse over an icon this will tell you

chapter 11 excel grader project harvard university - Aug 20 2022

web chapter 11 excel grader project recognizing the mannerism ways to acquire this book chapter 11 excel grader project is additionally useful you have remained in right site to start getting this info acquire the chapter 11 excel grader project connect that we come up with the money for here and check out the link

excel grader project chap 5 part 1 youtube - Jun 29 2023

web oct 7 2019 a quick and dirty video walking through excel grader project for chapter 5 covering pivottables

[chapter 11 excel grader project store spiralny](#) - Feb 23 2023

web chapter 11 excel grader project downloaded from store spiralny com by guest daughert y chance grader getting started mesa community college chapter 11 excel grader project chapter 11 workbook distribution workbook customization cgs1570 excel chapter 11 grader project walkthrough

cgs1570 excel chapter 11 grader project walkthrough youtube - Oct 02 2023

web cgs1570 excel chapter 11 grader project walkthrough youtube policy safety how youtube works test new features nfl sunday ticket 2023 google llc

chapter 11 excel grader project ams istanbul edu tr - Jul 31 2023

web chapter 11 grader project walkthrough word 365 chapter 11 educational website grader project walkthrough chapter 11 excel ch6 capstone exercise excel grader 2 bus 311 project 8 statistical functions part i chapter 11 spreadsheet help hints excel 2013 go

soulcraft crossing into the mysteries of nature and psyche - Aug 03 2023

web bill plotkin soulcraft crossing into the mysteries of nature and psyche paperback 29 august 2003 by bill plotkin author 4 6 376 ratings see all formats and editions kindle 17 34 read with our free app

soulcraft crossing into the mysteries of nature and psyche - Jan 28 2023

web aug 29 2003 soulcraft crossing into the mysteries of nature and psyche by bill plotkin thomas berry foreword by 3 0 write a review paperback 19 95 paperback 19 95 ebook 14 49 view all available formats editions ship this item qualifies for free shipping choose expedited shipping at checkout for delivery by wednesday

soulcraft crossing into the mysteries of nature and psyche - Apr 30 2023

web buy soulcraft crossing into the mysteries of nature and psyche by plotkin bill thomas berry isbn 8580001183077 from

amazon s book store everyday low prices and free delivery on eligible orders

soulcraft crossing into the mysteries of nature and psyche - Sep 23 2022

web a modern handbook for the journey soulcraft is not an imitation of indigenous ways but a contemporary nature based approach born from wilderness experience the traditions of western culture and the cross cultural heritage of all humanity

amazon com customer reviews soulcraft crossing into the mysteries - Jun 20 2022

web soulcraft crossing into the mysteries of nature and psyche by how customer reviews and ratings work will szal read more 41 people found this helpful critical reviews one person found this helpful sign in to filter reviews 408 total ratings 114 with reviews from the united states will szal nature based spirituality

soulcraft malaikat dan setan dalam petualangan jurnalponsel - Feb 14 2022

web jul 15 2021 menawarkan petualangan seru seorang malaikat melawan setan dengan menjelajah dengeon pahlawan disini dapat anda perankan anda dapat memilih menjadi malaikat ataupun demons disini anda juga dapat memainkan game ini secara offline sehingga lebih irit baterai dengan fitur fitur yang keren dilengkapi grafis yang memukau

soulcraft crossing into the mysteries of nature and psyche bill - Aug 23 2022

web soulcraft crossing into the mysteries of nature and psyche bill plotkin amazon sg books

books by bill plotkin animas valley institute - Dec 27 2022

web soulcraft crossing into the mysteries of nature and psyche bill plotkin s first book soulcraft crossing into the mysteries of nature and psyche provides a thorough overview of the practices utilized in animas programs and of the mystical descent into the underworld of soul learn more

nature and the human soul table of contents animas valley institute - Apr 18 2022

web soulcraft crossing into the mysteries of nature and psyche nature and the human soul cultivating wholeness and community in a fragmented world wild mind a field guide to the human psyche the journey of soul initiation a field guide for visionaries evolutionaries and revolutionaries

soulcraft crossing into the mysteries of nature and psyche goodreads - Sep 04 2023

web aug 29 2003 soulcraft masterfully explores the deep and mystical connections between the human psyche soul and nature and does it using simple eloquent language to describe richly nuanced ideas about spirituality wholeness initiation and truth

soulcraft crossing into the mysteries of nature and psyche - Mar 30 2023

web new world library oct 5 2010 self help 400 pages since 1980 depth psychologist bill plotkin has been guiding women and men into the wilderness the redrock canyons and snow crested

soulcraft crossing into the mysteries of nature and psyche - Feb 26 2023

web soulcraft crossing into the mysteries of nature and psyche bill plotkin google books since 1980 jungian psychologist bill plotkin has been guiding men and women into the

[soulcraft crossing into the mysteries of nature and psyche](#) - Jul 22 2022

web soulcraft crossing into the mysteries of nature and psyche by plotkin bill 1950 publication date 2003 topics self actualization psychology soul psychological aspects vision quests publisher novato calif new world library collection inlibrary printdisabled internetarchivebooks contributor internet archive language english

save 86 on soulcraft on steam - Mar 18 2022

web jun 1 2015 click here to see them humankind is on the brink to discover the secret of eternal life fearful of their existence angels and demons make a pact to proclaim the apocalypse enabling them to materialize on earth and fight the humans

[soulcraft animas valley institute](#) - Jun 01 2023

web a border crossing into mystery soulcraft is rooted in depth psychology wilderness experience and the poetic tradition it is not an imitation of indigenous ways but a contemporary nature based approach born from the landscapes of the american wilderness the traditions of western culture and the cross cultural heritage of all humanity

our founder animas valley institute - May 20 2022

web bill is the author of soulcraft crossing into the mysteries of nature and psyche an experiential guidebook nature and the human soul cultivating wholeness and community in a fragmented world a nature based stage model of human development through the entire lifespan wild mind a field guide to the human psyche an

soulcraft crossing into the mysteries of nature and psyche - Oct 05 2023

web aug 29 2003 a modern handbook for the journey soulcraft is not an imitation of indigenous ways but a contemporary nature based approach born from wilderness experience the traditions of western culture and the cross cultural heritage of all humanity

soulcraft crossing into the mysteries of nature and psyche - Oct 25 2022

web soulcraft crossing into the mysteries of nature and psyche audible audiobook unabridged bill plotkin phd author rob grgach narrator 1 more 4 6 392 ratings see all formats and editions kindle 9 99 read with our free app audiobook 0 00 free with your audible trial

soulcraft crossing into the mysteries of nature and psyche - Jul 02 2023

web soulcraft crossing into the mysteries of nature and psyche plotkin bill berry thomas amazon sg books

[soulcraft crossing into the mysteries of nature and psyche by](#) - Nov 25 2022

web aug 29 2003 in soulcraft bill plotkin gives us an authentic masterwork in the substance of what he has written in the

clarity of his presentation and in the historical urgency of the subject he has guided us far into the new world that is opening up before us