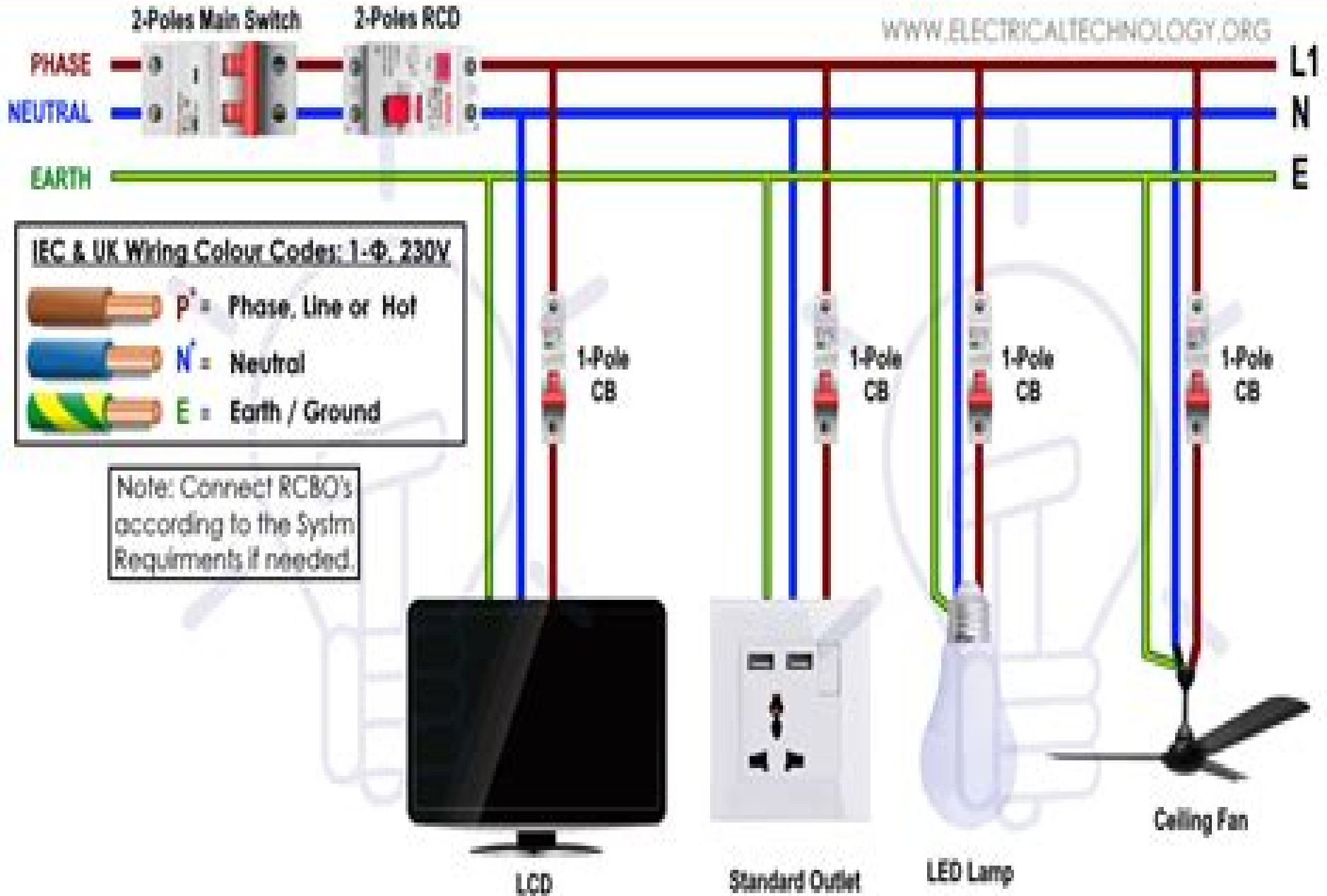


# Wiring Single Phase Loads to the 230V AC Supply: IEC - UK & EU

WWW.ELECTRICALTECHNOLOGY.ORG



# Wiring Diagram For 230v Fujitsu Ac

**M Lipman**



**Wiring Diagram For 230v Fujitsu Ac:**

*Electronics & Wireless World* ,1988

**Electronic Engineering** ,1983

**Journal of Electronic Engineering** ,1980

EDN ,1992

**Electric-wiring Diagrams** R. H. Ladley,1967

When somebody should go to the book stores, search commencement by shop, shelf by shelf, it is essentially problematic. This is why we provide the books compilations in this website. It will categorically ease you to see guide **Wiring Diagram For 230v Fujitsu Ac** as you such as.

By searching the title, publisher, or authors of guide you in fact want, you can discover them rapidly. In the house, workplace, or perhaps in your method can be all best place within net connections. If you intend to download and install the Wiring Diagram For 230v Fujitsu Ac, it is extremely easy then, past currently we extend the connect to purchase and create bargains to download and install Wiring Diagram For 230v Fujitsu Ac correspondingly simple!

[https://about.livewellcolorado.org/files/scholarship/HomePages/unit\\_5\\_homework\\_2\\_gina\\_wilson\\_2012\\_answer\\_key.pdf](https://about.livewellcolorado.org/files/scholarship/HomePages/unit_5_homework_2_gina_wilson_2012_answer_key.pdf)

## **Table of Contents Wiring Diagram For 230v Fujitsu Ac**

1. Understanding the eBook Wiring Diagram For 230v Fujitsu Ac
  - The Rise of Digital Reading Wiring Diagram For 230v Fujitsu Ac
  - Advantages of eBooks Over Traditional Books
2. Identifying Wiring Diagram For 230v Fujitsu Ac
  - Exploring Different Genres
  - Considering Fiction vs. Non-Fiction
  - Determining Your Reading Goals
3. Choosing the Right eBook Platform
  - Popular eBook Platforms
  - Features to Look for in an Wiring Diagram For 230v Fujitsu Ac
  - User-Friendly Interface
4. Exploring eBook Recommendations from Wiring Diagram For 230v Fujitsu Ac
  - Personalized Recommendations
  - Wiring Diagram For 230v Fujitsu Ac User Reviews and Ratings
  - Wiring Diagram For 230v Fujitsu Ac and Bestseller Lists

5. Accessing Wiring Diagram For 230v Fujitsu Ac Free and Paid eBooks
  - Wiring Diagram For 230v Fujitsu Ac Public Domain eBooks
  - Wiring Diagram For 230v Fujitsu Ac eBook Subscription Services
  - Wiring Diagram For 230v Fujitsu Ac Budget-Friendly Options
6. Navigating Wiring Diagram For 230v Fujitsu Ac eBook Formats
  - ePub, PDF, MOBI, and More
  - Wiring Diagram For 230v Fujitsu Ac Compatibility with Devices
  - Wiring Diagram For 230v Fujitsu Ac Enhanced eBook Features
7. Enhancing Your Reading Experience
  - Adjustable Fonts and Text Sizes of Wiring Diagram For 230v Fujitsu Ac
  - Highlighting and Note-Taking Wiring Diagram For 230v Fujitsu Ac
  - Interactive Elements Wiring Diagram For 230v Fujitsu Ac
8. Staying Engaged with Wiring Diagram For 230v Fujitsu Ac
  - Joining Online Reading Communities
  - Participating in Virtual Book Clubs
  - Following Authors and Publishers Wiring Diagram For 230v Fujitsu Ac
9. Balancing eBooks and Physical Books Wiring Diagram For 230v Fujitsu Ac
  - Benefits of a Digital Library
  - Creating a Diverse Reading Collection Wiring Diagram For 230v Fujitsu Ac
10. Overcoming Reading Challenges
  - Dealing with Digital Eye Strain
  - Minimizing Distractions
  - Managing Screen Time
11. Cultivating a Reading Routine Wiring Diagram For 230v Fujitsu Ac
  - Setting Reading Goals Wiring Diagram For 230v Fujitsu Ac
  - Carving Out Dedicated Reading Time
12. Sourcing Reliable Information of Wiring Diagram For 230v Fujitsu Ac
  - Fact-Checking eBook Content of Wiring Diagram For 230v Fujitsu Ac
  - Distinguishing Credible Sources
13. Promoting Lifelong Learning

- Utilizing eBooks for Skill Development
  - Exploring Educational eBooks
14. Embracing eBook Trends
- Integration of Multimedia Elements
  - Interactive and Gamified eBooks

### **Wiring Diagram For 230v Fujitsu Ac Introduction**

Wiring Diagram For 230v Fujitsu Ac Offers over 60,000 free eBooks, including many classics that are in the public domain. Open Library: Provides access to over 1 million free eBooks, including classic literature and contemporary works. Wiring Diagram For 230v Fujitsu Ac Offers a vast collection of books, some of which are available for free as PDF downloads, particularly older books in the public domain. Wiring Diagram For 230v Fujitsu Ac : This website hosts a vast collection of scientific articles, books, and textbooks. While it operates in a legal gray area due to copyright issues, its a popular resource for finding various publications. Internet Archive for Wiring Diagram For 230v Fujitsu Ac : Has an extensive collection of digital content, including books, articles, videos, and more. It has a massive library of free downloadable books. Free-eBooks Wiring Diagram For 230v Fujitsu Ac Offers a diverse range of free eBooks across various genres. Wiring Diagram For 230v Fujitsu Ac Focuses mainly on educational books, textbooks, and business books. It offers free PDF downloads for educational purposes. Wiring Diagram For 230v Fujitsu Ac Provides a large selection of free eBooks in different genres, which are available for download in various formats, including PDF. Finding specific Wiring Diagram For 230v Fujitsu Ac, especially related to Wiring Diagram For 230v Fujitsu Ac, might be challenging as theyre often artistic creations rather than practical blueprints. However, you can explore the following steps to search for or create your own Online Searches: Look for websites, forums, or blogs dedicated to Wiring Diagram For 230v Fujitsu Ac, Sometimes enthusiasts share their designs or concepts in PDF format. Books and Magazines Some Wiring Diagram For 230v Fujitsu Ac books or magazines might include. Look for these in online stores or libraries. Remember that while Wiring Diagram For 230v Fujitsu Ac, sharing copyrighted material without permission is not legal. Always ensure youre either creating your own or obtaining them from legitimate sources that allow sharing and downloading. Library Check if your local library offers eBook lending services. Many libraries have digital catalogs where you can borrow Wiring Diagram For 230v Fujitsu Ac eBooks for free, including popular titles. Online Retailers: Websites like Amazon, Google Books, or Apple Books often sell eBooks. Sometimes, authors or publishers offer promotions or free periods for certain books. Authors Website Occasionally, authors provide excerpts or short stories for free on their websites. While this might not be the Wiring Diagram For 230v Fujitsu Ac full book , it can give you a taste of the authors writing style. Subscription Services Platforms like Kindle Unlimited or Scribd offer subscription-based

access to a wide range of Wiring Diagram For 230v Fujitsu Ac eBooks, including some popular titles.

### FAQs About Wiring Diagram For 230v Fujitsu Ac Books

1. Where can I buy Wiring Diagram For 230v Fujitsu Ac books? Bookstores: Physical bookstores like Barnes & Noble, Waterstones, and independent local stores. Online Retailers: Amazon, Book Depository, and various online bookstores offer a wide range of books in physical and digital formats.
2. What are the different book formats available? Hardcover: Sturdy and durable, usually more expensive. Paperback: Cheaper, lighter, and more portable than hardcovers. E-books: Digital books available for e-readers like Kindle or software like Apple Books, Kindle, and Google Play Books.
3. How do I choose a Wiring Diagram For 230v Fujitsu Ac book to read? Genres: Consider the genre you enjoy (fiction, non-fiction, mystery, sci-fi, etc.). Recommendations: Ask friends, join book clubs, or explore online reviews and recommendations. Author: If you like a particular author, you might enjoy more of their work.
4. How do I take care of Wiring Diagram For 230v Fujitsu Ac books? Storage: Keep them away from direct sunlight and in a dry environment. Handling: Avoid folding pages, use bookmarks, and handle them with clean hands. Cleaning: Gently dust the covers and pages occasionally.
5. Can I borrow books without buying them? Public Libraries: Local libraries offer a wide range of books for borrowing. Book Swaps: Community book exchanges or online platforms where people exchange books.
6. How can I track my reading progress or manage my book collection? Book Tracking Apps: Goodreads, LibraryThing, and Book Catalogue are popular apps for tracking your reading progress and managing book collections. Spreadsheets: You can create your own spreadsheet to track books read, ratings, and other details.
7. What are Wiring Diagram For 230v Fujitsu Ac audiobooks, and where can I find them? Audiobooks: Audio recordings of books, perfect for listening while commuting or multitasking. Platforms: Audible, LibriVox, and Google Play Books offer a wide selection of audiobooks.
8. How do I support authors or the book industry? Buy Books: Purchase books from authors or independent bookstores. Reviews: Leave reviews on platforms like Goodreads or Amazon. Promotion: Share your favorite books on social media or recommend them to friends.
9. Are there book clubs or reading communities I can join? Local Clubs: Check for local book clubs in libraries or community centers. Online Communities: Platforms like Goodreads have virtual book clubs and discussion groups.

10. Can I read Wiring Diagram For 230v Fujitsu Ac books for free? Public Domain Books: Many classic books are available for free as they're in the public domain. Free E-books: Some websites offer free e-books legally, like Project Gutenberg or Open Library.

**Find Wiring Diagram For 230v Fujitsu Ac :**

**unit 5 homework 2 gina wilson 2012 answer key**

*uniden tcx950 user guide*

~~unisa brochure for 2015~~

*unisa prospector paramedic june 2015*

unisa mining engineering diploma modules

unit 1 nature of science packet

**unit 12 lesson 01 yes we can**

**uniden wdect 2355 2 manual**

**unit 9 progress test solutions upper intermediate**

union carpenter study guide

*unimat user man*

unit 8 ws mole relationships answers

unisa cos1521 past exam papers with a

~~uniden sc200 user guide~~

**unit 22 mentoring minds answer key**

**Wiring Diagram For 230v Fujitsu Ac :**

the gene an intimate history siddhartha mukherjee google - Dec 27 2022

web may 17 2016 the 1 new york times bestseller the basis for the pbs ken burns documentary the gene an intimate history from the pulitzer prize winning author of the emperor of all maladies a fascinating history of the gene and a magisterial account of how human minds have laboriously ingeniously picked apart what makes us tick elle

**the gene science s most powerful and dangerous idea** - Aug 03 2023

web jul 24 2016 the gene is one of the most powerful and dangerous ideas in the history of science argues siddhartha mukherjee in the gene an intimate history since its discovery by gregor mendel an



**the gene an intimate history wikipedia** - Sep 04 2023

web the gene an intimate history is a book written by siddhartha mukherjee an indian born american physician and oncologist it was published on 17 may 2016 by scribner 1 the book chronicles the history of the gene and genetic research all the way from aristotle to crick watson and franklin and then the 21st century scientists

**watch the gene ken burns pbs** - Mar 30 2023

web the gene an intimate history is a major new four hour documentary from ken burns and barak goodman adapted from the award winning book of the same name by dr siddhartha mukherjee

[the gene pbs](#) - Apr 30 2023

web the gene an intimate history brings vividly to life the story of today s revolution in medical science through present day tales of patients and doctors at the forefront of the search for

**the gene an intimate history amazon com** - Jun 01 2023

web apr 18 2017 riveting revelatory and magisterial history of a scientific idea coming to life and an essential preparation for the moral complexity introduced by our ability to create or write the human genome the gene is a must read for everyone concerned about the definition and future of humanity

[the gene book by siddhartha mukherjee simon schuster](#) - Jul 02 2023

web the basis for the pbs ken burns documentary the gene an intimate history from the pulitzer prize winning author of the emperor of all maladies a fascinating history of the gene and a magisterial account of how human minds have laboriously ingeniously picked apart what makes us tick elle

*the gene by siddhartha mukherjee the new york times* - Feb 26 2023

web may 12 2016 the gene is and is not the determiner of our identity it behooves us to accept this paradox and understand it as we learn how our genome defines us we also learn how we transcend our genome

[the gene an intimate history amazon com](#) - Jan 28 2023

web may 17 2016 the 1 new york times bestseller the basis for the pbs ken burns documentary the gene an intimate history from the pulitzer prize winning author of the emperor of all maladies a fascinating history of the gene and a magisterial account of how human minds have laboriously ingeniously picked apart what makes us tick elle

**the gene an intimate history by siddhartha mukherjee goodreads** - Oct 05 2023

web jun 2 2016 covering everything from how aristotle and darwin understood genetics to the modern phenomenon of mapping the genome the gene prepares readers to understand the ethical questions surrounding genetics today fascinating accessible and timely the gene an intimate history by siddhartha mukherjee scribner 2016

**vba excel premiers pas en vba analysez des donna download** - Jul 04 2022

web 2 vba excel premiers pas en vba analysez des donna 2022 01 14 applications provides tips tricks and techniques for expanding excel s capabilities with vba that you won t find anywhere else this power user s guide is packed with procedures tips and ideas for expanding excel s capabilities with

[vba excel premiers pas en vba analysez des donna](#) - Jan 10 2023

web see inside for details excel vba a step by step simplified guide to excel vba programming techniques data reporting business analysis and tips and tr apr 15 2023 this book includes excel vba a step by step comprehensive guide on advanced excel vba programming techniques and strategies excel vba a step by step

*vba excel premiers pas en vba analysez des donna pdf* - Mar 12 2023

web excel 2007 and vba as well as earlier versions of both this expanded and fully updated guide reviews all the necessary financial theory and concepts and walks you through a wide range of real world

*premiers pas en vba analysez des données avec excel* - Oct 19 2023

web aug 4 2014 cette fameuse série elle est écrite quelque part dans un code informatique le vba qui signifie visual basic pour application le vba a donc besoin d une application en l occurrence ici excel pour fonctionner

*vba excel premiers pas en vba analysez des donna book* - Feb 11 2023

web vba excel premiers pas en vba analysez des donna premiers pas en écriture 5 6 ans aug 17 2020 dessiner des lignes des dessins à terminer par des lignes droites ou courbes en préparation à l apprentissage de l écriture tracer des boucles des spirales des lettres et des chiffres des exercices ludiques pour affiner la dextérité

**vba excel tests médiaforma** - Dec 09 2022

web jan 1 2021 cet article va vous montrer comment effectuer des tests en vba excel la première boîte de dialogue est facile à comprendre en effet la date 12 08 2110 est postérieure à 10 05 2020 formez vous au langage vba pour excel plus de 5h de vidéo

**vba excel premiers pas en vba analysez des donna 2023** - Aug 17 2023

web vos premiers pas avec excel 2002 mar 12 2022 si une de vos occupations principales est de manipuler des chiffres vous ne pouvez bien sûr pas vous passer d un tableur excel est parmi les tout premiers logiciels de sa catégorie et

**vba excel premiers pas en vba analysez des donna donna** - Nov 08 2022

web vba excel premiers pas en vba analysez des donna vba excel premiers pas en vba analysez des donna 2 downloaded from donate pfi org on 2020 03 17 by guest test your understanding if you re ready to dive into c and net programming this book is a great way to quickly get up to speed game architecture and design andrew rollings 2004

[vba excel premiers pas en vba analysez des donna](#) - Aug 05 2022

web un guide pour construire pas à pas une bibliothèque de fonctions financières évolutives portables et fiables à l aide d

exemples détaillés présentation du langage vba versions 97 à 2007 d excel

**vba excel premiers pas en vba analysez des donna 2023** - Oct 07 2022

web vba excel premiers pas en vba analysez des donna les livres disponibles un an de nouveautés excel 2010 fonctions et formules le guide complet vba excel 2003 mathématiques financières avec vba excel livres de france vba excel 2002

programmer sous excel macros et langage vba automated data analysis using

vba excel premiers pas en vba analysez des donna - Apr 01 2022

web colton emilio vba excel 2003 editions eni prenez le contrôle de vos données et de vos classeurs optimisez votre environnement de travail en maîtrisant toutes les astuces de navigation de saisie et d édition visualisez vos données en agrémentant vos classeurs de mises en formes conditionnelles de graphiques et d illustrations

*premiers pas en vba analysez des données avec excel scribd* - Sep 18 2023

web openclassrooms com courses analysez des donnees avec excel premiers pas en vba 3 8 29 01 2018 premiers pas en vba analysez des données avec excel openclassrooms renommez le module comme à vos envies puis fermez cette petite sous fenêtre au moyen de la petite croix

**vba excel premiers pas en vba analysez des donna** - Jun 03 2022

web vba excel 2003 microsoft excel et vba vba excel premiers pas en vba analysez des donna omb no edited by cindy malaki excel 2010 et vba ma editions destiné aussi bien aux débutants qu aux utilisateurs initiés cet ouvrage passe en revue l ensemble du langage vous apprendrez grâce à des exemples pratiques immédiatement utilisables

**vba excel premiers pas en vba analysez des donna** - Sep 06 2022

web vba excel premiers pas en vba analysez des donna downloaded from zapmap nissan co uk by guest nicholson ryan programmation openoffice org 2 pearson education france les fonctionnalités d access avec

**Écriture d une procédure fonction vba microsoft learn** - Apr 13 2023

web apr 6 2023 dans cet article une procédure fonction est une série d instructions visual basic entre les instructions fonction et end fonction une procédure fonction est similaire à une procédure sub mais une fonction peut également retourner une valeur une procédure fonction peut accepter des arguments tels que des constantes des

*analyse d une macro vba 04 formation excel vba* - Jul 16 2023

web aug 2 2019 vous pouvez obtenir le fichier d exemple de cet article et découvrir la méthode d apprentissage d excel pas à pas en cliquant sur le lien suivant 1 le code est inséré dans un module pour commencer revenons sur le code de la macro que nous avons créée automatiquement dans le chapitre précédent pour rappel pour lancer

**premiers pas avec vba indexmatch** - May 14 2023

web malheureusement vous n avez jamais utilisé de macro vba et vous ne savez pas par où commencer nous vous proposons

quelques étapes et bonnes pratiques pour vous permettre de faire vos premiers pas et débiter en [vba excel premiers pas en vba analysez des donna pdf](#) - May 02 2022

web visual basic net vb net livres de france vba excel premiers pas en vba analysez des donna downloaded from staging2 thesmalls com by guest isabel malik catalogue général o reilly media inc ce livre s organise autour d un ensemble de fiches destinées à mettre en pratique les connaissances de géométrie 2d au sein d excel 2013 et en

**pdf vba excel premiers pas en vba analysez des donna** - Jun 15 2023

web vba excel premiers pas en vba analysez des donna premiers pas avec excel 5 0 apr 24 2023 genie civil apr 19 2020 vos premiers pas avec excel 2000 nov 19 2022 vos premiers pas avec excel 2002 mar 11 2022 si une de vos occupations principales est de manipuler des chiffres vous ne pouvez bien sûr pas vous passer d un

**vba excel premiers pas en vba analysez des donna** - Feb 28 2022

web modèle d objets d excel la gestion des événements les contrôles activex les contrôles des boîtes de dialogue les principales fonctions et instructions vba

**ti nspire for dummies 2nd edition wiley** - Aug 14 2023

web with updated screenshots and examples ti nspire for dummies provides practical hands on instruction to help students make the most of this revolutionary graphing

**ti nspire for dummies by jeff mccalla open library** - Feb 08 2023

web shows how to get maximum value from this versatile math tool with updated screenshots and examples ti nspire for dummies provides practical hands on instruction to help

[ti nspire for dummies guide books acm digital library](#) - Aug 02 2022

web with updated screenshots and examples ti nspire for dummies provides practical hands on instruction to help students make the most of this revolutionary graphing

**ti nspire tutorial 1 fundamentals youtube** - Feb 25 2022

web mar 26 2016 ti nspire for dummies explore book buy on amazon a ti nspire file that holds problems and pages is a document you can manage your ti nspire documents

**ti nspire for dummies 2nd edition paperback** - Apr 10 2023

web jan 27 2009 ti nspire for dummies steve ouellette john wiley sons jan 27 2009 computers 360 pages that ti nspire handheld is unlike any math tool you ve ever

**ti nspire for dummies 2nd edition amazon com** - May 11 2023

web may 20 2011 ti nspire for dummies 2nd edition paperback illustrated 20 may 2011 the ti nspire graphing calculator is popular among high school and college students as

**products and accessories for your ti nspire dummies** - Dec 26 2021

[ti nspire for dummies jeff mccalla steve ouellette google](#) - Dec 06 2022

web classes as well as students taking the sat psat and act exams this fully updated guide covers all enhancements to the ti nspire including the touchpad and the updated

[wiley ti nspire for dummies 2nd edition 978 1 118 00466 1](#) - Nov 05 2022

web amazon in buy ti nspire for dummies for dummies series book online at best prices in india on amazon in read ti nspire for dummies for dummies series book

**shortcuts for managing documents on your ti nspire dummies** - Jan 27 2022

web mar 26 2016 ti nspire for dummies explore book buy on amazon a few ti nspire products are worth mentioning here the functionality of ti nspire computer software

[ti nspire for dummies](#) - Jun 12 2023

web jun 7 2011 published june 7 2011 buy on amazon overview the updated guide to the newest graphing calculator from texas instruments the ti nspire graphing calculator is

[ti nspire for dummies steve ouellette google books](#) - Mar 09 2023

web oct 17 2020 learn to use all features of the new touchpad view graphical algebraic numeric geometric and written formats see and make connections among multiple

[ti nspire for dummies for dummies computer tech](#) - Mar 29 2022

web hi this video or tutorial will talk about the basic fundamental actions on the ti nspire i ll be uploading more videos in the future subscribe feel free t

[ti nspire for dummies livebrary com overdrive](#) - Jan 07 2023

web may 9 2011 its use is allowed on the major college entrance exams this book is a nuts and bolts guide to working with the ti nspire providing everything you need to get up

**ti nspire for dummies cheat sheet** - Jul 13 2023

web feb 17 2022 the ti nspire device is the most sophisticated handheld graphing calculator available allowing users to display and evaluate values symbolically and to reuse the

[ti nspire for dummies 2nd ed by jeff mccalla ebook](#) - Jul 01 2022

web may 9 2011 shows how to get maximum value from this versatile math tool with updated screenshots and examples ti nspire for dummies provides practical hands on

[ti nspire for dummies by jeff mccalla overdrive](#) - May 31 2022

web with updated screenshots and examples ti nspire for dummies provides practical hands on instruction to help students make the most of this revolutionary graphing

**buy ti nspire for dummies for dummies series book online** - Oct 04 2022

web aug 10 2014 paperback the third edition of this book has been updated for the 2016 17 school year at a breakneck pace students teachers and schools around the world

*the ti nspire for beginners ti nspire tm tutorials getting* - Sep 03 2022

web search acm digital library search search advanced search

ti nspire for dummies 2nd edition programmer books - Apr 29 2022

web ti nspire versus ti nspire cas the ti nspire product line includes ti nspire and ti nspire cas both in the handheld and as a computer application the ti nspire