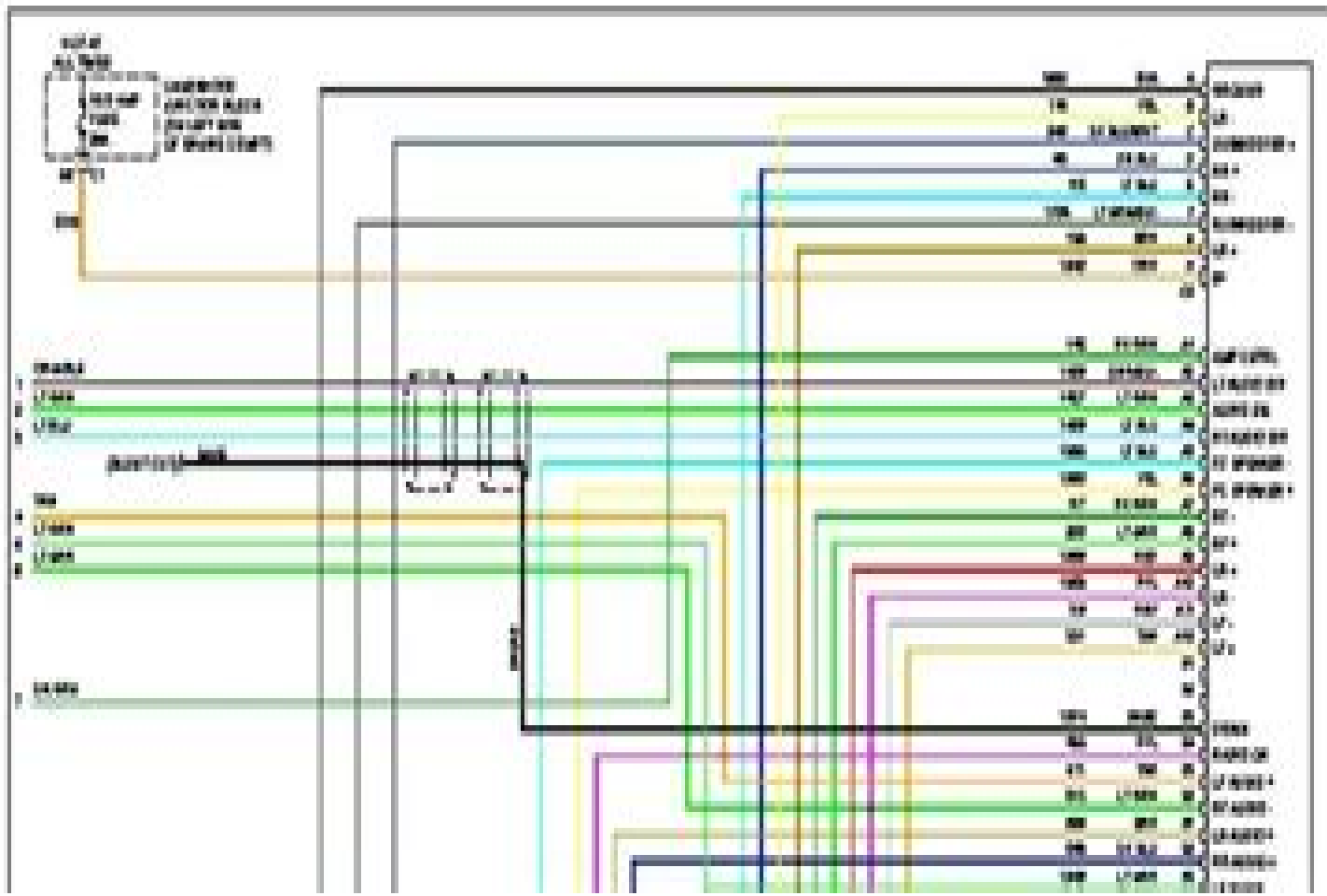


2001 Chevrolet Tahoe

SYSTEM WIRING DIAGRAMS

Fig. 77: Radio Circuits, Luxury (2 of 2)



Wiring Diagram For Pontiac Gr Prix 2003

GM Corporation



Wiring Diagram For Pontiac Gr Prix 2003:

The Autocar ,1951-07 *Grand Prix Service Manual WP 2003* General Motors Corporation. North American Operations,2002 Pontiac General Motors of Canada Ltd,1981 **1981 Pontiac Service Manual (Grand Prix, LeMans and Firebird) - Includes 11x26 Inch Wiring Diagrams** GM Corporation,2022-04-10 This 1981 Pontiac Service Manual Grand Prix LeMans and Firebird Includes 11x26 inch Wiring Diagrams is a high quality licensed PRINT reproduction of the service manual authored by General Motors Corporation and published by Detroit Iron This OEM factory manual is 8 5 x 11 inches paperback bound shrink wrapped and contains 1528 pages of comprehensive mechanical instructions with detailed diagrams photos and specifications for the mechanical components of your vehicle such as the engine transmission suspension brakes fuel exhaust steering electrical and drive line Service repair manuals were originally written by the automotive manufacturer to be used by their dealership mechanics The following 1981 Pontiac models are covered Bonneville Catalina Firebird Grand LeMans Grand Prix LeMans This factory written Detroit Iron shop manual is perfect for the restorer or anyone working on one of these vehicles Mitchell Wiring Diagram Manual 2003 Import Vehicles Mitchell1 (Firm),2003 **Wiring Diagrams** Mitchell Repair Information Company,2003 Wiring Diagram Manual: Import Vehicles Mitchell Manuals, inc,2002 Imported Wiring Diagram 2002-2003 ,2004 **Wiring Diagrams** Mitchell Repair Information Company,2003

Decoding **Wiring Diagram For Pontiac Gr Prix 2003**: Revealing the Captivating Potential of Verbal Expression

In an era characterized by interconnectedness and an insatiable thirst for knowledge, the captivating potential of verbal expression has emerged as a formidable force. Its ability to evoke sentiments, stimulate introspection, and incite profound transformations is genuinely awe-inspiring. Within the pages of "**Wiring Diagram For Pontiac Gr Prix 2003**," a mesmerizing literary creation penned with a celebrated wordsmith, readers embark on an enlightening odyssey, unraveling the intricate significance of language and its enduring affect our lives. In this appraisal, we shall explore the book is central themes, evaluate its distinctive writing style, and gauge its pervasive influence on the hearts and minds of its readership.

https://about.livewellcolorado.org/data/browse/default.aspx/student_divergent_novel_study_guide.pdf

Table of Contents Wiring Diagram For Pontiac Gr Prix 2003

1. Understanding the eBook Wiring Diagram For Pontiac Gr Prix 2003
 - The Rise of Digital Reading Wiring Diagram For Pontiac Gr Prix 2003
 - Advantages of eBooks Over Traditional Books
2. Identifying Wiring Diagram For Pontiac Gr Prix 2003
 - Exploring Different Genres
 - Considering Fiction vs. Non-Fiction
 - Determining Your Reading Goals
3. Choosing the Right eBook Platform
 - Popular eBook Platforms
 - Features to Look for in an Wiring Diagram For Pontiac Gr Prix 2003
 - User-Friendly Interface
4. Exploring eBook Recommendations from Wiring Diagram For Pontiac Gr Prix 2003
 - Personalized Recommendations
 - Wiring Diagram For Pontiac Gr Prix 2003 User Reviews and Ratings
 - Wiring Diagram For Pontiac Gr Prix 2003 and Bestseller Lists

5. Accessing Wiring Diagram For Pontiac Gr Prix 2003 Free and Paid eBooks
 - Wiring Diagram For Pontiac Gr Prix 2003 Public Domain eBooks
 - Wiring Diagram For Pontiac Gr Prix 2003 eBook Subscription Services
 - Wiring Diagram For Pontiac Gr Prix 2003 Budget-Friendly Options
6. Navigating Wiring Diagram For Pontiac Gr Prix 2003 eBook Formats
 - ePub, PDF, MOBI, and More
 - Wiring Diagram For Pontiac Gr Prix 2003 Compatibility with Devices
 - Wiring Diagram For Pontiac Gr Prix 2003 Enhanced eBook Features
7. Enhancing Your Reading Experience
 - Adjustable Fonts and Text Sizes of Wiring Diagram For Pontiac Gr Prix 2003
 - Highlighting and Note-Taking Wiring Diagram For Pontiac Gr Prix 2003
 - Interactive Elements Wiring Diagram For Pontiac Gr Prix 2003
8. Staying Engaged with Wiring Diagram For Pontiac Gr Prix 2003
 - Joining Online Reading Communities
 - Participating in Virtual Book Clubs
 - Following Authors and Publishers Wiring Diagram For Pontiac Gr Prix 2003
9. Balancing eBooks and Physical Books Wiring Diagram For Pontiac Gr Prix 2003
 - Benefits of a Digital Library
 - Creating a Diverse Reading Collection Wiring Diagram For Pontiac Gr Prix 2003
10. Overcoming Reading Challenges
 - Dealing with Digital Eye Strain
 - Minimizing Distractions
 - Managing Screen Time
11. Cultivating a Reading Routine Wiring Diagram For Pontiac Gr Prix 2003
 - Setting Reading Goals Wiring Diagram For Pontiac Gr Prix 2003
 - Carving Out Dedicated Reading Time
12. Sourcing Reliable Information of Wiring Diagram For Pontiac Gr Prix 2003
 - Fact-Checking eBook Content of Wiring Diagram For Pontiac Gr Prix 2003
 - Distinguishing Credible Sources
13. Promoting Lifelong Learning

- Utilizing eBooks for Skill Development
 - Exploring Educational eBooks
14. Embracing eBook Trends
- Integration of Multimedia Elements
 - Interactive and Gamified eBooks

Wiring Diagram For Pontiac Gr Prix 2003 Introduction

In today's digital age, the availability of Wiring Diagram For Pontiac Gr Prix 2003 books and manuals for download has revolutionized the way we access information. Gone are the days of physically flipping through pages and carrying heavy textbooks or manuals. With just a few clicks, we can now access a wealth of knowledge from the comfort of our own homes or on the go. This article will explore the advantages of Wiring Diagram For Pontiac Gr Prix 2003 books and manuals for download, along with some popular platforms that offer these resources. One of the significant advantages of Wiring Diagram For Pontiac Gr Prix 2003 books and manuals for download is the cost-saving aspect. Traditional books and manuals can be costly, especially if you need to purchase several of them for educational or professional purposes. By accessing Wiring Diagram For Pontiac Gr Prix 2003 versions, you eliminate the need to spend money on physical copies. This not only saves you money but also reduces the environmental impact associated with book production and transportation. Furthermore, Wiring Diagram For Pontiac Gr Prix 2003 books and manuals for download are incredibly convenient. With just a computer or smartphone and an internet connection, you can access a vast library of resources on any subject imaginable. Whether you're a student looking for textbooks, a professional seeking industry-specific manuals, or someone interested in self-improvement, these digital resources provide an efficient and accessible means of acquiring knowledge. Moreover, PDF books and manuals offer a range of benefits compared to other digital formats. PDF files are designed to retain their formatting regardless of the device used to open them. This ensures that the content appears exactly as intended by the author, with no loss of formatting or missing graphics. Additionally, PDF files can be easily annotated, bookmarked, and searched for specific terms, making them highly practical for studying or referencing. When it comes to accessing Wiring Diagram For Pontiac Gr Prix 2003 books and manuals, several platforms offer an extensive collection of resources. One such platform is Project Gutenberg, a nonprofit organization that provides over 60,000 free eBooks. These books are primarily in the public domain, meaning they can be freely distributed and downloaded. Project Gutenberg offers a wide range of classic literature, making it an excellent resource for literature enthusiasts. Another popular platform for Wiring Diagram For Pontiac Gr Prix 2003 books and manuals is Open Library. Open Library is an initiative of the Internet Archive, a non-profit organization dedicated to digitizing cultural artifacts and making them accessible to the public. Open Library hosts millions

of books, including both public domain works and contemporary titles. It also allows users to borrow digital copies of certain books for a limited period, similar to a library lending system. Additionally, many universities and educational institutions have their own digital libraries that provide free access to PDF books and manuals. These libraries often offer academic texts, research papers, and technical manuals, making them invaluable resources for students and researchers. Some notable examples include MIT OpenCourseWare, which offers free access to course materials from the Massachusetts Institute of Technology, and the Digital Public Library of America, which provides a vast collection of digitized books and historical documents. In conclusion, Wiring Diagram For Pontiac Gr Prix 2003 books and manuals for download have transformed the way we access information. They provide a cost-effective and convenient means of acquiring knowledge, offering the ability to access a vast library of resources at our fingertips. With platforms like Project Gutenberg, Open Library, and various digital libraries offered by educational institutions, we have access to an ever-expanding collection of books and manuals. Whether for educational, professional, or personal purposes, these digital resources serve as valuable tools for continuous learning and self-improvement. So why not take advantage of the vast world of Wiring Diagram For Pontiac Gr Prix 2003 books and manuals for download and embark on your journey of knowledge?

FAQs About Wiring Diagram For Pontiac Gr Prix 2003 Books

What is a Wiring Diagram For Pontiac Gr Prix 2003 PDF? A PDF (Portable Document Format) is a file format developed by Adobe that preserves the layout and formatting of a document, regardless of the software, hardware, or operating system used to view or print it. **How do I create a Wiring Diagram For Pontiac Gr Prix 2003 PDF?** There are several ways to create a PDF: Use software like Adobe Acrobat, Microsoft Word, or Google Docs, which often have built-in PDF creation tools. Print to PDF: Many applications and operating systems have a "Print to PDF" option that allows you to save a document as a PDF file instead of printing it on paper. Online converters: There are various online tools that can convert different file types to PDF. **How do I edit a Wiring Diagram For Pontiac Gr Prix 2003 PDF?** Editing a PDF can be done with software like Adobe Acrobat, which allows direct editing of text, images, and other elements within the PDF. Some free tools, like PDFescape or Smallpdf, also offer basic editing capabilities. **How do I convert a Wiring Diagram For Pontiac Gr Prix 2003 PDF to another file format?** There are multiple ways to convert a PDF to another format: Use online converters like Smallpdf, Zamzar, or Adobe Acrobats export feature to convert PDFs to formats like Word, Excel, JPEG, etc. Software like Adobe Acrobat, Microsoft Word, or other PDF editors may have options to export or save PDFs in different formats. **How do I password-protect a Wiring Diagram For Pontiac Gr Prix 2003 PDF?** Most PDF editing software allows you to add password protection. In Adobe Acrobat, for instance, you can go to "File" -> "Properties" -> "Security" to set a password to

restrict access or editing capabilities. Are there any free alternatives to Adobe Acrobat for working with PDFs? Yes, there are many free alternatives for working with PDFs, such as: LibreOffice: Offers PDF editing features. PDFsam: Allows splitting, merging, and editing PDFs. Foxit Reader: Provides basic PDF viewing and editing capabilities. How do I compress a PDF file? You can use online tools like Smallpdf, ILovePDF, or desktop software like Adobe Acrobat to compress PDF files without significant quality loss. Compression reduces the file size, making it easier to share and download. Can I fill out forms in a PDF file? Yes, most PDF viewers/editors like Adobe Acrobat, Preview (on Mac), or various online tools allow you to fill out forms in PDF files by selecting text fields and entering information. Are there any restrictions when working with PDFs? Some PDFs might have restrictions set by their creator, such as password protection, editing restrictions, or print restrictions. Breaking these restrictions might require specific software or tools, which may or may not be legal depending on the circumstances and local laws.

Find Wiring Diagram For Pontiac Gr Prix 2003 :

~~student divergent novel study guide~~

~~strategic management instructor manual~~

~~student exploration air track answer key~~

~~student activity understanding shakespeare sonnet 18 key~~

~~strateacutegies concurrentielles le renouveau theacuteurique en pratique~~

~~sttella luna and inferences~~

~~structure of a flower page 48 answer key~~

streaming radio guide glenn beck

~~strawberry soup recipe~~

stretched sphincter manual guide

storytown 3rd grade lesson 15 study guide

~~straightforward intermediate 2nd edition~~

~~strategy guide for hitman 2 pe~~

~~strong enough family series book english edition~~

strategic marketing problems cases and comments

Wiring Diagram For Pontiac Gr Prix 2003 :

mcqs on dental anatomy histology and embryology - Mar 02 2022

web jan 7 2020 mcqs on dental anatomy histology and embryology pdf embryology created by maik moeller studio is offered in word pdf ppt txt zip kindle and also rar get it now this ebook mcqs on dental anatomy histology and embryology by maik moeller studio freely here

chapter 31 multiple choice questions oxford university press - Apr 15 2023

web instructions answer the following questions and then press submit to get your score question 1 which of the following structures should be visible on a dental panoramic radiograph a the mandibular canal b the mandibular canal and maxillary sinus c the mandibular canal maxillary sinus and hard palate

dental mcq questions and answers for bds mds students - Dec 31 2021

web apr 25 2021 the aspirants who are going to attend the written exam can start downloading the model question papers of dental anatomy mcq pdf the direct links enclosed below to get the pdfs of dental mcq previous papers along with the solutions

dental anatomy quiz 1 unit 1 review questions flashcards - Oct 09 2022

web 4 is found at a constantly changing level on the crown 5 always separates the clinical crown and root 2 always separates the anatomical crown and root oblique ridges are dental structures which are normally found on the crowns of maxillary molars only on the crowns of teeth contact areas are located on 1

mcqs in dental anatomy pdf pdf scribd - Apr 03 2022

web mcqs in dental anatomy pdf 1 free download as pdf file pdf or read online for free dental anatomy dental anatomy save save mcqs in dental anatomy pdf 1 for later 0 ratings 0 found this document useful 0 votes 32 views 101 pages mcqs in dental anatomy pdf original title

dental anatomy quizzes questions answers proprofs - Feb 01 2022

web may 3 2023 trivia quiz premolar anatomy and functions trivia quiz questions 18 attempts 1666 last updated mar 21 2023 sample question checkmark all of the general features that associate with premolars 3 roots 2 roots 1 root shorter crown than anteriors vertical buccal ridge root concavities tooth anatomy basics trivia quiz

useful questions quizzes for dental students dentalnotebook - Jun 17 2023

web mcqs saqs and other questions for dental students including anatomy physiology histology biochemistry microbiology ortho perio paed endo and more

multiple choice questions oxford university press - Aug 19 2023

web atkinson anatomy for dental students multiple choice questions please be aware that not all chapters have

accompanying questions and the number of questions varies between chapters

chapter 26 multiple choice questions oxford university press - Jan 12 2023

web dentistry atkinson anatomy for dental students student resources multiple choice questions chapter 26 multiple choice questions

practice free neet mds clinical questions dental anatomy - Aug 27 2021

web q 1 a patient is unable to move his neck to the left also rotating and bending the neck on the same side when the head is tilted to the left the chin moves to right which of the following muscle is responsible a scm b trapezius c platysma d scalene

click here for answer and detailed explanation q 2

dental anatomy quizzes and tooth diagrams kenhub - Feb 13 2023

web jul 5 2023 want to ace your dental anatomy exam questions easily learn the parts of the tooth with kenhub using our tooth diagrams and dental anatomy quizzes

mcqs pdf pdf dental anatomy tooth scribd - Nov 29 2021

web 1 the premolar which is most often double rooted is the a maxillary first b maxillary second c mandibular first d mandibular second the correct answer is a maxillary first premolars are almost always double rooted when single rooted they always have two separate root canals

anatomy for dental students paperback oxford university press - May 04 2022

web martin e atkinson isbn 9780199234462 384 pages 276x219mm price 73 00 illustrated with over 300 full colour diagrams and written with an emphasis on the practical application of anatomical knowledge anatomy for dental students fourth edition covers every aspect of anatomy that dental students need to know purchase options

chapter 27 multiple choice questions oxford university press - Mar 14 2023

web dentistry atkinson anatomy for dental students student resources multiple choice questions chapter 27 multiple choice questions

chapter 25 multiple choice questions oxford university press - Dec 11 2022

web dentistry atkinson anatomy for dental students student resources multiple choice questions chapter 25 multiple choice questions

mcqs for netter s head and neck anatomy for dentistry e book - Sep 08 2022

web nov 12 2015 mcqs for netter s head and neck anatomy for dentistry e book author elsevier ltd edition revised publisher elsevier health sciences 2015 isbn 0702069779 9780702069772 length 200 pages subjects

oral anatomy mcqs with answer for competitive exam academic - Jun 05 2022

web sep 8 2020 in this section we focus on all areas of mcqs on oral anatomy subject and cover all important topics of

anatomy of the mouth and teeth like basic oral anatomy calcification and eruption of teeth deciduous dentition occlusion permanent dentition physiologic form of tooth and periodontium physiologic form of tooth and *dental mcqs multiple choice questions in dentistry* - Sep 27 2021

web most important operative dentistry mcqs with explanations mcqs in endodontics disinfection and obturation mcqs on odontogenic infections oral and maxillofacial surgery

deciduous teeth 1 oral anatomy mcqs for dental students - Oct 29 2021

web aug 27 2021 deciduous teeth wikidentia sign in to google to save your progress learn more 1 which of the following deciduous molars bears the greatest resemblance to a premolar 1 point a maxillary first b maxillary second c mandibular first *quick review of dental anatomy and occlusion mcqs* - Jul 06 2022

web quick review of dental anatomy and occlusion mcqs the only symbolic tooth numbering system is a fdi system b palmer system c universal system d ada system resorption in primary central incisors begin at a 2 years b 3 years

chapter 22 multiple choice questions oxford university press - May 16 2023

web question 1 the coronal suture joins the a frontal and parietal bones b left and right parietal bones c parietal and occipital bones d parietal squamous temporal and greater wing of the sphenoid question 2 which of the following bones has a process that joins with the zygomatic bone to form the zygomatic arch a the maxillary bone

chapter 28 multiple choice questions oxford university press - Nov 10 2022

web dentistry atkinson anatomy for dental students student resources multiple choice questions chapter 28 multiple choice questions

dental anatomy mcqs dental anatomy i studocu - Aug 07 2022

web dental anatomy questions 1 with answers dental anatomy questions 2 with answers geomatric outlines of the teeth dental anatomy final revision cell division hand summary cell organelles hand summary

mcqs from dental anatomy flashcards quizlet - Jul 18 2023

web created by efitz95 terms in this set 30 which of the following would not be considered a hard tissue a enamel b dentin c cementum d pulp d pulp a proximal surface is a facial buccal b mesial c lingual d a c b mesial teeth are responsible for a the digestion of food b the importance of speech c one s personal appearance

savita bhabhi indian porn comics all free episodes in pdf - Apr 02 2023

web mar 29 2008 all free episodes read and download all free episodes of the savita bhabhi cartoon and xxx apartments comics in pdf and try yourself out if the savita bhabhi membership is worth it if you like our free cartoons you can visit our subscribe page for more comics

savita bhabhi english fsicomics - Sep 26 2022

web read all episodes of savita bhabhi english comics episodes for free at fsicomics read now the latest indian savita bhabhi adult comic in english savita bhabhi is a regular indian woman in the eyes of the world but only a few lucky people know who she really is she is a woman who finds the need to explore her sexuality and enjoy the moment

[savita bhabhi episode 75 the father s daughter in law s](#) - Jun 23 2022

web savita bhabhi episode 75 the father s daughter in law s latest chapters free to read

[savita bhabhi all 83 episodes archive org](#) - Aug 06 2023

web jun 7 2023 2008 topics pornographic cartoon pdf collection opensource language english savita bhabhi is a pornographic cartoon character a housewife published by kirtu her promiscuous behaviour is justified by ashok her husband the title bhabhi sister in law is a respectful term for north indian housewives

savita bhabhi free download borrow and streaming internet - Sep 07 2023

web may 28 2022 opensource language english savita bhabhi is the first indian porn comics star who is popular since 2009 she keeps you turned on while she enjoys every moment of her sexual adventures addeddate 2022 05 28 18 36 04 identifier savitabhahi identifier ark ark 13960 s24psjv3rq6 ocr tesseract 5 0 0 1 g862e ocr detected lang en

savita bhabhi all episodes free download pdf video pornogids - Mar 21 2022

web we hasten to please you you don t have to search for no need to search all over the internet for the desired video below are the best xxx videos with savita bhabhi all episodes free download pdf in high quality exclusively on our website you can see real fuck where the plot has savita bhabhi all episodes free download pdf

[savita bhabhi episode 112 a new life pdf mo8jl4p73v2n](#) - Oct 08 2023

web download view savita bhabhi episode 112 a new life pdf as pdf for free more details pages 141 preview full text loading documents preview related documents more documents from rprafal savita bhabhi episode 112 a new life pdf mo8jl4p73v2n

download savita bhabhi free pdf oiipdf com - Nov 28 2022

web download savita bhabhi pdf title savita bhabhi category adult comic language english region india tags adult comics sex comics savita bhabhi comics savita bhabhi indian porn comics format

download savita bhabhi episode 112 a new life pdf - Mar 01 2023

web download savita bhabhi episode 112 a new life pdf type pdf date march 2021 size 12 6mb author ghi98183 this document was uploaded by user and they confirmed that they have the permission to share it if you are author or own the copyright of this book please report to us by using this dmca report dmca

[download top 269 savita bhabhi books pdf pdfdrive](#) - May 03 2023

web top 269 savita bhabhi books pdf download free on pdfdrive try now

savita bhabhi all episode pdf s for free download kevera - Dec 30 2022

web below you can read and download the free episodes of savita bhabhi comics in pdf and try yourself out if the savita bhabhi membership is worth it if you d like to read more indian porn comics please visit loving and innocent south indian aunty velamma

savita bhabhi episode 41 village festival comicless - Oct 28 2022

web savita bhabhi episode 41 village festival adult comics savita bhabhi episode 41 village festival 5 2493 43 author spiesger type porn subscribe read now click

savita bhabhi archive org - Apr 21 2022

web bhabhi i think i m gonna cum just by licking your pussy you can eat bhabhi s cunt forever and ever beta i don t think can hold it any longer too beta ooooff i don t think i can stay anymore too madam your dick is really digging and exploring my whole pussy i wanted to get a taste of your sweet cunt bhabhi hahal it can t get enough of your

savita bhabhi indian porn comics official site - Aug 26 2022

web mar 24 2023 savitabhabhi vip is the official home of your favorite porn comics of savita bhabhi or xxx apartments read indian sex cartoon in english hindi previously at kirtu com

savita bhabhi savita bhabhi ep 25 the uncle z lib org - Jul 25 2022

web savita darling after that day uncleji would find new ways to tease savita he wouldn t leave her alone even when ashok was in the house sorry uncle i thought savita was in here a 1 just came for some water qkirtu com

savita bhabhi episode 58 93 download pdf magazines - Jun 04 2023

web apr 21 2020 savita bhabhi episode 58 93 english 34 issues pdf zip 774 3 mb no 91 and 92 issues part 1 savita bhabhi 1 57

savita bhabhi 8muses sex and porn comics - Jul 05 2023

web savita bhabhi episode 1 bra salesman savita bhabhi episode 2 the crickett savita bhabhi episode 3 the party savita bhabhi episode 4 visiting cousin savita bhabhi episode 5 servant boy savita bhabhi episode 6 virginity lost savita bhabhi episode 7 doctor doctor savita bhabhi episode 8 the interview

savita bhabhi episode 100 k2kz9n0emg2y vbook pub - Jan 31 2023

web overview download view savita bhabhi episode 100 as pdf for free more details words 861 pages 123 preview full text loading documents preview related documents savita bhabhi episode 100 k2kz9n0emg2y 95397 5cb6f35578d6f95397 5cb6f35578d6f page 1 2019 savitabhabhi com

savita bhabhi free mobile porn xxx sex videos and porno - Feb 17 2022

web savita bhabhi indian wife ek vehshia runtime 2 min tap to preview download rating 2 8 s1 e1 savita bhabhi fucked her tenant in kitchen room runtime 7 28 touch to watch download rating 3 9 erotic desi bhabhi part 3 runtime 15 min tap to

preview download rating 3

savita bhabhi episode 17 [PDF](#) [PDF](#) [PDF](#) [PDF](#) [PDF](#) [PDF](#) **2** - May 23 2022

web apr 20 2023 indian comics pdf savita bhabhi episode 17 [PDF](#) [PDF](#) [PDF](#) [PDF](#) [PDF](#) [PDF](#) **2** report broken [PDF](#) [PDF](#) [PDF](#) [PDF](#) [PDF](#) [PDF](#) **2** chapter high quality sub indo savita bhabhi sexy adult indian comics free april 20 2023

sap hana datenbankadministration ihr umfassendes pdf - Mar 29 2022

web aug 30 2017 mindsquare knowhow sap entwicklung als pdf herunterladen ingo biermann 30 august 2017 hana db ist die kurzform für hana datenbank sie nutzt

sap hana datenbankadministration ihr umfassendes handbuch - Oct 04 2022

web scope of this document the sap hana administration guide is the central administration guide which aims to provide background information and details of procedures to operate

sap hana datenbankadministration ihr umfassendes handbuch für sap hana - Feb 08 2023

web abebooks com sap hana datenbankadministration ihr umfassendes handbuch für sap hana 2 0 9783836268509 by braasch bert faustmann andré geringer anna

hana db in memory hana datenbank mindsquare - Feb 25 2022

web sap hana datenbankadministration ihr umfassendes sap hana 2 0 security guide sap hana sap hana 2 0 administration digital marketing excellence next generation databases abap development for sap hana karin michaelis bibi books translating scandinavia scandinavian literature in italian and german translation 1918 1945

sap hana datenbankadministration ihr umfassendes copy - Sep 22 2021

sap hana datenbankadministration ihr umfassendes han - Apr 10 2023

web solely expressed the sap hana datenbankadministration ihr umfassendes handbuch für sap hana 2 0 sap press by bert braasch andré faustmann anna geringer hendrik müller

sap hana datenbankadministration ihr umfassendes copy - Jan 27 2022

web sap hana datenbankadministration ihr umfassendes pdf sap netweaver bw und sap businessobjects free sap hana berechtigungen und sicherheit ha240 sap hana

sap hana datenbankadministration ihr umfassendes handbuch für sap hana - Nov 05 2022

web d05f80b sap hana datenbankadministration ihr umfassendes schritt für schritt erfolgreiche migration auf sap s 4hana einrichten der datenreplikation in sap hana sap

sap hana datenbankadministration ihr umfassendes handbuch - Dec 26 2021

web your complete guide to safeguarding your sap hana 2 0 platform awaits get step by step instructions for configuring and

maintaining each security element from the new sap

9783836268509 sap hana datenbankadministration ihr - Jan 07 2023

web abebooks com sap hana datenbankadministration ihr umfassendes handbuch für sap hana 2 0 livre neuf expédié sous 2 jours ouvrés

sap hana datenbankadministr ation ihr umfassendes - Oct 24 2021

web mar 5 2023 sap hana datenbankadministration ihr umfassendes when people should go to the ebook stores search establishment by shop shelf by shelf it is in fact

sap hana datenbankadministration ihr umfassendes - May 11 2023

web aug 1 2019 sap hana datenbankadministration ihr umfassendes handbuch für sap hana 2 0 bert braasch 0 00 0

sap hana datenbankadministration ihr umfassendes - Jul 13 2023

web aug 1 2019 amazon com sap hana datenbankadministration ihr umfassendes handbuch für sap hana 2 0

9783836268509 braasch bert faustmann andré

sap hana datenbankadministration ihr umfassendes handbuch für sap - May 31 2022

web sap s 4hana cloud thomas saueressig 2022 sap s 4hana cloud has a lot to offer see what s possible explore core functionality like finance logistics and reporting with

sap hana datenbankadministration ihr umfassendes lars - Apr 29 2022

web sap hana 2 0 certification guide sap hana 2 0 security guide data provisioning for sap hana sap ase sybase ase 16 administration concept invention sap hana

sap hana datenbankadministration ihr umfassendes - Dec 06 2022

web get the sap hana datenbankadministration ihr umfassendes handbuch für sap hana 2 0 sap press by bert braasch andré faustmann anna geringer hendrik müller benjamin wegner andré siegling join that we have the capital for here and check out the link you have endured in right site to begin getting this facts in the household office or

sap hana datenbankadministration ihr umfassendes - Nov 24 2021

web sap hana datenbankadministration ihr umfassendes 3 3 model your first cds view and understand how to work with entity types associations annotations access

sap hana datenbankadministration sap press - Aug 14 2023

web jul 8 2019 sap hana datenbankadministration ihr umfassendes handbuch für sap hana 2 0 sap press braasch bert faustmann andré geringer anna

sap hana datenbankadministration ihr umfassendes handbuch - Jul 01 2022

web online leseproben sap hana datenbankadministration ihr umfassendes handbuch für sap hana 2 0 sap press buch

schreiben net sap hana d

sap hana administration guide sap help portal - Sep 03 2022

web ermöglicht es ihnen rollen aufzuheben die im sap hana repository für dbms benutzer angelegt wurden der datenbankbenutzer muss sich mit einem benutzernamen und

sap hana datenbankadministration ihr umfassendes - Jun 12 2023

web sap hana datenbankadministration ihr umfassendes handbuch für sap hana 2 0 by braasch bert faustmann andré geringer anna müller hendrik siegling andré

dbms benutzerverwaltung für sap hana konfigurieren - Aug 02 2022

web upc 9783836268509 sap hana datenbankadministration ihr umfassendes handbuch für sap hana 2 0 3 variations info barcode images gtin registration where to buy

sap hana datenbankadministration ihr umfassendes handbuch - Mar 09 2023

web plainly put the sap hana datenbankadministration ihr umfassendes handbuch für sap hana 2 0 sap press by bert braasch andré faustmann anna geringer hendrik müller benjamin wegner andré siegling is widely suitable with any devices to browse along with instructions you could indulge in the present is sap hana datenbankadministration ihr