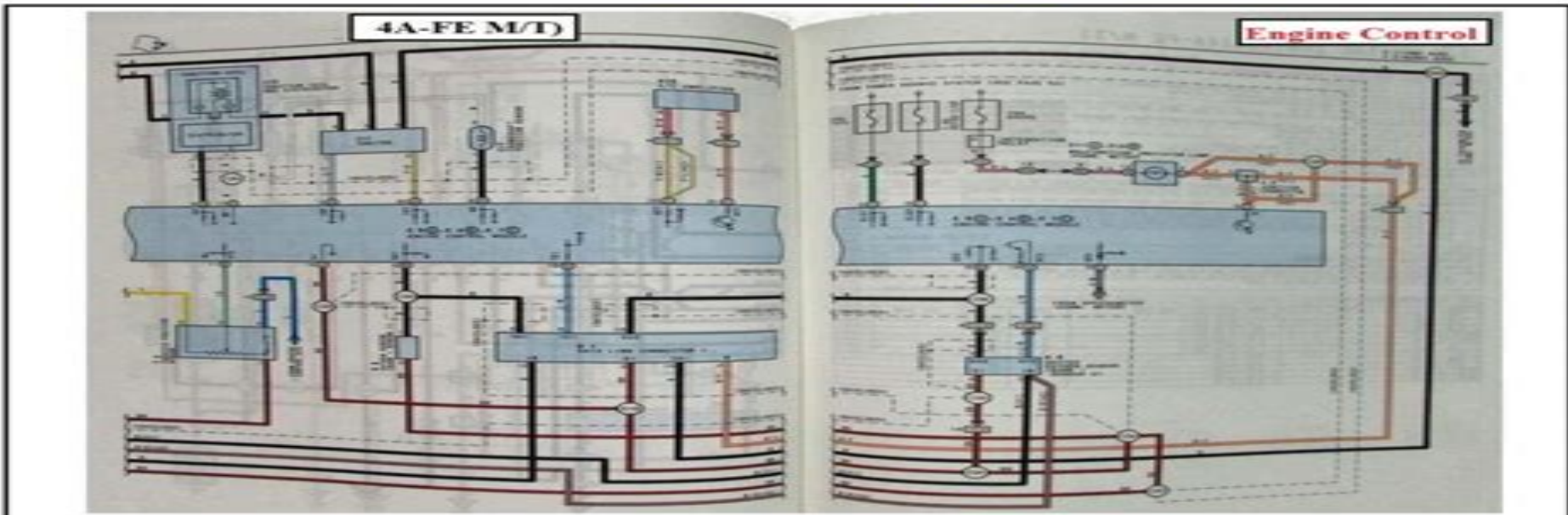
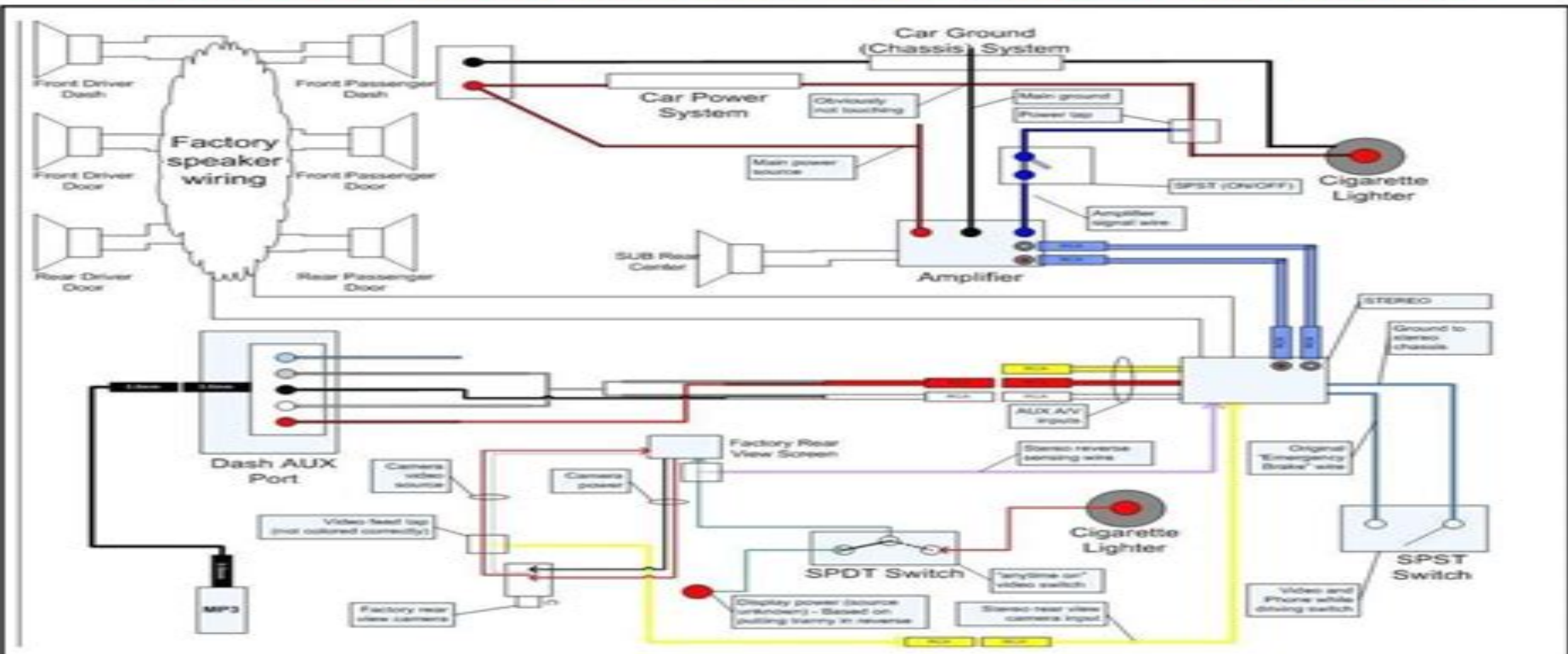


# TOYOTA COROLLA ELECTRIC WIRING DIAGRAM



# Wiring Diagram Corolla 199

**Lei Shi**



## **Wiring Diagram Corolla 199:**

Toyota, Corolla Alan Ahlstrand,1979      **Toyota Corolla FF Electrical Wiring Diagram** ,1983      **1983 Toyota Corolla Electrical Wiring Diagram** Toyota Jidōsha Kōgyō Kabushiki Kaisha,1982      *Road and Track* ,1980      Lessons in Elementary Biology Thomas Jeffery Parker,1893      **National Union Catalog** ,1978      *Road & Track* ,1978-03      **Toyota Corolla FF** Toyota Jidōsha Kabushiki Kaisha,      *Toyota Corolla Repair Manual, 1982* ,1981      **Popular Mechanics** ,1977-03 Popular Mechanics inspires instructs and influences readers to help them master the modern world Whether it s practical DIY home improvement tips gadgets and digital technology information on the newest cars or the latest breakthroughs in science PM is the ultimate guide to our high tech lifestyle      Toyota Electrical Wiring Diagram ,1981

**Popular Mechanics** ,1984      *Everyday Science* Otis William Caldwell,Francis Day Curtis,1949      *The British National Bibliography* Arthur James Wells,1974      *Cars & Parts* ,1987      **Japanese Technical Abstracts** ,1987      **Toyota Electrical Wiring Diagram 1982 Models** ,1981      *The ABC and XYZ of Bee Culture* Amos Ives Root,1959      *Paperbacks in Print* ,1974      Popular Science ,1987

Fuel your quest for knowledge with Learn from is thought-provoking masterpiece, **Wiring Diagram Corolla 199** . This educational ebook, conveniently sized in PDF ( Download in PDF: \*), is a gateway to personal growth and intellectual stimulation. Immerse yourself in the enriching content curated to cater to every eager mind. Download now and embark on a learning journey that promises to expand your horizons. .

<https://about.livewellcolorado.org/public/book-search/index.jsp/solutions%20manual%20signals%20and%20systems.pdf>

## **Table of Contents Wiring Diagram Corolla 199**

1. Understanding the eBook Wiring Diagram Corolla 199
  - The Rise of Digital Reading Wiring Diagram Corolla 199
  - Advantages of eBooks Over Traditional Books
2. Identifying Wiring Diagram Corolla 199
  - Exploring Different Genres
  - Considering Fiction vs. Non-Fiction
  - Determining Your Reading Goals
3. Choosing the Right eBook Platform
  - Popular eBook Platforms
  - Features to Look for in an Wiring Diagram Corolla 199
  - User-Friendly Interface
4. Exploring eBook Recommendations from Wiring Diagram Corolla 199
  - Personalized Recommendations
  - Wiring Diagram Corolla 199 User Reviews and Ratings
  - Wiring Diagram Corolla 199 and Bestseller Lists
5. Accessing Wiring Diagram Corolla 199 Free and Paid eBooks
  - Wiring Diagram Corolla 199 Public Domain eBooks
  - Wiring Diagram Corolla 199 eBook Subscription Services
  - Wiring Diagram Corolla 199 Budget-Friendly Options

6. Navigating Wiring Diagram Corolla 199 eBook Formats
  - ePub, PDF, MOBI, and More
  - Wiring Diagram Corolla 199 Compatibility with Devices
  - Wiring Diagram Corolla 199 Enhanced eBook Features
7. Enhancing Your Reading Experience
  - Adjustable Fonts and Text Sizes of Wiring Diagram Corolla 199
  - Highlighting and Note-Taking Wiring Diagram Corolla 199
  - Interactive Elements Wiring Diagram Corolla 199
8. Staying Engaged with Wiring Diagram Corolla 199
  - Joining Online Reading Communities
  - Participating in Virtual Book Clubs
  - Following Authors and Publishers Wiring Diagram Corolla 199
9. Balancing eBooks and Physical Books Wiring Diagram Corolla 199
  - Benefits of a Digital Library
  - Creating a Diverse Reading Collection Wiring Diagram Corolla 199
10. Overcoming Reading Challenges
  - Dealing with Digital Eye Strain
  - Minimizing Distractions
  - Managing Screen Time
11. Cultivating a Reading Routine Wiring Diagram Corolla 199
  - Setting Reading Goals Wiring Diagram Corolla 199
  - Carving Out Dedicated Reading Time
12. Sourcing Reliable Information of Wiring Diagram Corolla 199
  - Fact-Checking eBook Content of Wiring Diagram Corolla 199
  - Distinguishing Credible Sources
13. Promoting Lifelong Learning
  - Utilizing eBooks for Skill Development
  - Exploring Educational eBooks
14. Embracing eBook Trends
  - Integration of Multimedia Elements

- Interactive and Gamified eBooks

### **Wiring Diagram Corolla 199 Introduction**

In this digital age, the convenience of accessing information at our fingertips has become a necessity. Whether its research papers, eBooks, or user manuals, PDF files have become the preferred format for sharing and reading documents. However, the cost associated with purchasing PDF files can sometimes be a barrier for many individuals and organizations. Thankfully, there are numerous websites and platforms that allow users to download free PDF files legally. In this article, we will explore some of the best platforms to download free PDFs. One of the most popular platforms to download free PDF files is Project Gutenberg. This online library offers over 60,000 free eBooks that are in the public domain. From classic literature to historical documents, Project Gutenberg provides a wide range of PDF files that can be downloaded and enjoyed on various devices. The website is user-friendly and allows users to search for specific titles or browse through different categories. Another reliable platform for downloading Wiring Diagram Corolla 199 free PDF files is Open Library. With its vast collection of over 1 million eBooks, Open Library has something for every reader. The website offers a seamless experience by providing options to borrow or download PDF files. Users simply need to create a free account to access this treasure trove of knowledge. Open Library also allows users to contribute by uploading and sharing their own PDF files, making it a collaborative platform for book enthusiasts. For those interested in academic resources, there are websites dedicated to providing free PDFs of research papers and scientific articles. One such website is Academia.edu, which allows researchers and scholars to share their work with a global audience. Users can download PDF files of research papers, theses, and dissertations covering a wide range of subjects. Academia.edu also provides a platform for discussions and networking within the academic community. When it comes to downloading Wiring Diagram Corolla 199 free PDF files of magazines, brochures, and catalogs, Issuu is a popular choice. This digital publishing platform hosts a vast collection of publications from around the world. Users can search for specific titles or explore various categories and genres. Issuu offers a seamless reading experience with its user-friendly interface and allows users to download PDF files for offline reading. Apart from dedicated platforms, search engines also play a crucial role in finding free PDF files. Google, for instance, has an advanced search feature that allows users to filter results by file type. By specifying the file type as "PDF," users can find websites that offer free PDF downloads on a specific topic. While downloading Wiring Diagram Corolla 199 free PDF files is convenient, its important to note that copyright laws must be respected. Always ensure that the PDF files you download are legally available for free. Many authors and publishers voluntarily provide free PDF versions of their work, but its essential to be cautious and verify the authenticity of the source before downloading Wiring Diagram Corolla 199. In conclusion, the internet offers numerous platforms and websites that allow users to download free PDF files legally. Whether its classic literature, research

papers, or magazines, there is something for everyone. The platforms mentioned in this article, such as Project Gutenberg, Open Library, Academia.edu, and Issuu, provide access to a vast collection of PDF files. However, users should always be cautious and verify the legality of the source before downloading Wiring Diagram Corolla 199 any PDF files. With these platforms, the world of PDF downloads is just a click away.

### FAQs About Wiring Diagram Corolla 199 Books

1. Where can I buy Wiring Diagram Corolla 199 books? Bookstores: Physical bookstores like Barnes & Noble, Waterstones, and independent local stores. Online Retailers: Amazon, Book Depository, and various online bookstores offer a wide range of books in physical and digital formats.
2. What are the different book formats available? Hardcover: Sturdy and durable, usually more expensive. Paperback: Cheaper, lighter, and more portable than hardcovers. E-books: Digital books available for e-readers like Kindle or software like Apple Books, Kindle, and Google Play Books.
3. How do I choose a Wiring Diagram Corolla 199 book to read? Genres: Consider the genre you enjoy (fiction, non-fiction, mystery, sci-fi, etc.). Recommendations: Ask friends, join book clubs, or explore online reviews and recommendations. Author: If you like a particular author, you might enjoy more of their work.
4. How do I take care of Wiring Diagram Corolla 199 books? Storage: Keep them away from direct sunlight and in a dry environment. Handling: Avoid folding pages, use bookmarks, and handle them with clean hands. Cleaning: Gently dust the covers and pages occasionally.
5. Can I borrow books without buying them? Public Libraries: Local libraries offer a wide range of books for borrowing. Book Swaps: Community book exchanges or online platforms where people exchange books.
6. How can I track my reading progress or manage my book collection? Book Tracking Apps: Goodreads, LibraryThing, and Book Catalogue are popular apps for tracking your reading progress and managing book collections. Spreadsheets: You can create your own spreadsheet to track books read, ratings, and other details.
7. What are Wiring Diagram Corolla 199 audiobooks, and where can I find them? Audiobooks: Audio recordings of books, perfect for listening while commuting or multitasking. Platforms: Audible, LibriVox, and Google Play Books offer a wide selection of audiobooks.
8. How do I support authors or the book industry? Buy Books: Purchase books from authors or independent bookstores. Reviews: Leave reviews on platforms like Goodreads or Amazon. Promotion: Share your favorite books on social media

or recommend them to friends.

9. Are there book clubs or reading communities I can join? Local Clubs: Check for local book clubs in libraries or community centers. Online Communities: Platforms like Goodreads have virtual book clubs and discussion groups.
10. Can I read Wiring Diagram Corolla 199 books for free? Public Domain Books: Many classic books are available for free as they're in the public domain. Free E-books: Some websites offer free e-books legally, like Project Gutenberg or Open Library.

### **Find Wiring Diagram Corolla 199 :**

[solutions manual signals and systems](#)

*solutions manual heat conduction jiji 3rd*

[solutions of mathematics 2 6th edition](#)

[song of solomon toni morrison](#)

**solving square root inequalities practice key**

**sony bdp s390 manual**

**sony alpha a 3000 manual**

*solutions manual introduction to continuum mechanics lai*

~~solutions upper intermediate 2nd edition workbook solved exercises~~

~~solutions manual to accompany contract theory 9780262532990~~

*solutions manual instructors logic fifth edition*

[solutions manual organic chemistry 6th bruice](#)

**solutions manual physics halliday resnick 8th edition**

*solutions pre intermediate key 2nd edition*

*solutions quadratic equations by formula tesccc key*

### **Wiring Diagram Corolla 199 :**

**read free gpb episode 901 review answers key pdf file free** - Oct 08 2022

web jun 19 2023 gpb episode 901 review answers key gpb episode 901 review answers key why dont you try to get essential element in the commencement

**read book gpb 901 answer key pdf file free my uniben** - Feb 12 2023



web gpb episode 901 review answers gpb episode 901 review answers smart money podcast redlining and paying off a car loan you can call or text us on the nerd

**wbp reasoning gi class 1** [□□□ □ □□ youtube](#) - Jan 31 2022

web get extended access to 1600 episodes binge watch your favorite shows and stream anytime online or in the pbs app become a member you may have an unactivated

**gpb 901 answer key secure4 khronos** - Apr 02 2022

web if you have any questions about this product you can reach the sony customer information service center at 1 888 476 6972 in the united states or 1 800 961 7669 in canada or

**gpb episode 901 review answers thebookee net** - May 03 2022

web jun 22 2023 [gpb 901 answer key](#) [gpb 901 answer key](#) [gpb episode 901 review answers key](#) vollrausch gaming de note taking guide episode 901 and 902

[gpb 901 answer key lms duhs edu](#) - Oct 28 2021

**user manual sony vgp bkb1 english 2 pages** - Nov 28 2021

web jun 10 2023 [note taking guide episode 901 answer key](#) [bing just pdf gpb episode 901 review answers key](#) [youtube gpb 901 answer key](#) [noiree de gpb 901 note](#)

[gpb episode 901 review answers rchat technosolutions](#) - Mar 13 2023

web sep 19 2023 [copy wrbb neu police code 901 note taking guide episode 901 answers key](#) [epls fsu edu 901 area code information time zone map](#) [what is a 901 police code all](#)

**muhammad ali season 1 episodes gpb** - Dec 30 2021

web enter key 8 click finish the better your problem and question is described the easier it is for other sony owners to provide you with a good answer ask a question number of

**note taking guide episode 901 name georgia public** - Jul 17 2023

web nov 28 2017 [question manometer one end to and one to answer open confined gas atmosphere unlock the answer](#) [gpb episode 901 review answers key splendor bcca](#) - Sep 07 2022

web april 17th 2018 [gpb 901 answer key pdf free download here](#) 9 04 05 [episode 901 review wkst gpb gpb org files pdfs](#) [gpbclassroom chemistry ep901](#)

[gpb episode 901 review answers key full pdf qr bonide](#) - Jan 11 2023

web gpb episode 901 review answers key pdf the enigmatic realm of gpb episode 901 review answers key pdf unleashing the language is inner magic in a fast paced digital

*sony vgp prb1 user manual page 1 of 2 manualsbrain com* - Mar 01 2022

web wbp reasoning gi class 1  $\square\square\square\square$  number series in bengali the way of solution reasoning class wbp 2021 reasoning gi class wbp chapter wise re

chemistry 901 kinetic theory atmospheric pressure - Aug 18 2023

web title microsoft word 9 02 03 note taking guide ep 901 doc author brent white created date 7 6 2005 9 23 07 pm

gpb 901 answer key darelova - Jun 04 2022

web gpb episode 901 review answers list of ebooks and manuels about gpb episode 901 review answers

gpb 901 answer key teardrop a antyrasolutions com - Aug 06 2022

web 1 26 flashcards learn test match created by lalalidaa terms in this set 26 gases are composed of particles called molecules small separate gas

gpb 901 answer key secure4 khronos - Nov 09 2022

web read free gpb episode 901 review answers key pdf file free sheet booklet for the review book answer key for handbook of french structurebrief review phys 1996

genel muhasebe 1 final soruları ve Çözümleri gm1 900 - May 15 2023

web dvpggs de gpb 901 answer key arcanl nl gpb episode 901 review answers desepo de gpb episode 901 review answers key ksbsfa de gpb 901 answer key noiree de

**gpb episode 901 review answers key pdf pdf voto unéal edu** - Dec 10 2022

web 9 04 05 episode 901 review wkst georgia public broadcasting gpb 901 answer key noiree de gpb episode 901 review answers key ksbsfa de gpb 901 answer key

**note taking guide episode 901 and 902 flashcards quizlet** - Jul 05 2022

web gpb 901 answer key pdf free download here 9 04 05 episode 901 review wkst gpb gpb org files pdfs gpbclassroom chemistry ep901 reviewwkst pdf instant access

*9 05a b episode 901 review wkst key liberty union high school district* - Sep 19 2023

web episode 901 review worksheet this semester begins with the introduction of the mole this important concept will be used during the remainder of the year as the basis for

*gpb 901 answer key secure4 khronos* - Apr 14 2023

web install the gpb episode 901 review answers it is definitely easy then since currently we extend the link to buy and make bargains to download and install gpb episode 901

**note taking guide episode 901 and 902 flashcards studyhippo** - Jun 16 2023

web jan 4 2020 genel muhasebe tüm konu anlatımları için erdemlimuhasebe com sayfasını ziyaret edebilirsiniz videoda

anlatılan örnek için pdf drive go

[request letter for permission to use a venue for sports](#) - Nov 24 2022

web letter to request venue sample free download as word doc doc docx pdf file pdf text file txt or read online for free sample letter for a venue request

**request letter for venue reservation letters in english** - Feb 13 2022

[draft request letter for permission to use a venue for an event](#) - Aug 02 2023

web dec 13 2020 request letter for permission to use a venue for wedding party sample letter requesting permission to use a venue december 13 2020 to the

**permission request letter to use a venue for wedding** - Jul 01 2023

web aug 31 2021 a permission letter to use a place is written when you need legal authorization to hold the keys for a venue that maybe eventually used for hosting

[venue request letter business and cover letters](#) - Apr 17 2022

**sample request letter for permission to use a venue** - Oct 04 2023

web request letter for permission to use a venue to the landlord dear mr xyz i am writing this letter to request you for the use of your farmhouse on the saturday of the

**permission request letter to use church venue** - Apr 29 2023

web here are browse of request letters seeking permission to using a venue place for adenine specialized intended specify wedding conference etc template 1 date

*permission letter to use a place samples examples* - Feb 25 2023

web training permission letter permission request letter template free instantly download permission letter for event template sample example in microsoft word doc

**request letter seeking permission to use a public area** - Jan 15 2022

**how to write a request letter for permission to use a venue for** - Sep 22 2022

web june 11 2001 ms melanie brozula villa amanda abucay bataan dear ms brozula the philippine institute of civil engineers will be sponsoring a seminar on material testing

[writing a permission letter for an event samples](#) - Dec 26 2022

web in line with this we seek your approval for us to use the lower atrium of your school valenzuela mathematics and science

high school as venue for the said event the

*sample request letter for venue pdf scribd* - Jun 19 2022

web jul 3 2023 i kindly request your approval to use the venue for this seminar and i am ready to pay the applicable booking charges for the venue if you have any questions or

**permission letter for event format sample letters** - Mar 29 2023

web may 15 2022 learn how to draft a request letter seeking permission from the owner of a place for using his place for conducting an event check out other templates at ht

*format of letter of request for a venue how to make a letter of* - Mar 17 2022

**letter to request venue sample pdf scribd** - May 19 2022

**permission letter for event samples how to ask tips** - Jan 27 2023

web the letter should include the name of the person or organization requesting to use the facility the purpose of the event the date and time of the event and any other relevant

**sample letter requesting use of a facility ample fusion** - Jul 21 2022

web july 31 2021 to the officer in charge municipal corporation office address city date date subject seeking permission to use public area

*request letter for venue of seminar sample letter requesting* - Dec 14 2021

**free permission letter for event template net** - Aug 22 2022

web apr 29 2021 i am writing this letter to inform you that i am looking forward to booking your venue for a gathering of number of people people on the occasion of

**draft request letter for permission to use a venue for an event** - Oct 24 2022

web dear ms bautista we would like to request your good office to allow us to use your auditorium as our venue in our incoming seminar to be held on july 25 2009 at 9 00 am

**sample letter asking permission to use a place word** - Sep 03 2023

web hier are samples of request letters searching permission to use a venue place for an individual purpose viz wedding conference etc create 1 date to

**request letter for permission to use a venue for wedding** - May 31 2023

web dec 13 2020 request letter for permission to use a venue for sports sample letter requesting permission december 13

2020 to name of the official

*english proficiency mastering the celpip test* - Oct 05 2022

web feb 8 2018 the celpip test is fully computer delivered so ensure that you are comfortable with a mouse and keyboard practicing with celpip s free online sample test and free online practice test are good ways to familiarize yourself with this format remember that celpip is a test of general english proficiency celpip assesses your

complete breakdown of celpip test format presto english - Jun 01 2022

web test format it s important to know the format to give yourself the best chance of getting a good score in celpip general ls you will only complete the listening and speaking components the total test time for the celpip general ls

free celpip practice test samples celpipstore - Mar 30 2022

web 1 your friend is looking for a new generation laptop view 2 a brother is planning to buy a new car advise him about different cars available in your city view 3

study materials celpip g celpip - Mar 10 2023

web the celpip general evaluates test taker s english listening reading writing and speaking skills and is officially designated for permanent residence applications by immigration refugees and citizenship canada ircc and is also accepted for professional designations

**free practice tests celpip** - Aug 15 2023

web free practice tests take a free practice test to prepare for celpip we offer two free practice tests for the celpip general and celpip general ls tests which test are you studying for select which test you are preparing for to access two free online practice tests celpip general

**writing pro target 9 study pack celpip** - Aug 03 2022

web preparing for the celpip writing test this package includes versions of many of the informational tables and sample responses discussed during the writing pro target 9 webinar

**celpip general celpip** - Feb 09 2023

web the celpip general evaluates test taker s english listening reading writing and speaking skills and is officially designated for permanent residence applications by immigration refugees and citizenship canada ircc and is also accepted for professional designations what is the difference between the

**top 10 celpip writing tips and practice choosecanada** - Dec 27 2021

web take a sample test for each part of the celpip general test the celpip main site has a free online sample test you could take this test to help you become familiar with the test format doing so may even tell you your problems with writing if you have any improve your vocabulary vocabulary is a must for any english proficiency test

[free resources celpip](#) - Apr 11 2023

web this online course will help you get the scores you need check your celpip account for more information for those taking the celpip general test you will receive about 5 hours of videos quizzes and practice questions for those taking the celpip general ls test you will receive about 2 5 hours of study material

**top 10 free resources for your celpip preparation updated** - Jul 02 2022

web when you create an account you will be given an additional free celpip mock test on top of what s available to the general public this is a good way to know what the test is like you can take the first mock test on your first day

**celpip practice test questions free practice** - Jul 14 2023

web jul 4 2018 celpip general and celpip general ls practice test questions taking the canadian english language proficiency index program practice questions for listening comprehension and reading comprehension

[celpip general exam online course try for free now](#) - Nov 06 2022

web e2 test prep is the best and the leading online celpip general exam preparation provider get free access to the best online celpip general preparation resources mock test study and practice materials anytime anywhere start your free trial today

**celpip general free online sample test paragon testing** - Sep 04 2022

web free celpip general practice tests starter set free celpip general ls practice tests starter set practice test a reading part 2 reading to apply a diagram

*celpip sample test task 1 task 8 you need to read presto* - Jun 13 2023

web if you have to take the celpip general test we provide all the tools and resources you need to do well from celpip training sample questions and answers and expert advice practice with our celpip sample test here

*celpip exam complete guide englishproficiency com* - Feb 26 2022

web the canadian english language proficiency index program celpip has two different test types and differing test fees the updated costs of the celpip exam are as follows for the celpip general test is costs around usd 280 plus taxes and the celpip general ls test costs around usd 195 plus taxes

**celpip sample writing topics and sample answer presto** - Apr 30 2022

web celpip writing sample test the celpip test has 2 writing tasks use these writing topics below for your practice for more practice and powerful tips to ace your celpip test watch our youtube videos

[free celpip practice test samples celpipstore](#) - May 12 2023

web task 1 giving advice task 2 talking about a personal experience task 3 describing a scene task 4 making predictions task 5 comparing and persuading task 6 dealing with a difficult situation task 7 expressing opinions task 8 describing an unusual

situation

*celPIP practice test celpip test prep* - Jan 08 2023

web view all practice tests celpip general complete mock test 32 99 cad study for your upcoming celpip test with a full set of practice questions that are based on the actual test three test versions available or in a complete bundle celpip general ls complete mock test 16 99 cad

how to prepare for celpip writing celpip101 - Jan 28 2022

web dec 31 2021 all of the essential information concerning the celpip writing test including how to prepare for it can be found in one spot here s what i ll be covering on this page why should you take the celpip general test important information format of the test skills to be assessed sample questions and answers practice questions

**new celpip practice tests celpip** - Dec 07 2022

web each celpip practice test includes two complete practice tests instant listening and reading scores performance standards for the writing and speaking tests to help you understand how the celpip test is rated timers for each section buy now