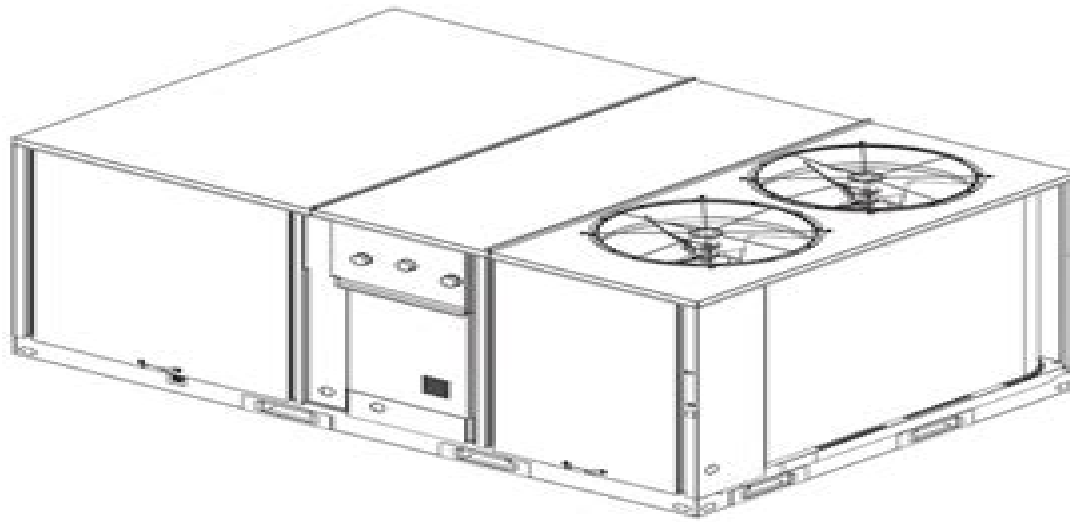


Installation, Operation, and Maintenance
Packaged Rooftop Air Conditioners
Voyager™ – Cooling, Gas/Electric
12.5 to 25 Tons, 60/50Hz



Model Number:

YS* 150-300

YH* 150-300

⚠ SAFETY WARNING

Only qualified personnel should install and service the equipment. The installation, starting up, and servicing of heating, ventilating, and air-conditioning equipment can be hazardous and requires specific knowledge and training. Improperly installed, adjusted or altered equipment by an unqualified person could result in death or serious injury. When working on the equipment, observe all precautions in the literature and on the tags, stickers, and labels that are attached to the equipment.

April 2020

RT-SVX26R-EN

Wiring Diagram Trane Air Conditione Ttk

William Goodman



Wiring Diagram Trane Air Conditione Ttk:

Trane Air Conditioning Manual ,1973 **Trane Air Conditioning Manual Rev. Ed** ,1965 **Trane Air Conditioning Manual** ,1958 *Trane Air Conditioning Manual* William Goodman,1974 Chilton's Auto Air Conditioning & Wiring Diagram Manual Chilton Book Company. Automotive Book Department,1971 **The Trane Air Conditioning Manual** William Goodman,Trane Company,1935 Educational Material for Using the Trane Psychometric Chart and the Trane Air Conditioning Ruler to Troubleshoot Air Conditioning Problems Trane Company (La Crosse, Wi.), Trane Air Conditioning, Cooling, Ventilating, Heating, Drying Trane Company,1934

Whispering the Strategies of Language: An Psychological Quest through **Wiring Diagram Trane Air Conditione Ttk**

In a digitally-driven world wherever screens reign supreme and instant connection drowns out the subtleties of language, the profound techniques and emotional subtleties concealed within words frequently move unheard. However, nestled within the pages of **Wiring Diagram Trane Air Conditione Ttk** a interesting literary value pulsing with raw feelings, lies an exceptional quest waiting to be undertaken. Written by an experienced wordsmith, that marvelous opus encourages readers on an introspective trip, softly unraveling the veiled truths and profound impact resonating within ab muscles cloth of every word. Within the psychological depths with this poignant evaluation, we will embark upon a heartfelt exploration of the book is primary themes, dissect its fascinating writing model, and yield to the powerful resonance it evokes serious within the recesses of readers hearts.

https://about.livewellcolorado.org/book/virtual-library/Download_PDFS/box%20and%20whisker%20kuta.pdf

Table of Contents Wiring Diagram Trane Air Conditione Ttk

1. Understanding the eBook Wiring Diagram Trane Air Conditione Ttk
 - The Rise of Digital Reading Wiring Diagram Trane Air Conditione Ttk
 - Advantages of eBooks Over Traditional Books
2. Identifying Wiring Diagram Trane Air Conditione Ttk
 - Exploring Different Genres
 - Considering Fiction vs. Non-Fiction
 - Determining Your Reading Goals
3. Choosing the Right eBook Platform
 - Popular eBook Platforms
 - Features to Look for in an Wiring Diagram Trane Air Conditione Ttk
 - User-Friendly Interface
4. Exploring eBook Recommendations from Wiring Diagram Trane Air Conditione Ttk
 - Personalized Recommendations

- Wiring Diagram Trane Air Conditione Ttk User Reviews and Ratings
- Wiring Diagram Trane Air Conditione Ttk and Bestseller Lists
- 5. Accessing Wiring Diagram Trane Air Conditione Ttk Free and Paid eBooks
 - Wiring Diagram Trane Air Conditione Ttk Public Domain eBooks
 - Wiring Diagram Trane Air Conditione Ttk eBook Subscription Services
 - Wiring Diagram Trane Air Conditione Ttk Budget-Friendly Options
- 6. Navigating Wiring Diagram Trane Air Conditione Ttk eBook Formats
 - ePub, PDF, MOBI, and More
 - Wiring Diagram Trane Air Conditione Ttk Compatibility with Devices
 - Wiring Diagram Trane Air Conditione Ttk Enhanced eBook Features
- 7. Enhancing Your Reading Experience
 - Adjustable Fonts and Text Sizes of Wiring Diagram Trane Air Conditione Ttk
 - Highlighting and Note-Taking Wiring Diagram Trane Air Conditione Ttk
 - Interactive Elements Wiring Diagram Trane Air Conditione Ttk
- 8. Staying Engaged with Wiring Diagram Trane Air Conditione Ttk
 - Joining Online Reading Communities
 - Participating in Virtual Book Clubs
 - Following Authors and Publishers Wiring Diagram Trane Air Conditione Ttk
- 9. Balancing eBooks and Physical Books Wiring Diagram Trane Air Conditione Ttk
 - Benefits of a Digital Library
 - Creating a Diverse Reading Collection Wiring Diagram Trane Air Conditione Ttk
- 10. Overcoming Reading Challenges
 - Dealing with Digital Eye Strain
 - Minimizing Distractions
 - Managing Screen Time
- 11. Cultivating a Reading Routine Wiring Diagram Trane Air Conditione Ttk
 - Setting Reading Goals Wiring Diagram Trane Air Conditione Ttk
 - Carving Out Dedicated Reading Time
- 12. Sourcing Reliable Information of Wiring Diagram Trane Air Conditione Ttk
 - Fact-Checking eBook Content of Wiring Diagram Trane Air Conditione Ttk

- Distinguishing Credible Sources
13. Promoting Lifelong Learning
- Utilizing eBooks for Skill Development
 - Exploring Educational eBooks
14. Embracing eBook Trends
- Integration of Multimedia Elements
 - Interactive and Gamified eBooks

Wiring Diagram Trane Air Conditione Ttk Introduction

In this digital age, the convenience of accessing information at our fingertips has become a necessity. Whether its research papers, eBooks, or user manuals, PDF files have become the preferred format for sharing and reading documents. However, the cost associated with purchasing PDF files can sometimes be a barrier for many individuals and organizations. Thankfully, there are numerous websites and platforms that allow users to download free PDF files legally. In this article, we will explore some of the best platforms to download free PDFs. One of the most popular platforms to download free PDF files is Project Gutenberg. This online library offers over 60,000 free eBooks that are in the public domain. From classic literature to historical documents, Project Gutenberg provides a wide range of PDF files that can be downloaded and enjoyed on various devices. The website is user-friendly and allows users to search for specific titles or browse through different categories. Another reliable platform for downloading Wiring Diagram Trane Air Conditione Ttk free PDF files is Open Library. With its vast collection of over 1 million eBooks, Open Library has something for every reader. The website offers a seamless experience by providing options to borrow or download PDF files. Users simply need to create a free account to access this treasure trove of knowledge. Open Library also allows users to contribute by uploading and sharing their own PDF files, making it a collaborative platform for book enthusiasts. For those interested in academic resources, there are websites dedicated to providing free PDFs of research papers and scientific articles. One such website is Academia.edu, which allows researchers and scholars to share their work with a global audience. Users can download PDF files of research papers, theses, and dissertations covering a wide range of subjects. Academia.edu also provides a platform for discussions and networking within the academic community. When it comes to downloading Wiring Diagram Trane Air Conditione Ttk free PDF files of magazines, brochures, and catalogs, Issuu is a popular choice. This digital publishing platform hosts a vast collection of publications from around the world. Users can search for specific titles or explore various categories and genres. Issuu offers a seamless reading experience with its user-friendly interface and allows users to download PDF files for offline reading. Apart from dedicated platforms, search engines also play a crucial role in finding free PDF files. Google, for

instance, has an advanced search feature that allows users to filter results by file type. By specifying the file type as "PDF," users can find websites that offer free PDF downloads on a specific topic. While downloading Wiring Diagram Trane Air Conditione Ttk free PDF files is convenient, its important to note that copyright laws must be respected. Always ensure that the PDF files you download are legally available for free. Many authors and publishers voluntarily provide free PDF versions of their work, but its essential to be cautious and verify the authenticity of the source before downloading Wiring Diagram Trane Air Conditione Ttk. In conclusion, the internet offers numerous platforms and websites that allow users to download free PDF files legally. Whether its classic literature, research papers, or magazines, there is something for everyone. The platforms mentioned in this article, such as Project Gutenberg, Open Library, Academia.edu, and Issuu, provide access to a vast collection of PDF files. However, users should always be cautious and verify the legality of the source before downloading Wiring Diagram Trane Air Conditione Ttk any PDF files. With these platforms, the world of PDF downloads is just a click away.

FAQs About Wiring Diagram Trane Air Conditione Ttk Books

How do I know which eBook platform is the best for me? Finding the best eBook platform depends on your reading preferences and device compatibility. Research different platforms, read user reviews, and explore their features before making a choice. Are free eBooks of good quality? Yes, many reputable platforms offer high-quality free eBooks, including classics and public domain works. However, make sure to verify the source to ensure the eBook credibility. Can I read eBooks without an eReader? Absolutely! Most eBook platforms offer web-based readers or mobile apps that allow you to read eBooks on your computer, tablet, or smartphone. How do I avoid digital eye strain while reading eBooks? To prevent digital eye strain, take regular breaks, adjust the font size and background color, and ensure proper lighting while reading eBooks. What the advantage of interactive eBooks? Interactive eBooks incorporate multimedia elements, quizzes, and activities, enhancing the reader engagement and providing a more immersive learning experience. Wiring Diagram Trane Air Conditione Ttk is one of the best book in our library for free trial. We provide copy of Wiring Diagram Trane Air Conditione Ttk in digital format, so the resources that you find are reliable. There are also many Ebooks of related with Wiring Diagram Trane Air Conditione Ttk. Where to download Wiring Diagram Trane Air Conditione Ttk online for free? Are you looking for Wiring Diagram Trane Air Conditione Ttk PDF? This is definitely going to save you time and cash in something you should think about.

Find Wiring Diagram Trane Air Conditione Ttk :

[box and whisker kuta](#)

[mercruiser alpha drive owners manual](#)

[safewatch quickconnect plus programming guide](#)

ags united states history student study guide

[50 elpt 4s service manual](#)

[essex county nj laminated flat map](#)

1 069 recetas aca aeoe karlos arguiafaano

[20key stage marking scheme moving house](#)

[blue pelican math semester 2 algebra](#)

[american odyssey answer key chapter 2review](#)

manual repair bmx honda civic diagram

[standard 2015 and 2016 all subject weaihtage](#)

[historic salem in four seasons a camera](#)

[methode dauto hypnose](#)

[ags world history workbook answer](#)

Wiring Diagram Trane Air Conditione Ttk :

résistance des matériaux pdf méthode des éléments finis - Nov 30 2022

web mar 20 2017 résistance des matériaux schaum tome 1 march 20 2017 author anas tijani modar category n a download pdf 11 5mb share embed donate

résistance des matériaux par la pratique tome 1 - Jan 01 2023

web par albiges maurice principal contributeur s coin andré principal 07 d résistance des matériaux tome 2 07 d résistance des matériaux appliquée tome 1 07 d

détails à propos de résistance des matériaux appliquée tome - Oct 30 2022

web achetez le livre résistance des matériaux tome 1 recueil de problèmes aux éditions presses internationales polytechniques de la collection par andré

resistance des materiaux tome 1 cours et de lucien - May 05 2023

web le tome 1 est divise en deux parties la 1ere partie traite des donnees de base fournies par la resistance des materiaux

elle comprend les chapitres suivants 1 distribution des
résistance des matériaux recueil de problèmes volume 1 - Dec 20 2021

résistance des matériaux résistance des matériaux tome 1 fnac - Jul 07 2023

web résistance des matériaux tome 1 seul ecoles d ingénieurs arts et métiers ecole normale supérieure de l enseignement technique chillon p edité par editions dunod

resistance des materiaux schaum tome 1 free download pdf - Sep 28 2022

web resistance des materiaux tome 1 2014477159 sciences appliquées sciences humaines cultura resistance des materiaux tome 1 aux éditions hachette bnf

résistance des matériaux tome1 by andré bazergui - Aug 08 2023

web comparer tout supprimer résistance des matériaux tome 1 résistance des matériaux lucien géminard armand giet erreur perimes dunod des milliers de livres avec

stephen timoshenko résistance des matériaux tome 1 fnac - Feb 02 2023

web timoshenko résistance des matériaux tome 1 l4 l2 y q qα et vaut y 0 197 mm 8 e iz 2 ag avec 3 4 α section rectangulaire α section circulaire 2 3 a aire de la

résistance des matériaux tome 1 broché morin arthur jules - Mar 03 2023

web résistance des matériaux tome 1 résistance des matériaux stephen timoshenko erreur perimes dunod des milliers de livres avec la livraison chez vous en 1 jour

resistance des materiaux appliquee tomes 1 et 2 - Apr 04 2023

web dec 1 2016 résumé voir tout résistance des matériaux tome 1 par arthur morin date de l édition originale 1862 le présent ouvrage s inscrit dans une politique de

resistance des materiaux appliquee tome 1 insa lyon - May 25 2022

web noté 5 achetez résistance des matériaux cours et exercices corrigés bts dut classes préparatoires écoles d ingénieurs by mourad khelifa 2010 05 21 de isbn sur

amazon fr résistance des matériaux tome 1 larralde livres - Sep 09 2023

web noté 5 achetez résistance des matériaux tome 1 de larralde isbn 9782225748448 sur amazon fr des millions de livres livrés chez vous en 1 jour

résistance des matériaux tome 1 recueil de problèmes - Aug 28 2022

web tome 1 par m albiges et a coin livre techniques et sciences appliquées langue français résistance des matériaux appliquée tome 1 par m albiges et a coin pas

[résistance des matériaux tome 1 giet librairie eyrolles](#) - Apr 23 2022

web apr 27 2018 read more donate résistance des matériaux tome 1 authors s p timoshenko size 21 mb 420 pages

toute la resistance des materiaux youde xiong librairie eyrolles - Nov 18 2021

[résistance des matériaux appliquée tome 1 par m albiges](#) - Jun 25 2022

web feb 1 1997 il s adresse aux étudiants des filières relevant du génie mécanique sts iut classes préparatoires écoles d ingénieurs ainsi qu aux professionnels techniciens et

résistance des matériaux tome 1 null broché e leclerc - Jan 21 2022

web un véritable aide mémoire la résistance des matériaux est l étude du comportement des matériaux en traction compression flexion et torsion pour en déterminer les conditions

[résistance des matériaux cours et exercices corrigés bts](#) - Mar 23 2022

web mar 25 2003 le recueil de problèmes tome 1 est un complément au livre résistance des matériaux rédigé par les mêmes auteurs on y présente les solutions complètes

résistance des matériaux tome 1 gcalgerie com - Feb 19 2022

web le recueil de problèmes tome 1 est un complément au livre résistance des matériaux rédigé par les mêmes auteurs on y présente les solutions complètes aux problèmes

[resistance des materiaux tome 1 2014477159 cultura](#) - Jul 27 2022

web livres imprimés 1969 institut technique du bâtiment et des travaux publics serie theories et methodes d 1ere partie theorie elementaire rappels distribution des

74353841 44999727 timoshenko resistance des materiaux tome 1 - Oct 10 2023

web apr 7 2016 74353841 44999727 timoshenko resistance des materiaux tome 1 free download borrow and streaming internet archive

resistance des materiaux 1 abebooks - Jun 06 2023

web feb 1 1997 resistance des materiaux tome 1 cours et exercices 5ème édition lucien géminard armand giet note moyenne donner le premier avis comment

[medizin hinter gittern das stasi haftkrankenhaus download](#) - Feb 25 2022

web prof dr ahmet memduh kaymaz beyin ve sinir cerrahisi anabilim dalı prof dr ahmet murad hondur göz hastalıkları anabilim dalı prof dr ahmet selim yurdakul göğüs

medizin hinter gittern stiftung hsh - Jun 12 2023

web jun 27 2023 this medizin hinter gittern das stasi haftkrankenhaus in berlin hohenschönhausen by tobias voigt peter

erler hubertus p knabe by online medizin
[stasi haftklinik der spiegel](#) - Feb 08 2023

web medizin hinter gittern das stasi haftkrankenhaus in berlin hohenschönhausen saved in bibliographic details main author
voigt tobias contributors erler peter format

medizin hinter gittern das stasi haftkrankenhaus in berlin - Jul 01 2022

web medizin hinter gittern das stasi haftkrankenhaus in berlin hohenschönhausen by tobias voigt peter erler hubertus p
knabe medizin hinter gittern das stasi

medizin hinter gittern das stasi haftkrankenhaus in berlin - Mar 09 2023

web nov 29 2011 die aufgabe der stasi mediziner war es politische gefangene haft und prozessfähig zu machen dass es
zwischen beidem einen entscheidenden unterschied

[medizin hinter gittern das stasi haftkrankenhaus in berlin](#) - Dec 06 2022

web medizin hinter gittern das stasi haftkrankenhaus in einem anfall von depression oct 25 2020 zwischen fahneid und
hippokrates feb 21 2023 wir wissen nicht was

medizin hinter gittern das stasi haftkrankenhaus in berlin - Apr 29 2022

web 2 medizin hinter gittern das stasi haftkrankenhaus 2019 07 02 medizin hinter gittern das stasi haftkrankenhaus
downloaded from qr bonide com by guest norris

medizin hinter gittern das stasi haftkrankenhaus in berlin - May 31 2022

web der blick der stasi medizin hinter gittern das stasi haftkrankenhaus berlin medizin hinter gittern das stasi
haftkrankenhaus in wikizero peter erler tondokumente zur

lesung medizin hinter gittern das stasi - Jan 07 2023

web medizin hinter gittern das stasi haftkrankenhaus in berlin hohenschönhausen saved in bibliographic details main author
voigt tobias contributors erler peter format

medizin hinter gittern das stasi haftkrankenhaus in berlin - Nov 05 2022

web medizin hinter gittern das stasi haftkrankenhaus in berlin hohenschönhausen tob finden sie alle bücher von bei der
büchersuchmaschine eurobuch com können sie

medizin hinter gittern das stasi haftkrankenhaus in berlin - May 11 2023

web get this from a library medizin hinter gittern das stasi haftkrankenhaus in berlin hohenschönhausen tobias voigt peter
erler stiftung gedenkstätte berlin

[medizin hinter gittern das stasi u haftkrankenhaus berlin](#) - Aug 02 2022

web medizin hinter gittern das stasi haftkrankenhaus in berlin hohenschönhausen on amazon com free shipping on qualifying

offers medizin hinter gittern das stasi

bilgi ministry of health - Jan 27 2022

web oğlum can rabia hanım in ellerine doğdu ve doğduğu günden beri hiç bir zaman farklı bir doktora gitmeye ihtiyaç duymadık gerek mükemmel yaklaşımı gerekse her konuda

okan Üniversitesi hastanesi gürcistan da - Sep 22 2021

İstanbul medicine hospital nerede haritası barbaros mh - Oct 24 2021

medizin hinter gittern das stasi haftkrankenhaus in berlin - Apr 10 2023

web haftkrankenhaus berlin medizin hinter gittern das stasi haftkrankenhaus in 139303444 viaf medizin hinter gittern das stasi haftkrankenhaus berlin medizin hinter gittern

medizin hinter gittern das stasi haftkrankenhaus in berlin - Jul 13 2023

web das buch medizin hinter gittern zeichnet das spannungsreiche bild einer heilkunde die im dienst der stasi stand ein wichtiger beitrag zur aufarbeitung der geschichte der ddr

pdf medizin hinter gittern das stasi haftkrankenhaus - Oct 04 2022

web nov 29 2011 medizin hinter gittern das stasi u haftkrankenhaus berlin hohenschönhausen selbst der name war falsch und der hauptgast direktor des instituts

medizin hinter gittern das stasi haftkrankenhaus berlin - Aug 14 2023

web nov 28 2011 28 11 11 typ audio thema repression und haft audiomitschnitt der veranstaltung vom 28 11 2011 mit einer begrüßung von dr anna kaminsky dr

doktorlarımız gazi hastanesi - Dec 26 2021

web semt mahalle olarak barbaros mh ve bağcılar ilçesine bağlıdır İstanbul medicine hospital haritası İstanbul ili içinde nerede olduğu harita merkezinde gösterilmektedir İstanbul

İstanbul cerrahi hastanesi doktorsitesi com - Nov 24 2021

web okan Üniversitesi hastanesi gürcistan ın tflis ve kutaisi şehirlerinde bulunan en önemli 3 hastanesi klinika medicalcity high technology medical center university clinic

medizin hinter gittern das stasi haftkrankenhaus in berlin - Mar 29 2022

web uygulama şu an isteğinize cevap veremiyor geri dön

medizin hinter gittern das stasi haftkrankenhaus in berlin - Sep 03 2022

web jun 4 2023 voigt peter erler medizin hinter gittern das stasi haftkrankenhaus medizin hinter gittern unter diesem titel

erschien jetzt das erste buch über das zentrale

sample home health aide practice test 2012 download only - May 05 2022

web home health aide certification practice test 5 0 module psychological aspects of health meeting your client s level 1 physiological needs includes ensuring

home health aide certification practice test 5 - Apr 04 2022

web them rapidly in the house workplace or perhaps in your method can be every best area within net connections if you objective to download and install the sample home health

home health aide hosa sample questions flashcards quizlet - Feb 02 2022

web jun 6 2023 home health training aide training 2012 sample home health aide practice test pdf sample home health aide practice test sample home

samplehomehealthaidepracticetest copy wikimid2 aapg - Oct 30 2021

sample home health aide practice test 2012 test naf - Jan 01 2022

web home health aide certification practice test 1 0

home health aide hha certification practice test - Jan 13 2023

web practice testsample home health aide practice test internships internship search and intern jobs home health agency updatestate regulation set used by home health

sample home health aide practice test 2012 pdf - Aug 08 2022

web jul 28 2016 home health aide hha practice exam test top app 572 subscribers subscribe 509 82k views 7 years ago link play google com store apps de

sample home health aide practice test 2012 blog theupside - Jun 06 2022

web mar 29 2023 this sample home health aide practice test 2012 as one of the most dynamic sellers here will enormously be along with the best options to review

home health aide hha practice exam test youtube - Jul 07 2022

web sample home health aide practice test 2012 1 sample home health aide practice test 2012 free home health aide practice test 50 questions with home

free hha practice test 50 exam questions and - Aug 20 2023

web mar 8 2023 free hha practice test 50 exam questions and answers home health aide stephanie corrales last update march 8 2023 are you ready to take our free

free hha practice test 50 exam questions and answers - Feb 14 2023

web apr 4 2019 welcome to our most popular home health aide hha certification practice test 50 questions with fully explained answers good luck home health aide hha

[home health aide test free exclusive certificate to](#) - Jul 19 2023

web here is a free home health aide practice test questions and answers that covers all the topics taught in training programs and included in the new 2023 hha exam this is

home health aide practice test - May 17 2023

web c think before answering and respond tactfully d leave the room c think before answering and respond tactfully a client s family tries to tip you 50 for all the work you

[sample home health aide practice test 2012](#) - Mar 03 2022

web which one of the following is a routine responsible of a home health aide a providing respite care for the wife of a client with dementia b picking up a client s prescription at

home health aide practice test flashcards quizlet - Apr 16 2023

web assembled solely as a demonstration these are sample questions taken from home health aide tests actual questions content and format may vary contact your training

sample home health aide practice test 2012 pdf uniport edu - Sep 09 2022

web this sample home health aide practice test 2012 as one of the most in action sellers here will very be among the best options to review sample home health aide practice

hha 2023 practice test 50 questions with answers all - Nov 11 2022

web jun 20 2023 you could purchase guide sample home health aide practice test 2012 or acquire it as soon as feasible you could speedily download this sample home health

[sample home health aide practice test 2012 copy poczta builduk](#) - Dec 12 2022

web welcome to your free hha practice test 50 questions email for results name for certificate start my test instant hha certificate with this free 2023 home health

home health aide practice test 25 questions - Mar 15 2023

web take our free hha practice test that includes 50 final challenges and answers our test was developed to help she pass your hha take in your first try

home health aide certification practice test 1 - Nov 30 2021

web a bank of practice test questions and answers in preparation for the home care aide test ventures level 4 teacher s edition with assessment audio cd cd rom ascencia test

sample home health aide practice test 2012 pdf uniport edu - Oct 10 2022

web guide sample home health aide practice test 2012 as you such as by searching the title publisher or authors of guide you essentially want you can discover them rapidly in the

free home health aide practice test home health - Jun 18 2023

web take our free practice test and explore sample home health aide test questions and answers a great way to prepare for your hha exam