

## 12 GENERAL INFORMATION

ENGINE COVER, RECOIL STARTER, ROTOR, CARBURETOR,  
CRANKSHAFT, CYLINDER, FUEL PUMP

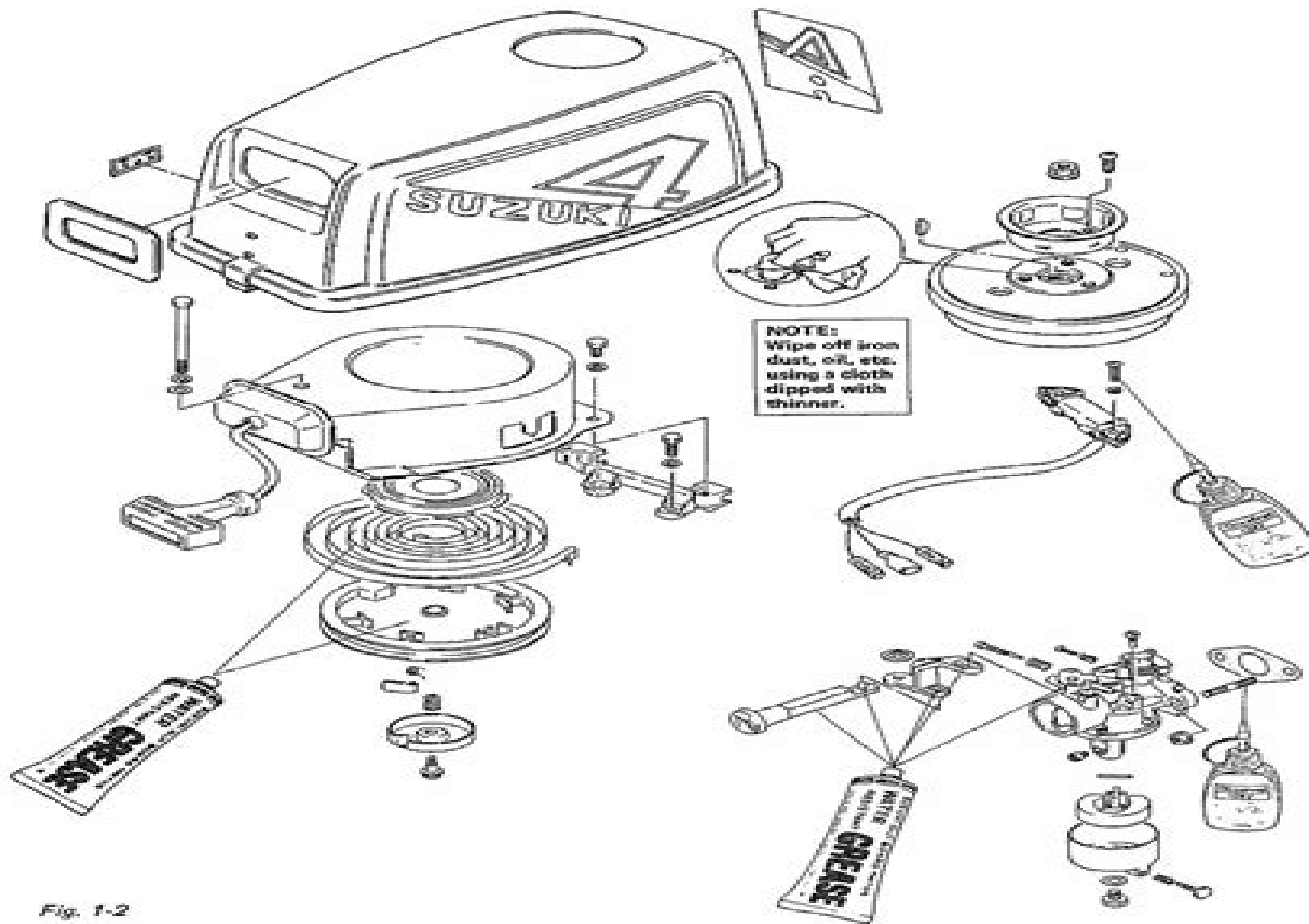


Fig. 1-2

# Suzuki Dt4 Outboard Manual

**Penton Staff**



## **Suzuki Dt4 Outboard Manual:**

*Suzuki Suzuki, Motor Co. Ltd,1977*    **Boating** ,1978-07    *Suzuki Outboard Motor, DT50E ,1977*    **Suzuki**  
**Outboard Motor, DT9.9 ,1977**    *Suzuki Outboard Motor, DT14-16 ,1977*    **Suzuki Outboard Motor DT 50/60/65**  
,1987    **Suzuki Outboard Motor** ,1987    **Suzuki Outboard Motor, DT2** ,1976\*    *Suzuki Outboard Motor, DT7.5-9*  
,1976    *Suzuki 2-140 HP OB 77-1984* Penton Staff,2000-05-24 DT2 DT3 5 DT4 5 DT5 DT6 DT7 5 DT8 DT9 DT9 9 DT15  
DT16 DT20 DT25 DT30 DT40 DT50 50M DT60 DT65 DT75 DT85 DT115 DT140    *Suzuki Outboard Motor ,1980*    **Suzuki**  
**DT25 Service Manual** Suzuki Motor Co,1976    **Suzuki Outboard Motor, DT20-20E [and] DT25-25E ,1977**

**Suzuki Outboard Repair and Maintenance Manual** Pasquale De Marco,2025-04-24 Suzuki outboards are renowned for their reliability performance and durability This comprehensive manual provides the knowledge and skills needed to keep your Suzuki outboard in top condition from routine maintenance and troubleshooting to advanced repairs and modifications With detailed instructions step by step procedures and helpful illustrations this manual covers all aspects of Suzuki outboard care and maintenance including Routine maintenance and care such as changing oil and spark plugs cleaning the fuel system and lubricating moving parts Troubleshooting and diagnostics including identifying common problems using diagnostic tools and interpreting error codes Engine overhaul and repair including disassembling the engine inspecting and replacing components and reassembling the engine Lower unit service and repair including removing and inspecting the lower unit replacing seals and bearings and troubleshooting propeller issues Electrical system maintenance and repair including testing batteries tracing wiring diagrams and repairing electrical components Fuel system maintenance and repair including cleaning fuel lines and filters troubleshooting and repairing fuel injectors and adjusting the fuel mixture Cooling system maintenance and repair including flushing and refilling the cooling system troubleshooting and repairing water pumps and inspecting and replacing thermostats Winterization and storage including preparing your outboard for winter storage draining and preserving the fuel system fogging the engine and cylinders and protecting exterior components Performance tuning and modifications including understanding engine performance factors modifying the air intake system upgrading the exhaust system adjusting the ignition timing and selecting the right propeller Whether you re a DIY enthusiast or a professional mechanic this manual is an essential resource for anyone who wants to keep their Suzuki outboard running smoothly and reliably With clear and easy to understand language this manual provides the knowledge and skills needed to maintain and repair your Suzuki outboard ensuring years of trouble free operation If you like this book write a review on google books    *Suzuki 2-225 HP OB & Jt D85-91* Penton Staff,2000-05-24 DT 2 DT 4 DT 6 DT 8 DT 8 SAIL DT 9 9 DT 9 9 SAIL DT 15 DT 20 DT 25 DT 30 DT 35 DT 40 DT 55 DT 65 DT 75 DT 85 DT 90 DT 100 DT 100 SUPER FOUR DT 115 DT 140 DT 150 DT 150 SUPER SIX DT 175 DT 200 DT 200 EXANTE DT 225    *Suzuki Outboard Shop Manual 9.9-70 HP*  
*Four-Stroke, 1997-2000 ,2001*    *Suzuki: Service Manual* Suzuki Motor Corporation (Hamamatsu),    *Suzuki DT 3.5*

Service Manual ,1979      *Suzuki Service Manual T500-II* Suzuki Motor Co. Ltd,1969      *Suzuki 2-Stroke OB 2-65 hp 92-99*  
Penton Staff,2000-05-24 DT2 DT2 2 DT4 DT5 DT6 DT8 DT9 9 DT15 DT25 DT30 DT40 DT55 DT65 PU40 PU55

Embark on a transformative journey with Written by is captivating work, Discover the Magic in **Suzuki Dt4 Outboard Manual** . This enlightening ebook, available for download in a convenient PDF format Download in PDF: , invites you to explore a world of boundless knowledge. Unleash your intellectual curiosity and discover the power of words as you dive into this riveting creation. Download now and elevate your reading experience to new heights .

[https://about.livewellcolorado.org/results/scholarship/fetch.php/toyota\\_obd\\_ii\\_codes.pdf](https://about.livewellcolorado.org/results/scholarship/fetch.php/toyota_obd_ii_codes.pdf)

## **Table of Contents Suzuki Dt4 Outboard Manual**

1. Understanding the eBook Suzuki Dt4 Outboard Manual
  - The Rise of Digital Reading Suzuki Dt4 Outboard Manual
  - Advantages of eBooks Over Traditional Books
2. Identifying Suzuki Dt4 Outboard Manual
  - Exploring Different Genres
  - Considering Fiction vs. Non-Fiction
  - Determining Your Reading Goals
3. Choosing the Right eBook Platform
  - Popular eBook Platforms
  - Features to Look for in an Suzuki Dt4 Outboard Manual
  - User-Friendly Interface
4. Exploring eBook Recommendations from Suzuki Dt4 Outboard Manual
  - Personalized Recommendations
  - Suzuki Dt4 Outboard Manual User Reviews and Ratings
  - Suzuki Dt4 Outboard Manual and Bestseller Lists
5. Accessing Suzuki Dt4 Outboard Manual Free and Paid eBooks
  - Suzuki Dt4 Outboard Manual Public Domain eBooks
  - Suzuki Dt4 Outboard Manual eBook Subscription Services
  - Suzuki Dt4 Outboard Manual Budget-Friendly Options

6. Navigating Suzuki Dt4 Outboard Manual eBook Formats
  - ePub, PDF, MOBI, and More
  - Suzuki Dt4 Outboard Manual Compatibility with Devices
  - Suzuki Dt4 Outboard Manual Enhanced eBook Features
7. Enhancing Your Reading Experience
  - Adjustable Fonts and Text Sizes of Suzuki Dt4 Outboard Manual
  - Highlighting and Note-Taking Suzuki Dt4 Outboard Manual
  - Interactive Elements Suzuki Dt4 Outboard Manual
8. Staying Engaged with Suzuki Dt4 Outboard Manual
  - Joining Online Reading Communities
  - Participating in Virtual Book Clubs
  - Following Authors and Publishers Suzuki Dt4 Outboard Manual
9. Balancing eBooks and Physical Books Suzuki Dt4 Outboard Manual
  - Benefits of a Digital Library
  - Creating a Diverse Reading Collection Suzuki Dt4 Outboard Manual
10. Overcoming Reading Challenges
  - Dealing with Digital Eye Strain
  - Minimizing Distractions
  - Managing Screen Time
11. Cultivating a Reading Routine Suzuki Dt4 Outboard Manual
  - Setting Reading Goals Suzuki Dt4 Outboard Manual
  - Carving Out Dedicated Reading Time
12. Sourcing Reliable Information of Suzuki Dt4 Outboard Manual
  - Fact-Checking eBook Content of Suzuki Dt4 Outboard Manual
  - Distinguishing Credible Sources
13. Promoting Lifelong Learning
  - Utilizing eBooks for Skill Development
  - Exploring Educational eBooks
14. Embracing eBook Trends
  - Integration of Multimedia Elements

- Interactive and Gamified eBooks

## **Suzuki Dt4 Outboard Manual Introduction**

Free PDF Books and Manuals for Download: Unlocking Knowledge at Your Fingertips In today's fast-paced digital age, obtaining valuable knowledge has become easier than ever. Thanks to the internet, a vast array of books and manuals are now available for free download in PDF format. Whether you are a student, professional, or simply an avid reader, this treasure trove of downloadable resources offers a wealth of information, conveniently accessible anytime, anywhere. The advent of online libraries and platforms dedicated to sharing knowledge has revolutionized the way we consume information. No longer confined to physical libraries or bookstores, readers can now access an extensive collection of digital books and manuals with just a few clicks. These resources, available in PDF, Microsoft Word, and PowerPoint formats, cater to a wide range of interests, including literature, technology, science, history, and much more. One notable platform where you can explore and download free Suzuki Dt4 Outboard Manual PDF books and manuals is the internet's largest free library. Hosted online, this catalog compiles a vast assortment of documents, making it a veritable goldmine of knowledge. With its easy-to-use website interface and customizable PDF generator, this platform offers a user-friendly experience, allowing individuals to effortlessly navigate and access the information they seek. The availability of free PDF books and manuals on this platform demonstrates its commitment to democratizing education and empowering individuals with the tools needed to succeed in their chosen fields. It allows anyone, regardless of their background or financial limitations, to expand their horizons and gain insights from experts in various disciplines. One of the most significant advantages of downloading PDF books and manuals lies in their portability. Unlike physical copies, digital books can be stored and carried on a single device, such as a tablet or smartphone, saving valuable space and weight. This convenience makes it possible for readers to have their entire library at their fingertips, whether they are commuting, traveling, or simply enjoying a lazy afternoon at home. Additionally, digital files are easily searchable, enabling readers to locate specific information within seconds. With a few keystrokes, users can search for keywords, topics, or phrases, making research and finding relevant information a breeze. This efficiency saves time and effort, streamlining the learning process and allowing individuals to focus on extracting the information they need. Furthermore, the availability of free PDF books and manuals fosters a culture of continuous learning. By removing financial barriers, more people can access educational resources and pursue lifelong learning, contributing to personal growth and professional development. This democratization of knowledge promotes intellectual curiosity and empowers individuals to become lifelong learners, promoting progress and innovation in various fields. It is worth noting that while accessing free Suzuki Dt4 Outboard Manual PDF books and manuals is convenient and cost-effective, it is vital to respect copyright laws and intellectual property rights. Platforms offering free downloads often operate within legal boundaries,

ensuring that the materials they provide are either in the public domain or authorized for distribution. By adhering to copyright laws, users can enjoy the benefits of free access to knowledge while supporting the authors and publishers who make these resources available. In conclusion, the availability of Suzuki Dt4 Outboard Manual free PDF books and manuals for download has revolutionized the way we access and consume knowledge. With just a few clicks, individuals can explore a vast collection of resources across different disciplines, all free of charge. This accessibility empowers individuals to become lifelong learners, contributing to personal growth, professional development, and the advancement of society as a whole. So why not unlock a world of knowledge today? Start exploring the vast sea of free PDF books and manuals waiting to be discovered right at your fingertips.

### **FAQs About Suzuki Dt4 Outboard Manual Books**

**What is a Suzuki Dt4 Outboard Manual PDF?** A PDF (Portable Document Format) is a file format developed by Adobe that preserves the layout and formatting of a document, regardless of the software, hardware, or operating system used to view or print it. **How do I create a Suzuki Dt4 Outboard Manual PDF?** There are several ways to create a PDF: Use software like Adobe Acrobat, Microsoft Word, or Google Docs, which often have built-in PDF creation tools. Print to PDF: Many applications and operating systems have a "Print to PDF" option that allows you to save a document as a PDF file instead of printing it on paper. Online converters: There are various online tools that can convert different file types to PDF. **How do I edit a Suzuki Dt4 Outboard Manual PDF?** Editing a PDF can be done with software like Adobe Acrobat, which allows direct editing of text, images, and other elements within the PDF. Some free tools, like PDFescape or Smallpdf, also offer basic editing capabilities. **How do I convert a Suzuki Dt4 Outboard Manual PDF to another file format?** There are multiple ways to convert a PDF to another format: Use online converters like Smallpdf, Zamzar, or Adobe Acrobats export feature to convert PDFs to formats like Word, Excel, JPEG, etc. Software like Adobe Acrobat, Microsoft Word, or other PDF editors may have options to export or save PDFs in different formats. **How do I password-protect a Suzuki Dt4 Outboard Manual PDF?** Most PDF editing software allows you to add password protection. In Adobe Acrobat, for instance, you can go to "File" -> "Properties" -> "Security" to set a password to restrict access or editing capabilities. Are there any free alternatives to Adobe Acrobat for working with PDFs? Yes, there are many free alternatives for working with PDFs, such as: LibreOffice: Offers PDF editing features. PDFsam: Allows splitting, merging, and editing PDFs. Foxit Reader: Provides basic PDF viewing and editing capabilities. How do I compress a PDF file? You can use online tools like Smallpdf, ILovePDF, or desktop software like Adobe Acrobat to compress PDF files without significant quality loss. Compression reduces the file size, making it easier to share and download. Can I fill out forms in a PDF file? Yes, most PDF viewers/editors like Adobe Acrobat,



Preview (on Mac), or various online tools allow you to fill out forms in PDF files by selecting text fields and entering information. Are there any restrictions when working with PDFs? Some PDFs might have restrictions set by their creator, such as password protection, editing restrictions, or print restrictions. Breaking these restrictions might require specific software or tools, which may or may not be legal depending on the circumstances and local laws.

### **Find Suzuki Dt4 Outboard Manual :**

~~toyota obd ii codes~~

[toyota land cruiser relay location](#)

~~toyota repair manual 1989 sr5~~

~~toyota stereo harness diagram~~

[toyota truck wiring harness](#)

*toyota sienna 2011 electrical diagram*

[toyota venza jbl amplifier wiring diagram](#)

### **toyota pocket source guide**

~~toyota landcruiser 80 series manual~~

[toyota tercel 80 wiring diagram](#)

*toyota rav4 bluetooth instructions*

*toyota mr2 manual 1989*

### **toyota land cruiser repair**

*toyota landcruiser 76series transmission workshop manual*

### **toyota vitz manual for sale**

### **Suzuki Dt4 Outboard Manual :**

#### **herunterladen pdf langenscheidt komplett paket spanisch - May 21 2022**

web nov 6 2023 pdf epub langenscheidt komplett paket spanisch sprachkurs mit 2 büchern 7 audio cds mp3 download

software download sprachkurs für einsteiger und fortgeschrittene das komplett paket spanisch für erfolgreiches

sprachenlernen unschlagbar günstig der große selbstlernkurs führt mit buch audio cds und

*amazon com langenscheidt komplett paket spanisch sprachkurs - Sep 24 2022*

web jun 10 2016 amazon com langenscheidt komplett paket spanisch sprachkurs mit 2 büchern 7 audio cds 1 dvd rom mp3

download sprachkurs für einsteiger und fortgeschrittene 9783468268496 books

**langenscheidt komplett paket spanisch kaufland de** - Oct 26 2022

web medien software sprachsoftware langenscheidt komplett paket spanisch noch keine bewertung 24 95 zzgl 1 95 versand mo 24 di 25 april versand aus deutschland verkauf durch preigu gewerblicher verkäufer agb impressum widerruf datenschutz in den warenkorb alle preise inkl mwst aufklärung gemäß verpackungsgesetz

**langenscheidt komplett paket spanisch sprachkurs zum spanisch** - Jun 02 2023

web langenscheidt komplett paket spanisch sprachkurs zum spanisch lernen für anfänger und wiedereinsteiger mit 2 büchern 7 cds download und vokabeltrainer app isbn 9783125635159 kostenloser versand für

langenscheidt komplett paket spanisch sprachkurs mit 2 - Apr 19 2022

web langenscheidt komplett paket spanisch sprachkurs mit 2 büchern 7 audio cds 1 dvd rom mp3 download optischer zustand preise sind endpreise zzgl versandkosten wie neu nicht verfügbar sehr gut 0 50 gut sichtbare gebrauchsspuren auf einzelnen seiten

langenscheidt komplett paket spanisch amazon de - Jul 03 2023

web langenscheidt komplett paket spanisch 3 bücher mit 9 cds der sprachkurs für einsteiger und fortgeschrittene isbn 9783468268489 kostenloser versand für alle bücher mit versand und verkauf duch amazon

*langenscheidt komplett paket spanisch sprachkurs mit 2* - Aug 04 2023

web langenscheidt komplett paket spanisch sprachkurs mit 2 büchern 7 audio cds 1 dvd rom mp3 download sprachkurs für einsteiger und fortgeschrittene langenscheidt redaktion isbn 9783468268496 kostenloser versand für alle bücher mit versand und verkauf duch amazon

**langenscheidt komplett paket spanisch der große sprachkurs** - Feb 27 2023

web langenscheidt komplett paket spanisch der große sprachkurs für anfänger und wiedereinsteiger mit cds mp3 download und vokabeltrainer app isbn 10 3125635152 isbn 13 9783125635159 langenscheidt bei pons 2022 softcover

langenscheidt komplett paket spanisch bücher de - Mar 31 2023

web 24 95 inkl mwst versandkostenfrei kostenloser rückversand sofort lieferbar in den warenkorb 0 p sammeln

langenscheidt komplett paket spanisch der große sprachkurs für anfänger und wiedereinsteiger mit cds mp3 download und vokabeltrainer app broschiertes buch jetzt bewerten auf die merkliste bewerten

pdf langenscheidt komplett paket spanisch sprachkurs mit - Mar 19 2022

web sunday december 2 2018 pdf langenscheidt komplett paket spanisch sprachkurs mit 2 büchern 7 audio cds 1 dvd rom mp3 download sprachkurs für einsteiger und fortgeschrittene kostenlos download das komplett paket spanisch für erfolgreiches sprachenlernen unschlagbar günstig

[10 top langenscheidt komplett paket spanisch sprachkurs in](#) - Aug 24 2022

web sep 10 2023 10 besten langenscheidt komplett paket spanisch sprachkurs in deutschland unsere rankings werden geschickt aus der algorithmischen analyse von tausenden von kundenbewertungen zu produkten marken dem kundenservice der händler beliebheitstrends und vielem mehr zusammengestellt

**langenscheidt komplett paket spanisch sprachkurs** - Sep 05 2023

web das komplett paket spanisch für erfolgreiches sprachenlernen unschlagbar günstig der große selbstlernkurs führt mit buch audio cds und vokabeltrainer spielend leicht zum erfolg unterhaltsames und effektives lernen in kleinen schritten mit *spanisch lernen spanisch auffrischen langenscheidt* - Dec 28 2022

web Übertroffen wir das nur von unserem beliebtesten spanischkurs dem komplett paket spanisch spanisch grammatik ob umfangreiche komplettgrammatik unsere kompakten smarten fächerkarten oder lieber kurz und schmerzlos spanische grammatik gibt es bei uns immer abgestimmt auf das entsprechende lernbedürfnis

[langenscheidt komplett paket spanisch sprachkurs](#) - Oct 06 2023

web das komplett paket spanisch alles drin für ihren erfolg mit 2 büchern 7 cds mp3 download und vokabeltrainer app sie wollten schon immer spanisch lernen oder ihre spanischkenntnisse wieder auffrischen sie wollen zeitgemäß und abwechslungsreich lernen dann ist dieser spanisch sprachkurs genau das richtige für sie

*langenscheidt komplett paket spanisch sprachkurs* - Feb 15 2022

web langenscheidt komplett paket spanisch sprachkurs für einsteiger und fortgeschrittene das komplett paket spanisch für erfolgreiches sprachenlernen unschlagbar günstig der große selbstlernkurs führt mit buch audio cds und vokabeltrainer spielend leicht zum erfolg

**langenscheidt komplett paket spanisch sprachkurs mit 2** - May 01 2023

web langenscheidt komplett paket spanisch sprachkurs mit 2 büchern 7 audio cds mp3 download software download sprachkurs für einsteiger und fortgeschrittene isbn 9783125633261 kostenloser versand für

[langenscheidt komplett paket spanisch sprachkurs mit von](#) - Nov 26 2022

web leicht verständlich abwechslungsreich effektiv mit dem langenscheidt komplett paket spanisch deutsch lernen sie spanisch von grund auf und mit der bewährten sprachen kompetenz von langenscheidt hablar espanol für einsteiger der kurs richtet sich an anfänger und fortgeschrittene und umfasst das niveau a1 b1

**komplett paket spanisch sprachkurs mit 2 ab 5 50** - Jul 23 2022

web 90 langenscheidt redaktion komplett paket spanisch sprachkurs mit 2 büchern 7 audio cds 1 dvd rom mp3 download sprachkurs für einsteiger und fortgeschrittene isbn 9783125631175 2016 in deutsch broschiert nur diese ausgabe anzeigen

[langenscheidt komplett paket spanisch sprachkurs 2023](#) - Jun 21 2022

web paket spanisch sprachkurs mit 2 büchern 7 audio cds 1 dvd rom mp3 download may 21 2023 einfach sprachen lernen  
apr 27 2021 short stories in spanish for beginners aug 12 2022

[langenscheidt komplett paket spanisch thalia](#) - Jan 29 2023

web langenscheidt komplett paket spanisch der große sprachkurs für anfänger und wiedereinsteiger mit cds mp3 download  
und vokabeltrainer app schulbuch taschenbuch 24 95 inkl gesetzl mwst versandkostenfrei 3 artikel liefern lassen sofort  
lieferbar in den warenkorb click collect verfügbarkeit in ihrer buchhandlung

**online buick park avenue repair manual do it yourself** - Feb 14 2023

web only alldata diy provides instant online access to the complete buick park avenue factory service manual with  
manufacturer specifications diagrams step by step procedures oem part numbers technical service bulletins tsb factory  
recalls component locations and diagnostic codes all in one affordable package

**2002 buick park avenue owner s and service manuals car manuals** - May 05 2022

web 395 pages buick park avenue 2002 owner s manuals and service manuals for online browsing and download view buick  
park avenue manuals online for free carmanualsonline info is the largest free online database of buick owner s manuals and  
buick service manuals

**2000 buick park avenue owner s and service manuals car manuals** - Sep 09 2022

web buick park avenue 2000 owner s manuals and service manuals for online browsing and download view buick park  
avenue manuals online for free carmanualsonline info is the largest free online database of buick owner s manuals and buick  
service manuals

**buick park avenue service repair manuals on motor era** - Jul 19 2023

web motor era offers service repair manuals for your buick park avenue download your manual now buick park avenue  
service repair manuals complete list of buick park avenue auto service repair manuals 1992 buick park avenue service repair  
manual software 1992 buick park avenue service and repair manual

[buick park avenue owner s and service manuals online](#) - Sep 21 2023

web buick park avenue owner s manuals and service manuals for online browsing and download search through 887 buick  
manuals online for free carmanualsonline info is the largest free online database of buick user manuals

[buick park avenue service repair manual buick park avenue](#) - May 17 2023

web you fix cars has auto service repair manuals for your buick park avenue download your manual now buick park avenue  
service repair manuals complete list of buick park avenue auto service repair manuals 1992 buick park avenue service repair  
manual software 1992 buick park avenue service and repair manual

**service repair manuals for buick park avenue for sale ebay** - Dec 12 2022

web get the best deals on service repair manuals for buick park avenue when you shop the largest online selection at ebay com free shipping on many items browse your favorite brands affordable prices

**buick park avenue free workshop and repair manuals** - Oct 22 2023

web buick park avenue workshop repair and owners manuals for all years and models free pdf download for thousands of cars and trucks

gm buick park avenue page 1 factory repair manuals - Jan 13 2023

web 2003 buick park avenue factory service manuals full coverage for the park avenue base park avenue ultra 2 volume set published by the general motors corporation covering specifications maintenance diagnostics and testing in vehicle

**buick 2005 park avenue automobile owner s manual manualslib** - Apr 04 2022

web 2005 buick park avenue owner manual seats and restraint systems 1 1 front seats 1 2 safety belts 1 6 child restraints 1 27 airbag system 1 49 restraint system check 1 57 features and controls 2 1 keys 2 3 doors and locks

**manuals and guides vehicle support buick** - Aug 20 2023

web manuals and other helpful guides for your vehicle view online or if available order printed copies for an additional fee explore buick vehicle s owner manuals and guides to help guide you with understanding your vehicle

**buick parkavenue 1997 manual pdf download manualslib** - Oct 10 2022

web view and download buick parkavenue 1997 manual online parkavenue 1997 automobile pdf manual download also for park avenue 1997 1997 park avenue

buick park avenue service repair manual pdf just give me the damn manual - Mar 15 2023

web 2000 buick park avenue service repair manual software download now 2002 buick park avenue service repair manual software download now 2003 buick park avenue owners manual download now buick park avenue 1997 2005 service repair workshop manual download pdf download now

**buick park avenue 1997 2005 service repair manual car fsm** - Jun 06 2022

web complete 1997 2005 buick park avenue service restore guide it s your primary supply for restore and repair info they are particularly written for the do it yourselfer in addition to the skilled mechanic dwnload service repair manual for buick park avenue 1997 1998 1999 2000 2001 2002 2003 2004 2005

**buick park avenue service and repair manuals tmb bookshop** - Nov 11 2022

web nov 14 2023 overview buick park avenue service and repair manuals a service manual for your buick park avenue explore here workshop manuals for maintenance and repair of these buick cars they provide detailed instructions to solve technical problems yourself and to repair or replace parts

buick parkavenue 1996 manual pdf download manualslib - Apr 16 2023

web view and download buick parkavenue 1996 manual online parkavenue 1996 automobile pdf manual download also for 1996 park avenue

*buick park avenue owners manuals 2005 1998 ownersman* - Mar 03 2022

web the manuals are free to download and are available in pdf format is is recommended to check the owners manual corresponding to the correct year of your buick park avenue to solve the problems or to get insights about the car buick park avenue competitors toyota avalon lexus es 300h buick lacrosse infiniti q50 cadillac xts manuals by year

**buick park avenue service repair workshop manuals** - Aug 08 2022

web our park avenue buick workshop manuals contain in depth maintenance service and repair information get your emanual now

**buick park avenue repair service manuals 1 pdf** - Jun 18 2023

web updated august 23 we have 1 buick park avenue manuals in the table below you can see 0 park avenue workshop manuals 0 park avenue owners manuals and 1 miscellaneous buick park avenue downloads our most popular manual is the thm 4t65 e automatic transmission repair manual

*buick workshop repair owners manuals 100 free* - Jul 07 2022

web buick service and repair manuals how to find your buick workshop or owners manual we have 862 free pdf s spread across 16 buick vehicles to narrow down your search please use the dropdown box above or select from one of

[le guide de la pua c ricultrice prendre soin de l pdf](#) - Jun 19 2023

web le guide de la pua c ricultrice prendre soin de l pdf is user friendly in our digital library an online access to it is set as public appropriately you can download it instantly our digital library saves in multiple countries allowing you to get the most less latency period to download any of our books once this one merely said the le guide

**le guide de la pua c ricultrice prendre soin de l copy** - Jun 07 2022

web le guide de la pua c ricultrice prendre soin de l 3 3 leurs correspondants ils ajoutent avec ce livre un monument de plus à l impressionnante liste des monuments napoléoniens thierry lentz directeur de la fondation napoléon religions de l antiquité considérées principalement dans leurs formes symboliques et mythologiques nelles verlag

**mots en pua mots avec** - Apr 05 2022

web mots avec est un moteur de recherche de mots correspondant à des contraintes présence ou absence de certaines lettres commencement ou terminaison nombre de lettres ou lettres à des positions précises il peut être utile pour tous les jeux de mots création ou solution de mots croisés mots fléchés pendu le mot le plus long des chiffres et des

*le guide de la pua c ricultrice prendre soin de l copy* - Feb 15 2023

web ce livre est une invitation à prendre soin de soi en pleine conscience grâce à la magie des rituels et des pratiques

spirituelles dans cet ouvrage vous découvrirez comment intégrer les rituels à votre vie

[recette de pua a chou journal des femmes cuisiner](#) - Mar 04 2022

web préparation 1 rissoler la viande taillée en petits dés dans l huile ajouter l oignon émincé le gingembre râpé et la gousse d ail écrasée saler et poivrer couvrir et laisser cuire 10 minutes 2 nettoyer tout les légumes éplucher les carottes et les tailler en tronçons couper le morceau de chou en lamelles et le navet

**le guide de la pua c ricultrice prendre soin de l 2022 api** - Jan 02 2022

web le guide de la pua c ricultrice prendre soin de l 1 le guide de la pua c ricultrice prendre soin de l as recognized adventure as skillfully as experience approximately lesson amusement as capably as deal can be gotten by just l essentiel des façons de dire dans les trois registres de langue standard soutenu familier 75 dialogues

[le guide de la puéricultrice prendre soin de l enfant de la](#) - Nov 12 2022

web le guide de la puéricultrice prendre soin de l enfant de la naissance à rp6 ebook le guide de la pu ricultrice french edition tre infirmire puricultrice qui ment pourquoi le guide de la puricultrice prendre soin de l enfant de contacts du kinsithrapeute coralie dalla nora 73100 concours puricultrice cadre de sant de la

**le guide de la pua c ricultrice prendre soin de l** - Apr 17 2023

web numerous times for their chosen books like this le guide de la pua c ricultrice prendre soin de l but end up in infectious downloads rather than reading a good book with a cup of tea in the afternoon instead they juggled with some malicious bugs inside their desktop computer le guide de la pua c ricultrice prendre soin de l is available in

**le guide de la puéricultrice prendre soin de l enfant de la** - May 18 2023

web april 27th 2020 elle vise à intégrer les prescriptions délivrées à l hôpital dans le dp dans le cadre d un renforcement des collaborations entre la ville et l hôpital elle fera l objet d un bilan au bout de 9 mois les objectifs du dp la prise de médicaments prescrits ou non n est pas anodine contacts du kinsithrapeute coralie dalla

**le guide de la pua c ricultrice prendre soin de l pdf** - Mar 16 2023

web may 19 2023 le guide de la pua c ricultrice prendre soin de l 2 7 downloaded from uniport edu ng on may 19 2023 by guest standards 2019 is a revised and comprehensive resource that includes the information needed to interpret and apply the most recent international financial reporting standards ifrs as outlined by

**le guide de la pua c ricultrice prendre soin de l pdf pdf** - Aug 09 2022

web jul 5 2023 le guide de la pua c ricultrice prendre soin de l pdf if you ally habit such a referred le guide de la pua c ricultrice prendre soin de l pdf books that will give you worth acquire the no question best seller from us currently from several preferred authors if you want to funny

[le guide de la pua c ricultrice prendre soin de l download](#) - Jul 08 2022

web it is your no question own era to appear in reviewing habit along with guides you could enjoy now is le guide de la pua c ricultrice prendre soin de l below le guide de la pua c ricultrice prendre soin de l 2021 10 11 conrad mcMahon dictionnaire universel des sciences morale économique politique et diplomatique

**le guide de la pua c ricultrice prendre soin de l pdf pdf** - Sep 10 2022

web may 13 2023 le guide de la pua c ricultrice prendre soin de l pdf when somebody should go to the books stores search establishment by shop shelf by shelf it is truly problematic this is why we give the book compilations in this website it will entirely ease you to look guide le guide de la pua c ricultrice prendre soin de l pdf as you

**le guide de la puéricultrice livre 9782294767944 elsevier** - Aug 21 2023

web détails axé sur les spécificités et les compétences de l infirmière puéricultrice le guide de la puéricultrice présente de manière exhaustive les connaissances et les techniques liées à la prise en charge du nouveau né de l enfant et de l adolescent en milieu hospitalier comme en famille ou en collectivité

*le mot pua est valide au scrabble 1 mot net* - May 06 2022

web 3 courts extraits du wikwik org wikwik est une base de données en ligne des mots définis sur les wiktionnaires français anglais espagnol italien etc pua v troisième personne du singulier du passé simple de puer pua sym linguistique codes iso 639 3 du purépecha des hauts plateaux de l ouest en espagnol pua s gastronomía

**le guide de la puéricultrice prendre soin de l enfant de la** - Jul 20 2023

web le guide de la puéricultrice prendre soin de l enfant de la naissance à l adolescence by sébastien colson jacqueline gassier pour les professionnels propose un texte clair et illustré encadrés schémas tableaux etc structuré en 8 grandes parties et 49 chapitres rédigés par plus d une centaine d auteurs de renom

**le guide de la pua c ricultrice prendre soin de l download** - Oct 11 2022

web le guide de la pua c ricultrice prendre soin de l 1 ce que veut dire être féministe à l ère de la 4g de beyoncé et du mouvement free the nipple entre concepts toujours d actualité nouveaux enjeux apports de la pop culture expressions populaires et vocabulaire d initié e s alors dites des

le guide de la pua c ricultrice prendre soin de l pdf pdf - Dec 13 2022

web mar 18 2023 le guide de la pua c ricultrice prendre soin de l pdf right here we have countless ebook le guide de la pua c ricultrice prendre soin de l pdf and collections to check out we additionally give variant types and next type of the books to browse the adequate book fiction history

**qu est ce qu un pua pup wisecleaner** - Feb 03 2022

web feb 2 2018 qu est ce que pua pua est l abréviation de potentially unwanted applications applications potentiellement indésirables il est également appelé pup potentially unwanted programs programmes potentiellement indésirables vous



pouvez consulter cette page pour savoir comment utiliser le défenseur windows 10 pour

**le guide de la puacricultrice prendre soin de l pdf copy** - Jan 14 2023

web le guide des accoucheurs ou le maistre dans l art d accoucher les femmes et de les soulager dans les maladies accidens dont elles sont tres souvent attaquees ouvrage des plus utiles pour les personnes qui veulent faire une pratique particuliere de l operation des accouchemens le tout en forme d examen