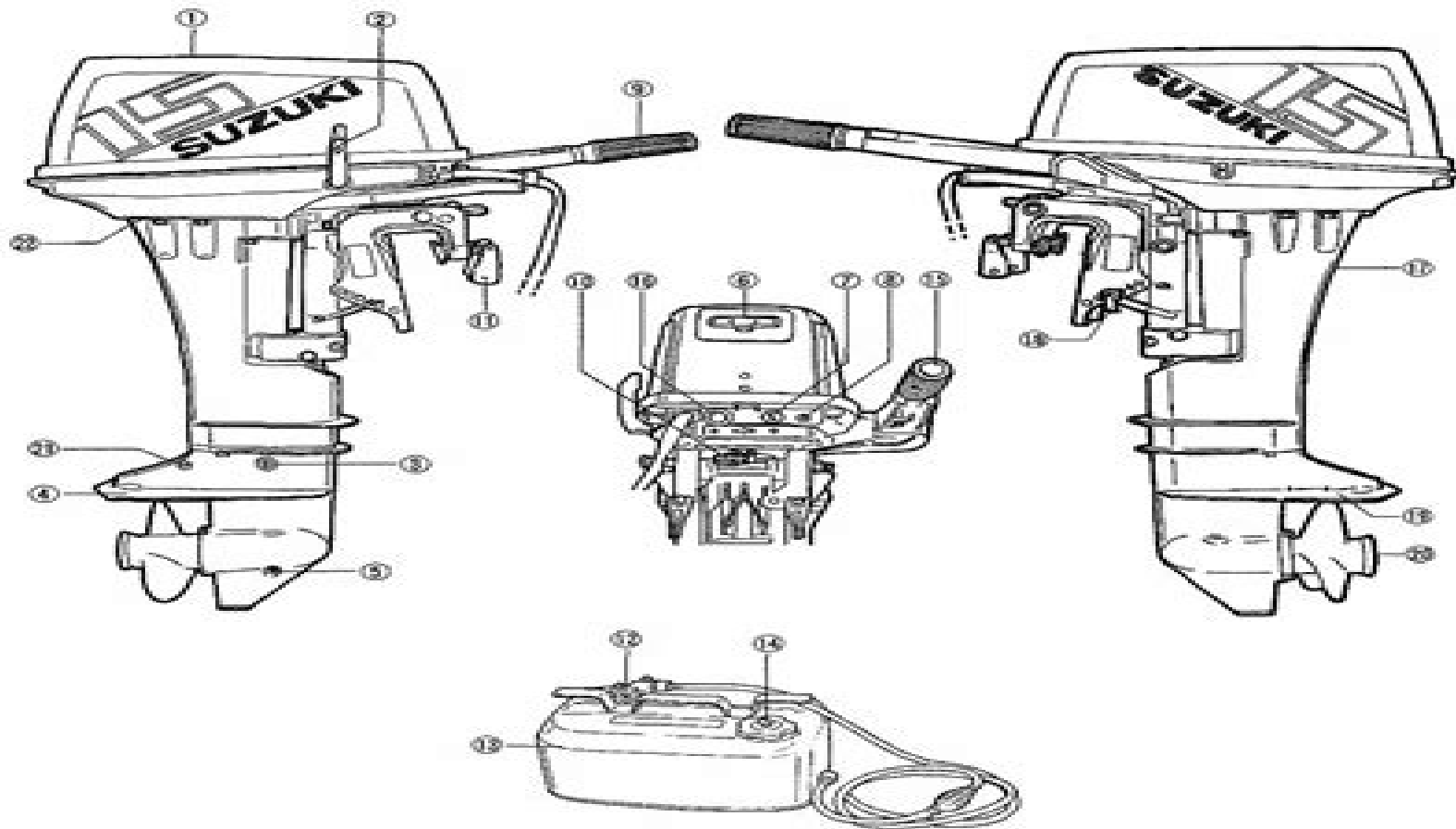


NOMENCLATURE



- ① Engine cover
- ② Clutch lever
- ③ Oil filler plug
- ④ Anti-cavitation plate
- ⑤ Oil drain plug
- ⑥ Starter grip
- ⑦ Choke knob
- ⑧ Fuel connector plug

- ⑨ Throttle control grip
- ⑩ Tilt release lever
- ⑪ Clamp screw
- ⑫ Fuel gauge
- ⑬ Fuel tank
- ⑭ Air-vent screw
- ⑮ Engine stop switch
- ⑯ Starter button
(Only for DT9.9E/DT15E)

- ⑰ Water outlet
- ⑱ Tilt pin
- ⑲ Water inlet
- ⑳ Exhaust outlet
- ㉑ Flush plug
- ㉒ Pilot water hole

Suzuki Dt 16 Outboard Repair Manual

Michael Brown



Suzuki Dt 16 Outboard Repair Manual:

Delve into the emotional tapestry woven by Crafted by in **Suzuki Dt 16 Outboard Repair Manual** . This ebook, available for download in a PDF format (Download in PDF: *), is more than just words on a page; it's a journey of connection and profound emotion. Immerse yourself in narratives that tug at your heartstrings. Download now to experience the pulse of each page and let your emotions run wild.

https://about.livewellcolorado.org/book/virtual-library/Documents/winter_pimms_cocktail_recipe.pdf

Table of Contents Suzuki Dt 16 Outboard Repair Manual

1. Understanding the eBook Suzuki Dt 16 Outboard Repair Manual
 - The Rise of Digital Reading Suzuki Dt 16 Outboard Repair Manual
 - Advantages of eBooks Over Traditional Books
2. Identifying Suzuki Dt 16 Outboard Repair Manual
 - Exploring Different Genres
 - Considering Fiction vs. Non-Fiction
 - Determining Your Reading Goals
3. Choosing the Right eBook Platform
 - Popular eBook Platforms
 - Features to Look for in an Suzuki Dt 16 Outboard Repair Manual
 - User-Friendly Interface
4. Exploring eBook Recommendations from Suzuki Dt 16 Outboard Repair Manual
 - Personalized Recommendations
 - Suzuki Dt 16 Outboard Repair Manual User Reviews and Ratings
 - Suzuki Dt 16 Outboard Repair Manual and Bestseller Lists
5. Accessing Suzuki Dt 16 Outboard Repair Manual Free and Paid eBooks
 - Suzuki Dt 16 Outboard Repair Manual Public Domain eBooks
 - Suzuki Dt 16 Outboard Repair Manual eBook Subscription Services
 - Suzuki Dt 16 Outboard Repair Manual Budget-Friendly Options

6. Navigating Suzuki Dt 16 Outboard Repair Manual eBook Formats
 - ePub, PDF, MOBI, and More
 - Suzuki Dt 16 Outboard Repair Manual Compatibility with Devices
 - Suzuki Dt 16 Outboard Repair Manual Enhanced eBook Features
7. Enhancing Your Reading Experience
 - Adjustable Fonts and Text Sizes of Suzuki Dt 16 Outboard Repair Manual
 - Highlighting and Note-Taking Suzuki Dt 16 Outboard Repair Manual
 - Interactive Elements Suzuki Dt 16 Outboard Repair Manual
8. Staying Engaged with Suzuki Dt 16 Outboard Repair Manual
 - Joining Online Reading Communities
 - Participating in Virtual Book Clubs
 - Following Authors and Publishers Suzuki Dt 16 Outboard Repair Manual
9. Balancing eBooks and Physical Books Suzuki Dt 16 Outboard Repair Manual
 - Benefits of a Digital Library
 - Creating a Diverse Reading Collection Suzuki Dt 16 Outboard Repair Manual
10. Overcoming Reading Challenges
 - Dealing with Digital Eye Strain
 - Minimizing Distractions
 - Managing Screen Time
11. Cultivating a Reading Routine Suzuki Dt 16 Outboard Repair Manual
 - Setting Reading Goals Suzuki Dt 16 Outboard Repair Manual
 - Carving Out Dedicated Reading Time
12. Sourcing Reliable Information of Suzuki Dt 16 Outboard Repair Manual
 - Fact-Checking eBook Content of Suzuki Dt 16 Outboard Repair Manual
 - Distinguishing Credible Sources
13. Promoting Lifelong Learning
 - Utilizing eBooks for Skill Development
 - Exploring Educational eBooks
14. Embracing eBook Trends
 - Integration of Multimedia Elements

- Interactive and Gamified eBooks

Suzuki Dt 16 Outboard Repair Manual Introduction

Free PDF Books and Manuals for Download: Unlocking Knowledge at Your Fingertips In today's fast-paced digital age, obtaining valuable knowledge has become easier than ever. Thanks to the internet, a vast array of books and manuals are now available for free download in PDF format. Whether you are a student, professional, or simply an avid reader, this treasure trove of downloadable resources offers a wealth of information, conveniently accessible anytime, anywhere. The advent of online libraries and platforms dedicated to sharing knowledge has revolutionized the way we consume information. No longer confined to physical libraries or bookstores, readers can now access an extensive collection of digital books and manuals with just a few clicks. These resources, available in PDF, Microsoft Word, and PowerPoint formats, cater to a wide range of interests, including literature, technology, science, history, and much more. One notable platform where you can explore and download free Suzuki Dt 16 Outboard Repair Manual PDF books and manuals is the internet's largest free library. Hosted online, this catalog compiles a vast assortment of documents, making it a veritable goldmine of knowledge. With its easy-to-use website interface and customizable PDF generator, this platform offers a user-friendly experience, allowing individuals to effortlessly navigate and access the information they seek. The availability of free PDF books and manuals on this platform demonstrates its commitment to democratizing education and empowering individuals with the tools needed to succeed in their chosen fields. It allows anyone, regardless of their background or financial limitations, to expand their horizons and gain insights from experts in various disciplines. One of the most significant advantages of downloading PDF books and manuals lies in their portability. Unlike physical copies, digital books can be stored and carried on a single device, such as a tablet or smartphone, saving valuable space and weight. This convenience makes it possible for readers to have their entire library at their fingertips, whether they are commuting, traveling, or simply enjoying a lazy afternoon at home. Additionally, digital files are easily searchable, enabling readers to locate specific information within seconds. With a few keystrokes, users can search for keywords, topics, or phrases, making research and finding relevant information a breeze. This efficiency saves time and effort, streamlining the learning process and allowing individuals to focus on extracting the information they need. Furthermore, the availability of free PDF books and manuals fosters a culture of continuous learning. By removing financial barriers, more people can access educational resources and pursue lifelong learning, contributing to personal growth and professional development. This democratization of knowledge promotes intellectual curiosity and empowers individuals to become lifelong learners, promoting progress and innovation in various fields. It is worth noting that while accessing free Suzuki Dt 16 Outboard Repair Manual PDF books and manuals is convenient and cost-effective, it is vital to respect copyright laws and intellectual property rights. Platforms offering free

downloads often operate within legal boundaries, ensuring that the materials they provide are either in the public domain or authorized for distribution. By adhering to copyright laws, users can enjoy the benefits of free access to knowledge while supporting the authors and publishers who make these resources available. In conclusion, the availability of Suzuki Dt 16 Outboard Repair Manual free PDF books and manuals for download has revolutionized the way we access and consume knowledge. With just a few clicks, individuals can explore a vast collection of resources across different disciplines, all free of charge. This accessibility empowers individuals to become lifelong learners, contributing to personal growth, professional development, and the advancement of society as a whole. So why not unlock a world of knowledge today? Start exploring the vast sea of free PDF books and manuals waiting to be discovered right at your fingertips.

FAQs About Suzuki Dt 16 Outboard Repair Manual Books

How do I know which eBook platform is the best for me? Finding the best eBook platform depends on your reading preferences and device compatibility. Research different platforms, read user reviews, and explore their features before making a choice. Are free eBooks of good quality? Yes, many reputable platforms offer high-quality free eBooks, including classics and public domain works. However, make sure to verify the source to ensure the eBook credibility. Can I read eBooks without an eReader? Absolutely! Most eBook platforms offer web-based readers or mobile apps that allow you to read eBooks on your computer, tablet, or smartphone. How do I avoid digital eye strain while reading eBooks? To prevent digital eye strain, take regular breaks, adjust the font size and background color, and ensure proper lighting while reading eBooks. What the advantage of interactive eBooks? Interactive eBooks incorporate multimedia elements, quizzes, and activities, enhancing the reader engagement and providing a more immersive learning experience. Suzuki Dt 16 Outboard Repair Manual is one of the best book in our library for free trial. We provide copy of Suzuki Dt 16 Outboard Repair Manual in digital format, so the resources that you find are reliable. There are also many Ebooks of related with Suzuki Dt 16 Outboard Repair Manual. Where to download Suzuki Dt 16 Outboard Repair Manual online for free? Are you looking for Suzuki Dt 16 Outboard Repair Manual PDF? This is definitely going to save you time and cash in something you should think about.

Find Suzuki Dt 16 Outboard Repair Manual :

winter pimms cocktail recipe

winterkill french edition

winnipeg transit test questions

~~winchester model 9422m manual~~

wiring diagram 1996 ford l8000

win how to succeed in the new game of business

wiring diagram 251 jeep wrangler

window motor bmw 325i

~~wireless communications and networking solution manual~~

wings of tavea solus 2 devri walls

windows 7 help manual

wire diagram for pontiac transport lights

windows configuration book answers chapter 3

wiring diagram 2002 chevy truck

windows 7 configuration lesson 6 knowledge assessment

Suzuki Dt 16 Outboard Repair Manual :

Biologia E Genetica De Leo Pdf Free - plasanivir - DiaryNote Feb 6, 2018 —

Title:.....Read....Unlimited....Books....Online....Biologia....A....Genetica....De....Leo....Fasano....Pdf....Book....Keywords:....Get....f
ree ... S. Fasano - E. Ginelli, Libri di BIOLOGIA, 9788836230013 Biologia e Genetica , G. De Leo - S. Fasano - E. Ginelli,
EDISES, Libri testi BIOLOGIA. Biologia e genetica. Con e-book. Con software di ... Biologia e genetica. Con e-book. Con
software di simulazione : De Leo, Giacomo, Ginelli, Enrico, Fasano, Silvia: Amazon.it: Libri. Answers to all your questions
about the Kindle Unlimited ... With Kindle Unlimited, millions of digital books, audiobooks, comics, and magazines are a few
taps away. Learn how this popular Amazon subscription works. Biologia e Genetica (versione digitale ed estensioni online ...
Autore: De Leo - Fasano - Ginelli, Categoria: Libri, Prezzo: € 51,21, Lunghezza: 618 pagine, Editore: Edises, Titolo: Biologia e
Genetica (versione ... If you can't keep Kindle unlimited books forever, what's the ... I just got a Kindle and from my
research, you can read lots of books for free with a Kindle unlimited subscription but they're still ... De leo ginelli fasano
biologia e genetica edises pdf De leo ginelli fasano biologia e genetica edises pdf. Rating: 4.8 / 5 (3931 votes) Downloads:
61102 >>>CLICK HERE TO DOWNLOAD<<< Open a file in acrobat. Free reading Manual handling for nurses vic [PDF] ?
resp.app Dec 15, 2023 — Free reading Manual handling for nurses vic [PDF] join one of the largest online communities of
nurses to connect with your peers organize ... Manual Handling Training For Healthcare Workers As per the Department Of
Education Victoria, manual handling has not legally mandated “safe” weight restriction. Every person has unique physical
capabilities ... Healthcare and hospitals: Safety basics See 'hazardous manual handling' for detailed information. Health and

safety in health care and hospitals. Extension of Nurse Back Injury Prevention Programs The traditional approach to minimising the risk of injury to nurses due to patient handling has been to teach nurses 'safe manual lifting techniques'. There is. Manual handling activities and injuries among nurses by A Retsas · 2000 · Cited by 219 — When all full-time nurses working at the medical centre are considered, the prevalence of all manual handling injuries was 20.6% (n=108) and 15.7% (n=87) for ... Manual handling 101 - WorkSafe Victoria - YouTube Manual Handling Training - There's a better way - YouTube Manual Handling - eHCA MANUAL HANDLING is defined as any activity that requires an individual to exert a force to push, pull, lift, carry, lower, restrain any person, ... HSR Representative training and programs Nurses, midwives and personal care workers working in health and other industries are exposed to many hazards including manual handling, violence and aggression ... McGraw Hill LINKS 101 102 - Spanish 102 -To Access the... From the drop-down menu, go to the chapter that you are working on, then scroll to the bottom and click on Laboratory Audio Program under More Resources. Note: ... Spanish 102 Chapter 5 -McGraw Hill Flashcards Study with Quizlet and memorize flashcards containing terms like El Barrio, La calle, La casa and more. Spanish | McGraw Hill Higher Education Course management, reporting, and student learning tools backed by great support. Connect® Master Online Learning Without Compromise. McGraw ... McGraw Hill Spanish Connect chapter 17 Flashcards La vida social y afectiva Learn with flashcards, games, and more — for free. Sign In | Connect | McGraw Hill Sign In | Connect | McGraw Hill. Skip to main content McGraw Hill Higher Ed page. Help. McGraw Hill Higher Ed page. Sign In. Email Address. Password. Forgot ... Spanish 102 • Communicate, with few errors, in Spanish using level-appropriate language for ... completing the McGraw-Hill “Connect” exercises (known as “Prep”, “Hmwk ... Webmail Login You have logged out. The system has detected that you are using Internet Explorer 11. cPanel & WHM no longer supports Internet Explorer 11. Looking for the answers to the McGraw Connect Spanish ... Looking for the answers to the McGraw Connect Spanish Homework, does anyone know where I may find the answers? FOREIGN LANGUAGE · SPANISH · SPN 2113. Connect | McGraw Hill: Sign In Sign In | Connect | McGraw Hill. Skip to main content McGraw Hill Higher Ed page. Help. McGraw Hill Higher Ed page. Sign In. Email Address. Password. Forgot ...