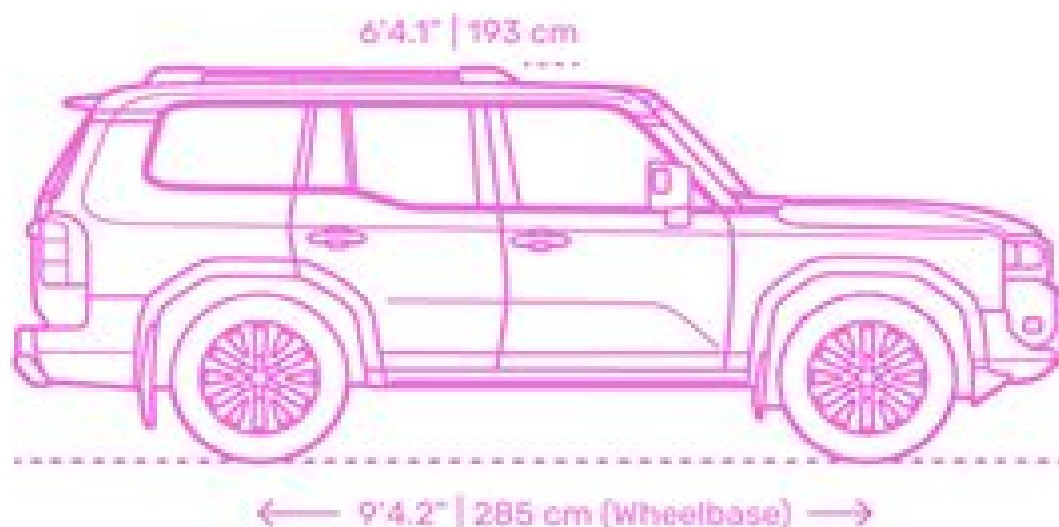
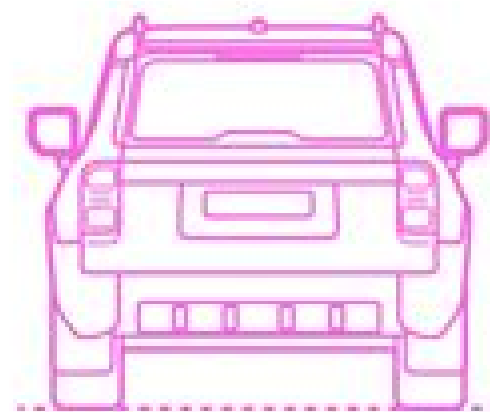
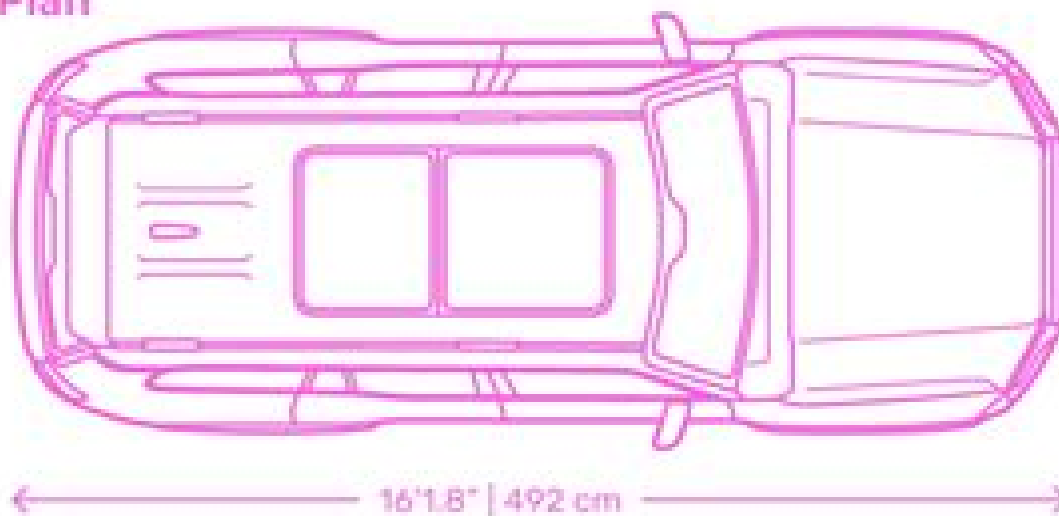


Dimensions.com | Toyota Land Cruiser (J250)



Plan



Toyota Land Cruiser Fj4diagram Chart Guide

Christian Drosten



Toyota Land Cruiser Fj4diagram Chart Guide:

Popular Mechanics ,1978-12 Popular Mechanics inspires instructs and influences readers to help them master the modern world Whether it s practical DIY home improvement tips gadgets and digital technology information on the newest cars or the latest breakthroughs in science PM is the ultimate guide to our high tech lifestyle **Popular Mechanics** ,1985-01 Popular Mechanics inspires instructs and influences readers to help them master the modern world Whether it s practical DIY home improvement tips gadgets and digital technology information on the newest cars or the latest breakthroughs in science PM is the ultimate guide to our high tech lifestyle Consumers Index to Product Evaluations and Information Sources ,1981 Popular Science ,1978-04 Popular Science gives our readers the information and tools to improve their technology and their world The core belief that Popular Science and our readers share The future is going to be better and science and technology are the driving forces that will help make it better Popular Science ,1978-10 Popular Science gives our readers the information and tools to improve their technology and their world The core belief that Popular Science and our readers share The future is going to be better and science and technology are the driving forces that will help make it better Toyota Land Cruiser FJ Series 1985-1990 Service Manual ,1995 Workshop Manual for Toyota Land Cruiser Intereurope,1969 Toyota Land Cruiser Repair Manual ,1964 Toyota Truck & Land Cruiser Owner's Bible Moses Ludel,1995 A Hands on Guide To Getting The Most From Your Toyota The Toyota Truck Land Cruiser Owner s Bible is the authoritative companion book for your Toyota truck whether it s a heavy hauling pickup rugged off road FJ40 or a new Land Cruiser that s never left pavement Author veteran truck mechanic and off road expert Moses Ludel has written the only comprehensive source of information for Toyota Trucks and Land Cruisers a history buyer s guide service manual and high performance tuning book all in one Discover every aspect of Toyota trucks from their origins in 1958 to the latest technological advances You ll learn tips for buying the right new or used truck and which accessories make sense for your needs Step by step procedures with hundreds of photos cover basic maintenance and more complicated work like tune ups valve adjustments brake jobs and installing aftermarket suspension lift kits Get the hot set up for your truck whether you want low end torque or high RPM power Moses gives specific tuning recommendations for engines from the early inline 6s to the advanced 4 5L 24 valve DJ engine He shares expert insights into the best high performance components and the latest technology from Toyota Racing Development You ll also find suspension and chassis modifications and the best tire and wheel combinations Comprehensive coverage of Toyota Trucks and Land Cruisers from 1958 1996 including 4Runner SR 5 Tacoma T 100 FJ25 FJ40 FJ43 FJ45 FJ55 FJ80 FJ60 DJ80 Stout Hi Lux Xtra Cab Cab and Chassis Models **Toyota Land Cruiser FJ Series, 1975-1983** ,1987 **Toyota Land Cruiser FJ Series, 1985-1988** ,1988 Workshop manual **Toyota Land Cruiser FJ Series, 1975-1983** ,1984 **Toyota Repair Manual** Toyota Jidōsha Hanbai Kabushiki Kaisha. Export-Technical Department,1967 Part no 97216 covers FJ series **Toyota Land Cruiser FJ, BJ, HJ60 Series Service**

Training Information Toyota Motor Sales Co. Ltd,1980 **Toyota Land Cruiser Owners Workshop Manual** John Harold Haynes,Bloomsbury Publishing Plc,Peter Ward,1982 **Toyota Land Cruiser FJ Series, 1975-1984** ,1987
Toyota Land Cruiser Repair Manual FJ-.6-, BJ4-.6-,HJ4-.6- Series Aug., 1980 ,1980 **Toyota Land Cruiser** Jeff Kibler,Robert Maddox,J. H. Haynes,1998 **Toyota Land Cruiser Australian Automotive Repair Manual** Jeff Kibler,Robert Phillip Maddox,John Harold Haynes,2000 Series HJ60 61 70 75 HZJ80 HDJ80 Only covers 4 4 2L models Does NOT cover BK or Colorado models Toyota Landcruiser Repair Manual ,2012-01-01 Series 78 79 100 105 6 8 cylinder engines with 4 5L 4 7L petrol and 4 2L diesel

Immerse yourself in the artistry of words with is expressive creation, Immerse Yourself in **Toyota Land Cruiser Fj4diagram Chart Guide** . This ebook, presented in a PDF format (Download in PDF: *), is a masterpiece that goes beyond conventional storytelling. Indulge your senses in prose, poetry, and knowledge. Download now to let the beauty of literature and artistry envelop your mind in a unique and expressive way.

<https://about.livewellcolorado.org/book/uploaded-files/fetch.php/tesa%20ttd%20manual.pdf>

Table of Contents Toyota Land Cruiser Fj4diagram Chart Guide

1. Understanding the eBook Toyota Land Cruiser Fj4diagram Chart Guide
 - The Rise of Digital Reading Toyota Land Cruiser Fj4diagram Chart Guide
 - Advantages of eBooks Over Traditional Books
2. Identifying Toyota Land Cruiser Fj4diagram Chart Guide
 - Exploring Different Genres
 - Considering Fiction vs. Non-Fiction
 - Determining Your Reading Goals
3. Choosing the Right eBook Platform
 - Popular eBook Platforms
 - Features to Look for in an Toyota Land Cruiser Fj4diagram Chart Guide
 - User-Friendly Interface
4. Exploring eBook Recommendations from Toyota Land Cruiser Fj4diagram Chart Guide
 - Personalized Recommendations
 - Toyota Land Cruiser Fj4diagram Chart Guide User Reviews and Ratings
 - Toyota Land Cruiser Fj4diagram Chart Guide and Bestseller Lists
5. Accessing Toyota Land Cruiser Fj4diagram Chart Guide Free and Paid eBooks
 - Toyota Land Cruiser Fj4diagram Chart Guide Public Domain eBooks
 - Toyota Land Cruiser Fj4diagram Chart Guide eBook Subscription Services
 - Toyota Land Cruiser Fj4diagram Chart Guide Budget-Friendly Options

6. Navigating Toyota Land Cruiser Fj4diagram Chart Guide eBook Formats
 - ePub, PDF, MOBI, and More
 - Toyota Land Cruiser Fj4diagram Chart Guide Compatibility with Devices
 - Toyota Land Cruiser Fj4diagram Chart Guide Enhanced eBook Features
7. Enhancing Your Reading Experience
 - Adjustable Fonts and Text Sizes of Toyota Land Cruiser Fj4diagram Chart Guide
 - Highlighting and Note-Taking Toyota Land Cruiser Fj4diagram Chart Guide
 - Interactive Elements Toyota Land Cruiser Fj4diagram Chart Guide
8. Staying Engaged with Toyota Land Cruiser Fj4diagram Chart Guide
 - Joining Online Reading Communities
 - Participating in Virtual Book Clubs
 - Following Authors and Publishers Toyota Land Cruiser Fj4diagram Chart Guide
9. Balancing eBooks and Physical Books Toyota Land Cruiser Fj4diagram Chart Guide
 - Benefits of a Digital Library
 - Creating a Diverse Reading Collection Toyota Land Cruiser Fj4diagram Chart Guide
10. Overcoming Reading Challenges
 - Dealing with Digital Eye Strain
 - Minimizing Distractions
 - Managing Screen Time
11. Cultivating a Reading Routine Toyota Land Cruiser Fj4diagram Chart Guide
 - Setting Reading Goals Toyota Land Cruiser Fj4diagram Chart Guide
 - Carving Out Dedicated Reading Time
12. Sourcing Reliable Information of Toyota Land Cruiser Fj4diagram Chart Guide
 - Fact-Checking eBook Content of Toyota Land Cruiser Fj4diagram Chart Guide
 - Distinguishing Credible Sources
13. Promoting Lifelong Learning
 - Utilizing eBooks for Skill Development
 - Exploring Educational eBooks
14. Embracing eBook Trends
 - Integration of Multimedia Elements

- Interactive and Gamified eBooks

Toyota Land Cruiser Fj4diagram Chart Guide Introduction

In the digital age, access to information has become easier than ever before. The ability to download Toyota Land Cruiser Fj4diagram Chart Guide has revolutionized the way we consume written content. Whether you are a student looking for course material, an avid reader searching for your next favorite book, or a professional seeking research papers, the option to download Toyota Land Cruiser Fj4diagram Chart Guide has opened up a world of possibilities. Downloading Toyota Land Cruiser Fj4diagram Chart Guide provides numerous advantages over physical copies of books and documents. Firstly, it is incredibly convenient. Gone are the days of carrying around heavy textbooks or bulky folders filled with papers. With the click of a button, you can gain immediate access to valuable resources on any device. This convenience allows for efficient studying, researching, and reading on the go. Moreover, the cost-effective nature of downloading Toyota Land Cruiser Fj4diagram Chart Guide has democratized knowledge. Traditional books and academic journals can be expensive, making it difficult for individuals with limited financial resources to access information. By offering free PDF downloads, publishers and authors are enabling a wider audience to benefit from their work. This inclusivity promotes equal opportunities for learning and personal growth. There are numerous websites and platforms where individuals can download Toyota Land Cruiser Fj4diagram Chart Guide. These websites range from academic databases offering research papers and journals to online libraries with an expansive collection of books from various genres. Many authors and publishers also upload their work to specific websites, granting readers access to their content without any charge. These platforms not only provide access to existing literature but also serve as an excellent platform for undiscovered authors to share their work with the world. However, it is essential to be cautious while downloading Toyota Land Cruiser Fj4diagram Chart Guide. Some websites may offer pirated or illegally obtained copies of copyrighted material. Engaging in such activities not only violates copyright laws but also undermines the efforts of authors, publishers, and researchers. To ensure ethical downloading, it is advisable to utilize reputable websites that prioritize the legal distribution of content. When downloading Toyota Land Cruiser Fj4diagram Chart Guide, users should also consider the potential security risks associated with online platforms. Malicious actors may exploit vulnerabilities in unprotected websites to distribute malware or steal personal information. To protect themselves, individuals should ensure their devices have reliable antivirus software installed and validate the legitimacy of the websites they are downloading from. In conclusion, the ability to download Toyota Land Cruiser Fj4diagram Chart Guide has transformed the way we access information. With the convenience, cost-effectiveness, and accessibility it offers, free PDF downloads have become a popular choice for students, researchers, and book lovers worldwide. However, it is crucial to engage in ethical downloading practices and prioritize personal security when utilizing online platforms. By doing so,

individuals can make the most of the vast array of free PDF resources available and embark on a journey of continuous learning and intellectual growth.

FAQs About Toyota Land Cruiser Fj4diagram Chart Guide Books

What is a Toyota Land Cruiser Fj4diagram Chart Guide PDF? A PDF (Portable Document Format) is a file format developed by Adobe that preserves the layout and formatting of a document, regardless of the software, hardware, or operating system used to view or print it. **How do I create a Toyota Land Cruiser Fj4diagram Chart Guide PDF?** There are several ways to create a PDF: Use software like Adobe Acrobat, Microsoft Word, or Google Docs, which often have built-in PDF creation tools. Print to PDF: Many applications and operating systems have a "Print to PDF" option that allows you to save a document as a PDF file instead of printing it on paper. Online converters: There are various online tools that can convert different file types to PDF. **How do I edit a Toyota Land Cruiser Fj4diagram Chart Guide PDF?** Editing a PDF can be done with software like Adobe Acrobat, which allows direct editing of text, images, and other elements within the PDF. Some free tools, like PDFescape or Smallpdf, also offer basic editing capabilities. **How do I convert a Toyota Land Cruiser Fj4diagram Chart Guide PDF to another file format?** There are multiple ways to convert a PDF to another format: Use online converters like Smallpdf, Zamzar, or Adobe Acrobats export feature to convert PDFs to formats like Word, Excel, JPEG, etc. Software like Adobe Acrobat, Microsoft Word, or other PDF editors may have options to export or save PDFs in different formats. **How do I password-protect a Toyota Land Cruiser Fj4diagram Chart Guide PDF?** Most PDF editing software allows you to add password protection. In Adobe Acrobat, for instance, you can go to "File" -> "Properties" -> "Security" to set a password to restrict access or editing capabilities. Are there any free alternatives to Adobe Acrobat for working with PDFs? Yes, there are many free alternatives for working with PDFs, such as: LibreOffice: Offers PDF editing features. PDFsam: Allows splitting, merging, and editing PDFs. Foxit Reader: Provides basic PDF viewing and editing capabilities. How do I compress a PDF file? You can use online tools like Smallpdf, ILovePDF, or desktop software like Adobe Acrobat to compress PDF files without significant quality loss. Compression reduces the file size, making it easier to share and download. Can I fill out forms in a PDF file? Yes, most PDF viewers/editors like Adobe Acrobat, Preview (on Mac), or various online tools allow you to fill out forms in PDF files by selecting text fields and entering information. Are there any restrictions when working with PDFs? Some PDFs might have restrictions set by their creator, such as password protection, editing restrictions, or print restrictions. Breaking these restrictions might require specific software or tools, which may or may not be legal depending on the circumstances and local laws.

Find Toyota Land Cruiser Fj4diagram Chart Guide :

tesa ttd manual

term1 garde 11

terex stacker tfc4manual

ten thousand devils the outlaw king book 3

~~tesccc precalculus answers 2012 unit lesson 01~~

tesccc precalculus answers 2012 solving with radians

term 4 question paper of geography in grade 9

terex tc 60 service manual

tescc algebra 1 mathematics unit 7 lesson 01

tempting prudence sweet shoppe book english edition

~~term 2ncert textbook solutions for class 10 english literature~~

tennis elbow a manual therapist s perspective

~~tesccc function applications key~~

tesccc answer key unit 5 lesson 3

template for college softball player profile

Toyota Land Cruiser Fj4diagram Chart Guide :

queensland curriculum sight word levels dev eequ org - Jun 02 2022

web queensland curriculum sight word levels may 12th 2018 a lovely set of question words on speech bubbles perfect for your literacy display prisoners of frontier wars blackbirding amp chain gangs may 15th 2018 a native police force 1842 these forces were established in port phillip in 1842 in new

queensland curriculum sight word levels pdf uniport edu - Oct 06 2022

web jul 5 2023 queensland curriculum sight word levels 3 7 downloaded from uniport edu ng on july 5 2023 by guest annual report of the minister for education and cultural activities queensland department of education 1986 running records marie m clay 2000 this is a brief exploration of running

queensland curriculum sight word levels 2022 old talentsprint - Jul 03 2022

web queensland curriculum sight word levels 1 queensland curriculum sight word levels my book of words for school melbourne declaration on educational goals for young australians phonic and sight word sequence linguistics and language

behavior abstracts the advocate language literacy and early childhood education bringing

queensland curriculum sight word levels 2022 - Jan 29 2022

web you could buy guide queensland curriculum sight word levels or get it as soon as feasible you could quickly download this queensland curriculum sight word levels after getting deal so similar to you require the book swiftly you can straight get it

scope and sequence spelling queensland curriculum and - Aug 16 2023

web spelling scope and sequence spelling to develop as independent spellers students need to learn how the orthographic spelling system works so that they can readily spell words they have never seen before the orthographic system is regular and predictable it codes information about words particularly sound

f 10 australian curriculum english version 8 4 queensland - Jul 15 2023

web learning in english builds on concepts skills and processes developed in earlier years and teachers will develop and strengthen these as needed in the foundation year students communicate with peers teachers known adults and students from other classes students engage with a variety of texts for enjoyment

prep year english queensland curriculum and assessment - Jun 14 2023

web 150899 prep year english australian curriculum in queensland february 2013 amended march 2015 ii amendments notice march 2015 accessing current qcaa resources resources referred to in this document may have been updated or replaced

4 queensland curriculum queensland curriculum and - Jan 09 2023

web jan 13 2023 4 queensland curriculum schools make decisions about the curriculum offered in schools and the method of delivery based on the individual school context print section in this section 4 1 syllabuses 4 2 delivery approaches to curriculum 4 3 resources 4 4 syllabus review and revision last updated

learning resources education - Dec 08 2022

web feb 16 2023 there are many educational websites that provide learning activities for students of all ages to help you select relevant activities when visiting these websites look at the prep to year 10 australian curriculum parent information webpage to see what your children will be learning in each learning area at each stage of schooling aboriginal

a z list of senior subjects queensland curriculum and - Feb 27 2022

web sep 7 2020 a z list of senior subjects general subjects are suited to students who are interested in pathways beyond senior secondary schooling that lead primarily to tertiary studies vocational education and training or work general subjects may contribute up to four credits towards the qce results in general subjects may contribute to a student

free queensland curriculum sight word levels - Dec 28 2021

web queensland curriculum sight word levels 40 sensational sight word games apr 25 2022 build reading skills with sight word soup word construction site and more sight words kindergarten for sentences nov 20 2021 sight words kindergarten our kids tend to struggle big time with recognizing learning however the same problem is sorted out [curriculum education and training queensland government](#) - Nov 07 2022

web queensland schools are required to implement all eight learning areas of the australian curriculum version 8 in prep to year 10 by the end of 2020 the australian curriculum consists of eight learning areas seven general capabilities and [curriculum education](#) - Mar 11 2023

web dec 1 2022 curriculum into the classroom c2c c2c materials support queensland state school teachers to deliver the australian curriculum p 12 curriculum assessment and reporting framework read about the requirements for each queensland state school in delivering the curriculum from prep to year 12 learning home

queensland curriculum sight word levels pdf national - May 01 2022

web statement as without difficulty as keenness of this queensland curriculum sight word levels pdf can be taken as skillfully as picked to act phonics in context gunter schymkiw 2002 provides opportunities to expand students sight and phonic vocabularies in the context of a story contains a selection of stories and activities enabling students [online resources education and training queensland government](#) - Mar 31 2022

web mar 8 2018 learn about curricular and extra curricular programs that offer experiences outside the classroom [reading education](#) - Apr 12 2023

web feb 16 2023 our experts also provide advice for those with students experiencing learning difficulties including dyslexia this service may be accessed by email reading centre qed qld gov au telephone 07 3328 6950 *teaching sight words at home brisbane kids* - Feb 10 2023

web sight words the dolch word list are a set of 220 common words and 95 nouns said to comprise 80 of the text children read and 50 of the text adults read there are two types of sight words those that can t be phonetically sounded

queensland curriculum sight word levels book - May 13 2023

web queensland curriculum sight word levels smart start sight words and high frequency words grade k sep 10 2021 accelerate children s reading skills by helping them learn to read sight words

queensland curriculum sight word levels rdoforum gov - Aug 04 2022

web oct 30 2020 queensland curriculum sight word levels parliamentary papers clinker castle linguistics and language behavior abstracts phonics in context my book of words for school advancement of women big book of dolch sight word activities grades k 3 the queensland law society journal res gestae things done wordwork the *queensland curriculum sight word levels* - Sep 05 2022

web queensland curriculum sight word levels 1 queensland curriculum sight word levels language practices of indigenous children and youth phonemic awareness linguistics and language behavior abstracts virtual learning environments in higher education language literacy and early childhood education bringing words to life

advanced computer architecture researchgate - Nov 07 2022

web sep 13 2021 abstract advanced computer architecture includes study of instruction set design parallel processing bit instruction and data level parallelism distributed computing virtualization

international journal of architectural computing sage journals - Mar 11 2023

web sep 12 2023 the international journal of architectural computing ijac is an exciting peer reviewed journal founded by international organizations dedicated to promoting collaborative research and development of computer aided architectural design

advances in computer architecture researchgate - Feb 27 2022

web sep 21 2013 download citation advances in computer architecture in the past efforts were taken to improve the performance of a processor via frequency scaling however industry has reached the limits of

advanced computer architecture springer - Dec 08 2022

web pages 1 15 acrp application customized reconfigurable pipeline guanwu wang lei liu sikun li pages 16 30 srs a split range shared memory consistency model for thousand core processors hui lyu fang zheng xianghui xie pages 31 42

recent advances in computer architecture the opportunities and - May 01 2022

web jan 1 2015 h k huang grid computing represents the latest and most exciting technology to evolve from the familiar realm of parallel peer to peer and client server models that can address the problem of

applied sciences special issue advanced computer architecture - May 13 2023

web apr 20 2023 special issue information dear colleagues we invite researchers scholars research engineers and authors to submit their manuscripts on topics related to advanced computer architecture with a particular emphasis on the following topics data level parallelism architectures vector simd simt etc

handbook of computer architecture springerlink - Feb 10 2023

web reviews exhaustively the basic to the most advanced topics in computer architecture includes in depth study of design methodologies and tools for computer architectures covers diverse types of architectures ranging from asics fpgas to multicores

advanced computer architecture springer - Aug 16 2023

web the papers of this volume are organized in topical sections on interconnection network router and network interface architecture accelerator based application specific and reconfigurable architecture processor memory and storage systems

architecture model simulation and evaluation of architecture new trends of technologies and
advanced computer architecture springer - Jul 15 2023

web aca 2018 proceedings on logic circuits reconfigurable computing power and energy processors and memory
architectures parallel architectures distributed architectures neural networks reconfigurable computing heterogeneous
systems cloud computing fault tolerant systems

computer architecture technology trends sciencedirect - Aug 04 2022

web this report is fully revised and updated and provides insight into the fundamentals of computer architecture what it is
and how it is applied to fit a particular problem definition also discussed is where the future leads given current trends in
computer architecture

advanced computer architecture for jntu h 18 course iii i - Jul 03 2022

web rs 200 00 tax included shipping calculated at checkout unit i theory of parallelism parallel computer models the state of
computing multiprocessors and multicomputer multivector and simd computers pram and vlsi models architectural
development tracks program and network properties conditions of parallelism program partitioning

pdf technical publications for advanced computer architecture - Jan 09 2023

web advanced computing topics into the classroom in order to close the gap in workforce development the book is chiefly
intended for undergraduate and graduate students in computer architecture and computer organization as well as engineers
researchers cybersecurity professionals and middleware designers computer architecture and

technical publications an upthrust for knowledge - Dec 28 2021

web systems in mechanical engineering in sem for sppu 19 course fe i common 102003 decode rs 95 00 add to cart technical
publications

advanced architecture computers technical report osti gov - Sep 05 2022

web we describe the characteristics of several recent computers that employ vectorization or parallelism to achieve high
performance in floating point calculations we consider both top of the range supercomputers and computers based on

advances in computer architecture guide books acm digital - Jun 02 2022

web object oriented computer architectures for new generation of applications acm sigarch computer architecture news 23 5
8 19 online publication date 15 dec 1995 walker w and cragon h 1995 interrupt processing in concurrent processors
computer 28 6 36 46 online publication date 1 jun 1995

unit 1 advanced computer architecture introduction - Mar 31 2022

web jan 1 2010 pdf on jan 1 2010 jain nitin published unit 1 advanced computer architecture introduction find read and cite
all the research you need on researchgate

advanced computer architecture a systems design approach - Jan 29 2022

web jun 18 2022 advanced computer architecture a systems design approach by kain richard y publication date 1996 topics computer architecture publisher englewood cliffs n j prentice hall

[advanced computer architecture springerlink](#) - Jun 14 2023

web sep 13 2021 advanced computer architecture includes study of instruction set design parallel processing bit instruction and data level parallelism distributed computing virtualization architecture and cloud and mobile architecture the

advanced computer architecture springer - Apr 12 2023

web home conference proceedings editors junjie wu lian li includes supplementary material sn pub extras part of the book series communications in computer and information science ccis volume 626 conference series link s aca conference on advanced computer architecture 16k accesses 35 citations conference proceedings info aca

advanced computer architecture - Oct 06 2022

web this book deals with advanced computer architecture and parallel programming techniques the material is suitable for use as a textbook in a one semester graduate or senior course offered by computer science computer engineering electrical engineering or industrial engineering programs

[understanding income and expenses biz kids](#) - Sep 18 2023

web mar 29 2020 view finlit plus workbook answer keys pdf from communicat misc at san jacinto contents b u d g e t i n g income and expenses 1 going on vacation

ch04 answer key chapter 4 income statement and related - Oct 07 2022

web jul 18 2022 income and expenses illustrated by chelsea miller last updated july 18 2022 3 min read budgeting income and expenses in this article budget calculator find

[income and expenses answer key pdf pdf tax clone ortax](#) - Jan 30 2022

[d7 interest deductions 2023 australian taxation office](#) - Oct 27 2021

income and expense statement fill download for free - Nov 27 2021

[income statement definition explanation and examples](#) - Jul 16 2023

web 4 optional budgeting for income and expenses 3 day step by step screenshots this handout shows screenshots of mint that guide students through the worksheet and

income and expenses 119 plays quizizz - Feb 28 2022

[income and expenses banzai](#) - May 02 2022

web the guide of completing income and expense statement online if you take an interest in fill and create a income and expense statement here are the easy guide you need to

income and expense worksheet education com - Aug 05 2022

web 45 seconds 1 pt according to rory s paycheck last week he earned 800 last month but before taxes and other deductions were taken out he earned 1 050 which amount

understanding income and expenses biz kids lesson - Feb 11 2023

web add the sum formula in the cell after the last cell in the income column to sum up the total then highlight the cells starting from below the label income to the last cell and

5 1 the income statement principles of finance openstax - Jul 04 2022

web introduction income and expenses answer key pdf pdf nta cuet pg mba allied courses entrance ebook pdf chandresh agrawal 2022 05 20 sgn the ebook

[project based learning for the personal finance classroom](#) - Nov 08 2022

web show episode 123 income and expenses activity to follow viewing the program together ask students why they think it is important for a business owner to keep track of

evan s income and expense statement answer key pdf filler - Apr 01 2022

web may 24 2023 complete question d7 to claim interest expenses incurred from interest income you have declared at question 10 things you need to know interest expenses

[episode 123 understanding income and expenses dcmp](#) - Jun 03 2022

web receipts and payments account the income and expenditure account is a summary of all income and expense items for the current fiscal year it is created to determine the

budgeting for income and expenses simulation 3 - Apr 13 2023

web cash flow statement provided detail of income and expenses plus 10 the student attempted to create a cash flow statement but they were not thorough plus 5 the

income statement how to read and use it - Dec 09 2022

web identify the structure and key elements of the income statement discuss the use of ebitda as a measure of a company s profit financial information flows from one it

50 sample income and expense worksheets in pdf ms word - Sep 06 2022

web 01 gather all necessary financial documents such as pay stubs bank statements and receipts 02 start by recording all sources of income including wages salaries

2 1 income and expenses personal finance lumen - Oct 19 2023

web 1 understand what your income and expenses are 2 know how to calculate your cash flow 3 recognize the importance of positive cash flow 4 learn financial terms

understanding income and expenses biz kids - Jan 10 2023

web income and expense your students might not have to worry too much about income and expense yet but it s a great way to practice multi step mixed operations word problems

income and expense statement flashcards quizlet - Jun 15 2023

web 1 cash flow is the relationship of coming in to money going out income is money coming in expenses are money going out 2 it is important for financial success to have more

key synopsis on receipts and payments and income and - Dec 29 2021

econedlink budgeting for income and expenses - Mar 12 2023

web dec 31 2017 the advantages of the single step income statement are 1 simplicity and conciseness 2 probably better understood by the layperson 3 emphasis on total

finlit plus workbook answer keys pdf plus workbook course hero - Aug 17 2023

web net gain when income is greater than expenses net income take home money net loss when expenses are greater than income savings the portion of current income

income and expenses a1corp com sg - May 14 2023

web 1 understand what your income and expenses are 2 know how to calculate your cash flow 3 recognize the importance of positive cash flow 4 learn financial terms