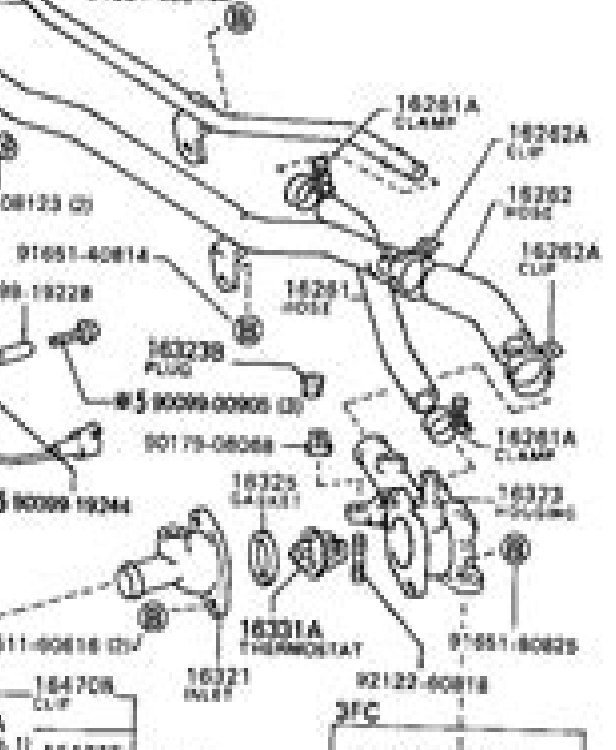
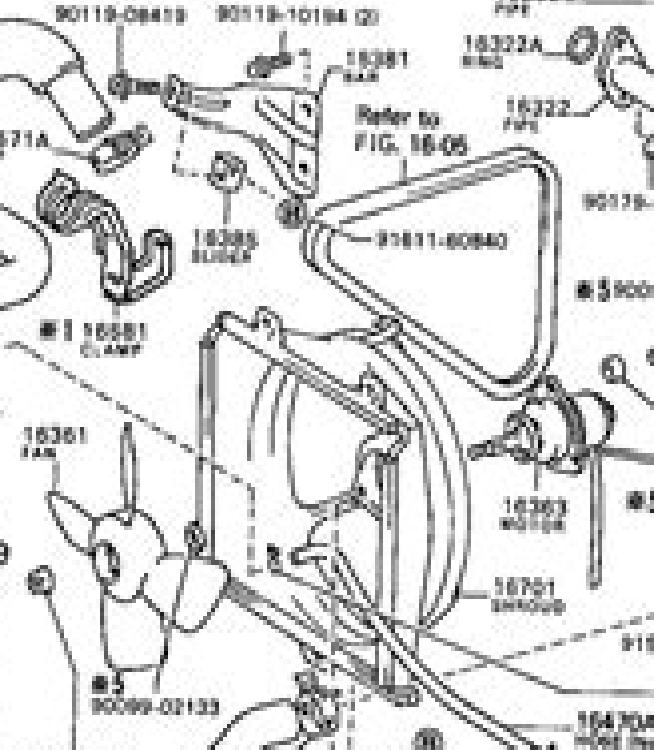
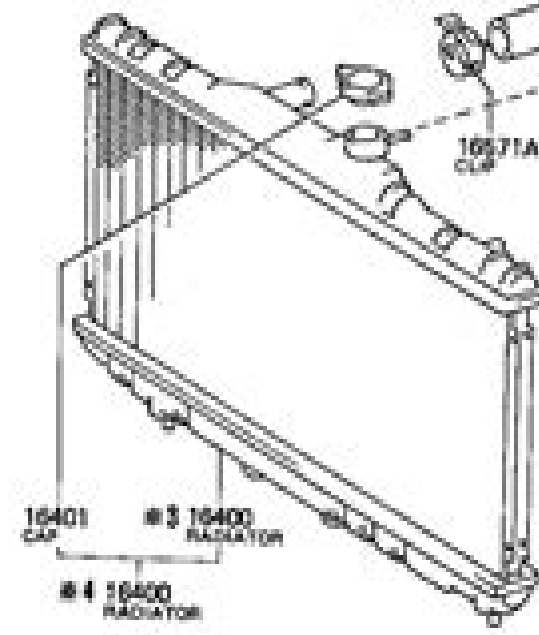
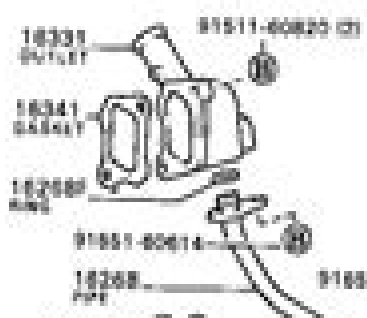
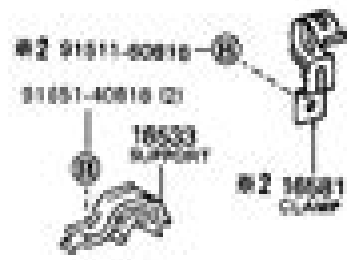


# 6	18508-	1
# 5	18508-	1
# 4	18404-	1
# 3	18404-	1
# 2	18401-	1
# 1	18401-	1



Toyota Corolla Engine Wiring Diagram

N Colangelo



Toyota Corolla Engine Wiring Diagram:

If you ally need such a referred **Toyota Corolla Engine Wiring Diagram** book that will allow you worth, acquire the certainly best seller from us currently from several preferred authors. If you desire to witty books, lots of novels, tale, jokes, and more fictions collections are also launched, from best seller to one of the most current released.

You may not be perplexed to enjoy every ebook collections Toyota Corolla Engine Wiring Diagram that we will enormously offer. It is not going on for the costs. Its about what you infatuation currently. This Toyota Corolla Engine Wiring Diagram, as one of the most in force sellers here will entirely be accompanied by the best options to review.

<https://about.livewellcolorado.org/public/detail/fetch.php/Technical%20Calculus%20Solution%20Manual%20Kuhfittig.pdf>

Table of Contents Toyota Corolla Engine Wiring Diagram

1. Understanding the eBook Toyota Corolla Engine Wiring Diagram
 - The Rise of Digital Reading Toyota Corolla Engine Wiring Diagram
 - Advantages of eBooks Over Traditional Books
2. Identifying Toyota Corolla Engine Wiring Diagram
 - Exploring Different Genres
 - Considering Fiction vs. Non-Fiction
 - Determining Your Reading Goals
3. Choosing the Right eBook Platform
 - Popular eBook Platforms
 - Features to Look for in an Toyota Corolla Engine Wiring Diagram
 - User-Friendly Interface
4. Exploring eBook Recommendations from Toyota Corolla Engine Wiring Diagram
 - Personalized Recommendations
 - Toyota Corolla Engine Wiring Diagram User Reviews and Ratings
 - Toyota Corolla Engine Wiring Diagram and Bestseller Lists
5. Accessing Toyota Corolla Engine Wiring Diagram Free and Paid eBooks

- Toyota Corolla Engine Wiring Diagram Public Domain eBooks
 - Toyota Corolla Engine Wiring Diagram eBook Subscription Services
 - Toyota Corolla Engine Wiring Diagram Budget-Friendly Options
6. Navigating Toyota Corolla Engine Wiring Diagram eBook Formats
 - ePub, PDF, MOBI, and More
 - Toyota Corolla Engine Wiring Diagram Compatibility with Devices
 - Toyota Corolla Engine Wiring Diagram Enhanced eBook Features
 7. Enhancing Your Reading Experience
 - Adjustable Fonts and Text Sizes of Toyota Corolla Engine Wiring Diagram
 - Highlighting and Note-Taking Toyota Corolla Engine Wiring Diagram
 - Interactive Elements Toyota Corolla Engine Wiring Diagram
 8. Staying Engaged with Toyota Corolla Engine Wiring Diagram
 - Joining Online Reading Communities
 - Participating in Virtual Book Clubs
 - Following Authors and Publishers Toyota Corolla Engine Wiring Diagram
 9. Balancing eBooks and Physical Books Toyota Corolla Engine Wiring Diagram
 - Benefits of a Digital Library
 - Creating a Diverse Reading Collection Toyota Corolla Engine Wiring Diagram
 10. Overcoming Reading Challenges
 - Dealing with Digital Eye Strain
 - Minimizing Distractions
 - Managing Screen Time
 11. Cultivating a Reading Routine Toyota Corolla Engine Wiring Diagram
 - Setting Reading Goals Toyota Corolla Engine Wiring Diagram
 - Carving Out Dedicated Reading Time
 12. Sourcing Reliable Information of Toyota Corolla Engine Wiring Diagram
 - Fact-Checking eBook Content of Toyota Corolla Engine Wiring Diagram
 - Distinguishing Credible Sources
 13. Promoting Lifelong Learning
 - Utilizing eBooks for Skill Development

- Exploring Educational eBooks
14. Embracing eBook Trends
- Integration of Multimedia Elements
 - Interactive and Gamified eBooks

Toyota Corolla Engine Wiring Diagram Introduction

In this digital age, the convenience of accessing information at our fingertips has become a necessity. Whether its research papers, eBooks, or user manuals, PDF files have become the preferred format for sharing and reading documents. However, the cost associated with purchasing PDF files can sometimes be a barrier for many individuals and organizations. Thankfully, there are numerous websites and platforms that allow users to download free PDF files legally. In this article, we will explore some of the best platforms to download free PDFs. One of the most popular platforms to download free PDF files is Project Gutenberg. This online library offers over 60,000 free eBooks that are in the public domain. From classic literature to historical documents, Project Gutenberg provides a wide range of PDF files that can be downloaded and enjoyed on various devices. The website is user-friendly and allows users to search for specific titles or browse through different categories. Another reliable platform for downloading Toyota Corolla Engine Wiring Diagram free PDF files is Open Library. With its vast collection of over 1 million eBooks, Open Library has something for every reader. The website offers a seamless experience by providing options to borrow or download PDF files. Users simply need to create a free account to access this treasure trove of knowledge. Open Library also allows users to contribute by uploading and sharing their own PDF files, making it a collaborative platform for book enthusiasts. For those interested in academic resources, there are websites dedicated to providing free PDFs of research papers and scientific articles. One such website is Academia.edu, which allows researchers and scholars to share their work with a global audience. Users can download PDF files of research papers, theses, and dissertations covering a wide range of subjects. Academia.edu also provides a platform for discussions and networking within the academic community. When it comes to downloading Toyota Corolla Engine Wiring Diagram free PDF files of magazines, brochures, and catalogs, Issuu is a popular choice. This digital publishing platform hosts a vast collection of publications from around the world. Users can search for specific titles or explore various categories and genres. Issuu offers a seamless reading experience with its user-friendly interface and allows users to download PDF files for offline reading. Apart from dedicated platforms, search engines also play a crucial role in finding free PDF files. Google, for instance, has an advanced search feature that allows users to filter results by file type. By specifying the file type as "PDF," users can find websites that offer free PDF downloads on a specific topic. While downloading Toyota Corolla Engine Wiring Diagram free PDF files is convenient, its important to note that copyright laws must be respected. Always ensure that the PDF files you download are

legally available for free. Many authors and publishers voluntarily provide free PDF versions of their work, but its essential to be cautious and verify the authenticity of the source before downloading Toyota Corolla Engine Wiring Diagram. In conclusion, the internet offers numerous platforms and websites that allow users to download free PDF files legally. Whether its classic literature, research papers, or magazines, there is something for everyone. The platforms mentioned in this article, such as Project Gutenberg, Open Library, Academia.edu, and Issuu, provide access to a vast collection of PDF files. However, users should always be cautious and verify the legality of the source before downloading Toyota Corolla Engine Wiring Diagram any PDF files. With these platforms, the world of PDF downloads is just a click away.

FAQs About Toyota Corolla Engine Wiring Diagram Books

What is a Toyota Corolla Engine Wiring Diagram PDF? A PDF (Portable Document Format) is a file format developed by Adobe that preserves the layout and formatting of a document, regardless of the software, hardware, or operating system used to view or print it. **How do I create a Toyota Corolla Engine Wiring Diagram PDF?** There are several ways to create a PDF: Use software like Adobe Acrobat, Microsoft Word, or Google Docs, which often have built-in PDF creation tools. Print to PDF: Many applications and operating systems have a "Print to PDF" option that allows you to save a document as a PDF file instead of printing it on paper. Online converters: There are various online tools that can convert different file types to PDF. **How do I edit a Toyota Corolla Engine Wiring Diagram PDF?** Editing a PDF can be done with software like Adobe Acrobat, which allows direct editing of text, images, and other elements within the PDF. Some free tools, like PDFescape or Smallpdf, also offer basic editing capabilities. **How do I convert a Toyota Corolla Engine Wiring Diagram PDF to another file format?** There are multiple ways to convert a PDF to another format: Use online converters like Smallpdf, Zamzar, or Adobe Acrobats export feature to convert PDFs to formats like Word, Excel, JPEG, etc. Software like Adobe Acrobat, Microsoft Word, or other PDF editors may have options to export or save PDFs in different formats. **How do I password-protect a Toyota Corolla Engine Wiring Diagram PDF?** Most PDF editing software allows you to add password protection. In Adobe Acrobat, for instance, you can go to "File" -> "Properties" -> "Security" to set a password to restrict access or editing capabilities. Are there any free alternatives to Adobe Acrobat for working with PDFs? Yes, there are many free alternatives for working with PDFs, such as: LibreOffice: Offers PDF editing features. PDFsam: Allows splitting, merging, and editing PDFs. Foxit Reader: Provides basic PDF viewing and editing capabilities. How do I compress a PDF file? You can use online tools like Smallpdf, ILovePDF, or desktop software like Adobe Acrobat to compress PDF files without significant quality loss. Compression reduces the file size, making it easier to share and download. Can I fill out forms in a PDF file? Yes, most PDF viewers/editors like Adobe Acrobat, Preview (on Mac), or various online tools allow you to fill out

forms in PDF files by selecting text fields and entering information. Are there any restrictions when working with PDFs? Some PDFs might have restrictions set by their creator, such as password protection, editing restrictions, or print restrictions. Breaking these restrictions might require specific software or tools, which may or may not be legal depending on the circumstances and local laws.

Find Toyota Corolla Engine Wiring Diagram :

~~technical calculus solution manual kuhfittig~~

~~technical analysis without indicators~~

technical service bulletins toyota tundra

tell me true the call me cat trilogy book

~~technical education sample question paper~~

technical analysis of the financial markets for dummies

~~teen pregnancy research paper~~

technical assistance manual eeoc

tecno life user guide

technics su g95 user guide

~~tektronix 464 oscilloscope service op manual~~

technically write canadian eighth edition

tell tale heart 8th grade essay

tellabs 8660 user manual

tektronix tds34user guide

Toyota Corolla Engine Wiring Diagram :

r18 b tech mechanical engg mechatronics syllabus jntu - Jun 06 2023

web r18 b tech mechanical engg mechatronics syllabus jntu hyderabad 1 jawaharlal nehru technological university

hyderabad b tech in mechanical engineering mechatronics course structure syllabus r18 applicable from 2018 19 admitted

batch i year i semester s no course

b tech mechanical engineering from jntuh fees cutoff - Sep 09 2023

web bachelor of technology b tech mechanical engineering from jntuh hyderabad hyderabad telangana aicte ugc nba mhrd

estd 1972 state university naac grade a 60 questions answered ranked 83 for b tech by nirf 2023 5 more
jntu hyderabad b tech engineering mechanics r18 syllabus - Aug 28 2022

web introduction to engineering mechanics force systems basic concepts particle equilibrium in 2 d 3 d rigid body
equilibrium system of forces coplanar concurrent forces components in space resultant moment of forces and its application
couples and resultant of force system equilibrium of system of forces free body diagrams

b tech course structure r23 applicable from the - Apr 23 2022

web agricultural engineering civil engineering mechanical engineering mining engineering automobile engineering robotics
ece ece allied cse allied it engineering curriculum 2023 jntuk b tech r23 regulations
mechanical engineering jawaharlal nehru technological - Jul 07 2023

web academic regulations course structure and detailed syllabus mechanical engineering for b tech four year degree course
applicable for the batches admitted from 2013 14 i iv years syllabus jawaharlal nehru technological university hyderabad
kukatpally hyderabad 500

jntuh b tech r18 engineering mechanics study materials notes - Jun 25 2022

web nov 14 2022 jntuh b tech r18 engineering mechanics study materials notes rahul nov 14 2022

jawaharlal nehru technological university - Aug 08 2023

web power plant engineering mechanical vibrations microprocessors in automation professional elective ii artificial
intelligence in mechanical engineering automobile engineering industrial robotics mechatronics professional elective iii
production planning control computational fluid dynamics composite materials solar energy

best mechanical engineering universities in turkey rankings - Feb 19 2022

web jul 18 2023 below is a list of best universities in turkey ranked based on their research performance in mechanical
engineering a graph of 11 9m citations received by 1 01m academic papers made by 125 universities in turkey was used to
calculate publications ratings which then were adjusted for release dates and added to final scores

jntuh university college of engineering manthani - Jul 27 2022

web jawaharlal nehru technological university hyderabad university college of engineering manthani centenary colony po
pannur vill ramagiri mdl peddapalle telangana 505212 india a constituent college of jntu hyderabad approved by aicte new
delhi recognised by ugc under section 2 f 12 b of ugc act 1956

jntuh college of engineering hyderabad - Jan 01 2023

web civil engineering mechanical engineering electrical engineering computer science engineering mathematics humanities
social sciences physics college also offers an integrated dual degree program idp this program includes a btech and mtech
degrees in a duration of 5 years and an mba with btech

jntuh courses fees admission placements rankings - Nov 30 2022

web jul 5 2023 b tech mechanical engineering 17581 30219 18432 btech civil engineering 79466 64617 47314 b tech chemical engineering 26467 75568 35359 b tech metallurgical engineering 66548 84366 42749 b tech electrical and electronics engineering 23272 41108 31493 b tech mechanical engineering m tech

jntuh engineering mechanics syllabus ee 2 1 sem r18 ee301es - Oct 30 2022

web jntuh jntuh syllabus ee r18 syllabus 2 1 sem engineering mechanics unit 1 introduction to engineering mechanics introduction to engineering mechanics force systems

mechatronics engineering mekatronik mühendisliği İstanbul - Mar 23 2022

web mechatronics engineers who will perform tasks based on machinery electronics software and control systems technologies such as design operation maintenance repair renewal conversion of mechatronic systems especially in manufacturing technologies automotive industry aviation and space technology defense industry material processing

jntuh university college of engineering science technology - Feb 02 2023

web department of civil engineering department of electrical and electronics engineering department of mechanical engineering department of electronics and communication engineering department of computer science and engineering department of metallurgical engineering department of chemical engineering department of

jntuh university college of engineering science technology - Oct 10 2023

web the department of mechanical engineering is one of the departments existing since 1965 the year of inception of the college the department has qualified and experienced staff and well equipped laboratories the department is equipped with computer laboratory to meet the requirements of undergraduate graduate and research students vision

jawaharlal nehru technological university - May 05 2023

web r22 b tech mechanical engg jntu hyderabad 1 jawaharlal nehru technological university hyderabad b tech in mechanical engineering i year course structure syllabus r22 regulations applicable from ay 2022 23 batch i year i semester s no course code course title l t p credits 1

jntu hyderabad b tech engineering mechanics r16 syllabus - Sep 28 2022

web engineering mechanics b tech i year i sem l t p d c course code me105es 3 0 0 0 3 pre requisites none course objectives to understand the resolving forces and moments for a given force system to analyze the types of friction for moving bodies and problems related to friction to determine the centroid and second moment of area unit i

jntu hyderabad b tech basic mechanical engineering for civil engineers - May 25 2022

web jntu hyderabad b tech basic mechanical engineering for civil engineers syllabus vikramlearning com home syllabus basic mechanical engineering for civil engineers 1 r18 basic mechanical engineering for civil engineers

[jntu hyderabad b tech engineering mechanics syllabus](#) - Apr 04 2023

web jntu hyderabad b tech engineering mechanics syllabus vikramlearning com home syllabus engineering mechanics 1 r13 engineering mechanics 2 r16 engineering mechanics

[jawaharlal nehru technological university](#) - Mar 03 2023

web r22 m tech engg design jntuh 1 jawaharlal nehru technological university hyderabad m tech engineering design effective from academic year 2022 23 admitted batch r22 course structure and syllabus i year i semester course code course title l t p credits professional core

role and work of the house of lords uk parliament - Jul 15 2023

web the house of lords is often referred to as the upper house or second chamber both these terms illustrate that the lords is one of two parts of the uk parliament the political party which wins the most seats places in a general election forms the government

[inside the house of lords country life](#) - Mar 31 2022

web oct 22 2015 inside the house of lords parliament chamber alfred barry the second son and biographer of charles barry the architect of the new palace of westminster tells us that his father considered the house of lords as not a mere place of business nor even a mere house of lords but as a chamber in which a sovereign surrounded by the

house of lords uk parliament - Apr 12 2023

web sep 12 2023 parliamentary business house of lords house of lords the house of lords is the second chamber of uk parliament it plays a crucial role in examining bills questioning government action and investigating public policy latest news from the lords short debates in the lords

[inside the house of lords clive aslet](#) - Dec 28 2021

web dec 20 2021 inside the house of lords clive aslet flag as offensive 12 le morvan a district of france the library of congress classic books muffin muffin 1 by mahsa latest blog posts it takes a classroom to build an open library

bbc two meet the lords - Nov 07 2022

web bbc two meet the lords home episodes clips series following the larger than life characters that populate the house of lords one of britain s oldest most idiosyncratic and most

[graphic inside the house of lords the telegraph](#) - Jun 02 2022

web mar 13 2013 graphic inside the house of lords as house of lords officials consider abandoning the fourteenth century tradition of the woolsack the telegraph takes a look at some of the other historical

palace of westminster wikipedia - Feb 10 2023

web the palace of westminster serves as the meeting place for both the house of commons and the house of lords the two

houses of the parliament of the united kingdom informally known as the houses of parliament the palace lies on the north bank of the river thames in the city of westminster in central london england

the guardian view on house of lords reform an irresistible case - Jan 29 2022

web apr 7 2023 judging by today s contemptible lords appointment system and by the system s resistance to change even mr benton is still in with a shot of eventual ermine house of lords reform is often

inside parliament house of lords fun kids the uk s children s - Jun 14 2023

web the house of lords is the second chamber of the uk parliament it complements the work of the house of commons it makes laws holds government to account and investigates policy issues its membership is mostly appointed and includes experts in many fields

house of lords summary britannica - Dec 08 2022

web house of lords upper house of britain s bicameral parliament from the 13th and 14th centuries it was the house of the aristocracy until 1999 its membership included clergy hereditary peers life peers peers appointed by the prime minister since 1958 and the judges of the supreme court of judicature britain s final court of appeal

the house of lords representation national 5 modern studies - Sep 05 2022

web lord alan sugar sits in the house of lords the house of lords is the second chamber of the uk parliament it complements the work of the house of commons and makes laws holds government to

house of lords british parliament history powers - May 13 2023

web sep 12 2023 learn about the house of lords and know the composition and roles of its members see all videos for this article house of lords the upper chamber of great britain s bicameral legislature originated in the 11th century when the anglo saxon kings consulted witans councils composed of religious leaders and the monarch s ministers it

inside parliament house of lords episode 6 youtube - Feb 27 2022

web the house of lords has lots of important powers that help them make sure the government is doing what s best for the country find out how it s done and the h

house of lords wikiwand - Jan 09 2023

web the house of lords is the upper house of the parliament of the united kingdom like the lower house the house of commons it meets in the palace of westminster in london england one of the oldest institutions in the world its origins lie in the early 11th century and the emergence of bicameralism in the 13th century

house of lords wikipedia - Aug 16 2023

web the house of lords is the upper house of the parliament of the united kingdom like the lower house the house of commons it meets in the palace of westminster in london england one of the oldest institutions in the world its origins lie in the early

11th century and the emergence of bicameralism in the 13th century

inside the house of lords hardcover 5 oct 1998 amazon co uk - Mar 11 2023

web the house of lords the older of the two houses of parliament is one of the marvels of britain as an institution composed of hereditary peers life peers law lords and bishops it defies comparison with any other senate in the world

inside parliament who s in the lords episode 1 youtube - Jul 03 2022

web nov 18 2014 in this episode we take a look at what the members of the house of lords do plus who you might find inside it s history fun kids is the uk s children s radio station

house of lords what is it and what could labour replace it with - May 01 2022

web dec 7 2022 7 december 2022 by tom edgington bbc news the house of lords could be abolished if labour wins the next election the lords chamber is centuries old and replacing it would represent a huge

[richard bartholomew s review of inside the house of lords goodreads](#) - Aug 04 2022

web jan 2 2009 glossy coffee table book about the house of lords written on the eve of labour s 1999 reforms the author is authoritative but also manages a light touc

inside house of lords stock photos and images alamy - Oct 06 2022

web find the perfect inside house of lords stock photo image vector illustration or 360 image available for both rf and rm licensing save up to 30 when you upgrade to an image pack

reisen illustrierte geschichte vorwort abebooks - Mar 15 2023

web reisen die illustrierte geschichte mit einem vorwort von michael martin by humphreys andrew adams simon and a great selection of related books art and collectibles available now at abebooks co uk

reisen die illustrierte geschichte cheaboo de - Nov 11 2022

web das umfassende reisebuch ist das einzige illustrierte werk das zahlreiche fotografien mit historischen bezügen vereint von den reisen der griechen oder dem straßennetz der römer über zeppelinflüge und alpenüberquerungen bis hin zur ersten mondlandung und den marsmissionen wird die entwicklung des reisens im laufe der zeit eindrucksvoll

reisen die illustrierte geschichte mit einem vorwort von michael - Dec 12 2022

web reisen die illustrierte geschichte mit einem vorwort von michael martin by andrew humphreys simon adams r g grant michael martin abenteurer diplom geograph und reist seit über 30 jahren rund um den globus er veröffentlichte 30 bildbände und bücher hielt über 2000 vorträge und produzierte

[illustriertes fernweh vom reisen und nachhausekommen](#) - Apr 04 2022

web illustriertes fernweh vom reisen und nachhausekommen willy puchner isbn 9783894053895 kostenloser versand für alle bücher mit versand und verkauf duch amazon zum hauptinhalt wechseln de hallo lieferadresse wählen wähle die kategorie

aus in der du suchen möchtest

reisen die illustrierte geschichte mit einem vorwort von michael - Apr 16 2023

web hardcover gebraucht sehr gut ungelesenes vollständiges exemplar in sehr gutem zustand mit leichten lagerspuren als mängelexemplar gekennzeichnet besorgun

reisen die illustrierte geschichte mit ab 5 72 - Jan 13 2023

web 1 zoom in reisen die illustrierte geschichte mit einem vorw zustand sehr gut 2018 search dehcusthumb up isbn 9783831036073searchbzw 3831036071 in deutsch gebundenes buch gebraucht guter zustand 33 17thumbs up downversandkostenfrei unverbindlich

reisen die illustrierte geschichte mit einem vorw copy banking - Jul 07 2022

web reisen die illustrierte geschichte mit einem vorw kanon macht kultur illustrierte geschichte der musik von der renaissance bis auf die gegenwart visual history aus dem 17 und 18 jahrhundert illustrierte geschichte der urologie illustrierte geschichte des deutschen schrifttums in volkstümlicher darstellung der enthüllte erdkreis

reisen die illustrierte geschichte mit einem vorwort von michael - Mar 03 2022

web reisen die illustrierte geschichte mit einem vorwort von michael martin by andrew humphreys simon adams r g grant michael martin enthüllt wissenswertes zu historischen reisen aller art zu wichtigen errungenschaften und pionieren Über 760 fotos und illustrationen zeigen

reisen die illustrierte geschichte mit einem vorwort von michael - Jul 19 2023

web may 15th 2020 reisen die illustrierte geschichte mit einem vorwort von michael martin von andrew humphreys simon adams r g grant michael martin vorwort von verfasser michael martin hardcover 360 seiten über 760 fotografien und illustrationen 30 7

reisen die illustrierte geschichte mit einem vorwort von michael - Jan 01 2022

web reisen die illustrierte geschichte mit einem vorwort von michael martin by andrew humphreys simon adams r g grant michael martin dass sie einen beeindruckenden bildband wie diesen verdient das umfassende reisebuch ist das einzige illustrierte werk das zahlreiche fotografien mit

reisen die illustrierte geschichte mit einem vorwort von michael - Jun 18 2023

web reisen die illustrierte geschichte mit einem vorwort von michael martin by andrew humphreys simon adams r g grant michael martin von den reisen der griechen oder dem straßennetz der römer über zeppelinflüge

reisen die illustrierte geschichte mit einem vorwort von michael - May 17 2023

web abebooks com reisen die illustrierte geschichte mit einem vorwort von michael martin 9783831036073 by humphreys andrew adams simon grant r g martin michael and a great selection of similar new used

reisen die illustrierte geschichte mit einem vorwort von michael - Feb 02 2022

web jul 15 2023 reisen die illustrierte geschichte mit einem vorwort von michael martin by andrew humphreys simon adams r g grant michael martin die reise eine kurzgeschichte markus walther reisen die illustrierte geschichte 59plus wie schreibt man ein vorwort so geht s wissenschaft amp technik die

reisen die illustrierte geschichte mit einem vorw ol wise edu - Aug 08 2022

web reisen die illustrierte geschichte mit einem vorw recognizing the pretentiousness ways to get this book reisen die illustrierte geschichte mit einem vorw is additionally useful you have remained in right site to start getting this info acquire the reisen die illustrierte geschichte mit einem vorw join that we have enough money here and check

vorsicht fernweh geschichten vom reisen taschenbuch amazon de - May 05 2022

web geschichten vom reisen eulenbruch rene amazon de bücher zum inhaltsinhalt wechseln bücher wähle die kategorie aus in der du suchen möchtest kundensupport bei behinderungen

reisen die illustrierte geschichte mit einem vorw - Jun 06 2022

web reisen die illustrierte geschichte mit einem vorw 1 reisen die illustrierte geschichte 2 reisen die illustrierte geschichte mit einem vorw 2019 09 27 einmal durch die republik führt zu den trinkhallen im westen zum neujahrsspringen in garmisch partenkirchen den stählernen

rezension reisen die illustrierte geschichte weltwach - Feb 14 2023

web jan 13 2019 rezension zum buch reisen die illustrierte geschichte eine systematische und opulent gestaltete reise durch die geschichte des reisens ein buch über den zeitlosen drang des menschen neues zu entdecken und ins unbekannte aufzubrechen mit einem vorwort von michael martin isbn 978 3 8310 3607 3 360

reisen die illustrierte geschichte mit einem vorwort von michael - Aug 20 2023

web das umfassende reisebuch ist das einzige illustrierte werk das zahlreiche fotografien mit historischen bezügen vereint von den reisen der griechen oder dem straßennetz der römer über zeppelinflüge und alpenüberquerungen bis hin zur ersten mondlandung und den marsmissionen wird die entwicklung des reisens im laufe der zeit eindrucksvoll

reisen die illustrierte geschichte mit einem vorw dotnbm - Oct 10 2022

web illustrierte geschichte der deutscher literatur von den ältesten zeiten bis zur gegenwart bd von den freiheitskriegen bis zum neuen sturm und drang der enthüllte erdkreis

reisen die illustrierte geschichte mit einem vorw 2022 dotnbm - Sep 09 2022

web reisen die illustrierte geschichte mit einem vorw illustrierte geschichte des altertums aus dem 19 jahrhundert bilderbuchland illustrierte geschichte der musik von der renaissance bis auf die gegenwart dumont reise taschenbuch reiseführer köln aus dem 18 jahrhundert geschichte der japanischen litteratur targaryen wappensammler

