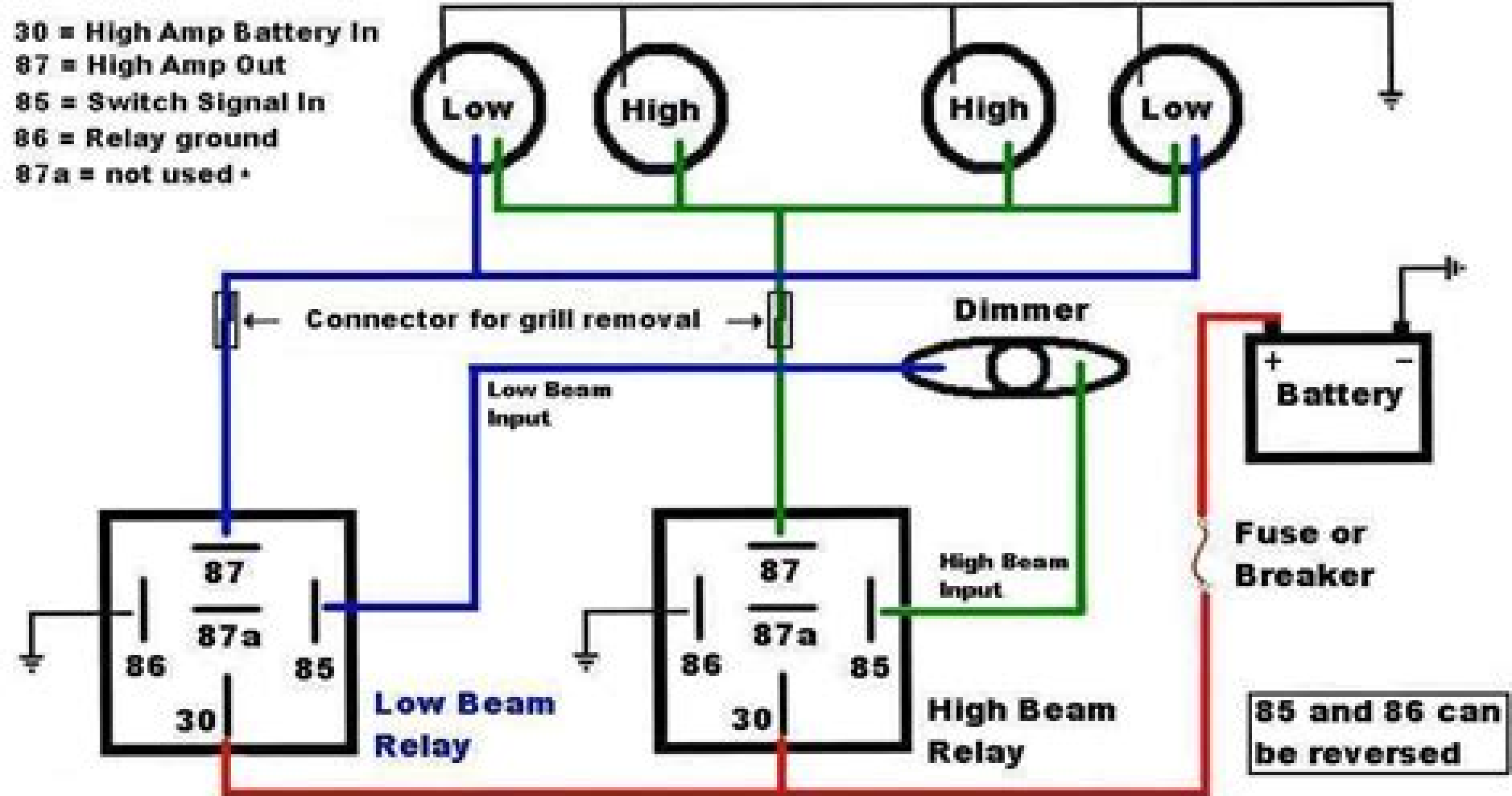


4 Headlamp relay Diagram



Headlamp harness should be upgraded to 14 ga wire throughout. OEM 1960 Chevy truck wiring shows 14 ga it green for high beams, 18 ga tan for low beams, 20 ga black grounds!

*87a is only found on SPDT relays. It is a normally closed high amp output and is hot when terminal 30 receives power. In this application there should be no wire attached to 87a.

Toyota Corolla Headlight Relay Wiring

Toyota Jidōsha Kabushiki Kaisha



Toyota Corolla Headlight Relay Wiring:

Toyota Corolla Service Manual, 1980, 1981, 1982, 1983 ,1983 The Toyota Truck Land Cruiser Owner s Bible TM is the authoritative companion book for your Toyota truck whether it s a heavy hauling pickup rugged off road FJ40 or a new Land Cruiser that s never left pavement Author veteran truck mechanic and off road expert Moses Ludel has written the only comprehensive source of information for Toyota Trucks and Land Cruisers a history buyer s guide service manual and high performance tuning book all in one Discover every aspect of Toyota trucks from their origins in 1958 to the latest technological advances You ll learn tips for buying the right new or used truck and which accessories make sense for your needs Step by step procedures with hundreds of photos cover basic maintenance and more complicated work like tune ups valve adjustments brake jobs and installing aftermarket suspension lift kits Get the hot set up for your truck whether you want low end torque or high RPM power Moses gives specific tuning recommendations for engines from the early inline 6s to the advanced 4 5L 24 valve DJ engine He shares expert insights into the best high performance components and the latest technology from Toyota Racing Development You ll also find suspension and chassis modifications and the best tire and wheel combinations

Toyota Corolla 1600 Service Manual Robert Bentley, inc,Robert Bently Publishers,Robert Bentley,1979 This Manual covers all the Corolla cars with the 1600 engine that have been sold in the United States and Canada for the Model Years 1975 1976 1977 1978 and 1979

Chilton's Repair & Tune-up Guide, Toyota Corolla, Carina, Tercel, Starlet, 1970-81 ,1981

Chilton's Repair & Tune-up Guide, Toyota Corolla/Carina, Tercel/Starlet, 1970-84 Chilton Book Company,1985

Automobile Design Liability Richard M. Goodman,1991

NHTSA's Defect and Recall Procedures United States. Congress. House. Committee on Energy and Commerce. Subcommittee on Telecommunications, Consumer Protection, and Finance,1983

Chilton's Toyota 1966 - 1970 Chilton Automotive Books,1970-11

Car and Driver ,1983

Toyota Corolla FF Electrical Wiring Diagram ,1983

Automotive Relay Circuit Guide Mandy Concepcion,2012-05-24 Automotive Relay Circuit Guide Includes circuit explanations how current flows and how to wire relays from the ground up By Mandy ConcepcionThis book is a comprehensive work on automotive relays and their circuit analysis The book is also a companion to our Video DVD series of the same title Here we analyze how automotive relays are connected with their peripheral components Each section starts with the specifics of the components used in that circuit and then there s a deep analysis of how current flows on the circuit The idea is to first explain and give the reader the particulars of each circuit then go deeper and analyze why the circuit behaves the way it does how to diagnose it and how to connect it in case the whole wiring is missing obsolete or simply was never present to begin with Table of Contents How to wire relay as ON button Explains how to connect an automotive relay to stay ON at all times Useful for any device that stays ON and using a low current trigger switch Turn ON relay button diode Details the use of a Diode as an ON circuit The diode itself is the key to it all How to make a relay injector security circuit This is a clever circuit for deactivating

your vehicle's fuel injectors as a security measure It's simple and concealed How to wire a relay starter kill switch Disabling the starter is fairly simple but this circuit also employs other tactics to make it more effective How to do a single relay car alarm Shows how to wire a relay as an easy to connect car alarm It'll show you a cost effective way to secure your car How to connect a power relay Gives you extensive input for connecting an automotive relay as a power unit or to drive almost any kind of device How to wire a cooling fan relay Useful in retrofitting an older systems to work with electric cooling fans and to replace an out of production fan with a universal unit How to connect a fuel pump relay There are many instances where the fuel pump has gone bad and no replacement is available Learn how this circuit works and how to wire the fuel pump How to do an alternator relay failure circuit A very clever circuit used as a warning to the driver when an impending alternator issue is at hand How to wire relay power door lock Power door locks have been around for many years This section shows you how the circuit works how to connect it retrofitting to an older car and how to repair the systems in case of failure How to wire a power windows relay Resistive rest at ground or any other wiring scheme is foreign to many people Learn how it works right here in this article How to make a relay turn signal Learn how to wire an entire high class turn signal system found on luxury makes Useful for retrofitting your own vehicle in case parts are no longer available How to wire an AC compressor clutch relay A very reliable circuit is presented here to help you understand an AC systems as well as teaches you to retrofit older cars How to connect a headlight warning relay Knowing when the headlights are down is essential This circuit will show you how the circuit works and how to build it How to wire an ECM relay The ECM relay meets all power requirements for the car computer Learn how the circuit works and how to connect it How to wire AC blower motor relay Get the details on connecting an AC blower motor and how to re wire a new one if needed How to wire relay fog lights Fog lights are necessary in many areas Most vehicles have no fog lights and this circuit is geared towards explaining how they work and install them

[Toyota Corolla FF](#) Toyota Jidōsha Kabushiki Kaisha, **1983 Toyota Corolla Electrical Wiring Diagram** Toyota Jidōsha Kōgyō Kabushiki Kaisha,1982 **Toyota Electrical Wiring Diagram** ,1981 **Toyota Corolla Repair Manual, 1982** ,1981 **Everything Electrical** Vincent Keler,2024 Learn How To Test All Relays And Its Related Circuits Fast You will discover how to never again misdiagnose any problem involving a relay and fix it right the first time Now in a new revised edition filled with new illustrations and explanations

Eventually, you will unquestionably discover a further experience and carrying out by spending more cash. still when? accomplish you recognize that you require to acquire those all needs similar to having significantly cash? Why dont you try to acquire something basic in the beginning? Thats something that will lead you to understand even more vis--vis the globe, experience, some places, bearing in mind history, amusement, and a lot more?

It is your unquestionably own times to produce a result reviewing habit. accompanied by guides you could enjoy now is **Toyota Corolla Headlight Relay Wiring** below.

https://about.livewellcolorado.org/book/virtual-library/index.jsp/Federal_Immigration_Laws_And_Regulations_1999.pdf

Table of Contents Toyota Corolla Headlight Relay Wiring

1. Understanding the eBook Toyota Corolla Headlight Relay Wiring
 - The Rise of Digital Reading Toyota Corolla Headlight Relay Wiring
 - Advantages of eBooks Over Traditional Books
2. Identifying Toyota Corolla Headlight Relay Wiring
 - Exploring Different Genres
 - Considering Fiction vs. Non-Fiction
 - Determining Your Reading Goals
3. Choosing the Right eBook Platform
 - Popular eBook Platforms
 - Features to Look for in an Toyota Corolla Headlight Relay Wiring
 - User-Friendly Interface
4. Exploring eBook Recommendations from Toyota Corolla Headlight Relay Wiring
 - Personalized Recommendations
 - Toyota Corolla Headlight Relay Wiring User Reviews and Ratings
 - Toyota Corolla Headlight Relay Wiring and Bestseller Lists
5. Accessing Toyota Corolla Headlight Relay Wiring Free and Paid eBooks

- Toyota Corolla Headlight Relay Wiring Public Domain eBooks
 - Toyota Corolla Headlight Relay Wiring eBook Subscription Services
 - Toyota Corolla Headlight Relay Wiring Budget-Friendly Options
6. Navigating Toyota Corolla Headlight Relay Wiring eBook Formats
 - ePub, PDF, MOBI, and More
 - Toyota Corolla Headlight Relay Wiring Compatibility with Devices
 - Toyota Corolla Headlight Relay Wiring Enhanced eBook Features
 7. Enhancing Your Reading Experience
 - Adjustable Fonts and Text Sizes of Toyota Corolla Headlight Relay Wiring
 - Highlighting and Note-Taking Toyota Corolla Headlight Relay Wiring
 - Interactive Elements Toyota Corolla Headlight Relay Wiring
 8. Staying Engaged with Toyota Corolla Headlight Relay Wiring
 - Joining Online Reading Communities
 - Participating in Virtual Book Clubs
 - Following Authors and Publishers Toyota Corolla Headlight Relay Wiring
 9. Balancing eBooks and Physical Books Toyota Corolla Headlight Relay Wiring
 - Benefits of a Digital Library
 - Creating a Diverse Reading Collection Toyota Corolla Headlight Relay Wiring
 10. Overcoming Reading Challenges
 - Dealing with Digital Eye Strain
 - Minimizing Distractions
 - Managing Screen Time
 11. Cultivating a Reading Routine Toyota Corolla Headlight Relay Wiring
 - Setting Reading Goals Toyota Corolla Headlight Relay Wiring
 - Carving Out Dedicated Reading Time
 12. Sourcing Reliable Information of Toyota Corolla Headlight Relay Wiring
 - Fact-Checking eBook Content of Toyota Corolla Headlight Relay Wiring
 - Distinguishing Credible Sources
 13. Promoting Lifelong Learning
 - Utilizing eBooks for Skill Development

- Exploring Educational eBooks
- 14. Embracing eBook Trends
 - Integration of Multimedia Elements
 - Interactive and Gamified eBooks

Toyota Corolla Headlight Relay Wiring Introduction

In this digital age, the convenience of accessing information at our fingertips has become a necessity. Whether its research papers, eBooks, or user manuals, PDF files have become the preferred format for sharing and reading documents. However, the cost associated with purchasing PDF files can sometimes be a barrier for many individuals and organizations. Thankfully, there are numerous websites and platforms that allow users to download free PDF files legally. In this article, we will explore some of the best platforms to download free PDFs. One of the most popular platforms to download free PDF files is Project Gutenberg. This online library offers over 60,000 free eBooks that are in the public domain. From classic literature to historical documents, Project Gutenberg provides a wide range of PDF files that can be downloaded and enjoyed on various devices. The website is user-friendly and allows users to search for specific titles or browse through different categories. Another reliable platform for downloading Toyota Corolla Headlight Relay Wiring free PDF files is Open Library. With its vast collection of over 1 million eBooks, Open Library has something for every reader. The website offers a seamless experience by providing options to borrow or download PDF files. Users simply need to create a free account to access this treasure trove of knowledge. Open Library also allows users to contribute by uploading and sharing their own PDF files, making it a collaborative platform for book enthusiasts. For those interested in academic resources, there are websites dedicated to providing free PDFs of research papers and scientific articles. One such website is Academia.edu, which allows researchers and scholars to share their work with a global audience. Users can download PDF files of research papers, theses, and dissertations covering a wide range of subjects. Academia.edu also provides a platform for discussions and networking within the academic community. When it comes to downloading Toyota Corolla Headlight Relay Wiring free PDF files of magazines, brochures, and catalogs, Issuu is a popular choice. This digital publishing platform hosts a vast collection of publications from around the world. Users can search for specific titles or explore various categories and genres. Issuu offers a seamless reading experience with its user-friendly interface and allows users to download PDF files for offline reading. Apart from dedicated platforms, search engines also play a crucial role in finding free PDF files. Google, for instance, has an advanced search feature that allows users to filter results by file type. By specifying the file type as "PDF," users can find websites that offer free PDF downloads on a specific topic. While downloading Toyota Corolla Headlight Relay Wiring free PDF files is convenient, its important to note that copyright laws must be respected. Always ensure that the PDF files you download are

legally available for free. Many authors and publishers voluntarily provide free PDF versions of their work, but its essential to be cautious and verify the authenticity of the source before downloading Toyota Corolla Headlight Relay Wiring. In conclusion, the internet offers numerous platforms and websites that allow users to download free PDF files legally. Whether its classic literature, research papers, or magazines, there is something for everyone. The platforms mentioned in this article, such as Project Gutenberg, Open Library, Academia.edu, and Issuu, provide access to a vast collection of PDF files. However, users should always be cautious and verify the legality of the source before downloading Toyota Corolla Headlight Relay Wiring any PDF files. With these platforms, the world of PDF downloads is just a click away.

FAQs About Toyota Corolla Headlight Relay Wiring Books

What is a Toyota Corolla Headlight Relay Wiring PDF? A PDF (Portable Document Format) is a file format developed by Adobe that preserves the layout and formatting of a document, regardless of the software, hardware, or operating system used to view or print it. **How do I create a Toyota Corolla Headlight Relay Wiring PDF?** There are several ways to create a PDF: Use software like Adobe Acrobat, Microsoft Word, or Google Docs, which often have built-in PDF creation tools. Print to PDF: Many applications and operating systems have a "Print to PDF" option that allows you to save a document as a PDF file instead of printing it on paper. Online converters: There are various online tools that can convert different file types to PDF. **How do I edit a Toyota Corolla Headlight Relay Wiring PDF?** Editing a PDF can be done with software like Adobe Acrobat, which allows direct editing of text, images, and other elements within the PDF. Some free tools, like PDFescape or Smallpdf, also offer basic editing capabilities. **How do I convert a Toyota Corolla Headlight Relay Wiring PDF to another file format?** There are multiple ways to convert a PDF to another format: Use online converters like Smallpdf, Zamzar, or Adobe Acrobats export feature to convert PDFs to formats like Word, Excel, JPEG, etc. Software like Adobe Acrobat, Microsoft Word, or other PDF editors may have options to export or save PDFs in different formats. **How do I password-protect a Toyota Corolla Headlight Relay Wiring PDF?** Most PDF editing software allows you to add password protection. In Adobe Acrobat, for instance, you can go to "File" -> "Properties" -> "Security" to set a password to restrict access or editing capabilities. Are there any free alternatives to Adobe Acrobat for working with PDFs? Yes, there are many free alternatives for working with PDFs, such as: LibreOffice: Offers PDF editing features. PDFsam: Allows splitting, merging, and editing PDFs. Foxit Reader: Provides basic PDF viewing and editing capabilities. How do I compress a PDF file? You can use online tools like Smallpdf, ILovePDF, or desktop software like Adobe Acrobat to compress PDF files without significant quality loss. Compression reduces the file size, making it easier to share and download. Can I fill out forms in a PDF file? Yes, most PDF viewers/editors like Adobe Acrobat, Preview (on Mac), or various online tools allow you to fill out

forms in PDF files by selecting text fields and entering information. Are there any restrictions when working with PDFs? Some PDFs might have restrictions set by their creator, such as password protection, editing restrictions, or print restrictions. Breaking these restrictions might require specific software or tools, which may or may not be legal depending on the circumstances and local laws.

Find Toyota Corolla Headlight Relay Wiring :

federal immigration laws and regulations 1999

audi a6 manual transmission fluid

~~navidrive user manual~~

ags united states history workbook answer key

97 mitsubishi mirage manual

iterative incomplete factorization methods

70 series iec 61850 protocol manual

1989 chevy silverado manual

~~earth science guided study workbook answers 22~~

~~navion ch 180-210-240 installation manual user guide~~

manual da impressora epson stylus cx7300

ecological stoichiometry the biology of elements from molecules to the biosphere

1994 jeep cherokee xj workshop service manual

manual da hp12c platinum

~~be kind to one another coloring pages~~

Toyota Corolla Headlight Relay Wiring :

Imusti ???????? (Krishnayan): Kaajal Oza Vaidya (Author) Book details · Language. Gujarati · Publisher. Navbharat · Publication date. January 1, 2013 · Dimensions. 0.79 x 8.66 x 11.02 inches · ISBN-10. 8184401981 · ISBN-13. Krishnayan: Vaidya, Kaajal Oza: 9788194879008 Indisputably the biggest bestseller of all time in Gujarati literature—having sold over 200,000 copies and gone into more than twenty-eight editions—it is a ... Krishnayan (English Language) | Kaajal Oza Vaidya Krishnayan (English Language). Home /; Authors /; Kaajal Oza Vaidya /; Krishnayan (English Language). - 15 %. Krishnayan (English Language). □□□□□□□□ by Kaajal Oza Vaidya This book, Krishnayan, is nothing less than magic, recounting the final

moments of Krishna and the thoughts that could have crossed his human mind. Sitting ... Krishnayan Gauraksha : Online Cow Donation in India Our goal is to inspire people to serve the native Indian cows and produce pure milk for the country and teach them to become self-reliant by keeping a desi cow. krishnayan Krishnayan (Gujarati Edition) by Kaajal Oza Vaidya and a great selection of related books, art and collectibles available now at AbeBooks.com. Krishnayan Gujarati Edition , Pre-Owned Paperback ... Krishnayan Gujarati Edition. Krishnayan Gujarati Edition , Pre-Owned Paperback 8184401981 9788184401981 Kaajal Oza Vaidya. Publisher, Navbharat Sahitya Mandir. 'Krishnayan': The women in Krishna's life talk about him ... Feb 3, 2021 — The mind controls the body as per its will. While women dance to its tunes, men are slaves to intellect, they measure and weigh everything by it ... { Book Review } - Krishnayan by Kajal Oza Vaidya Jun 16, 2017 — Krishnayan is in a way, a retelling of a lifetime that Lord Vishnu spends walking this earth as a mortal. It mainly focuses on his relationships ... Mark Scheme (Results) Summer 2015 Edexcel and BTEC qualifications are awarded by Pearson, the UK's largest awarding body. We provide a wide range of qualifications including academic, ... Mark Scheme (Results) Summer 2015 Edexcel and BTEC qualifications are awarded by Pearson, the UK's largest awarding body. We provide a wide range of qualifications including academic, ... Mark Scheme (Results) Summer 2015 Edexcel and BTEC qualifications are awarded by Pearson, the UK's largest awarding body. We provide a wide range of qualifications including academic, June 2015 Paper 4H. We have used B marks, M marks and A marks in a similar, but not identical, way that the exam board uses these marks within their mark schemes. We have done this ... Mark Scheme (Results) Summer 2015 Edexcel and BTEC qualifications are awarded by Pearson, the UK's largest awarding body. We provide a wide range of qualifications including academic, ... Mark Scheme (Results) Summer 2015 Edexcel and BTEC qualifications are awarded by Pearson, the UK's largest awarding body. We provide a wide range of qualifications including academic, ... Mark Scheme (Results) Summer 2015 The Edexcel Mathematics mark schemes use the following types of marks: • M marks: Method marks are awarded for 'knowing a method and attempting to apply it ... Mark Scheme (Results) Summer 2015 Edexcel and BTEC qualifications are awarded by Pearson, the UK's largest awarding body. We provide a wide range of qualifications including academic, ... Mark Scheme (Results) Summer 2015 Jun 9, 2015 — 2. The Edexcel Mathematics mark schemes use the following types of marks: 'M' marks. These are marks given for a correct method or an ... Edexcel - C4 June 2015 Jun 4, 2015 — Edexcel - C4 June 2015. Paper Info... Question Paper: View Official Paper; Mark Scheme: View Mark scheme; Examiners' Report: View Examiners ... Clymer Repair Manual for Harley FLH FLT Twin Cam 88 ... Clymer Repair Manual for Harley FLH FLT Twin Cam 88 99-05 ; Quantity:1 ; Features & details · Clymer Harley-Davidson FLH/FLT Twin Cam 88 & 103 (1999-2005) (53152) ... Harley Twin Cam 88, Road King Repair Manual 1999-2010 This Motor Bookstore Bestseller repair manual by Haynes covers all models of Harley-Davidson Twin Cam 88, 96, and 103 models, including:. 1999-05 Dyna Service Manual This detailed and comprehensive manual covers the Harley-Davidson Dyna Glide Twin Cam 88 model from 1999-on. Procedures and

specifications. Harley-Davidson Twin Cam 88, 96 & 103 Models (99 - 10) ... Haynes repair manuals provide expert information and valuable details you won't find in online crowd-sourced information: Over 500 repair and maintenance ... Harley-Davidson Flh/Flt Twin Cam 88 & 103 1999-2005 ... Harley-Davidson Flh/Flt Twin Cam 88 & 103 1999-2005 (Clymer Manuals). €41,87 €49 ... Clymer Harley-Davidson FXD Evolution 1991-1998 repair manual is written ... Harley Davidson Twin Cam 88 96 103 Workshop Service ... Complete coverage for your Harley-Davidson Twin Cam 88, 96 and 103 Models 1999 to 2010 Routine Maintenance and servicing Tune-up procedures Engine, ... Harley Davidson FLH, FLT Twin Cam Service & Repair ... This service manual contains many original photographs, illustrations and wiring diagrams obtained from the complete teardown and rebuild of the Harley Davidson ... Clymer Harley-Davidson FLH/FLT Twin Cam 88 & 103 99- ... Clymer motorcycle repair manuals are written specifically for the do-it-yourself enthusiast. From basic maintenance to troubleshooting to complete overhaul, ... Clymer M430-4 Service Shop Repair Manual Harley FLH ... Complete Maintenance and repair information. Detailed photos and illustrations guide you through every job. Easy to find and easy to use do-it-yourself content.