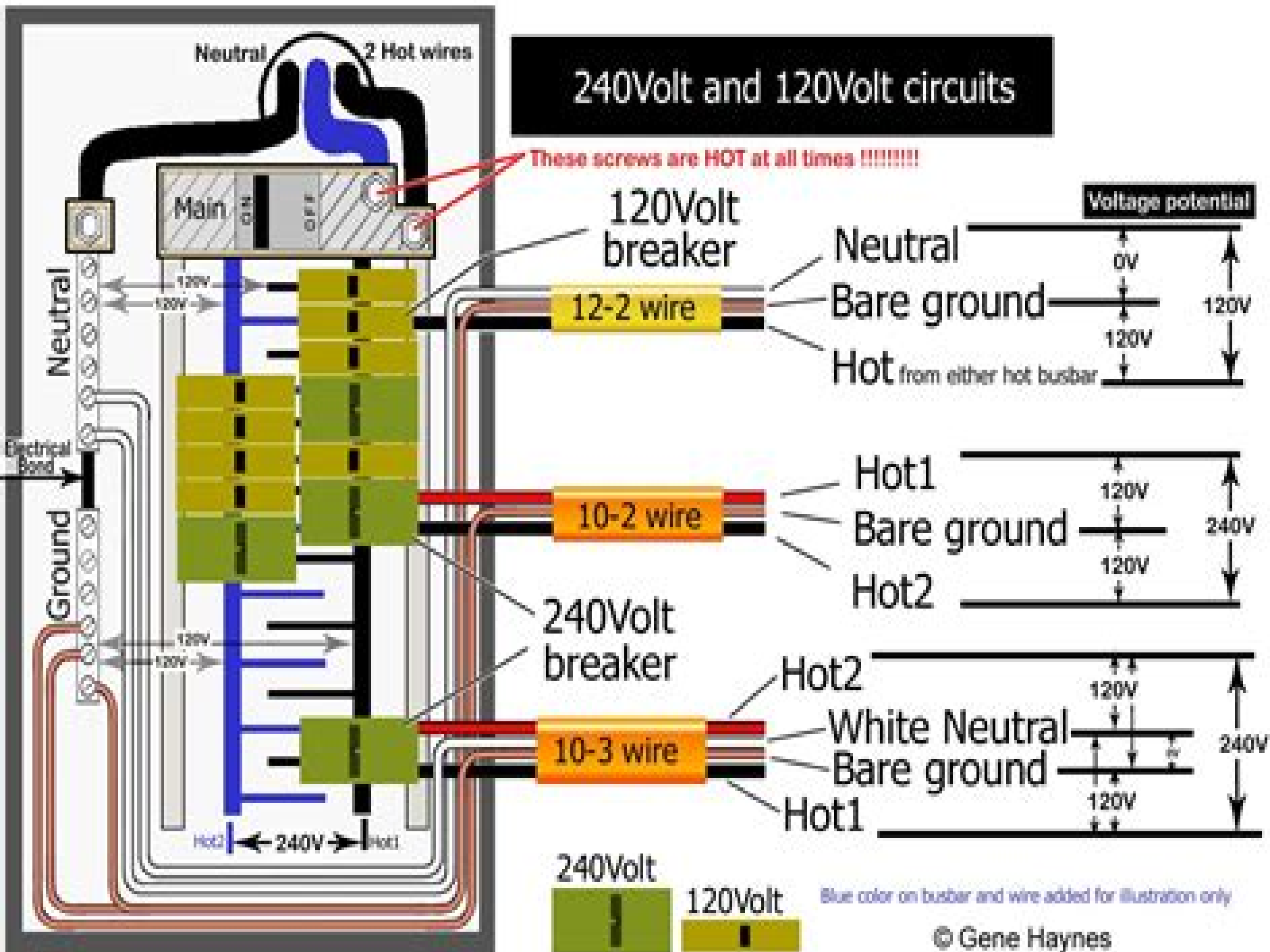


# 240Volt and 120Volt circuits

These screws are HOT at all times !!!!!!!!!!!



# Wire Diagram 440 Volt

**J Elliott**



## Wire Diagram 440 Volt:

Drawings for the Fort Loudoun Project Tennessee Valley Authority. Divisions of Engineering and Construction,1950

**Drawings for the Watts Bar Project** ,1948 *Modern Wiring Diagrams and Descriptions* Henry Charles

Horstmann,Victor Hugo Tousley,1918 Drawings for the Pickwick Landing Project Tennessee Valley Authority.

Engineering and Construction Departments,1948 **Power Wiring Diagrams** A. T. Dover,1917 *Drawings for the*

*Cherokee Project* ,1947 Drawings for the South Holston Project Tennessee Valley Authority. Engineering and

Construction Divisions,1956 The plates list all drawings prepared in connection with the design and construction of the

South Holston Dam powerhouse and appurtenant structures *Electrical Machinery and Control Diagrams* Terrell

Croft,1924 Drawings for the Chickamauga Project Tennessee Valley Authority,1948 Starting, Lighting and Ignition

Systems, Elementary Principles, Practical Application, Wiring Diagrams and Repair Hints Victor Wilfred Pagé,1916

**Brotherhood of Locomotive Firemen and Enginemen's Magazine** ,1918 **Proceedings** United States. Merchant

Marine Council,1944 **Power** ,1921 Proceedings of the Merchant Marine Council United States. Merchant Marine

Council,1945 **Engineering and Mining Journal** ,1908 *Scientific American* ,1914 **PRWRA-GNEC** ,1962

Bulletin United States. Bureau of Mines,1932 **Shaft-sinking Practices and Costs** Eugene Delos Gardner,John

Frederick Johnson,1932 Permissible Electric Cap Lamps and Ventilation in Certain California Mines and Water-tunnel

Construction Lee Clyde Ilsley,Charles Freeman Jackson,Eugene Delos Gardner,Simon Harry Ash,William Waugh

Adams,George Samuel Rice,Harold Putnam Greenwald,Alva Britt Hooker,John Ballantine Knaebel,John Frederick

Johnson,Joseph Holbrook Rankin,Earl Jeffries Coggeshall,1932

This is likewise one of the factors by obtaining the soft documents of this **Wire Diagram 440 Volt** by online. You might not require more grow old to spend to go to the ebook creation as without difficulty as search for them. In some cases, you likewise do not discover the broadcast Wire Diagram 440 Volt that you are looking for. It will extremely squander the time.

However below, subsequent to you visit this web page, it will be so no question easy to get as without difficulty as download lead Wire Diagram 440 Volt

It will not recognize many epoch as we tell before. You can pull off it though law something else at house and even in your workplace. appropriately easy! So, are you question? Just exercise just what we have enough money below as competently as review **Wire Diagram 440 Volt** what you behind to read!

[https://about.livewellcolorado.org/About/browse/Download\\_PDFS/study\\_guide\\_lesson\\_1\\_what\\_is\\_philosophy.pdf](https://about.livewellcolorado.org/About/browse/Download_PDFS/study_guide_lesson_1_what_is_philosophy.pdf)

## **Table of Contents Wire Diagram 440 Volt**

1. Understanding the eBook Wire Diagram 440 Volt
  - The Rise of Digital Reading Wire Diagram 440 Volt
  - Advantages of eBooks Over Traditional Books
2. Identifying Wire Diagram 440 Volt
  - Exploring Different Genres
  - Considering Fiction vs. Non-Fiction
  - Determining Your Reading Goals
3. Choosing the Right eBook Platform
  - Popular eBook Platforms
  - Features to Look for in an Wire Diagram 440 Volt
  - User-Friendly Interface
4. Exploring eBook Recommendations from Wire Diagram 440 Volt
  - Personalized Recommendations

- Wire Diagram 440 Volt User Reviews and Ratings
- Wire Diagram 440 Volt and Bestseller Lists
- 5. Accessing Wire Diagram 440 Volt Free and Paid eBooks
  - Wire Diagram 440 Volt Public Domain eBooks
  - Wire Diagram 440 Volt eBook Subscription Services
  - Wire Diagram 440 Volt Budget-Friendly Options
- 6. Navigating Wire Diagram 440 Volt eBook Formats
  - ePub, PDF, MOBI, and More
  - Wire Diagram 440 Volt Compatibility with Devices
  - Wire Diagram 440 Volt Enhanced eBook Features
- 7. Enhancing Your Reading Experience
  - Adjustable Fonts and Text Sizes of Wire Diagram 440 Volt
  - Highlighting and Note-Taking Wire Diagram 440 Volt
  - Interactive Elements Wire Diagram 440 Volt
- 8. Staying Engaged with Wire Diagram 440 Volt
  - Joining Online Reading Communities
  - Participating in Virtual Book Clubs
  - Following Authors and Publishers Wire Diagram 440 Volt
- 9. Balancing eBooks and Physical Books Wire Diagram 440 Volt
  - Benefits of a Digital Library
  - Creating a Diverse Reading Collection Wire Diagram 440 Volt
- 10. Overcoming Reading Challenges
  - Dealing with Digital Eye Strain
  - Minimizing Distractions
  - Managing Screen Time
- 11. Cultivating a Reading Routine Wire Diagram 440 Volt
  - Setting Reading Goals Wire Diagram 440 Volt
  - Carving Out Dedicated Reading Time
- 12. Sourcing Reliable Information of Wire Diagram 440 Volt
  - Fact-Checking eBook Content of Wire Diagram 440 Volt

- Distinguishing Credible Sources
- 13. Promoting Lifelong Learning
  - Utilizing eBooks for Skill Development
  - Exploring Educational eBooks
- 14. Embracing eBook Trends
  - Integration of Multimedia Elements
  - Interactive and Gamified eBooks

### **Wire Diagram 440 Volt Introduction**

Wire Diagram 440 Volt Offers over 60,000 free eBooks, including many classics that are in the public domain. Open Library: Provides access to over 1 million free eBooks, including classic literature and contemporary works. Wire Diagram 440 Volt Offers a vast collection of books, some of which are available for free as PDF downloads, particularly older books in the public domain. Wire Diagram 440 Volt : This website hosts a vast collection of scientific articles, books, and textbooks. While it operates in a legal gray area due to copyright issues, its a popular resource for finding various publications. Internet Archive for Wire Diagram 440 Volt : Has an extensive collection of digital content, including books, articles, videos, and more. It has a massive library of free downloadable books. Free-eBooks Wire Diagram 440 Volt Offers a diverse range of free eBooks across various genres. Wire Diagram 440 Volt Focuses mainly on educational books, textbooks, and business books. It offers free PDF downloads for educational purposes. Wire Diagram 440 Volt Provides a large selection of free eBooks in different genres, which are available for download in various formats, including PDF. Finding specific Wire Diagram 440 Volt, especially related to Wire Diagram 440 Volt, might be challenging as theyre often artistic creations rather than practical blueprints. However, you can explore the following steps to search for or create your own Online Searches: Look for websites, forums, or blogs dedicated to Wire Diagram 440 Volt, Sometimes enthusiasts share their designs or concepts in PDF format. Books and Magazines Some Wire Diagram 440 Volt books or magazines might include. Look for these in online stores or libraries. Remember that while Wire Diagram 440 Volt, sharing copyrighted material without permission is not legal. Always ensure youre either creating your own or obtaining them from legitimate sources that allow sharing and downloading. Library Check if your local library offers eBook lending services. Many libraries have digital catalogs where you can borrow Wire Diagram 440 Volt eBooks for free, including popular titles. Online Retailers: Websites like Amazon, Google Books, or Apple Books often sell eBooks. Sometimes, authors or publishers offer promotions or free periods for certain books. Authors Website Occasionally, authors provide excerpts or short stories for free on their websites. While this might not be the Wire Diagram 440 Volt full book , it can give you a taste of the authors writing style. Subscription Services Platforms

like Kindle Unlimited or Scribd offer subscription-based access to a wide range of Wire Diagram 440 Volt eBooks, including some popular titles.

### **FAQs About Wire Diagram 440 Volt Books**

How do I know which eBook platform is the best for me? Finding the best eBook platform depends on your reading preferences and device compatibility. Research different platforms, read user reviews, and explore their features before making a choice. Are free eBooks of good quality? Yes, many reputable platforms offer high-quality free eBooks, including classics and public domain works. However, make sure to verify the source to ensure the eBook credibility. Can I read eBooks without an eReader? Absolutely! Most eBook platforms offer webbased readers or mobile apps that allow you to read eBooks on your computer, tablet, or smartphone. How do I avoid digital eye strain while reading eBooks? To prevent digital eye strain, take regular breaks, adjust the font size and background color, and ensure proper lighting while reading eBooks. What the advantage of interactive eBooks? Interactive eBooks incorporate multimedia elements, quizzes, and activities, enhancing the reader engagement and providing a more immersive learning experience. Wire Diagram 440 Volt is one of the best book in our library for free trial. We provide copy of Wire Diagram 440 Volt in digital format, so the resources that you find are reliable. There are also many Ebooks of related with Wire Diagram 440 Volt. Where to download Wire Diagram 440 Volt online for free? Are you looking for Wire Diagram 440 Volt PDF? This is definitely going to save you time and cash in something you should think about. If you trying to find then search around for online. Without a doubt there are numerous these available and many of them have the freedom. However without doubt you receive whatever you purchase. An alternate way to get ideas is always to check another Wire Diagram 440 Volt. This method for see exactly what may be included and adopt these ideas to your book. This site will almost certainly help you save time and effort, money and stress. If you are looking for free books then you really should consider finding to assist you try this. Several of Wire Diagram 440 Volt are for sale to free while some are payable. If you arent sure if the books you would like to download works with for usage along with your computer, it is possible to download free trials. The free guides make it easy for someone to free access online library for download books to your device. You can get free download on free trial for lots of books categories. Our library is the biggest of these that have literally hundreds of thousands of different products categories represented. You will also see that there are specific sites catered to different product types or categories, brands or niches related with Wire Diagram 440 Volt. So depending on what exactly you are searching, you will be able to choose e books to suit your own need. Need to access completely for Campbell Biology Seventh Edition book? Access Ebook without any digging. And by having access to our ebook online or by storing it on your computer, you have convenient answers with Wire Diagram 440 Volt To get started

finding Wire Diagram 440 Volt, you are right to find our website which has a comprehensive collection of books online. Our library is the biggest of these that have literally hundreds of thousands of different products represented. You will also see that there are specific sites catered to different categories or niches related with Wire Diagram 440 Volt So depending on what exactly you are searching, you will be able to choose ebook to suit your own need. Thank you for reading Wire Diagram 440 Volt. Maybe you have knowledge that, people have search numerous times for their favorite readings like this Wire Diagram 440 Volt, but end up in harmful downloads. Rather than reading a good book with a cup of coffee in the afternoon, instead they juggled with some harmful bugs inside their laptop. Wire Diagram 440 Volt is available in our book collection an online access to it is set as public so you can download it instantly. Our digital library spans in multiple locations, allowing you to get the most less latency time to download any of our books like this one. Merely said, Wire Diagram 440 Volt is universally compatible with any devices to read.

### **Find Wire Diagram 440 Volt :**

study guide lesson 1 what is philosophy

**study guide for wastewater analyst in georgia**

**study guide for frankenstein answers**

**study guide for emr test**

study guide for nes test subtests arizona

study guide for student old yeller

study guide for government final exam

study guide nuclear chemistry pearson education

**study guide for pearson western heritage**

study guide for world history staar eoc

study guide intervention algebra 1 and answer

**study guide macroeconomics 3e krugman wells**

**study guide for class e missouri license**

**study guide light and quantized answer**

study guide for natural resource energy



**Wire Diagram 440 Volt :**

*transgender medicine a multidisciplinary approach a multidisciplinary* - Aug 17 2023

web jan 1 2019 request pdf transgender medicine a multidisciplinary approach a multidisciplinary approach although transgender persons have been present in various societies throughout human history

*transgender medicine a multidisciplinary approach worldcat org* - Jul 04 2022

web transgender medicine a multidisciplinary approach leonid poretsky wylie c hembree although transgender persons have been present in various societies throughout human history it is only during the last several years that they have become widely acknowledged in our society and

**endocrinology of transgender medicine pubmed** - Jan 10 2023

web feb 1 2019 gender affirming treatment of transgender people requires a multidisciplinary approach in which endocrinologists play a crucial role the aim of this paper is to review recent data on hormonal treatment of this population and its effect on physical psychological and mental health

**transgender medicine a multidisciplinary approach** - Jun 15 2023

web mar 15 2019 transgender medicine a multidisciplinary approach contemporary endocrinology 9783030056827 medicine health science books amazon com

**transgender care and medical education a multidisciplinary approach** - May 14 2023

web jan 1 2019 request pdf transgender care and medical education a multidisciplinary approach our review outlines the historical background and current state of transgender medical education

**endocrinology of transgender medicine oxford academic** - Apr 13 2023

web oct 10 2018 gender affirming treatment of transgender people requires a multidisciplinary approach in which endocrinologists play a crucial role the aim of this paper is to review recent data on hormonal treatment of this population and its effect on physical psychological and mental health

**taking a multidisciplinary approach to transgender care** - Nov 08 2022

web jun 24 2021 in order to streamline this cleveland clinic s transgender medicine surgery program takes a multidisciplinary approach to transgender care and eight specialists including a primary care specialist an endocrinologist surgeons and mental health providers work collaboratively to ensure patients are on the best and most

*transgender medicine a multidisciplinary approach* - Jul 16 2023

web feb 22 2019 while transgender medicine is intended primarily for endocrinologists this book will be also useful to primary care physicians surgeons providing gender confirming procedures mental health

[transgender medicine a multidisciplinary approach](#) - Jan 30 2022

web select search scope currently catalog all catalog articles website more in one search catalog books media more in the stanford libraries collections articles journal articles other e resources

**gender dysphoria optimizing healthcare for transgender and** - Mar 12 2023

web feb 28 2023 comprehensive multidisciplinary care includes both medical and mental health providers who work collaboratively with tgd youth and their caregivers to assess gender related support needs and facilitate access to developmentally appropriate medical and mental health interventions

*multidisciplinary care and the standards of care for transgender* - Dec 09 2022

web in providing care to transgender patients surgeons interact with health care providers of other disciplines including medical and mental health providers mental health or medical providers often see a patient first when hormones are initiated the standards of care recommend that mental health p

**coordination of healthcare for transsexual persons a multidisciplinary** - Feb 28 2022

web purpose of review to describe the experience in spain concerning the public healthcare for transsexual persons using a multidisciplinary approach and to review the relevant literature treatment includes social and psychological support cross hormone treatment and sex reassignment surgeries

building a multidisciplinary academic surgical gender affirm lww - Aug 05 2022

web essment endocrine therapy physical therapy research and the full spectrum of surgical services devoted to transgender patients this article describes our experience on building a specialized multidisciplinary academic state of the art gender affirmation program methods herein we describe the main and critical components on how to build a

**transgender medicine a multidisciplinary approach springerlink** - Sep 18 2023

web this timely book addresses all aspects of medical and surgical care for transgender patients both endocrine and non endocrine including discussion of psychological legal ethical and social issues surrounding transgender patient care and additional resources

**transgender medicine a multidisciplinary approach hardcover** - Jun 03 2022

web mar 2 2019 while transgender medicine is intended primarily for endocrinologists this book will be also useful to primary care physicians surgeons providing gender confirming procedures mental health professionals participating in the care of transgender persons and medical residents and students

**primary care of transgender adults a multidisciplinary approach** - Feb 11 2023

web feb 23 2019 primary care of transgender adults a multidisciplinary approach authors asa radix request full text abstract transgender and gender non binary people have become more visible and accepted in

transgender medicine a multidisciplinary approach abebooks - Oct 07 2022

web transgender medicine a multidisciplinary approach poretsky leonid edt hembree wylie c edt published by springer 2019 isbn 10 3030056821 isbn 13 9783030056827 new hardcover quantity 1 seller greatbookprices columbia md

*endocrine management of transgender adults a clinical approach* - Sep 06 2022

web feb 1 2021 the attention to transgender medicine has changed over the last decade and the interest is most likely going to increase in the future due to the fact that gender affirming treatments are now being requested by an increasing number of transgender people

**transgender medicine a multidisciplinary approach goodreads** - Apr 01 2022

web mar 15 2019 transgender medicine a multidisciplinary approach by leonid poretsky goodreads jump to ratings and reviews want to read kindle 135 20 rate this book transgender medicine a multidisciplinary approach leonid poretsky editor wylie c hembree editor 0 00 0 ratings0 reviews

**review of medical socioeconomic and systemic barriers to transgender** - May 02 2022

web jan 1 2019 request pdf review of medical socioeconomic and systemic barriers to transgender care a multidisciplinary approach transgender individuals face many barriers to accessing medical care in

**penal code northern states federal provisions** - Oct 22 2023

web 410 treason 411 punishment for treason 412 treasonable crimes 413 inciting to mutiny 414 causing disaffection among soldiers police or prison officers 415 assisting or allowing escape of prisoners of war chapter xxvii sedition 416 inciting disaffection to the government 417 exciting hatred between classes 418

**natlex record details international labour organization** - Dec 12 2022

web supplements the penal code of the northern states in respect to offences against the state treason sedition customs offences

**nigeria penal code act women and justice us law lii** - Mar 15 2023

web nigeria penal code act the penal code applies to the northern states of nigeria section 55 1 d subject to customs that have been recognized as lawful allows a husband to correct his wife as long as it does not amount to grievous hurt

**nigeria s sharia penal codes by philip ostien ssrn** - Jul 07 2022

web aug 27 2009 the essay begins with a brief history of the penal law of the northern states of nigeria from the colonial period up to 1999 2000 ostien philip nigeria s sharia penal codes august 24 2009 sharia implementation in northern nigeria 1999 2006 a sourcebook vol iv chapter 4 pp 3 21 philip ostien

**pdf nigeria s sharia penal codes researchgate** - Jan 13 2023

web article nigeria developments in the criminal law economic and business crimes december 1997 journal of financial crime g n k vukor quarshie it has become increasingly popular and

**northern nigeria the penal code equality now** - Jun 06 2022

web nov 4 2021 discriminatory laws november 4 2021 section 55 1 d of the penal code of northern nigeria provides that an assault by a man on a woman is not an offense if they are married if native law or custom recognizes such correction as lawful and if there is no grievous hurt country nigeria law status discriminatory law in force

**the penal code act sabilaw** - Aug 20 2023

web apr 24 2022 the penal code act is the law concerning offenses and their punishment and it is applicable in the northern part of nigeria the act was adopted on the 30th day of september 1960 the penal code act contains a total of 25 chapters and 410 sections click to download a copy of the penal code act

**plac 2004 laws of nigeria** - Jun 18 2023

web penal code northern states federal provisions act arrangement of sections section 1 short title interpretation application of provisions of schedule as law of northern states punishment of offences in schedule committed in northern states circumstances in which provisions of schedule apply repeal of cap c38 in

*an access to criminal laws in nigeria sabilaw* - Oct 10 2022

web dec 4 2020 one is the penal code law this is for state offences like stealing rape arson and murder and the other is the penal code northern states federal provisions act no 25 of 1960 this is for federal offences like treason sedition customs offences so states in the northern part of nigeria enacted their penal code law in

[the insanity defense under nigerian law springerlink](#) - Apr 04 2022

web the penal code is based on the sudanese penal code which is based on the indian penal code the courts in the northern states have always been guided by the interpretation of the courts in india on similar provisions in the nigerian penal code google scholar chap 62 laws of the federation of nigeria

**this law applies in the northern states of nigeria penal code** - Nov 11 2022

web penal code northern states federal provisions act chapter 345 of the laws of the federation of nigeria revised ed 1990 articles 232 236 criminal code act chapter 77 of the laws of the federation of nigeria revised ed

**law of nigeria wikipedia** - May 17 2023

web the nigerian penal code also known as the penal code of northern nigeria is currently chapter 89 of the laws of northern nigeria 1963 it applies only to the northern muslim dominated states since 1960 it was originally introduced on 30 september 1960 derived from the sudanese penal code which in turn was derived from the indian penal code

*arrangements of sections nigerian penal code act* - Apr 16 2023

web nov 15 2021 northern states hereinafter referred to as the penal code of the northern states schedule 2 the provisions of chapter i to chapter vi of the penal code of the northern

**the penal code of northern states of nigeria law insider** - Aug 08 2022

web related to the penal code of northern states of nigeria municipal code of chicago or mcc means the municipal code of the city of chicago the commonwealth act means the legislation of the commonwealth parliament by which this agreement is authorized to be executed by or on behalf of the commonwealth state grid code means the grid code

**northern states to review penal code law thenigerialawyer** - Sep 09 2022

web unini chioma march 6 2020 governments in the 19 northern states have resolved to review its penal code laws to take care of present day challenges the attorney general and commissioner for justice in niger state mr nasara danmalam disclosed this in

the penal code northern states federal provisions act - Sep 21 2023

web apr 24 2022 click to download the copy of the penal code northern states federal provisions act the penal code northern states federal provisions act no 25 of 1960 was adopted on the 30th of september 1960 the act is captured in laws of the federation of nigeria 1990 revised edition vol 19 at pages 12576 12592

**nigerian penal code for northern states 2023** - May 05 2022

web nigerian penal code for northern states northern mariana islands commonwealth code nov 13 2022 sessional papers nov 01 2021 title 5 uniform commercial code title 6 crimes criminal procedure apr 06 2022 revised code of north carolina enacted by the general assembly at the session of 1854 oct 12 2022

*chapter42 criminal procedure northern states* - Feb 14 2023

web an act to make new provisions for the jurisdiction powers practice and procedure of the courts of the northern state of nigeria in respect of federal offences to continue certain inter state arrangements provided for in the criminal procedure act and for purposes ancillary to the matters aforesaid 1960 no 20 commencement

nigerian penal code northern states federal provisions act - Mar 03 2022

web apr 30 2021 click around other nigerian laws constitution 1999 crime code act administration are crook justice act 2015 evidence perform 2011 landings use act 1978 choice act 2022 labors act bofia 2020 bill of tausche act lfn 1990 nigerian penal code northern states federal provisions action chapter p3 laws of the

*penal code northern states federal provisions act* - Jul 19 2023

web sep 17 2019 penal code northern states federal provisions act admin september 17 2019 laws of the federation arrangement of sections section 1 short title interpretation application of provisions of schedule as law of northern states punishment of offences in schedule committed in northern states circumstances in

**vacutap vr reinhausen** - Aug 15 2023

web universal on load tap changer in vacuum technology for transformers with special power requirements vacutap vr is the

most powerful on load tap changer in vacuum  
*vacutap rmv ii reinhausen* - Oct 25 2021

**en on load tap changer vacutap vt reinhausen** - Oct 05 2022

web vacutap technology offers nearly maintenance free on load tap changers for all electrical energy supply applications testing beyond standards for all products in mr s

**on load tap changers reinhausen** - Jun 13 2023

web the serial numbers of on load tap changer and on load tap changer acces sories drive drive shaft bevel gear protective relay etc must match if the on load tap changer and

*the power behind power operating instructions* - Mar 30 2022

web compact integrated on load tap changer for dry type transformers air insulated on load tap changer in vacuum technology with integrated drive and automatic voltage regulator

**a new level of power onload reinhausen** - Sep 04 2022

web universal on load tap changer for dry type transformers air insulated on load tap changer in vacuum technology for controllable cast resin insulated distribution

**vacutap vv reinhausen** - Jun 01 2022

web the serial numbers of on load tap changer and on load tap changer acces sories drive drive shaft bevel gear protective relay etc must match if the on load tap changer and

**vacutap vrl reinhausen** - Jul 14 2023

web newsroom downloads contact myreinhausen language downloads contact myreinhausen language

**the power behind power operating instructions** - Apr 11 2023

web vacutap on load tap changers are demonstrating their value around the world thanks to their unmatched ruggedness reliability and economical operation they are efective

**on load tap changer vacutap v v studylib net** - Jul 02 2022

web the most compact on load tap changer in vacuum design for use in small and medium network transformers vacutap vvs impresses with a combination of small size

**mr vacutap vms operating instructions manual** - Aug 03 2022

web the serial numbers of on load tap changer and on load tap changer acces sories drive drive shaft bevel gear protective relay etc must match if the on load tap changer and

**vacutap vvs reinhausen** - Feb 26 2022

web our first reactor type on load tap changer with vacuum interrupters developed in the 1980s specially for use in north america vacutap rmv impresses with its universal

**the power behind power operating instructions** - Jan 28 2022

**vacutap vt reinhausen** - Apr 30 2022

web vacutap vbo is retrofit compatible flange mounting and winding connection are identical to existing at on load tap changer design innovative direct drive technology

*en on load tap changer vacutap vr i hd ex reinhausen com* - Mar 10 2023

web 4 star point on load tap changer and 300 a variant available up to max u 245 kv vacutap vms available up to max 170 kv vacutap vm on load tap

vacutap avt reinhausen - Nov 25 2021

**vacutap vr maximum performance maximally** - Feb 09 2023

web the serial numbers of on load tap changer and on load tap changer accessories drive drive shaft bevel gear protective relay etc must match if the on load tap changer and

vacutap vm reinhausen - Dec 07 2022

web danger of severe injury or death if on load tap changer and transformer are insufficiently tested be sure to contact maschinenfabrik reinhausen to check on load tap changer

**vacutap vr reinhausen** - May 12 2023

web the serial numbers of on load tap changer and on load tap changer accessories drive drive shaft bevel gear protective relay etc must match if the on load tap changer and

**vacutap vm uniquely versatile uniquely fit for** - Jan 08 2023

web the vacutap vr is fit for the future the completely redesigned selector range increases the tap changing capacity of the change over selector significantly and

*vacutap vbo reinhausen* - Dec 27 2021

mr vacutap vr series installation and - Nov 06 2022

web on load tap changer vacutap v v advertisement related documents here is a free set of newborn infant visual stimuli women in science conference march 21 2009 13