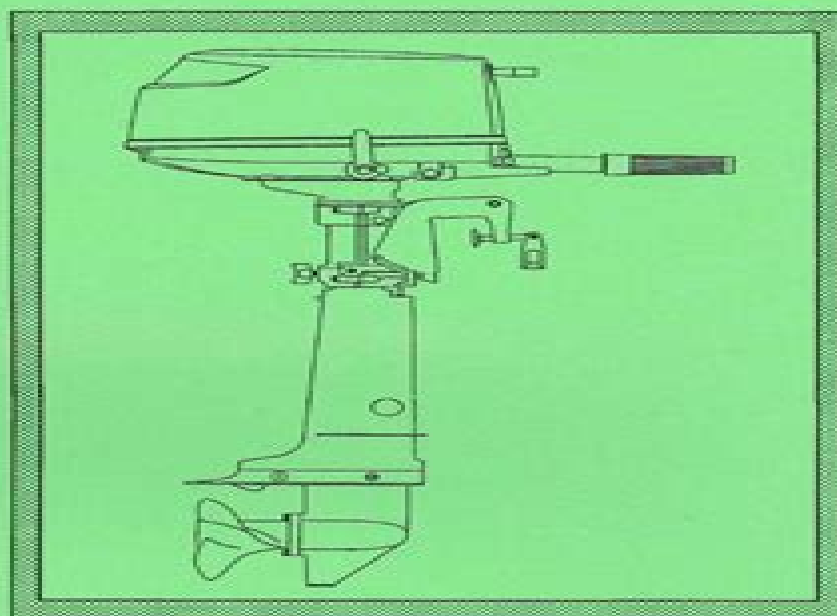


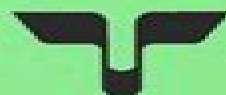
TOHATSU
OUTBOARD



**SERVICE
MANUAL**

4-Stroke Cycle

5



TOHATSU CORPORATION

Tohatsu Hp Service Manual

Edwin R. Sherman



Tohatsu Hp Service Manual:

AC Maintenance & Repair Manual for Outboard Motors Jean Luc Pallas,2013-08-10 The aim of this book with its detailed step by step colour photographs and diagrams is to enable every owner to fix their outboard motor with ease Troubleshooting tables help diagnose potential problems and there is advice on regular maintenance and winterising and repair Jean Luc Pallas s enthusiasm for passing on his knowledge as well as his clear explanations precise advice and step by step instructions make this a unique book Seloc Nissan/Tohatsu Outboards 1992-09 Repair Manual (Seloc) Seloc,2010 Covers all 2 140 HP 2 stroke and 4 stroke engines including EFI TLDI Front cover Down East ,1988 **The Publishers' Trade List Annual** ,1985 *Boating* ,2004-11 **Adirondack Life** ,1988 **Outboard Engines** Edwin R. Sherman,1997 Outboard Engines fills the gap between owner s manuals that don t even tell you how to change a spark plug and professional shop manuals that detail how to do a complete rebuild It covers basic principles and techniques for a wide variety of outboards four stroke as well as two stroke with the emphasis on maintenance and advanced troubleshooting Ed Sherman s clear explanations and diagrams take you step by step through the basics and beyond helping you track down even the most elusive problems a modern outboard can throw in your way his methodical approach can save you a world of frustration and peril as well as time and a half weekend mechanics charges **Books in Print Supplement** ,2002 Boating ,1989-02 **New York Sportsman** ,1987 **Atlantic Fisherman** ,1984-12 **Australian Fisheries** ,1982 **Lakeland Boating** ,1989 **Boating** ,1988-01 **American Book Publishing Record** ,1992 *Shop Manual* Tokyo Hatsudoki Co., Ltd,19?? Pacific Fishing ,1984 Tohatsu 2-Stroke OB 92-00 Penton Staff,2000-05-24 2 5 HP 3 5 HP 5 HP 8 HP 9 8 HP 9 9 HP 15 HP 18 HP 25 HP 30 HP 40 HP 50 HP 60 HP 70 HP 80 HP 90 HP 115 HP 120 HP 140 HP *Tohatsu Outboard Motor* ,1984 **Shop Manual** Tokyo Hatsudoki Co., Ltd,19??

Recognizing the way ways to get this book **Tohatsu Hp Service Manual** is additionally useful. You have remained in right site to begin getting this info. get the Tohatsu Hp Service Manual partner that we present here and check out the link.

You could buy lead Tohatsu Hp Service Manual or acquire it as soon as feasible. You could speedily download this Tohatsu Hp Service Manual after getting deal. So, with you require the books swiftly, you can straight acquire it. Its fittingly utterly easy and therefore fats, isnt it? You have to favor to in this impression

https://about.livewellcolorado.org/results/virtual-library/Documents/Trailblazer_Service_Engine_Soon_Light.pdf

Table of Contents Tohatsu Hp Service Manual

1. Understanding the eBook Tohatsu Hp Service Manual
 - The Rise of Digital Reading Tohatsu Hp Service Manual
 - Advantages of eBooks Over Traditional Books
2. Identifying Tohatsu Hp Service Manual
 - Exploring Different Genres
 - Considering Fiction vs. Non-Fiction
 - Determining Your Reading Goals
3. Choosing the Right eBook Platform
 - Popular eBook Platforms
 - Features to Look for in an Tohatsu Hp Service Manual
 - User-Friendly Interface
4. Exploring eBook Recommendations from Tohatsu Hp Service Manual
 - Personalized Recommendations
 - Tohatsu Hp Service Manual User Reviews and Ratings
 - Tohatsu Hp Service Manual and Bestseller Lists
5. Accessing Tohatsu Hp Service Manual Free and Paid eBooks
 - Tohatsu Hp Service Manual Public Domain eBooks

- Tohatsu Hp Service Manual eBook Subscription Services
- Tohatsu Hp Service Manual Budget-Friendly Options
- 6. Navigating Tohatsu Hp Service Manual eBook Formats
 - ePub, PDF, MOBI, and More
 - Tohatsu Hp Service Manual Compatibility with Devices
 - Tohatsu Hp Service Manual Enhanced eBook Features
- 7. Enhancing Your Reading Experience
 - Adjustable Fonts and Text Sizes of Tohatsu Hp Service Manual
 - Highlighting and Note-Taking Tohatsu Hp Service Manual
 - Interactive Elements Tohatsu Hp Service Manual
- 8. Staying Engaged with Tohatsu Hp Service Manual
 - Joining Online Reading Communities
 - Participating in Virtual Book Clubs
 - Following Authors and Publishers Tohatsu Hp Service Manual
- 9. Balancing eBooks and Physical Books Tohatsu Hp Service Manual
 - Benefits of a Digital Library
 - Creating a Diverse Reading Collection Tohatsu Hp Service Manual
- 10. Overcoming Reading Challenges
 - Dealing with Digital Eye Strain
 - Minimizing Distractions
 - Managing Screen Time
- 11. Cultivating a Reading Routine Tohatsu Hp Service Manual
 - Setting Reading Goals Tohatsu Hp Service Manual
 - Carving Out Dedicated Reading Time
- 12. Sourcing Reliable Information of Tohatsu Hp Service Manual
 - Fact-Checking eBook Content of Tohatsu Hp Service Manual
 - Distinguishing Credible Sources
- 13. Promoting Lifelong Learning
 - Utilizing eBooks for Skill Development
 - Exploring Educational eBooks

14. Embracing eBook Trends

- Integration of Multimedia Elements
- Interactive and Gamified eBooks

Tohatsu Hp Service Manual Introduction

Free PDF Books and Manuals for Download: Unlocking Knowledge at Your Fingertips In today's fast-paced digital age, obtaining valuable knowledge has become easier than ever. Thanks to the internet, a vast array of books and manuals are now available for free download in PDF format. Whether you are a student, professional, or simply an avid reader, this treasure trove of downloadable resources offers a wealth of information, conveniently accessible anytime, anywhere. The advent of online libraries and platforms dedicated to sharing knowledge has revolutionized the way we consume information. No longer confined to physical libraries or bookstores, readers can now access an extensive collection of digital books and manuals with just a few clicks. These resources, available in PDF, Microsoft Word, and PowerPoint formats, cater to a wide range of interests, including literature, technology, science, history, and much more. One notable platform where you can explore and download free Tohatsu Hp Service Manual PDF books and manuals is the internet's largest free library. Hosted online, this catalog compiles a vast assortment of documents, making it a veritable goldmine of knowledge. With its easy-to-use website interface and customizable PDF generator, this platform offers a user-friendly experience, allowing individuals to effortlessly navigate and access the information they seek. The availability of free PDF books and manuals on this platform demonstrates its commitment to democratizing education and empowering individuals with the tools needed to succeed in their chosen fields. It allows anyone, regardless of their background or financial limitations, to expand their horizons and gain insights from experts in various disciplines. One of the most significant advantages of downloading PDF books and manuals lies in their portability. Unlike physical copies, digital books can be stored and carried on a single device, such as a tablet or smartphone, saving valuable space and weight. This convenience makes it possible for readers to have their entire library at their fingertips, whether they are commuting, traveling, or simply enjoying a lazy afternoon at home. Additionally, digital files are easily searchable, enabling readers to locate specific information within seconds. With a few keystrokes, users can search for keywords, topics, or phrases, making research and finding relevant information a breeze. This efficiency saves time and effort, streamlining the learning process and allowing individuals to focus on extracting the information they need. Furthermore, the availability of free PDF books and manuals fosters a culture of continuous learning. By removing financial barriers, more people can access educational resources and pursue lifelong learning, contributing to personal growth and professional development. This democratization of knowledge promotes intellectual curiosity and empowers individuals to become lifelong learners, promoting progress and innovation in various fields. It is worth noting that while

accessing free Tohatsu Hp Service Manual PDF books and manuals is convenient and cost-effective, it is vital to respect copyright laws and intellectual property rights. Platforms offering free downloads often operate within legal boundaries, ensuring that the materials they provide are either in the public domain or authorized for distribution. By adhering to copyright laws, users can enjoy the benefits of free access to knowledge while supporting the authors and publishers who make these resources available. In conclusion, the availability of Tohatsu Hp Service Manual free PDF books and manuals for download has revolutionized the way we access and consume knowledge. With just a few clicks, individuals can explore a vast collection of resources across different disciplines, all free of charge. This accessibility empowers individuals to become lifelong learners, contributing to personal growth, professional development, and the advancement of society as a whole. So why not unlock a world of knowledge today? Start exploring the vast sea of free PDF books and manuals waiting to be discovered right at your fingertips.

FAQs About Tohatsu Hp Service Manual Books

How do I know which eBook platform is the best for me? Finding the best eBook platform depends on your reading preferences and device compatibility. Research different platforms, read user reviews, and explore their features before making a choice. Are free eBooks of good quality? Yes, many reputable platforms offer high-quality free eBooks, including classics and public domain works. However, make sure to verify the source to ensure the eBook credibility. Can I read eBooks without an eReader? Absolutely! Most eBook platforms offer web-based readers or mobile apps that allow you to read eBooks on your computer, tablet, or smartphone. How do I avoid digital eye strain while reading eBooks? To prevent digital eye strain, take regular breaks, adjust the font size and background color, and ensure proper lighting while reading eBooks. What the advantage of interactive eBooks? Interactive eBooks incorporate multimedia elements, quizzes, and activities, enhancing the reader engagement and providing a more immersive learning experience. Tohatsu Hp Service Manual is one of the best book in our library for free trial. We provide copy of Tohatsu Hp Service Manual in digital format, so the resources that you find are reliable. There are also many Ebooks of related with Tohatsu Hp Service Manual. Where to download Tohatsu Hp Service Manual online for free? Are you looking for Tohatsu Hp Service Manual PDF? This is definitely going to save you time and cash in something you should think about.

Find Tohatsu Hp Service Manual :

[trailblazer service engine soon light](#)

[traffic report in ohio](#)

[train the trainer forklift guide](#)

[trafford centre store guide](#)

[tracker targa 17 manual](#)

traditional peach cobbler recipe

trailer wiring 5 pin to 7

[trane rtac 15bindig manual](#)

trailer lights troubleshooting running lights

training manual for medication aide

[trail camera buyers guide](#)

tpms sensor line drawing

tracking absence tardiness excel

[trailer wiring 2008 cadillac dts](#)

[tp challenger instruction manual](#)

Tohatsu Hp Service Manual :

linguistics an introduction hardcover 26 february 2015 - Jan 04 2022

web this is the new edition of linguistics an introduction it is a bestselling introductory textbook for all students of linguistics and language studies this reworked edition

linguistics an introduction amazon co uk william b - Feb 17 2023

web linguistics an introduction mcgregor william b published by brand bloomsbury academic 2009 isbn 10 1847063675 isbn 13 9781847063670 new softcover

linguistics an introduction william b mcgregor google books - Apr 07 2022

web this book encompasses the latest research results published by the most prominent linguists from the whole world the pedagogical merits make mcgregor s

linguistics an introduction william b mcgregor google books - Jun 21 2023

web apr 9 2015 this is the new edition of linguistics an introduction it is a bestselling introductory textbook for all students of linguistics and language studies this

linguistics an introduction mcgregor william b - Feb 05 2022

web bert vaux university lecturer department of linguistics university of cambridge uk of the first edition in this introductory

text mcgregor offers a clear and well

[william mcgregor 2009 linguistics an introduction](#) - May 08 2022

web linguistics an introduction william b mcgregor google books this is the new edition of linguistics an introduction it is a bestselling introductory textbook for all

review of william b mcgregor 2015 linguistics an - Sep 12 2022

web linguistics an introduction 2nd edition kindle edition by william b mcgregor author format kindle edition 17 ratings see all formats and editions kindle 39 05 read with

[download linguistics an introduction by william b mcgregor](#) - Jun 09 2022

web about online first current issue issn 0929 998x e issn 1569 9765 buy 15 00 taxes add to basket william mcgregor 2009 linguistics an introduction author

linguistics an introduction by william b mcgregor waterstones - Jul 10 2022

web linguistics an introduction author william b mcgregor language english isbn 1847063675 9781847063670 year 2009 pages 408 file size 57 1 mb total

linguistics an introduction 2nd edition by william b mcgregor - Nov 14 2022

web linguistics an introduction yazar william b mcgregor yayınevleri bloomsbury publishing plc kitap formatı ciltsiz İnce kapak

[linguistics an introduction mcgregor william b abebooks](#) - Jan 16 2023

web it is a bestselling introductory textbook for all students of linguistics and language studies this reworked edition features new chapters on sign languages writing and text and

review of william b mcgregor 2015 linguistics an - Apr 19 2023

web william mcgregor s new textbook is an excellent introduction to linguistics it is clear precise and readable comprehensible and comprehensive and it is eminently usable as

[linguistics an introduction william b mcgregor bloomsbury](#) - Aug 23 2023

web william mcgregor s new textbook is an excellent introduction to linguistics it is clear precise and readable comprehensible and comprehensive and it is eminently usable as

linguistics an introduction william b mcgregor bloomsbury - Mar 06 2022

web a comprehensive and easy to use introductory textbook for all students of linguistics and language studies now in its second edition this is the new edition of linguistics an

linguistics an introduction william b mcgregor bloomsbury - Mar 18 2023

web buy linguistics an introduction 2nd revised edition by william b mcgregor isbn 9780567049261 from amazon s book

store everyday low prices and free delivery on

[linguistics an introduction william b mcgregor bloomsbury](#) - May 20 2023

web what is linguistics how do languages work why is this important answering these questions and more linguistics an introduction covers all the key topics that you will

linguistics an introduction william b mcgregor language - Oct 13 2022

web william b mcgregor s linguistics an introduction constitutes an introductory course book on linguistics the book is the fruit of the author s experience in teaching linguistics

linguistics an introduction mcgregor william 1952 author - Sep 24 2023

web this is the new edition of linguistics an introduction it is a bestselling introductory textbook for all students of linguistics and language studies this reworked edition

linguistics an introduction ebook mcgregor william b - Aug 11 2022

web feb 26 2015 william mcgregor s new textbook is an excellent introduction to linguistics it is clear precise and readable comprehensible and comprehensive and it

pdf linguistics an introduction by william b mcgregor perlego - Dec 15 2022

web apr 9 2015 linguistics an introduction 2nd edition by william b mcgregor be the first to write a review about this book paperback 496 pages edition type revised

linguistics an introduction william b mcgregor bloomsbury - Dec 03 2021

linguistics an introduction william mcgregor google books - Jul 22 2023

web linguistics is a fresh and contemporary introductory textbook for all students of linguistics and language studies firmly based around taught courses and catering to

woche türkçe çeviri almanca sozluk net - Dec 17 2021

web almanca sozluk net woche türkçe çeviri ve tercümesi woche almanca türkçe karşılığı ve anlamı

miniwochenkalender 2021 but first coffee kleiner bürokalender - Jul 24 2022

web miniwochenkalender 2021 but first coffee kalender buchzentrum der starke partner für handel und verlage 9675 umfassendes sortiment mit büchern spielen

miniwochenkalender 2020 but first coffee kleiner bürokalender - Oct 07 2023

web miniwochenkalender 2020 but first coffee kleiner bürokalender kleiner aufstellkalender mit wochenkalendarium isbn 4014489120711 kostenloser versand

[miniwochenkalender 2020 but first coffee kleiner](#) - Mar 20 2022

web miniwochenkalender 2020 but first coffee kleiner 1 miniwochenkalender 2020 but first coffee kleiner science museum desk diary 2018 carl warner s food

but first coffee miniwochenkalender 2021 kalender bestellen - Jun 22 2022

web jetzt but first coffee miniwochenkalender 2021 bestellen weitere kalender entdecken tolle kalender in grosser auswahl finden sie in unserem weltbild shop buch dabei

miniwochenkalender 2020 but first coffee kleiner - May 22 2022

web miniwochenkalender 2020 but first coffee kleiner 1 omb no 1st time writing in a coffee shop in over a year buying authortuber books a mini writing vlog first

but first coffee kleiner bürokalender 2020 miniwochenkalender - May 02 2023

web but first coffee kleiner bürokalender 2020 miniwochenkalender kleiner aufstellkalender mit wochenkalendarium amazon com au books

miniwochenkalender 2020 but first coffee kleiner bürokalender - Jul 04 2023

web miniwochenkalender 2020 but first coffee kleiner bürokalender kleiner aufstellkalender mit wochenkalendarium amazon de books

miniwochenkalender 2020 but first coffee amazon co uk - Jan 30 2023

web buy miniwochenkalender 2020 but first coffee bürokalender by isbn 4014489120711 from amazon s book store everyday low prices and free delivery on eligible orders

miniwochenkalender 2020 but first coffee kleiner - Feb 16 2022

web kleiner 1 miniwochenkalender 2020 but first coffee kleiner as recognized adventure as capably as experience very nearly lesson amusement as miniwochenkalender

woche türkçesi almanca türkçe Çeviri - Jan 18 2022

web erst nächste woche bu hafta içinde in dieser woche gelecek önümüzdeki hafta kommende woche geçen hafta vorige woche woche türkçe anlamı woche türkçesi

miniwochenkalender 2021 but first coffee kleiner abebooks - Oct 27 2022

web miniwochenkalender 2021 but first coffee kleiner bürokalender kleiner aufstellkalender mit wochenkalendarium isbn 13 4014489122777

miniwochenkalender 2020 but first coffee kleiner - Nov 27 2022

web title miniwochenkalender 2020 but first coffee kleiner 2023 store spiralny com author katelyn dudley created date 10 20 2023 11 45 44 pm

but first coffee kleiner bürokalender 2020 kalender bestellen - Jun 03 2023

web jetzt but first coffee kleiner bürokalender 2020 bestellen und weitere tolle kalender entdecken auf weltbild de gratis¹
geschenk für sie code 09geschenk23

amazon com customer reviews miniwochenkalender 2020 but - Apr 01 2023

web find helpful customer reviews and review ratings for miniwochenkalender 2020 but first coffee kleiner bürokalender
kleiner aufstellkalender mit wochenkalendarium at

miniwochenkalender 2021 but first coffee kleiner bürokalender - Dec 29 2022

web miniwochenkalender 2021 but first coffee kleiner bürokalender amazon de books

miniwochenkalender 2020 but first coffee kleiner bürokalender - Feb 28 2023

web but first coffee wochenkalender 2020 dieser wochenkalender 2020 zum aufstellen ist durch seine lustigen sprüche rund
ums thema kaffee und büroalltag jeden tag ein

miniwochenkalender 2020 but first coffee kleiner bürokalender - Aug 05 2023

web jun 18 2019 miniwochenkalender 2020 but first coffee kleiner bürokalender kleiner aufstellkalender mit
wochenkalendarium on amazon com free shipping on

but first coffee kleine auszeiten fürs büro amazon com tr - Aug 25 2022

web but first coffee kleine auszeiten fürs büro amazon com tr Çerez tercihlerinizi seçin alışveriş deneyiminizi geliştirmek
hizmetlerimizi sunmak müşterilerin hizmetlerimizi

miniwochenkalender 2021 but first coffee kleiner bürokalender - Sep 25 2022

web entdecken sie miniwochenkalender 2021 but first coffee kleiner bürokalender 2020 calendar in der großen auswahl bei
ebay kostenlose lieferung für viele artikel

miniwochenkalender 2021 but first coffee kleiner bürokalender - Sep 06 2023

web but first coffee wochenkalender 2021 dieser kalender zum aufstellen wird mit seinen lustigen sprüchen rund ums thema
kaffee und büroalltag jeden tag zu einem kleinen

miniwochenkalender 2020 but first coffee kleiner copy - Apr 20 2022

web miniwochenkalender 2020 but first coffee kleiner book review unveiling the magic of language in a digital era where
connections and knowledge reign supreme the

half life introductory chemistry lumen learning - Jul 04 2022

web solution if we compare the time that has passed to the isotope s half life we note that 44 0 s is exactly 4 half lives so
using the previous expression n 4 substituting and solving results in the following less than one third of a gram of fluorine 20
remains test yourself the half life of titanium 44 is 60 0 y

31 5 half life and activity college physics 2e openstax - May 02 2022

web learning objectives by the end of this section you will be able to define half life define dating calculate age of old objects by radioactive dating unstable nuclei decay however some nuclides decay faster than others for example radium and polonium discovered by the curies decay faster than uranium

15 3 half life chemistry libretexts - Apr 13 2023

web the half life of a specific radioactive isotope is constant it is unaffected by conditions and is independent of the initial amount of that isotope consider the following example suppose we have 100 0 g of tritium a radioactive isotope of hydrogen

11 2 half life the basics of general organic and biological - Apr 01 2022

web the half life of a radioactive isotope is the amount of time it takes for one half of the radioactive isotope to decay the half life of a specific radioactive isotope is constant it is unaffected by conditions and is independent of the initial amount of that isotope

half life questions practice questions of half life with answer - Oct 19 2023

web half life chemistry questions with solutions q1 an isotope of caesium cs 137 has a half life of 30 years if 1 0g of cs 137 disintegrates over a period of 90 years how many grams of cs 137 would remain a 1 25 g b 0 125 g c 0 00125 g d 12 5 g correct answer b 0 125 g q2 selenium 83 has a half life of 25 0 minutes

5 7 calculating half life chemistry libretexts - Nov 08 2022

web each radioactive isotope will have its own unique half life that is independent of any of these factors figure pageindex 1 for cobalt 60 which has a half life of 5 27 years 50 remains after 5 27 years one half life 25 remains after 10 54 years two half lives 12 5 remains after 15 81 years three half lives and so on

3 1 half life chemistry libretexts - Mar 12 2023

web the half life of a radioactive isotope is the amount of time it takes for one half of the radioactive isotope to decay the half life of a specific radioactive isotope is constant it is unaffected by conditions and is independent of the initial amount of that isotope

half life wjec half lives of isotopes used in gcse questions - Jun 15 2023

web question the half life of a radioactive isotope is 27 years how long will its mass take to fall from 2 g to 0 25 g question the activity of an isotope falls from 600 bq becquerel to

what is the half life of an isotope if 125 g of a 500 g sample of the - Feb 28 2022

web oct 27 2016 find an answer to your question what is the half life of an isotope if 125 g of a 500 g sample of the isotope remains after 3 0 years a 3 5 years b 4 5 y

half life problems mrs n nelson s science website - Sep 18 2023

web half life problems name block 1 an isotope of cesium cesium 137 has a half life of 30 years if 1 0 g of cesium 137

disintegrates over a period of 90 years how many g of cesium 137 would remain a we r 2 actinium 226 has a half life of 29 hours

[10 half life problems and answers examples edutized](#) - Aug 17 2023

web we utilize the equation that relate amount remaining initial mass and number of half lives $n = \frac{t}{T} \times n_0$ 1 2 4 x 50 3 125 g 5 what is the half life of an isotope that is 80 remained after 16 days solution remaining 80 100 therefore $n = \frac{t}{T} \times n_0$ 100 now using the half life equation in example 1 we have

half life practice questions loudoun county public schools - Oct 07 2022

web what is the half life of this radioisotope after 2 days 5 grams of the radioisotope 1 day b 2 days c 5 days d 4 days 3 the ratio of uranium 238 to lead 206 in a mineral is used to determine age b density c solubility d composition 4 a radioactive isotope has a half life of 10 years

[half life introductory chemistry 1st canadian edition](#) - May 14 2023

web chapter 15 nuclear chemistry half life learning objectives define half life determine the amount of radioactive substance remaining after a given number of half lives whether or not a given isotope is radioactive is a characteristic of that particular isotope

11 2 half life chemistry libretxts - Jun 03 2022

web the half life of a radioactive isotope is the amount of time it takes for one half of the radioactive isotope to decay the half life of a specific radioactive isotope is constant it is unaffected by conditions and is independent of the initial amount of that isotope

22 3 half life and radiometric dating physics openstax - Sep 06 2022

web section learning objectives by the end of this section you will be able to do the following explain radioactive half life and its role in radiometric dating calculate radioactive half life and solve problems associated with radiometric dating section key terms half life and the rate of radioactive decay unstable nuclei decay

how to do half life problems of radioactive isotopes youtube - Jan 10 2023

web chemin10 7 03k subscribers subscribe 35k views 7 years ago nuclear chemistry how to solve half life problems chemin10 com determine the half life of a radioactive isotope

radtown radioactive atom activity 5 half life us epa - Dec 09 2022

web jul 24 2023 directions common core state standards printable worksheets and classroom aids objectives students will learn about radioactive decay and decay chains demonstrate the concept of half life calculate and chart the half life of a given sample discuss the significance of knowing the half life of radioactive elements

[half life github pages](#) - Aug 05 2022

web solution if we compare the time that has passed to the isotope's half life we note that 44 0 s is exactly 4 half lives so using the previous equation n 4 substituting and solving results in the following less than one third of a gram of 20 f remains skill building exercise the half life of 44 ti is 60 0 y

chemteam half life problems 1 10 - Jul 16 2023

web solution 7 2 2 4 3 half lives 1 2 0 125 the amount remaining after 3 half lives 100 0 g x 0 125 12 5 g remaining problem 2 pd 100 has a half life of 3 6 days if one had 6.02×10 atoms at the start how many atoms would be present after 20 0 days solution 20 0 3 6 5 56 half lives

half life wjec test questions bbc - Feb 11 2023

web radioactive isotopes are used for blood flow monitoring cancer treatment paper mills carbon dating and smoke alarms each isotope used in these applications has a characteristic half life