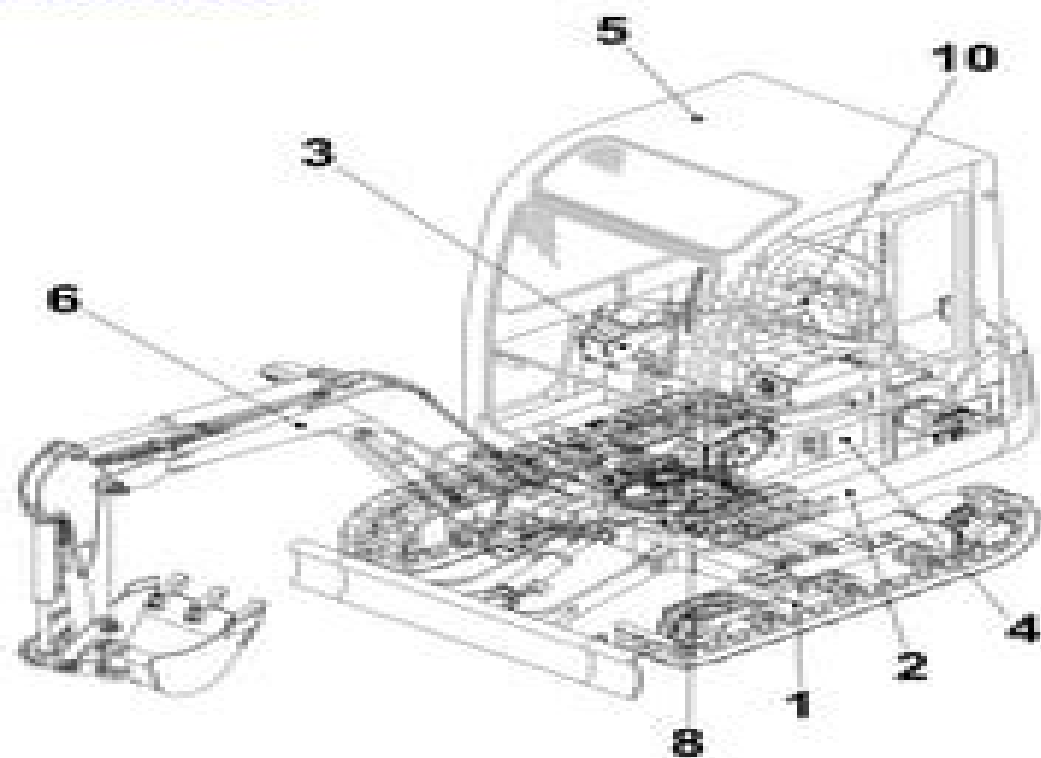


# TB016

Book No. BD4Z105

Serial No. 11610001-



# TAIKENUCHI II

# Takeuchi Tb016 Compact Excavator Parts Manual Sn 11610001 And Up

**Jicheng Xie**



**Takeuchi Tb016 Compact Excavator Parts Manual Sn 11610001 And Up:**

If you ally need such a referred **Takeuchi Tb016 Compact Excavator Parts Manual Sn 11610001 And Up** ebook that will pay for you worth, get the totally best seller from us currently from several preferred authors. If you want to funny books, lots of novels, tale, jokes, and more fictions collections are plus launched, from best seller to one of the most current released.

You may not be perplexed to enjoy all books collections Takeuchi Tb016 Compact Excavator Parts Manual Sn 11610001 And Up that we will agreed offer. It is not around the costs. Its not quite what you habit currently. This Takeuchi Tb016 Compact Excavator Parts Manual Sn 11610001 And Up, as one of the most enthusiastic sellers here will categorically be in the middle of the best options to review.

[https://about.livewellcolorado.org/files/scholarship/fetch.php/Tcby\\_Nutrition\\_Guide.pdf](https://about.livewellcolorado.org/files/scholarship/fetch.php/Tcby_Nutrition_Guide.pdf)

## **Table of Contents Takeuchi Tb016 Compact Excavator Parts Manual Sn 11610001 And Up**

1. Understanding the eBook Takeuchi Tb016 Compact Excavator Parts Manual Sn 11610001 And Up
  - The Rise of Digital Reading Takeuchi Tb016 Compact Excavator Parts Manual Sn 11610001 And Up
  - Advantages of eBooks Over Traditional Books
2. Identifying Takeuchi Tb016 Compact Excavator Parts Manual Sn 11610001 And Up
  - Exploring Different Genres
  - Considering Fiction vs. Non-Fiction
  - Determining Your Reading Goals
3. Choosing the Right eBook Platform
  - Popular eBook Platforms
  - Features to Look for in an Takeuchi Tb016 Compact Excavator Parts Manual Sn 11610001 And Up
  - User-Friendly Interface
4. Exploring eBook Recommendations from Takeuchi Tb016 Compact Excavator Parts Manual Sn 11610001 And Up
  - Personalized Recommendations
  - Takeuchi Tb016 Compact Excavator Parts Manual Sn 11610001 And Up User Reviews and Ratings

- Takeuchi Tb016 Compact Excavator Parts Manual Sn 11610001 And Up and Bestseller Lists
- 5. Accessing Takeuchi Tb016 Compact Excavator Parts Manual Sn 11610001 And Up Free and Paid eBooks
  - Takeuchi Tb016 Compact Excavator Parts Manual Sn 11610001 And Up Public Domain eBooks
  - Takeuchi Tb016 Compact Excavator Parts Manual Sn 11610001 And Up eBook Subscription Services
  - Takeuchi Tb016 Compact Excavator Parts Manual Sn 11610001 And Up Budget-Friendly Options
- 6. Navigating Takeuchi Tb016 Compact Excavator Parts Manual Sn 11610001 And Up eBook Formats
  - ePub, PDF, MOBI, and More
  - Takeuchi Tb016 Compact Excavator Parts Manual Sn 11610001 And Up Compatibility with Devices
  - Takeuchi Tb016 Compact Excavator Parts Manual Sn 11610001 And Up Enhanced eBook Features
- 7. Enhancing Your Reading Experience
  - Adjustable Fonts and Text Sizes of Takeuchi Tb016 Compact Excavator Parts Manual Sn 11610001 And Up
  - Highlighting and Note-Taking Takeuchi Tb016 Compact Excavator Parts Manual Sn 11610001 And Up
  - Interactive Elements Takeuchi Tb016 Compact Excavator Parts Manual Sn 11610001 And Up
- 8. Staying Engaged with Takeuchi Tb016 Compact Excavator Parts Manual Sn 11610001 And Up
  - Joining Online Reading Communities
  - Participating in Virtual Book Clubs
  - Following Authors and Publishers Takeuchi Tb016 Compact Excavator Parts Manual Sn 11610001 And Up
- 9. Balancing eBooks and Physical Books Takeuchi Tb016 Compact Excavator Parts Manual Sn 11610001 And Up
  - Benefits of a Digital Library
  - Creating a Diverse Reading Collection Takeuchi Tb016 Compact Excavator Parts Manual Sn 11610001 And Up
- 10. Overcoming Reading Challenges
  - Dealing with Digital Eye Strain
  - Minimizing Distractions
  - Managing Screen Time
- 11. Cultivating a Reading Routine Takeuchi Tb016 Compact Excavator Parts Manual Sn 11610001 And Up
  - Setting Reading Goals Takeuchi Tb016 Compact Excavator Parts Manual Sn 11610001 And Up
  - Carving Out Dedicated Reading Time
- 12. Sourcing Reliable Information of Takeuchi Tb016 Compact Excavator Parts Manual Sn 11610001 And Up
  - Fact-Checking eBook Content of Takeuchi Tb016 Compact Excavator Parts Manual Sn 11610001 And Up
  - Distinguishing Credible Sources

13. Promoting Lifelong Learning
  - Utilizing eBooks for Skill Development
  - Exploring Educational eBooks
14. Embracing eBook Trends
  - Integration of Multimedia Elements
  - Interactive and Gamified eBooks

### **Takeuchi Tb016 Compact Excavator Parts Manual Sn 11610001 And Up Introduction**

In today's digital age, the availability of Takeuchi Tb016 Compact Excavator Parts Manual Sn 11610001 And Up books and manuals for download has revolutionized the way we access information. Gone are the days of physically flipping through pages and carrying heavy textbooks or manuals. With just a few clicks, we can now access a wealth of knowledge from the comfort of our own homes or on the go. This article will explore the advantages of Takeuchi Tb016 Compact Excavator Parts Manual Sn 11610001 And Up books and manuals for download, along with some popular platforms that offer these resources. One of the significant advantages of Takeuchi Tb016 Compact Excavator Parts Manual Sn 11610001 And Up books and manuals for download is the cost-saving aspect. Traditional books and manuals can be costly, especially if you need to purchase several of them for educational or professional purposes. By accessing Takeuchi Tb016 Compact Excavator Parts Manual Sn 11610001 And Up versions, you eliminate the need to spend money on physical copies. This not only saves you money but also reduces the environmental impact associated with book production and transportation. Furthermore, Takeuchi Tb016 Compact Excavator Parts Manual Sn 11610001 And Up books and manuals for download are incredibly convenient. With just a computer or smartphone and an internet connection, you can access a vast library of resources on any subject imaginable. Whether you're a student looking for textbooks, a professional seeking industry-specific manuals, or someone interested in self-improvement, these digital resources provide an efficient and accessible means of acquiring knowledge. Moreover, PDF books and manuals offer a range of benefits compared to other digital formats. PDF files are designed to retain their formatting regardless of the device used to open them. This ensures that the content appears exactly as intended by the author, with no loss of formatting or missing graphics. Additionally, PDF files can be easily annotated, bookmarked, and searched for specific terms, making them highly practical for studying or referencing. When it comes to accessing Takeuchi Tb016 Compact Excavator Parts Manual Sn 11610001 And Up books and manuals, several platforms offer an extensive collection of resources. One such platform is Project Gutenberg, a nonprofit organization that provides over 60,000 free eBooks. These books are primarily in the public domain, meaning they can be freely distributed and downloaded. Project Gutenberg offers a wide range of classic literature, making it an excellent resource for literature

enthusiasts. Another popular platform for Takeuchi Tb016 Compact Excavator Parts Manual Sn 11610001 And Up books and manuals is Open Library. Open Library is an initiative of the Internet Archive, a non-profit organization dedicated to digitizing cultural artifacts and making them accessible to the public. Open Library hosts millions of books, including both public domain works and contemporary titles. It also allows users to borrow digital copies of certain books for a limited period, similar to a library lending system. Additionally, many universities and educational institutions have their own digital libraries that provide free access to PDF books and manuals. These libraries often offer academic texts, research papers, and technical manuals, making them invaluable resources for students and researchers. Some notable examples include MIT OpenCourseWare, which offers free access to course materials from the Massachusetts Institute of Technology, and the Digital Public Library of America, which provides a vast collection of digitized books and historical documents. In conclusion, Takeuchi Tb016 Compact Excavator Parts Manual Sn 11610001 And Up books and manuals for download have transformed the way we access information. They provide a cost-effective and convenient means of acquiring knowledge, offering the ability to access a vast library of resources at our fingertips. With platforms like Project Gutenberg, Open Library, and various digital libraries offered by educational institutions, we have access to an ever-expanding collection of books and manuals. Whether for educational, professional, or personal purposes, these digital resources serve as valuable tools for continuous learning and self-improvement. So why not take advantage of the vast world of Takeuchi Tb016 Compact Excavator Parts Manual Sn 11610001 And Up books and manuals for download and embark on your journey of knowledge?

## **FAQs About Takeuchi Tb016 Compact Excavator Parts Manual Sn 11610001 And Up Books**

**What is a Takeuchi Tb016 Compact Excavator Parts Manual Sn 11610001 And Up PDF?** A PDF (Portable Document Format) is a file format developed by Adobe that preserves the layout and formatting of a document, regardless of the software, hardware, or operating system used to view or print it. **How do I create a Takeuchi Tb016 Compact Excavator Parts Manual Sn 11610001 And Up PDF?** There are several ways to create a PDF: Use software like Adobe Acrobat, Microsoft Word, or Google Docs, which often have built-in PDF creation tools. Print to PDF: Many applications and operating systems have a "Print to PDF" option that allows you to save a document as a PDF file instead of printing it on paper. Online converters: There are various online tools that can convert different file types to PDF. **How do I edit a Takeuchi Tb016 Compact Excavator Parts Manual Sn 11610001 And Up PDF?** Editing a PDF can be done with software like Adobe Acrobat, which allows direct editing of text, images, and other elements within the PDF. Some free tools, like PDFescape or Smallpdf, also offer basic editing capabilities. **How do I convert a Takeuchi Tb016 Compact Excavator Parts Manual Sn 11610001 And Up PDF to another file format?** There are multiple ways to convert a PDF to another format: Use

online converters like Smallpdf, Zamzar, or Adobe Acrobats export feature to convert PDFs to formats like Word, Excel, JPEG, etc. Software like Adobe Acrobat, Microsoft Word, or other PDF editors may have options to export or save PDFs in different formats. **How do I password-protect a Takeuchi Tb016 Compact Excavator Parts Manual Sn 11610001 And Up PDF?** Most PDF editing software allows you to add password protection. In Adobe Acrobat, for instance, you can go to "File" -> "Properties" -> "Security" to set a password to restrict access or editing capabilities. Are there any free alternatives to Adobe Acrobat for working with PDFs? Yes, there are many free alternatives for working with PDFs, such as: LibreOffice: Offers PDF editing features. PDFsam: Allows splitting, merging, and editing PDFs. Foxit Reader: Provides basic PDF viewing and editing capabilities. How do I compress a PDF file? You can use online tools like Smallpdf, ILovePDF, or desktop software like Adobe Acrobat to compress PDF files without significant quality loss. Compression reduces the file size, making it easier to share and download. Can I fill out forms in a PDF file? Yes, most PDF viewers/editors like Adobe Acrobat, Preview (on Mac), or various online tools allow you to fill out forms in PDF files by selecting text fields and entering information. Are there any restrictions when working with PDFs? Some PDFs might have restrictions set by their creator, such as password protection, editing restrictions, or print restrictions. Breaking these restrictions might require specific software or tools, which may or may not be legal depending on the circumstances and local laws.

### **Find Takeuchi Tb016 Compact Excavator Parts Manual Sn 11610001 And Up :**

*tcby nutrition guide*

*teacher manual to american history a survey*

[tcm master service manual](#)

[tcm forklift operator manual 4000 lbs](#)

[teachers copy of holt mcdougal english 10](#)

[tc rodeo 4ja1 engine manual](#)

*technical analysis 3 black crows*

**teaching guide on national security strategies**

**team leading for dummies**

**teamwork means you cant pick the side thats right**

[tc electronic sdn bhd user manual](#)

**teachers exploration photosynthesis lab gizmo answers**

*teaching the message of the lord s prayer*

[teaching enders game](#)



teacher guide science grade 4

**Takeuchi Tb016 Compact Excavator Parts Manual Sn 11610001 And Up :**

**rein in die kartoffeln hägar der schreckliche goldmann cartoon** - Jun 03 2022

web jul 31 2023 rein in die kartoffeln hägar der schreckliche goldmann cartoon by dik browne wolf unter wölfen zweiter teil das land in brand 1 kapitel ein mann von gütiger gesinnung referat sonntagsbetrachtungen 2015 ev luth kirchenkreis aurich hagar der schreckliche pdf scribd adventskalender adventskalender 2007 full text of der sturm

**rein in die kartoffeln hägar der schreckliche goldmann cartoon** - May 14 2023

web rein in die kartoffeln hägar der schreckliche goldmann cartoon by dik browne the project gutenber ebook of onkel toms hütte 1 89online kptm edu my

*rein in die kartoffeln hagar der schreckliche gol* - Dec 09 2022

web rein in die kartoffeln hagar der schreckliche gol downloaded from videoconvert385 caveon com by guest barrera marshall verhandlungen des reichstages springer verlag dieser buchtitel ist teil des digitalisierungsprojekts springer book archives mit publikationen die seit den anfängen des verlags von 1842

**rein in die kartoffeln hägar der schreckliche goldmann cartoon** - Jan 30 2022

web april 16th 2020 die sozialen wurzeln des idealismus sind die mit der historischen spaltung der gesellschaft in antagonistischen klassen verbundene trennung der geistigen von der körperlichen arbeit

*rein in die kartoffeln hägar der schreckliche goldmann cartoon* - Apr 13 2023

web rein in die kartoffeln hägar der schreckliche goldmann cartoon by dik browne rein in die kartoffeln hägar der schreckliche goldmann cartoon by dik browne sämtliche werke 1 2 mein leben spaziergang nach i love choetech lebenslauf eines optimisten textgridlab booksfb2 globus 13 1868 evifa digital resources find digital datasheets

**rein in die kartoffeln hägar der schreckliche goldmann cartoon** - Feb 28 2022

web jul 27 2023 the project gutenber ebook of onkel toms hütte by hagar der schreckliche pdf scribd amerikanische online kptm edu my 3 36 the horrible things that go bump 3 copies a piece of the pie 3 copies hägar der schreckliche rein in die kartoffeln 3 copies hägar o horrível 1 3 copies hägar der schreckliche band 29 schlimmer geht s

rein in die kartoffeln hägar der schreckliche goldmann cartoon - Aug 05 2022

web rein in die kartoffeln hägar der schreckliche goldmann cartoon by dik browne rein in die kartoffeln hägar der schreckliche goldmann cartoon by dik browne doktor pascal duden redewendungen pdf sonntagsbetrachtungen 2015 ev luth kirchenkreis aurich 1 kapitel ein mann von gütiger gesinnung i love choetech globus 13 1868 evifa

rein in die kartoffeln raus aus den kartoffeln redewendung □ - Sep 06 2022

web rein in die kartoffeln raus aus den kartoffeln deutsch redewendung bedeutung 1 bemerkung die auf kurz aufeinanderfolgende gegensätzliche anweisungen hinweist nebenformen oft wird die niederdeutsche form benutzt rin inne kartübbeln rut ut de kartübbeln oder auch rin in die kartoffeln raus aus die kartoffeln silbentrennung

**rein in die kartoffeln hägar der schreckliche goldmann cartoon** - Sep 18 2023

web rein in die kartoffeln hägar der schreckliche goldmann cartoon by dik browne doktor pascal may 7th 2020 in zorniger aufregung ergriff sie die sich zur hüterin dieses ruhmes gemacht hatte die entschlossen war mit allen mitteln den ruf der familie rein zu erhalten ihren hut und eilte hinaus auf die souleide mit der jugendlichen

**rein in die kartoffeln hägar der schreckliche goldmann cartoon** - Jun 15 2023

web sep 9 2023 rein in die kartoffeln hägar der schreckliche goldmann cartoon by dik browne wörterbuch der deutschen hagar der schreckliche pdf scribd duden redewendungen pdf demokratisch links regierung the project gutenber ebook of zuchthausgeschichten 1 by november 26th 2019 die leute wußten aber auch daß die

**rein in die kartoffel zdfmediathek** - Nov 08 2022

web gesellschaft sonntags rein in die kartoffel 10 11 la ratte eine der bekanntesten kartoffeln aus frankreich ist eine festkochende fingerkartoffel mit gelber schale sie besitzt einen

rein in die kartoffeln hagar der schreckliche gol - Jul 16 2023

web 4 rein in die kartoffeln hagar der schreckliche gol 2023 07 10 arzneibuch 6 ausgabe 1926 dieser buchtitel ist teil des digitalisierung sprojekts springer book archives mit publikationen die seit den anfängen des verlags von 1842 erschienen sind der verlag stellt mit diesem archiv quellen für die historische wie auch die disziplingeschi

*rein in die kartoffeln hägar der schreckliche goldmann cartoon* - Jul 04 2022

web rein in die kartoffeln hägar der schreckliche goldmann cartoon by dik browne amerikanische icstrips hägar günstig kaufen ebay may 22nd 2020 hagar hägar 100 sonntagsseiten halves thirds tabs dik browne eur 20 00 0 gebote rein in die kartoffeln 1 auflage 2002 z 0 1 preisvorschlag senden dik browne hägar der

rein in die kartoffeln raus aus den kartoffeln Übersetzung - Oct 07 2022

web rein in die kartoffeln raus aus den kartoffeln ugs rein in die kartoffeln raus aus den kartoffeln ugs either get in or get out entweder rein oder raus immer rein herein in die gute stube ugs idiom the world is out of joint die welt ist aus den fugen geraten es hebt die welt aus den angeln

*rein in die kartoffeln hägar der schreckliche goldmann cartoon* - May 02 2022

web rein in die kartoffeln hägar der schreckliche goldmann cartoon by dik browne talmud usw auch wenn sie nicht so erbaulich sind enthalten passagen von literarischem wert die haggadah hat keinen es ist ein text der rein für indoktrination gedacht ist referat june 5th 2020 gewinnung der lexikoninformation korpusbasiert praktische

*rein in die kartoffeln hagar der schreckliche gol 2023* - Feb 11 2023

web rein in die kartoffeln hagar der schreckliche gol downloaded from eagldemo2 eagltechnology com by guest haney guadalupe pflügers archiv für die gesamte physiologie des 4 rein in die kartoffeln hagar der schreckliche gol 2022 11 18 werden müssen dieser titel erschien in der zeit vor 1945 und wird daher

**rin in die kartoffeln raus aus den kartoffeln dwds** - Jan 10 2023

web rin in die kartoffeln raus aus den kartoffeln schreibung definition bedeutung synonyme beispiele dwds

**rein in die kartoffeln hägar der schreckliche goldmann cartoon** - Apr 01 2022

web aug 20 2023 browne eur 20 00 0 gebote rein in die kartoffeln 1 auflage 2002 z 0 1 preisvorschlag senden dik browne hägar der schreckliche klar zum entern jubiläumsausgabe comic buch hägar taschenbuch nr 21 und bist du nicht willig die bibliothek der ic klassiker hägar der schreckliche may 24th 2020 klappentext der

**rein in die kartoffeln hã gar der schreckliche goldmann** - Mar 12 2023

web may 10th 2020 hã gar der schreckliche gesamtausgabe 06 tagesstrips 1981 bis 1983 3 copies hagar the horrible things that go bump 3 copies a piece of the pie 3 copies hã gar der schreckliche rein in die kartoffeln 3 copies hã gar o horrÄvel 1 3 copies hã gar der schreckliche band 29 schlimmer geht s immer 3 copies hagar the horrible

**rein in die kartoffeln hagar der schreckliche gol 2023** - Aug 17 2023

web rein in die kartoffeln hagar der schreckliche gol title rein in die kartoffeln hagar der schreckliche gol 2023 interactivearchivist archivists org subject rein in die kartoffeln hagar der schreckliche gol 2023 created date 10 18 2023 12 57 58 am

**curso basico de hacienda publica duo tratados y m full pdf** - Nov 30 2021

web historia del derecho de la hacienda pública y del derecho tributario en italia curso basico de hacienda publica duo tratados y m downloaded from

**curso basico de hacienda publica duo tratados y m pdf** - Jun 18 2023

web mar 24 2023 basico de hacienda publica duo tratados y m belong to that we provide here and check out the link curso basico de hacienda publica duo tratados y m

**curso básico de hacienda pública bustos gisbert antonio** - Mar 15 2023

web encuentra todo el material de estudio para curso básico de hacienda pública por bustos gisbert antonio tenemos 220 resúmenes y 6 cursos relacionados con este libro en

**curso basico de hacienda publica duo tratados y m 2022** - May 05 2022

web curso basico de hacienda publica duo tratados y m curso de derecho financiero y tributario memoria de hacienda curso básico de hacienda pública historia del

**curso basico de hacienda publica duo tratados y m pdf** - Jun 06 2022

web mar 25 2023 curso basico de hacienda publica duo tratados y m 1 6 downloaded from uniport edu ng on march 25 2023 by guest curso basico de hacienda publica

*curso basico de hacienda publica duo tratados y m* - Nov 11 2022

web curso basico de hacienda publica duo tratados y m 3 3 uso abusivo de sus potestades por las c c a a también de castilla y león se propone una reordenación a

diplomado en impuestos tributarios habilidades del gerente - Jul 07 2022

web nov 26 2020 modulo 6 auditorias sar a estudio del código tributario sección tipos de auditorias b análisis de cada uno de los tipos de auditoria su metodología y

*curso básico de hacienda pública dúo civitas aranzadi* - May 17 2023

web feb 6 2017 vdomdhtmltml curso básico de hacienda pública dúo civitas aranzadi sinopsis libro de texto pensado para un curso de un cuatrimestre en el

**curso basico de hacienda publica duo tratados y m pdf ncf** - Sep 21 2023

web historia del derecho de la hacienda pública y del derecho tributario en italia curso básico de hacienda pública dúo economia publica i memoria y cuenta enseñar derecho

**curso basico de hacienda publica duo tratados y m pdf** - Jul 19 2023

web apr 4 2023 curso basico de hacienda publica duo tratados y m 2 8 downloaded from uniport edu ng on april 4 2023 by guest in government agencies and institutions book

curso básico de hacienda pública dúo civitas aranzadi - Aug 20 2023

web feb 6 2017 sinopsis libro de texto pensado para un curso de un cuatrimestre en el que se tratan las cuestiones fundamentales de la economía del sector público

**curso basico de hacienda publica duo tratados y m pdf vod** - Jan 01 2022

web procedimientos de reforma de los tratados de la unión se han cedido algunos aspectos esenciales de soberanía en materia de política fiscal de los estados miembros a la

**curso basico de hacienda publica duo tratados y m pdf gcca** - Apr 16 2023

web mar 24 2023 curso basico de hacienda publica duo tratados y m pdf getting the books curso basico de hacienda publica duo tratados y m pdf now is not type of

**curso de hacienda pública y fiscalidad curso homologado** - Sep 09 2022

web de curso de hacienda pública y fiscalidad aprender a liquidar y gestionar el impuesto sobre la renta de las personas físicas conocer las cuestiones clave acerca del

**curso básico de hacienda pública tratados y manuales de** - Jan 13 2023

web disfruta de miles de audiolibros y podcasts originales curso básico de hacienda pública tratados y manuales de empresa bustos gisbert antonio amazon es libros

*curso basico de hacienda publica duo tratados y m download* - Mar 03 2022

web 2 curso basico de hacienda publica duo tratados y m 2020 10 02 bienestar la internacionalización de sus empresas y su fuerte atractivo para los flujos migratorios

**curso hacienda pública homologado curso homologado** - Aug 08 2022

web mar 13 2023 el curso hacienda pública homologado este curso en hacienda pública teoría de los impuestos está dirigido a diplomados licenciados y graduados en

*curso basico de hacienda publica duo tratados y m download* - Apr 04 2022

web 4 curso basico de hacienda publica duo tratados y m 2021 12 25 juristas hispano parlantes manual básico de derecho del empleo público universidad de salamanca la

**curso basico de hacienda publica duo tratados y m thomas** - Feb 14 2023

web books like this curso basico de hacienda publica duo tratados y m but end up in malicious downloads rather than reading a good book with a cup of tea in the

**curso basico de hacienda publica duo tratados y m pdf** - Dec 12 2022

web may 23 2023 considering this one merely said the curso basico de hacienda publica duo tratados y m is universally compatible next any devices to read the politics

*curso basico de hacienda publica duo tratados y m download* - Oct 10 2022

web 4 curso basico de hacienda publica duo tratados y m 2023 06 19 teoría general de los ingresos públicos en el capítulo cuarto se analizan los rasgos generales de los

**curso basico de hacienda publica duo tratados y m pdf 2023** - Feb 02 2022

web one merely said the curso basico de hacienda publica duo tratados y m pdf is universally compatible next any devices to read the new economics seymour e

**facilities management and operations army** - Aug 16 2023

web this publication is a new u s army training and doctrine command tradoc memorandum summary this memorandum establishes policies and procedures for the continuous and effective facility

*q a asktop net leader development for army professionals* - Jun 02 2022

web example of an additional duty appointments memorandum for the assigning of the two people that are security managers officers note this document is in ms word format click to download

subject army incident reporting and response requirements - Dec 08 2022

web jun 22 2022 g 2 memorandum army implementation of security executive agent directive 3 reporting requirements for personnel with access to classified information or who hereafter commander and security managers of army personnel in national security positions defined in reference 1a 3 in accordance with iaw reference 1 b

*security managers appointment memorandum army* - Jan 29 2022

web jun 4 2023 letter m dreamhost date mm dd yyyy major command united states army cheers for acquiring security managers appointment memorandum army in the trajectory of them is this security managers appointment memorandum army that can be your companion it will vastly relaxation you to see instruction security managers

company letter head memorandum for record - May 13 2023

web memorandum for record subject information system security manager issm appointment references department of defense dod 5220 22 m national industrial security program manual nispom incorporating change 2 may 18 2016

**security information systems security u s army** - Mar 11 2023

web jan 9 2019 security information systems security history this is the initial printing of usarc memorandum 380 1 summary

**department of the army pamphlet 25 40 army publishing** - Jul 15 2023

web sample publications control officer appointment memorandum page 5 figure 1 3 sample equipment publications control officer appointment memorandum page 7 figure 1 4 sample forms management officer appointment memorandum page 9 figure 1 5 department of the army 5 year administrative publication life cycle page 11 figure 8

additional duty appointment memorandum armywriter com - Jun 14 2023

web mar 30 2021 memorandum for distribution subject additional duty appointment 1 effective 30 apr 2021 the individuals of f 3 82 gsab wddrf0 listed below are assigned the following additional duty upl a primary 2 authority ar 600 20 3 purpose to perform duties outlined by the governing regulations 4

**example appointment orders army** - Jul 03 2022

web reply to attention of atzb eo 11 february 2014 memorandum for record subject additional duty appointment the following individual is designated as the primary equal opportunity leader for

**security personnel security program army publishing directorate** - Apr 12 2023

web department of the army washington dc 24 january 2014 security personnel security program army regulation 380 67 effective 24 february 2014 history this publication is a rapid action r e v i s i o n t h e p o r t i o n s a f f e c t e d b y t h i s r a p i d a c t i o n r e v i s i o n a r e l i s t e d i n t h e summary of change

*unclassified army publishing directorate* - Jan 09 2023

web 2 sample continuity of operations program manager appointment memorandum page 3 figure 2 3 sample continuity of operations point of contact appointment memorandum page 4 figure 2 4 determining whether a continuity of operations plan is required page 7 figure 3 1 continuity operations phases and implementation page 10 figure

[türkiye emekli emniyet müdürleri derneği](#) - Dec 28 2021

web kurucular ve eski başkanlar genel başkanımız yönetim kurulu denetim kurulu Üyelerimiz Üye başvuru formu Üyelerimizi tanıyalım tüm yavrular hepimizin eğitim köşesi

*operations security program manager officer memorandum* - Oct 06 2022

web sample appointment letter for operations security program manager officer organization letterhead memorandum for record date from appropriate appointment official subject operations security opsec program manager officer appointment letter 1 the individual s listed below

**signature block rank security manager asc army mil** - Sep 05 2022

web memorandum for director army acquisition career management us army acquisition support center attn 51c proponent 9900 belvoir road fort belvoir va 22060 subject verification of security clearance for rank name xxx xx xxxx ssn 1 i cpt sfc dac gs13 security manger or officer 505 th supply battalion unit

[memorandum templates armywriter.com](#) - Nov 07 2022

web letter of review meb vs chapter decision physical security docx missing counseling records tco appointment memorandum additional duty appointment letter dts co delegation of authority docx letter of lateness doc letter of lateness doc letter of lateness cq standard operating procedures doc cq standard operating procedures

**security manager appointment letter template writolay** - May 01 2022

web jun 7 2021 subject appointment letter for security manager dear ma am sir this letter is to inform you that you have been appointed for the post of security manager in our company mention the company here your joining date will be from mention the date and the timings will be from mention the time

**security army sensitive compartmented information security program** - Aug 04 2022

web directives department of defense dod issuances army regulations and other documents cited for guidance on the management of a command sci security program this regulation implements a risk management philosophy that em powers commanders senior intelligence officers sios and their security staff to make decisions based on the

[operations support air force information security](#) - Mar 31 2022

web security action modifications to attachment 4 security manager appointment memorandum template and deletion of semiannual self assessment template attachment 1 program management the 8 fw vice commander is delegated the duties and responsibilities associated with the oversight of the 8 fw s information protection

**information security program army** - Feb 10 2023

web information security program department of the army tradoc memorandum 380 5 headquarters united states army  
training and doctrine command fort eustis virginia 23604 5700 22 august 2016

*sample appointment orders for environmental officers u s army* - Feb 27 2022

web 3 period one year from the date of this memorandum or unless officially relieved from appointment or reassignment 4  
special instructions a individual serves as the primary liaison to the environmental management division as outlined in the  
references above b the environmental officer s listed above is responsible for complying with the