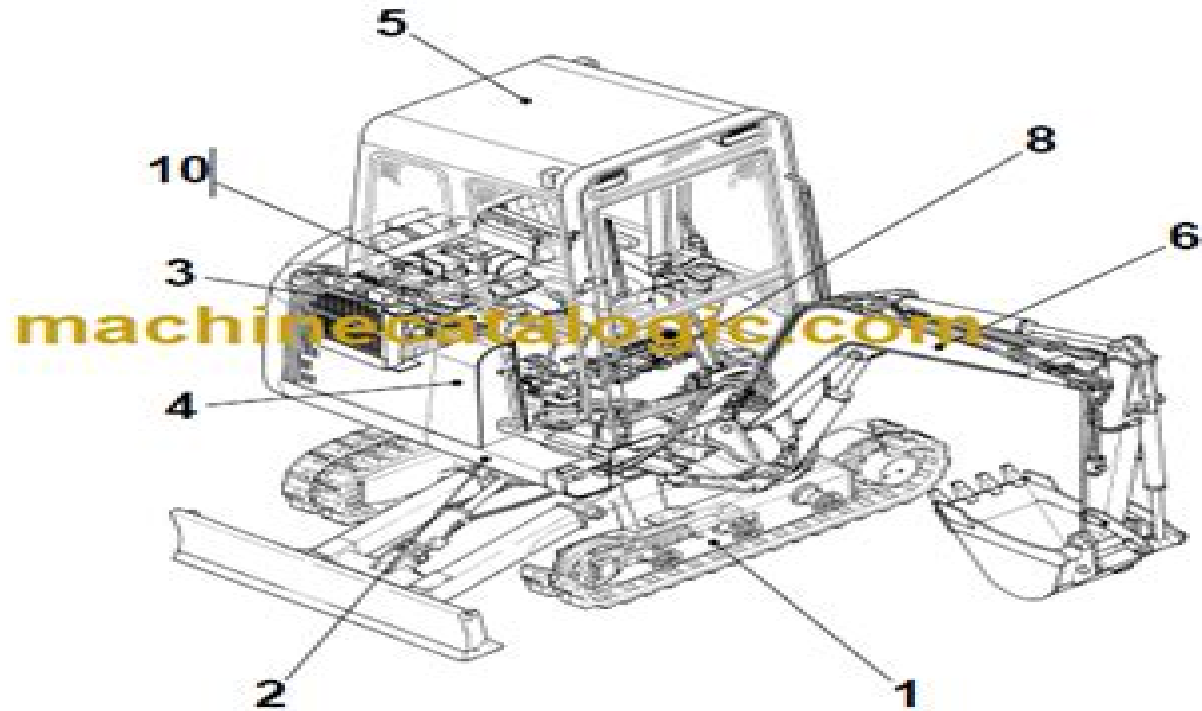


TB020

Book No.PD3-102Z4
Serial No.1205001-1205750



TAKEUCHI

Takeuchi Tb020 Compact Excavator Parts Manual

Caterpillar Inc. Peoria, Ill..



Takeuchi Tb020 Compact Excavator Parts Manual:

Parts Manual Caterpillar Inc. Peoria, Ill.,1996 Parts Manual Caterpillar Inc. Peoria, Ill.,1993 Parts Manual
Caterpillar Inc. Peoria, Ill.,1995 **Parts Manual** Caterpillar Inc. Peoria, Ill.,1993 **Parts Manual** Caterpillar Inc.
Peoria, Ill.,1994 Parts Manual Caterpillar Inc. Peoria, Ill.,1996 *Parts Manual* Caterpillar Inc. Peoria, Ill.,1994
Parts Manual Caterpillar Inc. Peoria, Ill.,1990 **Parts Manual** Caterpillar Inc. Peoria, Ill.,1995 **Parts Manual**
Caterpillar Inc. Peoria, Ill.,1992 **Parts Manual** Caterpillar Inc. Peoria, Ill.,1995 **Parts Manual** Caterpillar Inc.
Peoria, Ill.,1994 **Parts Manual** Caterpillar Inc. Peoria, Ill.,1993 *Parts Manual* Caterpillar Inc. Peoria, Ill.,1992
Parts Manual Caterpillar Inc. Peoria, Ill.,1998 **Parts Manual** Caterpillar Inc. Peoria, Ill.,1995 **Parts Manual**
Caterpillar Inc. Peoria, Ill.,1994 **Parts Manual** Caterpillar Inc. Peoria, Ill.,1994 **Parts Manual** Caterpillar Inc.
Peoria, Ill.,1991 **Parts Manual** Caterpillar Inc. Peoria, Ill.,1993

As recognized, adventure as skillfully as experience virtually lesson, amusement, as with ease as treaty can be gotten by just checking out a book **Takeuchi Tb020 Compact Excavator Parts Manual** plus it is not directly done, you could acknowledge even more in this area this life, more or less the world.

We manage to pay for you this proper as without difficulty as simple artifice to get those all. We present Takeuchi Tb020 Compact Excavator Parts Manual and numerous book collections from fictions to scientific research in any way. in the middle of them is this Takeuchi Tb020 Compact Excavator Parts Manual that can be your partner.

<https://about.livewellcolorado.org/About/Resources/index.jsp/Strategic%20Management%206th%20Edition.pdf>

Table of Contents Takeuchi Tb020 Compact Excavator Parts Manual

1. Understanding the eBook Takeuchi Tb020 Compact Excavator Parts Manual
 - The Rise of Digital Reading Takeuchi Tb020 Compact Excavator Parts Manual
 - Advantages of eBooks Over Traditional Books
2. Identifying Takeuchi Tb020 Compact Excavator Parts Manual
 - Exploring Different Genres
 - Considering Fiction vs. Non-Fiction
 - Determining Your Reading Goals
3. Choosing the Right eBook Platform
 - Popular eBook Platforms
 - Features to Look for in an Takeuchi Tb020 Compact Excavator Parts Manual
 - User-Friendly Interface
4. Exploring eBook Recommendations from Takeuchi Tb020 Compact Excavator Parts Manual
 - Personalized Recommendations
 - Takeuchi Tb020 Compact Excavator Parts Manual User Reviews and Ratings
 - Takeuchi Tb020 Compact Excavator Parts Manual and Bestseller Lists
5. Accessing Takeuchi Tb020 Compact Excavator Parts Manual Free and Paid eBooks

- Takeuchi Tb020 Compact Excavator Parts Manual Public Domain eBooks
 - Takeuchi Tb020 Compact Excavator Parts Manual eBook Subscription Services
 - Takeuchi Tb020 Compact Excavator Parts Manual Budget-Friendly Options
6. Navigating Takeuchi Tb020 Compact Excavator Parts Manual eBook Formats
 - ePub, PDF, MOBI, and More
 - Takeuchi Tb020 Compact Excavator Parts Manual Compatibility with Devices
 - Takeuchi Tb020 Compact Excavator Parts Manual Enhanced eBook Features
 7. Enhancing Your Reading Experience
 - Adjustable Fonts and Text Sizes of Takeuchi Tb020 Compact Excavator Parts Manual
 - Highlighting and Note-Taking Takeuchi Tb020 Compact Excavator Parts Manual
 - Interactive Elements Takeuchi Tb020 Compact Excavator Parts Manual
 8. Staying Engaged with Takeuchi Tb020 Compact Excavator Parts Manual
 - Joining Online Reading Communities
 - Participating in Virtual Book Clubs
 - Following Authors and Publishers Takeuchi Tb020 Compact Excavator Parts Manual
 9. Balancing eBooks and Physical Books Takeuchi Tb020 Compact Excavator Parts Manual
 - Benefits of a Digital Library
 - Creating a Diverse Reading Collection Takeuchi Tb020 Compact Excavator Parts Manual
 10. Overcoming Reading Challenges
 - Dealing with Digital Eye Strain
 - Minimizing Distractions
 - Managing Screen Time
 11. Cultivating a Reading Routine Takeuchi Tb020 Compact Excavator Parts Manual
 - Setting Reading Goals Takeuchi Tb020 Compact Excavator Parts Manual
 - Carving Out Dedicated Reading Time
 12. Sourcing Reliable Information of Takeuchi Tb020 Compact Excavator Parts Manual
 - Fact-Checking eBook Content of Takeuchi Tb020 Compact Excavator Parts Manual
 - Distinguishing Credible Sources
 13. Promoting Lifelong Learning
 - Utilizing eBooks for Skill Development

- Exploring Educational eBooks
14. Embracing eBook Trends
- Integration of Multimedia Elements
 - Interactive and Gamified eBooks

Takeuchi Tb020 Compact Excavator Parts Manual Introduction

Free PDF Books and Manuals for Download: Unlocking Knowledge at Your Fingertips In today's fast-paced digital age, obtaining valuable knowledge has become easier than ever. Thanks to the internet, a vast array of books and manuals are now available for free download in PDF format. Whether you are a student, professional, or simply an avid reader, this treasure trove of downloadable resources offers a wealth of information, conveniently accessible anytime, anywhere. The advent of online libraries and platforms dedicated to sharing knowledge has revolutionized the way we consume information. No longer confined to physical libraries or bookstores, readers can now access an extensive collection of digital books and manuals with just a few clicks. These resources, available in PDF, Microsoft Word, and PowerPoint formats, cater to a wide range of interests, including literature, technology, science, history, and much more. One notable platform where you can explore and download free Takeuchi Tb020 Compact Excavator Parts Manual PDF books and manuals is the internet's largest free library. Hosted online, this catalog compiles a vast assortment of documents, making it a veritable goldmine of knowledge. With its easy-to-use website interface and customizable PDF generator, this platform offers a user-friendly experience, allowing individuals to effortlessly navigate and access the information they seek. The availability of free PDF books and manuals on this platform demonstrates its commitment to democratizing education and empowering individuals with the tools needed to succeed in their chosen fields. It allows anyone, regardless of their background or financial limitations, to expand their horizons and gain insights from experts in various disciplines. One of the most significant advantages of downloading PDF books and manuals lies in their portability. Unlike physical copies, digital books can be stored and carried on a single device, such as a tablet or smartphone, saving valuable space and weight. This convenience makes it possible for readers to have their entire library at their fingertips, whether they are commuting, traveling, or simply enjoying a lazy afternoon at home. Additionally, digital files are easily searchable, enabling readers to locate specific information within seconds. With a few keystrokes, users can search for keywords, topics, or phrases, making research and finding relevant information a breeze. This efficiency saves time and effort, streamlining the learning process and allowing individuals to focus on extracting the information they need. Furthermore, the availability of free PDF books and manuals fosters a culture of continuous learning. By removing financial barriers, more people can access educational resources and pursue lifelong learning, contributing to personal growth and professional development. This democratization of knowledge

promotes intellectual curiosity and empowers individuals to become lifelong learners, promoting progress and innovation in various fields. It is worth noting that while accessing free Takeuchi Tb020 Compact Excavator Parts Manual PDF books and manuals is convenient and cost-effective, it is vital to respect copyright laws and intellectual property rights. Platforms offering free downloads often operate within legal boundaries, ensuring that the materials they provide are either in the public domain or authorized for distribution. By adhering to copyright laws, users can enjoy the benefits of free access to knowledge while supporting the authors and publishers who make these resources available. In conclusion, the availability of Takeuchi Tb020 Compact Excavator Parts Manual free PDF books and manuals for download has revolutionized the way we access and consume knowledge. With just a few clicks, individuals can explore a vast collection of resources across different disciplines, all free of charge. This accessibility empowers individuals to become lifelong learners, contributing to personal growth, professional development, and the advancement of society as a whole. So why not unlock a world of knowledge today? Start exploring the vast sea of free PDF books and manuals waiting to be discovered right at your fingertips.

FAQs About Takeuchi Tb020 Compact Excavator Parts Manual Books

How do I know which eBook platform is the best for me? Finding the best eBook platform depends on your reading preferences and device compatibility. Research different platforms, read user reviews, and explore their features before making a choice. Are free eBooks of good quality? Yes, many reputable platforms offer high-quality free eBooks, including classics and public domain works. However, make sure to verify the source to ensure the eBook credibility. Can I read eBooks without an eReader? Absolutely! Most eBook platforms offer web-based readers or mobile apps that allow you to read eBooks on your computer, tablet, or smartphone. How do I avoid digital eye strain while reading eBooks? To prevent digital eye strain, take regular breaks, adjust the font size and background color, and ensure proper lighting while reading eBooks. What the advantage of interactive eBooks? Interactive eBooks incorporate multimedia elements, quizzes, and activities, enhancing the reader engagement and providing a more immersive learning experience. Takeuchi Tb020 Compact Excavator Parts Manual is one of the best book in our library for free trial. We provide copy of Takeuchi Tb020 Compact Excavator Parts Manual in digital format, so the resources that you find are reliable. There are also many Ebooks of related with Takeuchi Tb020 Compact Excavator Parts Manual. Where to download Takeuchi Tb020 Compact Excavator Parts Manual online for free? Are you looking for Takeuchi Tb020 Compact Excavator Parts Manual PDF? This is definitely going to save you time and cash in something you should think about.

Find Takeuchi Tb020 Compact Excavator Parts Manual :

[strategic management 6th edition](#)

[storytown grade 3 power points](#)

[structure a compare and contrast essay](#)

structure of starfish biology if8765 page 68

[str dg510 manual](#)

[student activity manual contacts valette](#)

[stratford upon avon travel guide](#)

[strawberry pie filling recipe](#)

[strenght of materials solution manual](#)

stryker 1005 stretcher manual

story of three little pigs for children

street law eighth edition manual

[stryker vdt manual](#)

[story town the grand canyon](#)

[stratocaster buying guide](#)

Takeuchi Tb020 Compact Excavator Parts Manual :

Key to Vocab Lessons.pdf Wordly Wise 3000 Book 7 Student Book Answer Key. 3. Page 4. Lesson 3. 3A Finding Meanings p. 23. 1. b-c 5. c-b. 8. d-a. 2. d-a. 6. a-d. 9. a-d. 3. d-a. 7. a-d. Wordly Wise, Grade 7 - Key | PDF PNONawN Wordly Wise 3000 « Student Book Answer Key 7 7 10. The claims are not plausible. 11. The evidence would have to be conclusive. 12. People would ... Wordly Wise 3000 Book 7 & Answer Key It is scheduled as optional in the Language Arts H Instructor's Guide. ... Consumable. Introduces students to 300 vocabulary words. Students learn the meaning and ... Wordly Wise 4th Edition Book 7 Answer Key... www.ebsbooks.ca Wordly Wise 3000 Answer Key Full PDF Grade 11." Wordly Wise 3000 Book 7 AK 2012-04-09 3rd Edition This answer key accompanies the sold- separately Wordly Wise 3000, Book 10, 3rd Edition. WebAug ... Wordly Wise 3000 Book 7: Systematic Academic ... Our resource for Wordly Wise 3000 Book 7: Systematic Academic Vocabulary Development includes answers to chapter exercises, as well as detailed information to ... Wordly Wise 3000 Book 7 - Answer Key Detailed Description The 12-page key to Wordly Wise 3000, Book 7 contains the answers to the exercises. Author: Kenneth Hodkinson Grade: 10 Pages: 12, ... Wordly Wise 3000 book 7 lesson 1 answers Flashcards Study

with Quizlet and memorize flashcards containing terms like 1A: 1., 2., 3. and more. Wordly Wise 3000 (4th Edition) Grade 7 Key The Wordly Wise 3000 (4th edition) Grade 7 Answer Key provides the answers to the lesson in the Wordly Wise, 4th edition, Grade 7 student book. International Safety Guide for Oil Tankers and Terminals ... This Sixth Edition encompasses the latest thinking on a range of topical issues including gas detection, the toxicity and the toxic effects of petroleum ... ISGOTT, 6th Edition International Safety Guide for Oil ... This sixth edition of ISGOTT has been revised and updated by industry experts to provide essential guidance on current technology, best practice and legislation ... ISGOTT (International Safety Guide for Oil Tankers... by ICS Book overview. Effective management of health, safety and environmental protection is critical to the tanker industry. This Sixth Edition of ISGOTT ... ISGOTT, 6th Edition 2020 (International Safety Guide for Oil ... This Sixth Edition of ISGOTT has been revised and updated by industry experts to provide essential guidance on current technology, best practice and legislation ... ISGOTT 6th Edition - International Safety Guide for Oil ... Sixth Edition are fully understood and are incorporated in safety management systems and procedures. This new edition covers a range of topical issues ... ISGOTT, 6th Edition 2020 (International Safety Guide for Oil ... ISGOTT, 6th Edition 2020 (International Safety Guide for Oil Tankers and Terminals ; Item Number. 305025374130 ; Type. Reference ; Author. ICS ; Accurate description. ISGOTT 6th edition (pdf free download) - YouTube ISGOTT - International Safety Guide for Oil Tankers and ... This new edition covers a range of topical issues including gas detection, the toxicity and the toxic effects of petroleum products (including benzene and ... International Safety Guide for Oil Tankers and Terminals ... International Safety Guide for Oil Tankers and Terminals (ISGOTT), Sixth Edition ... New in the sixth edition. This new edition covers a range of topical issues ... Isgott 6th edition free download Isgott 6th edition free download. Safe transfer operations depend on good ... This Sixth Edition encompasses the latest thinking on a range of topical issues ... How To Escape Your Prison A Moral Reconciliation Therapy ... answers with How To Escape Your Prison A. Moral Reconciliation Therapy Workbook To get started finding How To Escape Your Prison A. Moral Reconciliation Therapy ... Mrt Workbook Answers Step 4 Assessment Of My Life (book) WebReduce prison costs. Why Does MRT Work? Currently in 50 states and 7 different ... Start your eBook Mrt Workbook Answers Step 4 Assessment Of My Life. FAQs ... How To Escape Your Prison The workbook addresses all of the issues related to criminal thinking and criminal needs. Target Population & Use. The book is used with all types of offenders ... Moral Reconciliation Therapy How to Escape Your Prison. • Prisons without walls. • Moral Reconciliation Therapy. Textbook. • Influence of those incarcerated. • Purchased by the client for \$25. Focus4 2E Workbook Answers | PDF | Cognition © Pearson Education Limited Focus 4 Second Edition 1. Workbook answer key. 4 incorrect - Check if a photo is Exercise 7 Exercise 7 Exercise 5 required in the ... Mrt Workbook Answers Recognizing the quirk ways to get this books How To Escape Your Prison Workbook Answers ... Workbook Answers">How To Escape Your Prison Workbook Answers. PDF Mrt ... Chains Study Guide and Student Workbook Forensic CBT: A Handbook for Clinical Practice