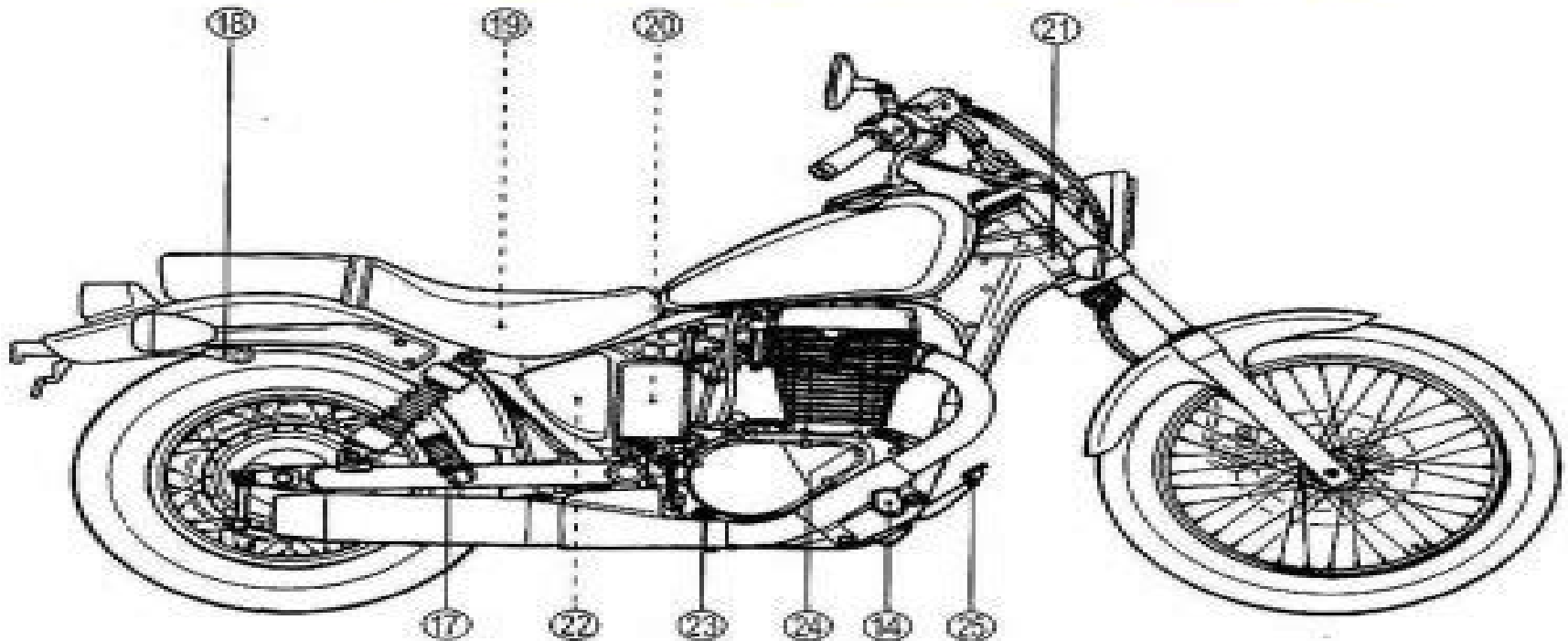


SUZUKI

LS650

OWNER'S MANUAL



Suzuki S40 Owners Manual

Roman Wölfel



Suzuki S40 Owners Manual:

VW Polo Petrol & Diesel Service & Repair Manual R. M. Jex,2007 Hatchback including special limited editions Does NOT cover features specific to Dune models or facelifted Polo range introduced June 2005 Petrol 1 2 litre 1198cc 3 cyl 1 4 litre 1390cc non FSI 4 cyl Does NOT cover 1 4 litre FSI engines Diesel 1 4 litre 1422cc 3 cyl 1 9 litre 1896cc 4 cyl inc PD TDI turbo *American Motorcyclist* ,2004-09 *American Motorcyclist* magazine the official journal of the American Motorcyclist Association tells the stories of the people who make motorcycling the sport that it is It s available monthly to AMA members Become a part of the largest most diverse and most enthusiastic group of riders in the country by visiting our website or calling 800 AMA JOIN Popular Mechanics ,2004-10 *Popular Mechanics* inspires instructs and influences readers to help them master the modern world Whether it s practical DIY home improvement tips gadgets and digital technology information on the newest cars or the latest breakthroughs in science PM is the ultimate guide to our high tech lifestyle **Cycle World** ,2005 *Ward's Automobile Topics* ,1961 **Automotive News** ,2004 The British National Bibliography Arthur James Wells,1968 *Lemon-Aid Used Cars and Trucks 2009-2010* Phil Edmonston,2009-02-16 For the first time in one volume Phil Edmonston Canada s automotive Dr Phil covers all used vehicles packing this guide with insider tips to help the consumer make the safest and cheapest choice possible from cars and trucks of the past 25 years Lemon-Aid Used Cars and Trucks 2010-2011 Phil Edmonston,2010-05-11 *Lemon Aid Used Cars and Trucks 20102011* shows buyers how to pick the cheapest and most reliable vehicles from the past 30 years of production This book offers an exposé gas consumption lies a do it yourself service manual an archive of service bulletins granting free repairs and more **American Motorcyclist** ,1989-03 *American Motorcyclist* magazine the official journal of the American Motorcyclist Association tells the stories of the people who make motorcycling the sport that it is It s available monthly to AMA members Become a part of the largest most diverse and most enthusiastic group of riders in the country by visiting our website or calling 800 AMA JOIN Lemon-Aid Used Cars and Trucks 2011-2012 Phil Edmonston,2011-04-25 As Toyota skids into an ocean of problems and uncertainty continues in the U S automotive industry *Lemon Aid Used Cars and Trucks 20112012* shows buyers how to pick the cheapest and most reliable vehicles from the past 30 years *Lemon Aid* guides are unlike any other car and truck books on the market Phil Edmonston Canada s automotive Dr Phil for 40 years pulls no punches Like five books in one *Lemon Aid Used Cars and Trucks* is an exposé of car scams and gas consumption lies a do it yourself service manual an independent guide that covers beaters lemons and collectibles an archive of secret service bulletins granting free repairs and a legal primer that even lawyers cant beat Phil delivers the goods on free fixes for Chrysler Ford and GM engine transmission brake and paint defects lets you know about Corvette and Mustang tops that fly off gives the lowdown on Honda Hyundai and Toyota engines and transmissions and provides the latest information on computer module glitches *Autocar* ,2005 **Whitaker's Cumulative Book List** ,1974 **Suzuki GT, ZR & TS50** Jeremy Churchill,1984 Business Review Weekly ,1997

Suzuki GSX-R600 and 750 Service and Repair Manual Matthew Coombs,2009 GSX R600K6 599cc 2006 GSX R600K7 599cc 2007 GSX R600K8 599cc 2008 GSX R600K9 599cc 2009 GSX R750K6 750cc 2006 GSX R750K7 750cc 2007 GSX R750K8 750cc 2008 GSX R750K9 750cc 2009 Suzuki Max Haynes,2009-01-01 Haynes offers the best coverage for cars trucks vans SUVs and motorcycles on the market today Each manual contains easy to follow step by step instructions linked to hundreds of photographs and illustrations Included in every manual troubleshooting section to help identify specific problems tips that give valuable short cuts to make the job easier and eliminate the need for special tools notes cautions and warnings for the home mechanic color spark plug diagnosis and an easy to use index *Suzuki 150 Model S32-2 Service Manual* United States Suzuki Motor Corporation,1965 **Suzuki GT, ZR & TS50 Owners Workshop Manual** Jeremy Churchill,1986 *Suzuki Volusia/Boulevard C50 (2001-2019) Clymer Repair Manual* Clymer Publications,2020-02-25 Complete coverage for your 2001 20019 Suzuki Volusia Boulevard C50 Routine maintenance and servicing Tune up procedures Engine clutch and transmission repair Cooling system Fuel and exhaust Ignition and electrical systems Brakes wheels and tires Steering suspension and final drive Frame and bodywork Wiring diagrams Reference Section With a Clymer manual you can do it yourself from simple maintenance to basic repairs Clymer writes every book based on a complete teardown of the motorcycle We learn the best ways to do a job and that makes it quicker easier and cheaper for you Our books have clear instructions and hundreds of photographs that show each step Whether you re a beginner or a pro you can save big with Clymer Step by step procedures Easy to follow photos Complete troubleshooting section Valuable short cuts Model history and pre ride checks in color Color spark plug diagnosis and wiring diagrams Tools and workshop tips section in color

Embark on a transformative journey with Explore the World with is captivating work, Grab Your Copy of **Suzuki S40 Owners Manual** . This enlightening ebook, available for download in a convenient PDF format Download in PDF: , invites you to explore a world of boundless knowledge. Unleash your intellectual curiosity and discover the power of words as you dive into this riveting creation. Download now and elevate your reading experience to new heights .

<https://about.livewellcolorado.org/public/virtual-library/Documents/Wine%20At%20Thanksgiving%20Talking%20Turkey%20With%20Glass%20In%20Hand.pdf>

Table of Contents Suzuki S40 Owners Manual

1. Understanding the eBook Suzuki S40 Owners Manual
 - The Rise of Digital Reading Suzuki S40 Owners Manual
 - Advantages of eBooks Over Traditional Books
2. Identifying Suzuki S40 Owners Manual
 - Exploring Different Genres
 - Considering Fiction vs. Non-Fiction
 - Determining Your Reading Goals
3. Choosing the Right eBook Platform
 - Popular eBook Platforms
 - Features to Look for in an Suzuki S40 Owners Manual
 - User-Friendly Interface
4. Exploring eBook Recommendations from Suzuki S40 Owners Manual
 - Personalized Recommendations
 - Suzuki S40 Owners Manual User Reviews and Ratings
 - Suzuki S40 Owners Manual and Bestseller Lists
5. Accessing Suzuki S40 Owners Manual Free and Paid eBooks
 - Suzuki S40 Owners Manual Public Domain eBooks
 - Suzuki S40 Owners Manual eBook Subscription Services

- Suzuki S40 Owners Manual Budget-Friendly Options
- 6. Navigating Suzuki S40 Owners Manual eBook Formats
 - ePub, PDF, MOBI, and More
 - Suzuki S40 Owners Manual Compatibility with Devices
 - Suzuki S40 Owners Manual Enhanced eBook Features
- 7. Enhancing Your Reading Experience
 - Adjustable Fonts and Text Sizes of Suzuki S40 Owners Manual
 - Highlighting and Note-Taking Suzuki S40 Owners Manual
 - Interactive Elements Suzuki S40 Owners Manual
- 8. Staying Engaged with Suzuki S40 Owners Manual
 - Joining Online Reading Communities
 - Participating in Virtual Book Clubs
 - Following Authors and Publishers Suzuki S40 Owners Manual
- 9. Balancing eBooks and Physical Books Suzuki S40 Owners Manual
 - Benefits of a Digital Library
 - Creating a Diverse Reading Collection Suzuki S40 Owners Manual
- 10. Overcoming Reading Challenges
 - Dealing with Digital Eye Strain
 - Minimizing Distractions
 - Managing Screen Time
- 11. Cultivating a Reading Routine Suzuki S40 Owners Manual
 - Setting Reading Goals Suzuki S40 Owners Manual
 - Carving Out Dedicated Reading Time
- 12. Sourcing Reliable Information of Suzuki S40 Owners Manual
 - Fact-Checking eBook Content of Suzuki S40 Owners Manual
 - Distinguishing Credible Sources
- 13. Promoting Lifelong Learning
 - Utilizing eBooks for Skill Development
 - Exploring Educational eBooks
- 14. Embracing eBook Trends

- Integration of Multimedia Elements
- Interactive and Gamified eBooks

Suzuki S40 Owners Manual Introduction

In the digital age, access to information has become easier than ever before. The ability to download Suzuki S40 Owners Manual has revolutionized the way we consume written content. Whether you are a student looking for course material, an avid reader searching for your next favorite book, or a professional seeking research papers, the option to download Suzuki S40 Owners Manual has opened up a world of possibilities. Downloading Suzuki S40 Owners Manual provides numerous advantages over physical copies of books and documents. Firstly, it is incredibly convenient. Gone are the days of carrying around heavy textbooks or bulky folders filled with papers. With the click of a button, you can gain immediate access to valuable resources on any device. This convenience allows for efficient studying, researching, and reading on the go. Moreover, the cost-effective nature of downloading Suzuki S40 Owners Manual has democratized knowledge. Traditional books and academic journals can be expensive, making it difficult for individuals with limited financial resources to access information. By offering free PDF downloads, publishers and authors are enabling a wider audience to benefit from their work. This inclusivity promotes equal opportunities for learning and personal growth. There are numerous websites and platforms where individuals can download Suzuki S40 Owners Manual. These websites range from academic databases offering research papers and journals to online libraries with an expansive collection of books from various genres. Many authors and publishers also upload their work to specific websites, granting readers access to their content without any charge. These platforms not only provide access to existing literature but also serve as an excellent platform for undiscovered authors to share their work with the world. However, it is essential to be cautious while downloading Suzuki S40 Owners Manual. Some websites may offer pirated or illegally obtained copies of copyrighted material. Engaging in such activities not only violates copyright laws but also undermines the efforts of authors, publishers, and researchers. To ensure ethical downloading, it is advisable to utilize reputable websites that prioritize the legal distribution of content. When downloading Suzuki S40 Owners Manual, users should also consider the potential security risks associated with online platforms. Malicious actors may exploit vulnerabilities in unprotected websites to distribute malware or steal personal information. To protect themselves, individuals should ensure their devices have reliable antivirus software installed and validate the legitimacy of the websites they are downloading from. In conclusion, the ability to download Suzuki S40 Owners Manual has transformed the way we access information. With the convenience, cost-effectiveness, and accessibility it offers, free PDF downloads have become a popular choice for students, researchers, and book lovers worldwide. However, it is crucial to engage in ethical downloading practices and prioritize personal security when utilizing online platforms. By doing

so, individuals can make the most of the vast array of free PDF resources available and embark on a journey of continuous learning and intellectual growth.

FAQs About Suzuki S40 Owners Manual Books

What is a Suzuki S40 Owners Manual PDF? A PDF (Portable Document Format) is a file format developed by Adobe that preserves the layout and formatting of a document, regardless of the software, hardware, or operating system used to view or print it. **How do I create a Suzuki S40 Owners Manual PDF?** There are several ways to create a PDF: Use software like Adobe Acrobat, Microsoft Word, or Google Docs, which often have built-in PDF creation tools. Print to PDF: Many applications and operating systems have a "Print to PDF" option that allows you to save a document as a PDF file instead of printing it on paper. Online converters: There are various online tools that can convert different file types to PDF. **How do I edit a Suzuki S40 Owners Manual PDF?** Editing a PDF can be done with software like Adobe Acrobat, which allows direct editing of text, images, and other elements within the PDF. Some free tools, like PDFescape or Smallpdf, also offer basic editing capabilities. **How do I convert a Suzuki S40 Owners Manual PDF to another file format?** There are multiple ways to convert a PDF to another format: Use online converters like Smallpdf, Zamzar, or Adobe Acrobats export feature to convert PDFs to formats like Word, Excel, JPEG, etc. Software like Adobe Acrobat, Microsoft Word, or other PDF editors may have options to export or save PDFs in different formats. **How do I password-protect a Suzuki S40 Owners Manual PDF?** Most PDF editing software allows you to add password protection. In Adobe Acrobat, for instance, you can go to "File" -> "Properties" -> "Security" to set a password to restrict access or editing capabilities. Are there any free alternatives to Adobe Acrobat for working with PDFs? Yes, there are many free alternatives for working with PDFs, such as: LibreOffice: Offers PDF editing features. PDFsam: Allows splitting, merging, and editing PDFs. Foxit Reader: Provides basic PDF viewing and editing capabilities. How do I compress a PDF file? You can use online tools like Smallpdf, ILovePDF, or desktop software like Adobe Acrobat to compress PDF files without significant quality loss. Compression reduces the file size, making it easier to share and download. Can I fill out forms in a PDF file? Yes, most PDF viewers/editors like Adobe Acrobat, Preview (on Mac), or various online tools allow you to fill out forms in PDF files by selecting text fields and entering information. Are there any restrictions when working with PDFs? Some PDFs might have restrictions set by their creator, such as password protection, editing restrictions, or print restrictions. Breaking these restrictions might require specific software or tools, which may or may not be legal depending on the circumstances and local laws.

Find Suzuki S40 Owners Manual :

wine at thanksgiving talking turkey with glass in hand

windows 8525 user manual

wire diagram for 1994 cadillac a c compressor

winneba nursing 2014 list

wiring an electrical outlet

wireshark official exam prep guide

wiring diagram 260 mercruiser v8

winning in trouble time crafflo dollar

wind lessons for third grade

wiring diagram 1998 toyota rav4

wireless stepper motor control using rf

wiring diagram 2005 ford taurus windows

winning college essays stanford

winchester model 56 manual

wiring a three way switch

Suzuki S40 Owners Manual :

curious george book wikipedia - May 31 2022

web curious george s big book of discovery 9781328857125 by h a rey hear about sales receive special offers more you can unsubscribe at any time

curious george s big book of discovery christianbook com - Apr 29 2022

web download or read book curious george s big book of discovery written by h a rey and published by hmh books for young readers this book was released on 2019 05

curious george s big book of curiosity amazon com - Mar 09 2023

web oct 24 2005 hardcover 11 95 47 used from 1 75 1 collectible from 40 00 this oversized paper over board concept book takes toddlers all over george s world and

read pdf curious georges big book of discovery online - Feb 25 2022

web book introduction there s so much to discover with curious george eight science themed stories based on the emmy

award winning pbs tv show are collected in one

curious george s big book of discovery ciltli kapak - Jun 12 2023

web curious george s big book of discovery rey h a amazon com tr kitap Çerez tercihlerinizi seçin Çerez bildirimimizde ayrıntılı şekilde açıklandığı üzere alışveriş

curious george s big book of discovery by h a rey goodreads - Jul 13 2023

web curious george s big book of discovery h a rey 4 67 6 ratings2 reviews there s so much to discover with curious george eight science themed stories based on the

curious george tv series 2006 2022 imdb - Mar 29 2022

web there s so much to discover with curious george eight science themed stories based on the emmy award winning pbs tv show are collected in one book with activities

curious george s big book of discovery curious george - Jan 07 2023

web there s so much to discover with curious george eight science themed stories based on the emmy award winning pbs tv show are collected in one book with activities

curious george s big book of discovery hardcover amazon ca - Dec 06 2022

web may 7 2019 there s so much to discover with curious george eight science themed stories based on the emmy award winning pbs tv show are collected in one book with

curious george s big book of discovery harpercollins - Apr 10 2023

web may 7 2019 there s so much to discover with curious george eight science themed stories based on the emmy award winning pbs tv show are collected in one book with

curious george s big book of discovery rey h a - Jul 01 2022

web select the department you want to search in

curious george s big book of discovery open library - Nov 05 2022

web may 7 2019 curious george s big book of discovery by h a rey may 07 2019 hmh books for young readers edition hardcover

curious george s big book of curiosity by h a rey goodreads - Oct 24 2021

curious george s big book of discovery harpercollins - Nov 24 2021

curious george s big book of discovery hardcover amazon co uk - May 11 2023

web may 23 2019 there s so much to discover with curious george eight science themed stories based on the emmy award

winning pbs tv show are collected in one book with

curious george s big book of discovery amazon com - Aug 14 2023

web may 7 2019 curious george s big book of discovery hardcover may 7 2019 there s so much to discover with curious george eight science themed stories based

buy curious george s big book of discovery book by h a rey - Jan 27 2022

web there s so much to discover with curious george eight science themed stories based on the emmy award winning pbs tv show are collected in one book with activities

curious george s big book of discovery hardcover amazon ae - Oct 04 2022

web select the department you want to search in

curious george s big book of discovery hardcover - Sep 03 2022

web there s so much to discover with curious george eight science themed stories based on the emmy award winning pbs tv show are collected in one book with activities

curious george s big book of disco picture book - Aug 02 2022

web view book summary see book reviews add to wishlist find books with similar themes bookroo store books reading search 4 7 5 goodreads curious george s big

curious george s big book of discovery reviews books price com - Dec 26 2021

web oct 24 2005 4 22 64 ratings5 reviews this oversized paper over board concept book takes toddlers all over george s world and theirs each page features a different

curious george s big book of discovery barnes noble - Feb 08 2023

web may 7 2019 there s so much to discover with curious george eight science themed stories based on the emmy award winning pbs tv show are collected in one book with

au commencement était le verbe translation into english - Aug 07 2023

web au commencement était le verbe nous dit on at the beginning was the verb as they told us au commencement était le verbe almsivi for in the beginning was the word almsivi au commencement était le verbe toutes choses ont été faites par lui jn 1 1 3 in the beginning was the word all things came to be through him jn 1 1 3

jean 1 bcc1923 bible youversion la bible app bible com - Feb 01 2023

web 1 au commencement était le verbe et le verbe était en dieu et le verbe était dieu 2 il était au commencement en dieu 3 tout par lui a été fait et sans lui n a été fait rien de ce qui existe 4 en lui était la vie et la vie était la lumière des hommes 5 et la lumière luit dans les ténèbres et les ténèbres ne l ont point reçue

au commencement était le verbe hozana - May 04 2023

web au commencement était le verbe et le verbe était auprès de dieu et le verbe était dieu jean 1 1 a la différence des évangiles de matthieu marc et luc qui présentent la naissance de jésus puis sa vie et son ministère l'évangile de jean présente jésus comme la parole de dieu qui était au commencement de tout comment

au commencement était le verbe *Érudit* - Nov 29 2022

web santeff c 1993 au commencement était le verbe moebius 56 65 72 au commencement Était le verbe catherine santeff rennes à l'arrêt d'autobus juste à la sortie de la gare des hommes se parlent sans doute des collègues de bureau elle a confiance puisqu'ils se parlent elle en aborde un au

au commencement était le verbe traduction anglaise linguae - Sep 08 2023

web au commencement était le verbe traduction anglaise linguae at the beginning adv at the outset adv in the beginning adv beginning n inception n opening n start n commencement n outset n initiation n onset n dawning n verbe verb n voir d'autres exemples voir d'autres traductions possibles

b pottier au commencement Était le verbe quelques - May 24 2022

web b pottier au commencement Était le verbe quelques aperçus de grégoire de nysse philpapers au commencement Était le verbe quelques aperçus de grégoire de nysse b pottier nouvelle revue théologique 121 4 543 556 1999 copy bibtex

les sons réparateurs au commencement était le verbe - Aug 27 2022

web holopsonie les sons r eacute parateurs laquo au commencement eacute tait le verbe raquo dans la plupart des traditions les plus anciennes nous retrouvons l'id eacute e que le monde s'est matérialisé par le son

jean 1 1 au commencement était le verbe et le verbe était en - Apr 03 2023

web jean 1 1 au commencement était le verbe et le verbe était en dieu et le verbe était dieu bible catholique crampon 1923 bcc1923 télécharger la bible app maintenant la bible app bible com

peter lang verlag au commencement était le verbe syntaxe - Dec 31 2022

web cet ouvrage réunit vingt deux articles portant sur la linguistique du verbe morphologie syntaxe sémantique pragmatique mais aussi sur des questions de typologie des langues de prosodie et d'analyse de discours

au commencement était le verbe ensuite vint l'orthographe - Mar 22 2022

web jean 1 1 au commencement tait la parole et la parole fr au commencement tait le verbe ensuite vint la poésie de l'enchantement apollinaire en 1908 revue de mots au commencement

au commencement a c tait le verbe p grenet book - Jun 24 2022

web l'aréopage actes 17 on y découvre en germe les thèmes révélateurs de la pensée du futur pape jean paul ii la dignité de l'homme appelé à rechercher la vérité et le bien la rédemption la prière l'évangélisation tombés dans l'oubli durant des décennies et redécouverts en 2018 ces

au commencement était le verbe mais c est quoi le verbe - Jul 26 2022

web feb 18 2019 la volonté divine via le verbe a été proclamée au commencement mais n a pas eu lieu qu au début et seulement au début non le verbe est sans début et sans fin a chaque instant constamment le verbe s exprime

au commencement était le verbe semantic scholar - Sep 27 2022

web au commencement était le verbe inproceedings scaraffia1995auc title au commencement e tait le verbe author lucetta scaraffia year 1995 l scaraffia published 1995 art

aelf evangile de jésus christ selon saint jean chapitre 1 - Jul 06 2023

web evangile de jésus christ selon saint jean 01 au commencement était le verbe et le verbe était auprès de dieu et le verbe était dieu 02 il était au commencement auprès de dieu 03 c est par lui que tout est venu à l existence et rien

au commencement traduction en anglais reverso context - Oct 29 2022

web traduction de au commencement en anglais adverbe at the beginning in the beginning initially at the start at first at the outset at the first voir plus après vingt cinq ans je suis juste au commencement after twenty five years i m just at the beginning nous vivons au commencement d une grande révolution industrielle

au commencement était le verbe by origène nicolas waquet - Feb 18 2022

web may 19 2023 créateur au mencement était le verbe et le verbe était dieu pour éclairer la mission du christ sau au mencement était le verbe ci dessous le premier extrait de l Évangile à écouter et à entendre nous

traduction au commencement était le verbe en anglais - Mar 02 2023

web au commencement était le verbe nous dit on at the beginning was the verb as they told us au commencement était le verbe almsivi for in the beginning was the word almsivi au commencement était le verbe toutes choses ont été faites par lui jn 1 1 3 in the beginning was the word all things came to be through

au commencement était le verbe jeune afrique - Apr 22 2022

web au commencement était le verbe la bibliothèque nationale de france propose une grande exposition sur les manuscrits de la mer morte l occasion de comprendre comment la bible fut

english translation of au commencement était le verbe - Oct 09 2023

web au commencement était le verbe in the beginning was the word see full dictionary entry for verbe below collins french english dictionary by harpercollins publishers all rights reserved verbe verb masculine noun 1 linguistics verb 2 voix avoir le verbe sonore to have a sonorous voice 3 langage

3062 1 au commencement était le verbe l edifice - Jun 05 2023

web mar 13 2007 au commencement était le verbe vénérable maître et vous tous mes frères et soeurs en vos degrés et qualités au nom du gadlu et de l humanité j ai choisi de plancher sur le verset de saint jean au commencement était le verbe

saint jean un des 12 apôtres de jésus a écrit le 4 ème evangile et le livre de l apocalypse

sp001 20 volt cordless electric handheld garden spreader for fertilizer - Aug 03 2022

web seed spreader handheld with control dial for spreading rate to precisely control how much seed or salt you spread use as a spreader for lawns salt spreader grass seed spreader or fertilizer spreader with the 16 inch extra wide spreading path comaptible with earthwise 20 volt battery bl82120

amazon com scotts wizz spreader handheld power spreader - May 12 2023

web battery powered spreader you can use year round designed to spread grass seed lawn fertilizer and weed control products designed to cover up to 2 500 sq ft using scotts lawn care product 5 foot broadcast with control of edgeward technology our most advanced spreader yet powered by 4 aa batteries with 23 settings for unbeatable

best fertilizer spreaders 2023 best lawn spreaders popular mechanics - Nov 06 2022

web apr 12 2023 types of fertilizer spreaders broadly speaking fertilizer spreaders fall into one of three categories broadcast spreaders drop spreaders and handhelds like its winter weather twin

amazon com electric spreader - Mar 10 2023

web scotts wizz spreader handheld power spreader use year round covers up to 2 500 sq ft brown 12 287 2k bought in past month 2596 list 31 49 free delivery mon aug 28 spyker electric spreader 120 lb capacity model number s80 12010 large 12 13995 1 52997 free delivery yard tuff as 80lt12 lawn tractor spreader 12 volt

handheld spreaders lawn care the home depot - Sep 04 2022

web some of the most reviewed products in spreaders are the ryobi one 18v 1 gal spreader tool only with 579 reviews and the ryobi one 18v 1 gal spreader with 4 0 ah battery and charger with 481 reviews which brand has the largest assortment of spreaders at the home depot

5 best hand held spreaders 2023 reviews buyers guide - Aug 15 2023

web jun 20 2020 our top hand held spreaders solo 421 top rated best overall hand held spreader earthway 2750 large capacity comfortable simple to use scotts wizz small battery powered very affordable chapin 84600a waterproof inexpensive comfortable yard tuff ytf 25ss very lightweight well built

scotts wizz spreader 71131 the home depot - Jun 01 2022

web the wizz is a handheld power spreader that holds up to 2 500 sq ft of scotts lawn care products this spreader features scotts exclusive edgeward and handylock technology use it year round to feed seed weed and melt

18v one 1 gallon power spreader ryobi tools - Apr 30 2022

web oct 24 2018 specifications reviews support related make treating your lawn easy with this ryobi 18v one 1 gallon power spreader ideal for spreading seed fertilizer weed control and ice melt it s equipped with an adjustable knob to control the

flow rate and a sliding lever to adjust areas of distribution

amazon com handheld fertilizer spreader - Jun 13 2023

web uniwamo handheld power spreader for dewalt 18v 20v 60v li ion battery available year round grass seeds rock salt and de icer out doors battery not included brinly hhs3 5bh 5lb all season handheld spreader with easy fill design for seed ice melt

scotts wizz battery powered fertilizer seed and ice spreader - Jan 08 2023

web compare with similar items this item scotts wizz battery powered fertilizer seed and ice spreader scotts wizz spreader handheld power spreader use year round covers up to 2 500 sq ft brown expert gardener hand held seed spreader brinly hhs3 5bh 5lb

best hand held fertilizer spreader in 2023 reviews and - Feb 26 2022

web 1 day ago best for small yards scotts whirl hand powered spreader the scotts whirl hand powered spreader is a great way to get your yard work done quickly and easily this spreader is perfect for small yards and is great for year round use to weed seed fertilize and apply ice melt

what are the best handheld spreaders 9 top options to - Feb 09 2023

web a handheld spreader is the most portable and affordable option of the three types and is geared towards small yards gardens areas with impending objects and areas that require precise applications buying the best handheld spreader can be a bit overwhelming given the sea of products available

best hand held fertilizer and seed spreader bovees where - Dec 27 2021

web oct 16 2021 these are the top three picks we think are sure to impress best handheld grass seed spreader for professional use solo 421 portable spreader best hand seed spreader budget earthway 2750 hand operated spreader best handheld seed spreader for domestic use scotts wizz hand held spreader

12 best hand held fertilizer spreader for 2023 storables - Mar 30 2022

web aug 24 2023 the scotts wizz spreader is a battery powered handheld spreader designed for year round use it is perfect for spreading grass seed lawn fertilizer and weed control products with the ability to cover up to 2 500 sq ft this spreader features a 5 foot broadcast with control of edgeguard technology for unbeatable accuracy

one 18v 1 gal spreader tool only the home depot - Jul 02 2022

web 1 gallon tub ideal for use with granular pellet grass seed fertilizer weed control ice melt best of all it is part of the ryobi one system where any 18v one battery works with any 18v one product 3 year manufacturer s warranty includes p2402 18v 1 gallon power spreader and operator s manual

best fertiliser spreader reviews and buyers guide - Jan 28 2022

web what are fertiliser spreaders fertiliser spreaders are designed to make gardening easier any lawn especially in the hot

australian climate needs extra care and attention so as well as regular irrigation you ll need an annual fertiliser as an absolute minimum to keep your lawns looking lush and green

[amazon com battery spreader](#) - Apr 11 2023

web scotts wizz spreader handheld power spreader use year round covers up to 2 500 sq ft brown 12 277 2k bought in past month 2596 list 31 49 free delivery thu aug 24

[amazon com hand fertilizer spreader](#) - Oct 05 2022

web vbestlife 2l handheld spreader handheld fertilizer spreader plastic hand held grass seed spreader mini crop spreading salt sowing pot abs material salt spreader for snow ice green power spreader for dewalt 18v 20v battery seed spreader for year round covers up to 5 000 sq ft tool only no battery

[best fertilizer spreaders for home use in 2023 the spruce tools](#) - Dec 07 2022

web nov 16 2022 check latest price from higher capacity to putting the fertilizers in the right way this very model has got everything sorted overall this scotts turf edgeguard is the best fertilizer spreader for home use

amazon com battery operated spreader - Jul 14 2023

web earthwise sp001 20 volt cordless electric handheld fertilizer seed garden spreader tool only 11 save 23 5358 list 69 99 lowest price in 30 days free delivery wed aug 30 small business more buying choices