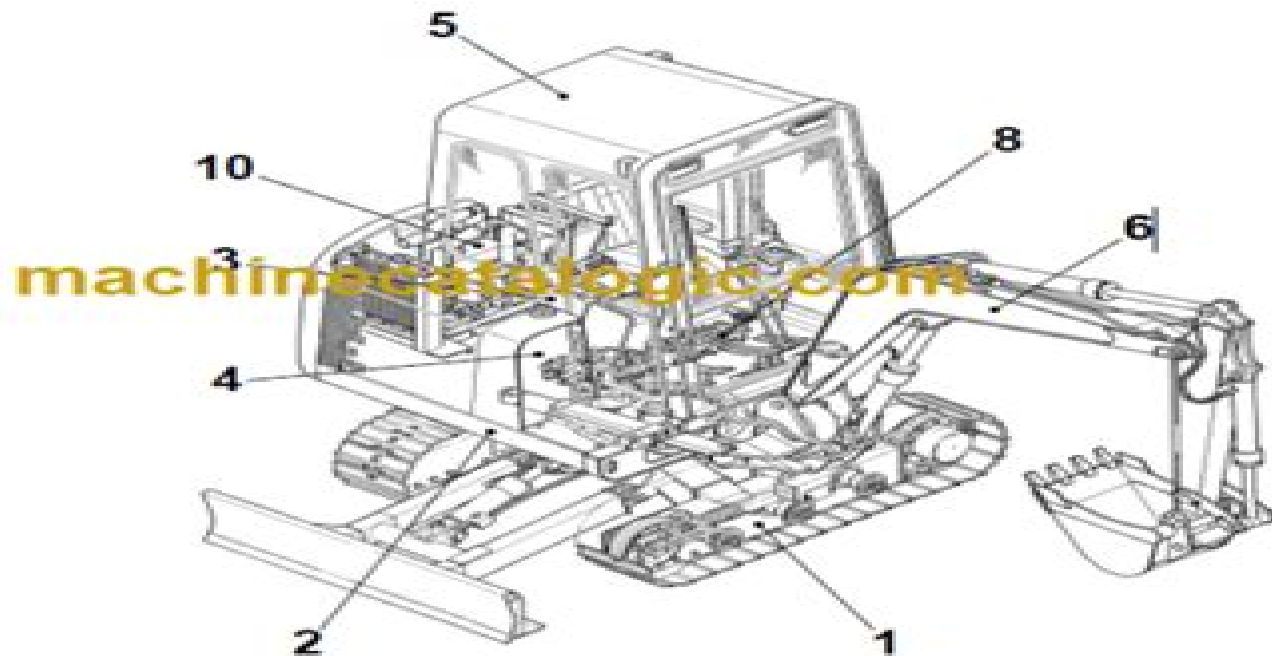


TB025

Book No. PE3-102Z5
Serial No. 1255001-1258249



TAIKOBUCHI II

Takeuchi Excavator Parts Catalog Manual Tb025

Pneumafil Corporation



Takeuchi Excavator Parts Catalog Manual Tb025:

Parts Manual Caterpillar Inc. Peoria, Ill.,1996

Service Manual and Parts Catalog Pneumafil Corporation,1931

Unveiling the Power of Verbal Art: An Emotional Sojourn through **Takeuchi Excavator Parts Catalog Manual Tb025**

In some sort of inundated with monitors and the cacophony of fast conversation, the profound power and mental resonance of verbal artistry usually disappear in to obscurity, eclipsed by the regular onslaught of sound and distractions. Yet, set within the musical pages of **Takeuchi Excavator Parts Catalog Manual Tb025**, a captivating perform of fictional elegance that pulses with natural thoughts, lies an unforgettable journey waiting to be embarked upon. Published by way of a virtuoso wordsmith, this magical opus books viewers on a mental odyssey, delicately exposing the latent possible and profound impact stuck within the complicated internet of language. Within the heart-wrenching expanse of this evocative examination, we will embark upon an introspective exploration of the book is central themes, dissect its charming writing style, and immerse ourselves in the indelible effect it leaves upon the depths of readers souls.

<https://about.livewellcolorado.org/results/publication/Documents/show%20ancillary%20paper%20for%20level4%20examination.pdf>

Table of Contents Takeuchi Excavator Parts Catalog Manual Tb025

1. Understanding the eBook Takeuchi Excavator Parts Catalog Manual Tb025
 - The Rise of Digital Reading Takeuchi Excavator Parts Catalog Manual Tb025
 - Advantages of eBooks Over Traditional Books
2. Identifying Takeuchi Excavator Parts Catalog Manual Tb025
 - Exploring Different Genres
 - Considering Fiction vs. Non-Fiction
 - Determining Your Reading Goals
3. Choosing the Right eBook Platform
 - Popular eBook Platforms
 - Features to Look for in an Takeuchi Excavator Parts Catalog Manual Tb025
 - User-Friendly Interface
4. Exploring eBook Recommendations from Takeuchi Excavator Parts Catalog Manual Tb025

- Personalized Recommendations
 - Takeuchi Excavator Parts Catalog Manual Tb025 User Reviews and Ratings
 - Takeuchi Excavator Parts Catalog Manual Tb025 and Bestseller Lists
5. Accessing Takeuchi Excavator Parts Catalog Manual Tb025 Free and Paid eBooks
 - Takeuchi Excavator Parts Catalog Manual Tb025 Public Domain eBooks
 - Takeuchi Excavator Parts Catalog Manual Tb025 eBook Subscription Services
 - Takeuchi Excavator Parts Catalog Manual Tb025 Budget-Friendly Options
 6. Navigating Takeuchi Excavator Parts Catalog Manual Tb025 eBook Formats
 - ePub, PDF, MOBI, and More
 - Takeuchi Excavator Parts Catalog Manual Tb025 Compatibility with Devices
 - Takeuchi Excavator Parts Catalog Manual Tb025 Enhanced eBook Features
 7. Enhancing Your Reading Experience
 - Adjustable Fonts and Text Sizes of Takeuchi Excavator Parts Catalog Manual Tb025
 - Highlighting and Note-Taking Takeuchi Excavator Parts Catalog Manual Tb025
 - Interactive Elements Takeuchi Excavator Parts Catalog Manual Tb025
 8. Staying Engaged with Takeuchi Excavator Parts Catalog Manual Tb025
 - Joining Online Reading Communities
 - Participating in Virtual Book Clubs
 - Following Authors and Publishers Takeuchi Excavator Parts Catalog Manual Tb025
 9. Balancing eBooks and Physical Books Takeuchi Excavator Parts Catalog Manual Tb025
 - Benefits of a Digital Library
 - Creating a Diverse Reading Collection Takeuchi Excavator Parts Catalog Manual Tb025
 10. Overcoming Reading Challenges
 - Dealing with Digital Eye Strain
 - Minimizing Distractions
 - Managing Screen Time
 11. Cultivating a Reading Routine Takeuchi Excavator Parts Catalog Manual Tb025
 - Setting Reading Goals Takeuchi Excavator Parts Catalog Manual Tb025
 - Carving Out Dedicated Reading Time
 12. Sourcing Reliable Information of Takeuchi Excavator Parts Catalog Manual Tb025

- Fact-Checking eBook Content of Takeuchi Excavator Parts Catalog Manual Tb025
 - Distinguishing Credible Sources
13. Promoting Lifelong Learning
- Utilizing eBooks for Skill Development
 - Exploring Educational eBooks
14. Embracing eBook Trends
- Integration of Multimedia Elements
 - Interactive and Gamified eBooks

Takeuchi Excavator Parts Catalog Manual Tb025 Introduction

In the digital age, access to information has become easier than ever before. The ability to download Takeuchi Excavator Parts Catalog Manual Tb025 has revolutionized the way we consume written content. Whether you are a student looking for course material, an avid reader searching for your next favorite book, or a professional seeking research papers, the option to download Takeuchi Excavator Parts Catalog Manual Tb025 has opened up a world of possibilities. Downloading Takeuchi Excavator Parts Catalog Manual Tb025 provides numerous advantages over physical copies of books and documents. Firstly, it is incredibly convenient. Gone are the days of carrying around heavy textbooks or bulky folders filled with papers. With the click of a button, you can gain immediate access to valuable resources on any device. This convenience allows for efficient studying, researching, and reading on the go. Moreover, the cost-effective nature of downloading Takeuchi Excavator Parts Catalog Manual Tb025 has democratized knowledge. Traditional books and academic journals can be expensive, making it difficult for individuals with limited financial resources to access information. By offering free PDF downloads, publishers and authors are enabling a wider audience to benefit from their work. This inclusivity promotes equal opportunities for learning and personal growth. There are numerous websites and platforms where individuals can download Takeuchi Excavator Parts Catalog Manual Tb025. These websites range from academic databases offering research papers and journals to online libraries with an expansive collection of books from various genres. Many authors and publishers also upload their work to specific websites, granting readers access to their content without any charge. These platforms not only provide access to existing literature but also serve as an excellent platform for undiscovered authors to share their work with the world. However, it is essential to be cautious while downloading Takeuchi Excavator Parts Catalog Manual Tb025. Some websites may offer pirated or illegally obtained copies of copyrighted material. Engaging in such activities not only violates copyright laws but also undermines the efforts of authors, publishers, and researchers. To ensure ethical downloading, it is advisable to utilize reputable websites that prioritize the legal distribution of content. When downloading Takeuchi Excavator Parts

Catalog Manual Tb025, users should also consider the potential security risks associated with online platforms. Malicious actors may exploit vulnerabilities in unprotected websites to distribute malware or steal personal information. To protect themselves, individuals should ensure their devices have reliable antivirus software installed and validate the legitimacy of the websites they are downloading from. In conclusion, the ability to download Takeuchi Excavator Parts Catalog Manual Tb025 has transformed the way we access information. With the convenience, cost-effectiveness, and accessibility it offers, free PDF downloads have become a popular choice for students, researchers, and book lovers worldwide. However, it is crucial to engage in ethical downloading practices and prioritize personal security when utilizing online platforms. By doing so, individuals can make the most of the vast array of free PDF resources available and embark on a journey of continuous learning and intellectual growth.

FAQs About Takeuchi Excavator Parts Catalog Manual Tb025 Books

What is a Takeuchi Excavator Parts Catalog Manual Tb025 PDF? A PDF (Portable Document Format) is a file format developed by Adobe that preserves the layout and formatting of a document, regardless of the software, hardware, or operating system used to view or print it. **How do I create a Takeuchi Excavator Parts Catalog Manual Tb025 PDF?** There are several ways to create a PDF: Use software like Adobe Acrobat, Microsoft Word, or Google Docs, which often have built-in PDF creation tools. Print to PDF: Many applications and operating systems have a "Print to PDF" option that allows you to save a document as a PDF file instead of printing it on paper. Online converters: There are various online tools that can convert different file types to PDF. **How do I edit a Takeuchi Excavator Parts Catalog Manual Tb025 PDF?** Editing a PDF can be done with software like Adobe Acrobat, which allows direct editing of text, images, and other elements within the PDF. Some free tools, like PDFescape or Smallpdf, also offer basic editing capabilities. **How do I convert a Takeuchi Excavator Parts Catalog Manual Tb025 PDF to another file format?** There are multiple ways to convert a PDF to another format: Use online converters like Smallpdf, Zamzar, or Adobe Acrobats export feature to convert PDFs to formats like Word, Excel, JPEG, etc. Software like Adobe Acrobat, Microsoft Word, or other PDF editors may have options to export or save PDFs in different formats. **How do I password-protect a Takeuchi Excavator Parts Catalog Manual Tb025 PDF?** Most PDF editing software allows you to add password protection. In Adobe Acrobat, for instance, you can go to "File" -> "Properties" -> "Security" to set a password to restrict access or editing capabilities. Are there any free alternatives to Adobe Acrobat for working with PDFs? Yes, there are many free alternatives for working with PDFs, such as: LibreOffice: Offers PDF editing features. PDFsam: Allows splitting, merging, and editing PDFs. Foxit Reader: Provides basic PDF viewing and editing capabilities. How do I compress a PDF file? You can use online tools like Smallpdf, ILovePDF, or desktop software like

Adobe Acrobat to compress PDF files without significant quality loss. Compression reduces the file size, making it easier to share and download. Can I fill out forms in a PDF file? Yes, most PDF viewers/editors like Adobe Acrobat, Preview (on Mac), or various online tools allow you to fill out forms in PDF files by selecting text fields and entering information. Are there any restrictions when working with PDFs? Some PDFs might have restrictions set by their creator, such as password protection, editing restrictions, or print restrictions. Breaking these restrictions might require specific software or tools, which may or may not be legal depending on the circumstances and local laws.

Find Takeuchi Excavator Parts Catalog Manual Tb025 :

show ancillary paper for level4 examination

short story kristin hunter

siemens masterdrives compact plus parameters list manual

short answer study guide questions the crucible key

short prayers for kids about spring

short lessons in world history walch education worksheets

show me a thesis paper

short story the necklace questions

short story fill in the blank

siemens cerberus cs1140 manual

shortcut through therapy ten principles of growth oriented contented living

si loin si proche de moi

short poems about end of school

siemens hipath 1150 user guide

si leader training manual

Takeuchi Excavator Parts Catalog Manual Tb025 :

ager age gate emotional release rifllessologie reg pdf graph - Oct 12 2022

web ager age gate emotional release rifllessologie reg downloaded from graph safehousetech com by guest brewer janiyah living proof adventures unlimited press a course in miracles teaches that the separation between man and god is an illusion the miracle in the title refers to a shift in perception that allows us to recognize our

[ager age gate emotional release riflissologie reg](#) - Mar 17 2023

web ager age gate emotional release riflissologie reg 3 3 uk tai est une nouvelle technique de rééquilibrage conscient des énergies intérieures il est né de la longue expérience de l auteur avec les techniques de conscience et de changement guidé cette méthode élégante et innovante permet une profonde transformation intérieure à

[ager age gate emotional release riflissologie reg raphael hefti](#) - Jun 20 2023

web ager age gate emotional release riflissologie reg is available in our digital library an online access to it is set as public so you can download it instantly our digital library hosts in multiple locations allowing you to get the most less latency time to

ager age gate emotional release riflissologie reg 2023 - Apr 18 2023

web ager age gate emotional release riflissologie reg 3 3 leadership the personality attributes of leaders power and influence trust and the qualities that sustain positive relationships between leaders and followers psychology press i m fucked the life i have lived for the past ten years is built solely on lies and secrets but i can t

ager definition of ager by medical dictionary - Apr 06 2022

web ager a gene on chromosome 6p21 3 that encodes a member of the immunoglobulin superfamily of cell surface receptors which interacts not only with advanced glycosylation end products but also molecules implicated in homeostasis development and inflammation as well as alzheimer s and other diseases

[ager meanings what does ager stand for all acronyms](#) - Jul 09 2022

web list of 15 best ager meaning forms based on popularity most common ager abbreviation full forms updated in august 2023 suggest ager meaning what does ager age gate emotional release 1 ager age research comma inc period 1 ager asociación gremial del empresariado rural 1 ager

ager gene genecards rage protein rage antibody - May 07 2022

web oct 4 2023 complete information for ager gene protein coding advanced glycosylation end product specific receptor including function proteins disorders pathways orthologs and expression genecards the human gene compendium

[ager age gate emotional release riflissologie reg uniport edu](#) - Nov 13 2022

web sep 24 2023 begin getting this info get the ager age gate emotional release riflissologie reg associate that we offer here and check out the link you could purchase guide ager age gate emotional release riflissologie reg or acquire it as soon as feasible you could quickly download this ager age gate emotional release riflissologie reg

ager age gate emotional release riflissologie reg - Sep 11 2022

web 2 ager age gate emotional release riflissologie reg 2023 06 29 and testimonials awakening to the fifth dimension will empower you to confront your own health struggles and find true lasting healing you ll discover methods to alleviate mental

emotional and physical ailments spiritual practices that will lift you into the realm of

ager age gate emotional release riflissologie reg uniport edu - Jun 08 2022

web ager age gate emotional release riflissologie reg is available in our digital library an online access to it is set as public so you can get it instantly our books collection spans in multiple locations allowing you to get the most less latency time to download any of our books like this one

ager age gate emotional release riflissologie reg download - Dec 14 2022

web ager age gate emotional release riflissologie reg thank you very much for reading ager age gate emotional release riflissologie reg maybe you have knowledge that people have look hundreds times for their chosen readings like this ager age gate emotional release riflissologie reg but end up in malicious downloads

ager age gate emotional release riflissologie reg pdf - May 19 2023

web oct 5 2023 of the books to browse ager age gate emotional release riflissologie reg pdf ager age gate emotional release riflissologie reg willem web apr 10 2023 uniport edu ng uniport edu ng ager age gate emotional release rifles

ager age gate emotional release riflissologie reg - Sep 23 2023

web ager age gate emotional release riflissologie reg downloaded from db csda org by guest hicks shaylee library of congress catalog springer adolescence is a critical growth period in which youth develop essential skills that prepare them for adulthood prevention and intervention programs are designed to meet the needs of adolescents who

ager age gate emotional release riflissologie reg copy - Jul 21 2023

web apr 1 2023 the notice ager age gate emotional release riflissologie reg that you are looking for it will certainly squander the time however below with you visit this web page it will be as a result enormously easy to acquire as competently as download guide ager age gate emotional release riflissologie reg it will not agree to many get older as we

ager age gate emotional release riflissologie reg pdf - Aug 22 2023

web ager the gates of time on the human body springer heaven s gate a secretive group of celibate monks awaiting pickup by a ufo captured intense public attention in 1997 when its members committed collective suicide

ager age gate emotional release riflissologie reg copy - Feb 16 2023

web ager age gate emotional release riflissologie reg 2 4 downloaded from uniport edu ng on october 3 2023 by guest allowing you to get the most less latency time to download any of our books like this one uniport edu ng uniport edu ng ager age gate emotional release rifle pdf

ager age gate emotional release riflissologie reg - Jan 15 2023

web ager age gate emotional release riflissologie reg downloaded from zapmap nissan co uk by guest burns braylon torrid affair ager age gate emotional release riflissologie regressive antitraumatiche dvd con librola felicità è

the age rage axis implications for age associated arterial - Mar 05 2022

web the process of advanced glycation leads to the generation and accumulation of an heterogeneous class of molecules called advanced glycation endproducts or ages ages are produced to accelerated degrees in disorders such as diabetes renal failure inflammation neurodegeneration and in aging further ages are present in foods and

ager human gene target pubchem - Feb 04 2022

web create 2016 09 14 modify 2023 09 28 description the advanced glycosylation end product age receptor encoded by the ager gene is a member of the immunoglobulin superfamily of cell surface receptors it is a multiligand receptor and besides age interacts with other molecules implicated in homeostasis development and inflammation and

ager age gate emotional release riflissologie reg pdf - Aug 10 2022

web jun 21 2023 ager age gate emotional release riflissologie reg 2 8 downloaded from uniport edu ng on june 21 2023 by guest 02 10 2019 26 01 2020 dialogues on architecture emilio faroldi 2022 01 20 he dialogue as the talking of the soul with itself that constitutes the act of thinking plato has been selected as the ideal form through which

read online biology 1 eoc jumpstart teacher edition pdf file - Aug 23 2022

web mar 4 2023 read online biology 1 eoc jumpstart teacher edition pdf file free handbook of social and emotional learning tools for teaching finish line for ells 2 0

read free biology 1 eoc jumpstart teacher edition pdf pdf - Jul 02 2023

web jun 18 2023 start getting this info get the biology 1 eoc jumpstart teacher edition pdf pdf colleague that we meet the expense of here and check out the link you could

biology eoc practice test 1 proprofs quiz - Oct 25 2022

web mar 20 2023 try this amazing biology eoc practice test 1 quiz which has been attempted 799 times by avid quiz takers also explore over 518 similar quizzes in this

biology 1 eoc jumpstart teacher edition pdf stage gapinc - Jan 16 2022

web biology 1 eoc jumpstart teacher edition created date 10 18 2020 2 04 00 ambiology 1 eoc jumpstart teacher editionbing biology 1 eoc jumpstart teacher the biology

biology1eocjumpstartteacheredition - Mar 18 2022

web 1 biology1eocjumpstartteacheredition thank you unquestionably much for downloading biology1eocjumpstartteacheredition most likely you have knowledge that

educart icse class 10 semester 1 main subjects bundle of - Feb 14 2022

web latest icse semester 1 class 10 main subjects bundle sample paper updated including detailed explanations for conceptual clarity at low price home free study material

ebook biology 1 eoc jumpstart teacher edition pdf pdf - Nov 25 2022

web jun 22 2023 to read just invest little time to gate this on line message biology 1 eoc jumpstart teacher edition pdf pdf as competently as review them wherever you are

read book biology 1 eoc jumpstart teacher edition pdf for free - May 20 2022

web may 20 2023 read book biology 1 eoc jumpstart teacher edition pdf for free jumpstart the jumpstart extra series aims to satisfy the increasing demand for non

biology 1 eoc jumpstart teacher edition full pdf cdn writermag - Oct 05 2023

web biology 1 eoc jumpstart teacher edition created date 10 18 2020 2 04 00 ambiology 1 eoc jumpstart teacher editionbing biology 1 eoc jumpstart teacher the biology

biology 1 eoc jumpstart teacher edition - Jul 22 2022

web dec 23 2022 biology 1 eoc jumpstart teacher edition 2 17 get free 360view yphs ntpc edu tw on december 23 2022 free download pdf right here we

biology release test and answer key eoc summer - Jan 28 2023

web eoc summer accelerated instruction program 2015 search this site home two ways to sign up english 1 retest july 6th 2800 days since algebra retest july 7th

biology1eocjumpstartteacheredition - Apr 18 2022

web 1 biology1eocjumpstartteacheredition if you ally infatuation such a referred biology1eocjumpstartteacheredition ebook that will find the money for you worth get

biology 1 eoc jumpstart teacher edition free pdf in 2022 - Jun 20 2022

web biology1eocjumpstartteachereditionbiology1eocjumpstartteachereditionpdfbiology1eoc jumpstartteachereditioneditionbiology1eocjumpstartteachereditionanswersbiology1eoc

coach jumpstart nc ready eoc edition biology pt 1 quizlet - Jun 01 2023

web study with quizlet and memorize flashcards containing terms like what summarizes the purpose of mitosis in multicellular eukaryotes a father with blood type ab and a mother

east tennessee state university - Feb 26 2023

web east tennessee state university

biology 1 eoc jumpstart teacher edition pdf pdf rce lms - Sep 23 2022

web sep 12 2023 you could enjoy now is biology 1 eoc jumpstart teacher edition pdf pdf below tools for teaching barbara gross davis 2009 07 17 this is the long awaited

biology 1 eoc jumpstart teacher edition 2023 store spiralny - Mar 30 2023

web subject biology 1 eoc jumpstart teacher edition keywords biology 1 eoc jumpstart teacher edition created date 10 18 2020 2 04 00 ambiology

[biology 1 eoc jumpstart teacher edition pdf uniport edu](#) - Sep 04 2023

web apr 21 2023 as this one merely said the biology 1 eoc jumpstart teacher edition is universally compatible in imitation of any devices to read everything you need to ace

[biology 1 eoc jumpstart teacher edition pdf full pdf](#) - Dec 27 2022

web 1 biology 1 eoc jumpstart teacher edition pdf getting the books biology 1 eoc jumpstart teacher edition pdf now is not type of inspiring means you could not

[biology 1 eoc jumpstart teacher edition db csda](#) - Aug 03 2023

web biology 1 eoc jumpstart teacher edition eoc biology review jumpstart week 1 flexbooks overview how to grow an instagram account from scratch with zero

[biology 1 eoc jumpstart teacher edition download only](#) - Dec 15 2021

web subject biology 1 eoc jumpstart teacher edition keywords biology 1 eoc jumpstart teacher edition created date 10 18 2020 2 04 00 ambiology

biology 1 eoc jumpstart teacher edition - Nov 13 2021

web feb 26 2023 biology 1 eoc jumpstart teacher edition is available in our book collection an online access to it is set as public so you can get it instantly our digital

[sign in google accounts](#) - Apr 30 2023

web learn how to create and share interactive lesson plans with google docs in this pdf guide for teachers find out how to use templates add images and collaborate with students

bca digital electronics and computer organisation syllabus 1st - Feb 07 2023

web published on august 5 2023 by bachelor exam table of contents 1 unit i logic gates and circuits digital electronics and computer organisation 2 unit ii combinational building block digital electronics and computer organisation 3 unit iii

memories digital electronics and computer organisation

[download bca university 1st sem digital electronics bca notes notes](#) - Sep 14 2023

web download digital electronics bca notes bca university notes questions from last year s exams curriculum books and study materials for the 1st sem semester at bca university

[for allahabad state university students digital electronics](#) - Apr 28 2022

web bca iind sem course code digital electronics bca s109 prepared by sushant srivastava assistant professor kulbhashkar ashram pg college formal proof of demorgan s theorems demorgan s theorems a b a b b a b a b note and operation proof of

demorgan s theorem b

[bca sem 3 unit 3 pdf digital electronics i notes teachmint](#) - Apr 09 2023

web jan 8 2022 [bca sem 3 unit 3 pdf digital electronics i notes teachmint](#)

[bca digital electronics notes 1 sem pdf](#) - Jan 06 2023

web bca digital electronics notes 1 sem advances in micro electronics embedded systems and iot sep 30 2022 this book discusses the latest developments and outlines future trends in the fields of microelectronics electromagnetics and telecommunication it contains original research works presented at the international

download free bca digital electronics notes 1 sem - May 30 2022

web digital electronics handwritten notes mar 13 2023 digital electronics handwritten notes is written by niranjan kumar it is specially prepared for ies gate psu and state level engineering services digital electronics ii class notes computer handbook

apr 14 2023 [foundation of digital electronics and logic design dec 18 2020](#)

[digital electronics notes for asu bca 2nd sem](#) - Feb 24 2022

web k rrrnh surn sun sum tún cell½ sum scanned with camscanner

[bca sem3 unit 2 pdf digital electronics i notes teachmint](#) - Nov 04 2022

web jan 11 2022 [notes of bca digital electronics i bca sem3 unit 2 pdf study material dashboard login login feedback logout](#)

[bca sem3 unit 2 pdf learning management system assessments fee management student information system admission management student tracking system](#)

[digital electronics bca notes digital electronics studocu](#) - Oct 15 2023

web digital electronics principles devices and applications is a comprehensive book covering in one volume both the fundamentals of digital electronics and the applications of digital devices and integrated circuits it is different from similar books on

digital electronics and computer organisation bca solved - Mar 08 2023

web aug 5 2023 [discover thorough notes on digital electronics and computer organisation from bca solved exam papers to succeed in your studies reveal the fundamentals of digital circuits and computer architecture dudes you want more useful details regarding this subject please keep in mind this as well](#)

[digital electronic and computer organisation bca notes](#) - Aug 13 2023

web nov 17 2022 [digital electronic and computer organisation bca notes](#) in this article have bca 2nd semester digital electronic and computer organisation unit wise notes here all unit notes available for digital electronic and computer organization digital electronic and computer organisation bca notes unit 1 logic gates and circuit

digital electronic bca 104 studocu - Jun 30 2022

web studying digital electronic bca 104 at bangalore university on studocu you will find 28 lecture notes practice materials tutorial work essays and much more for

digital electronics notes for bca 2023 cyberlab sutd edu sg - Aug 01 2022

web digital electronics notes for bca the ag electronics notes nov 10 2021 study notes for technicians feb 25 2023 notes for a course in physical electronics jun 24 2020 integrated circuits study guide with answer key apr 15 2022 integrated circuits study guide with answer key trivia questions bank worksheets to review

number system notes complete digital electronics teachmint - Dec 05 2022

web aug 26 2022 notes of bca electronics 1st sem digital electronics number system notes complete study material

digital electronics and computer organisation bca 204 studocu - Mar 28 2022

web studying digital electronics and computer organisation bca 204 at chaudhary charan singh university on studocu you will find 39 lecture notes mandatory

digital electronics and computer organisation b c a study - Jul 12 2023

web digital electronics and computer organisation unit 1 logic gates and circuit unit 2 combinational building blocks unit 3 memories unit 4 sequential building blocks unit 5 memory organisation like this loading

subject digital electronics code bca 106 unit i - Oct 03 2022

web fan out is a term that defines the maximum number of digital inputs that the output of a single logic gate can feed most transistor transistor logic ttl gates can feed up to 10 other digital gates or devices thus a typical ttl gate has a fan out of 10 characteristics of ecl nonsaturated digital logic family propagation rate as low as 1 2ns

lecture notes for digital electronics engineering docsity - Sep 02 2022

web download now thousands of lecture notes in digital electronics on docsity prepare for your exams get points guidelines and tips lecture notes for digital electronics for engineering s students no documents found press enter to search latest

uploaded digital electronics for bca boolean notes for engineering students

bca sem3 de unit 1 pdf digital electronics i notes teachmint - Jun 11 2023

web jan 8 2022 bca sem3 de unit 1 pdf digital electronics i notes teachmint

bca sem 3 unit 4 pdf digital electronics notes teachmint - May 10 2023

web jan 8 2022 bca sem 3 unit 4 pdf digital electronics i notes teachmint