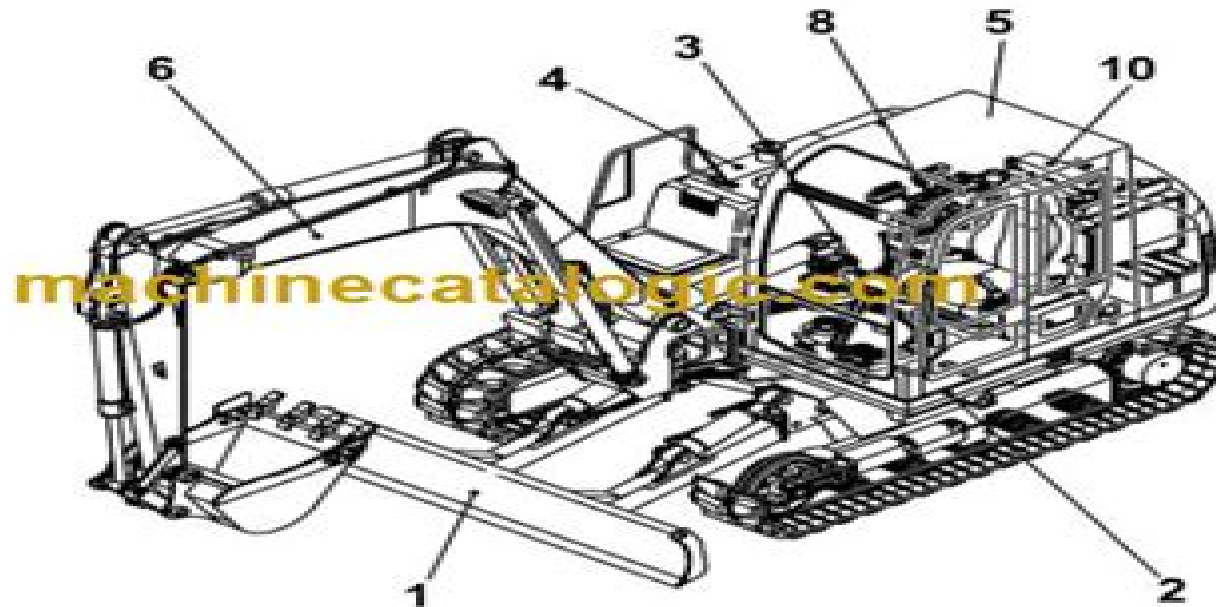


TB175

Book No. BL7Z002
Serial No. 17530001-



TAIKUUCHI

Takeuchi Excavator Parts Catalog Manual Tb175

Caterpillar Inc. Peoria, Ill..



Takeuchi Excavator Parts Catalog Manual Tb175:

Uncover the mysteries within Explore with is enigmatic creation, Discover the Intrigue in **Takeuchi Excavator Parts Catalog Manual Tb175** . This downloadable ebook, shrouded in suspense, is available in a PDF format (Download in PDF: *). Dive into a world of uncertainty and anticipation. Download now to unravel the secrets hidden within the pages.

<https://about.livewellcolorado.org/results/browse/fetch.php/trailer%20light%20wiring%20diagram%20color.pdf>

Table of Contents Takeuchi Excavator Parts Catalog Manual Tb175

1. Understanding the eBook Takeuchi Excavator Parts Catalog Manual Tb175
 - The Rise of Digital Reading Takeuchi Excavator Parts Catalog Manual Tb175
 - Advantages of eBooks Over Traditional Books
2. Identifying Takeuchi Excavator Parts Catalog Manual Tb175
 - Exploring Different Genres
 - Considering Fiction vs. Non-Fiction
 - Determining Your Reading Goals
3. Choosing the Right eBook Platform
 - Popular eBook Platforms
 - Features to Look for in an Takeuchi Excavator Parts Catalog Manual Tb175
 - User-Friendly Interface
4. Exploring eBook Recommendations from Takeuchi Excavator Parts Catalog Manual Tb175
 - Personalized Recommendations
 - Takeuchi Excavator Parts Catalog Manual Tb175 User Reviews and Ratings
 - Takeuchi Excavator Parts Catalog Manual Tb175 and Bestseller Lists
5. Accessing Takeuchi Excavator Parts Catalog Manual Tb175 Free and Paid eBooks
 - Takeuchi Excavator Parts Catalog Manual Tb175 Public Domain eBooks
 - Takeuchi Excavator Parts Catalog Manual Tb175 eBook Subscription Services
 - Takeuchi Excavator Parts Catalog Manual Tb175 Budget-Friendly Options
6. Navigating Takeuchi Excavator Parts Catalog Manual Tb175 eBook Formats

- ePub, PDF, MOBI, and More
 - Takeuchi Excavator Parts Catalog Manual Tb175 Compatibility with Devices
 - Takeuchi Excavator Parts Catalog Manual Tb175 Enhanced eBook Features
7. Enhancing Your Reading Experience
 - Adjustable Fonts and Text Sizes of Takeuchi Excavator Parts Catalog Manual Tb175
 - Highlighting and Note-Taking Takeuchi Excavator Parts Catalog Manual Tb175
 - Interactive Elements Takeuchi Excavator Parts Catalog Manual Tb175
 8. Staying Engaged with Takeuchi Excavator Parts Catalog Manual Tb175
 - Joining Online Reading Communities
 - Participating in Virtual Book Clubs
 - Following Authors and Publishers Takeuchi Excavator Parts Catalog Manual Tb175
 9. Balancing eBooks and Physical Books Takeuchi Excavator Parts Catalog Manual Tb175
 - Benefits of a Digital Library
 - Creating a Diverse Reading Collection Takeuchi Excavator Parts Catalog Manual Tb175
 10. Overcoming Reading Challenges
 - Dealing with Digital Eye Strain
 - Minimizing Distractions
 - Managing Screen Time
 11. Cultivating a Reading Routine Takeuchi Excavator Parts Catalog Manual Tb175
 - Setting Reading Goals Takeuchi Excavator Parts Catalog Manual Tb175
 - Carving Out Dedicated Reading Time
 12. Sourcing Reliable Information of Takeuchi Excavator Parts Catalog Manual Tb175
 - Fact-Checking eBook Content of Takeuchi Excavator Parts Catalog Manual Tb175
 - Distinguishing Credible Sources
 13. Promoting Lifelong Learning
 - Utilizing eBooks for Skill Development
 - Exploring Educational eBooks
 14. Embracing eBook Trends
 - Integration of Multimedia Elements
 - Interactive and Gamified eBooks

Takeuchi Excavator Parts Catalog Manual Tb175 Introduction

Takeuchi Excavator Parts Catalog Manual Tb175 Offers over 60,000 free eBooks, including many classics that are in the public domain. Open Library: Provides access to over 1 million free eBooks, including classic literature and contemporary works. Takeuchi Excavator Parts Catalog Manual Tb175 Offers a vast collection of books, some of which are available for free as PDF downloads, particularly older books in the public domain. Takeuchi Excavator Parts Catalog Manual Tb175 : This website hosts a vast collection of scientific articles, books, and textbooks. While it operates in a legal gray area due to copyright issues, its a popular resource for finding various publications. Internet Archive for Takeuchi Excavator Parts Catalog Manual Tb175 : Has an extensive collection of digital content, including books, articles, videos, and more. It has a massive library of free downloadable books. Free-eBooks Takeuchi Excavator Parts Catalog Manual Tb175 Offers a diverse range of free eBooks across various genres. Takeuchi Excavator Parts Catalog Manual Tb175 Focuses mainly on educational books, textbooks, and business books. It offers free PDF downloads for educational purposes. Takeuchi Excavator Parts Catalog Manual Tb175 Provides a large selection of free eBooks in different genres, which are available for download in various formats, including PDF. Finding specific Takeuchi Excavator Parts Catalog Manual Tb175, especially related to Takeuchi Excavator Parts Catalog Manual Tb175, might be challenging as theyre often artistic creations rather than practical blueprints. However, you can explore the following steps to search for or create your own Online Searches: Look for websites, forums, or blogs dedicated to Takeuchi Excavator Parts Catalog Manual Tb175, Sometimes enthusiasts share their designs or concepts in PDF format. Books and Magazines Some Takeuchi Excavator Parts Catalog Manual Tb175 books or magazines might include. Look for these in online stores or libraries. Remember that while Takeuchi Excavator Parts Catalog Manual Tb175, sharing copyrighted material without permission is not legal. Always ensure youre either creating your own or obtaining them from legitimate sources that allow sharing and downloading. Library Check if your local library offers eBook lending services. Many libraries have digital catalogs where you can borrow Takeuchi Excavator Parts Catalog Manual Tb175 eBooks for free, including popular titles. Online Retailers: Websites like Amazon, Google Books, or Apple Books often sell eBooks. Sometimes, authors or publishers offer promotions or free periods for certain books. Authors Website Occasionally, authors provide excerpts or short stories for free on their websites. While this might not be the Takeuchi Excavator Parts Catalog Manual Tb175 full book , it can give you a taste of the authors writing style. Subscription Services Platforms like Kindle Unlimited or Scribd offer subscription-based access to a wide range of Takeuchi Excavator Parts Catalog Manual Tb175 eBooks, including some popular titles.

FAQs About Takeuchi Excavator Parts Catalog Manual Tb175 Books

How do I know which eBook platform is the best for me? Finding the best eBook platform depends on your reading preferences and device compatibility. Research different platforms, read user reviews, and explore their features before making a choice. Are free eBooks of good quality? Yes, many reputable platforms offer high-quality free eBooks, including classics and public domain works. However, make sure to verify the source to ensure the eBook credibility. Can I read eBooks without an eReader? Absolutely! Most eBook platforms offer web-based readers or mobile apps that allow you to read eBooks on your computer, tablet, or smartphone. How do I avoid digital eye strain while reading eBooks? To prevent digital eye strain, take regular breaks, adjust the font size and background color, and ensure proper lighting while reading eBooks. What the advantage of interactive eBooks? Interactive eBooks incorporate multimedia elements, quizzes, and activities, enhancing the reader engagement and providing a more immersive learning experience. Takeuchi Excavator Parts Catalog Manual Tb175 is one of the best book in our library for free trial. We provide copy of Takeuchi Excavator Parts Catalog Manual Tb175 in digital format, so the resources that you find are reliable. There are also many Ebooks of related with Takeuchi Excavator Parts Catalog Manual Tb175. Where to download Takeuchi Excavator Parts Catalog Manual Tb175 online for free? Are you looking for Takeuchi Excavator Parts Catalog Manual Tb175 PDF? This is definitely going to save you time and cash in something you should think about.

Find Takeuchi Excavator Parts Catalog Manual Tb175 :

[trailer light wiring diagram color](#)

[trail blazer owner manual](#)

[trace elliot 1048 manual](#)

[traffic engineering handbook 5th](#)

[tran union credit report](#)

[trane cvhe 45chiller](#)

[tractor battery application guide](#)

[traiteacute de peacutedagogie leacutedition inteacutegrade de leacuteducation physique et pratique](#)

[training program design template guide sample](#)

[trailer wiring diagram for dodge truck](#)

[traiteacute des sciences et des pratiques de leacuteducation psychologie sociale](#)

[tpms service kits](#)

tractor service manual john deere lawn

trailblazer ac manual

tractor manual for international 474

Takeuchi Excavator Parts Catalog Manual Tb175 :

ct and mri of the abdomen and pelvis a teaching file radiology teaching - Jun 20 2022

web ct and mri of the abdomen and pelvis a teaching file radiology teaching file series yeah reviewing a books ct and mri of the abdomen and pelvis a teaching file radiology teaching file series could grow your near contacts listings this is just one of the solutions for you to be successful as

ct and mri of the abdomen and pelvis a teaching file radiology - Oct 05 2023

web jan 1 1998 the current performance of biodegradable magnesium based implants in magnetic resonance imaging a review jonathan espiritu et al bioactive materials 2021 framework for covid 19 segmentation and classification based on deep learning of computed tomography lung images

ct mri of the abdomen and pelvis a teaching file lww teaching file - Oct 25 2022

web jan 1 2014 ct mri of the abdomen and pelvis a teaching file lww teaching file series third edition now in its third edition this trusted and practical volume in lww s teaching file series offers residents and practicing radiologists a unique opportunity to study alongside the experts in their field

ct and mri of the abdomen and pelvis a teaching file radiology teaching - Feb 14 2022

web ct and mri of the abdomen and pelvis a teaching file radiology teaching file series mri and ct of the brain amazon co uk jackson alan ct and mri of aortic coarctation pre and postsurgical ct vs mri what s the difference and how do doctors ct scan vs mri differences between safety cost and uses

how to read a ct of the abdomen and pelvis radiology case - Aug 23 2022

web this is a ct of the abdomen and pelvis enterography protocol this is a higher quality study than a standard ct it is performed with a higher radiation dose and larger dose of iv contrast which helps to evaluate subtle areas of bowel inflammation the slice thickness is 2 5 mm this provides an excellent look at the large and small bowel

ct and mri of the abdomen and pelvis a teaching file radiology teaching - Jul 02 2023

web ct and mri of the abdomen and pelvis a teaching file radiology teaching file series clinical mri of the abdomen jul 18 2020 this volume which explains why when and how abdominal mri should be used focuses in particular on the most recent developments in the field after introductory chapters on technical considerations

ct and mri of the abdomen and pelvis a teaching file radiology teaching - Mar 18 2022

web 1 ct and mri of the abdomen and pelvis a teaching file radiology teaching file series mri vs ct scan which one is better for brain imaging ct and mri of the whole body 2 volume set 9780323113281 ct scan vs mri 4 difference between ct scan and mri
ct and mri of the abdomen and pelvis a teaching file radiology teaching - Aug 03 2023

web a brand new resource in the teaching files series gastrointestinal imaging a teaching file is an exceptional resource for radiology trainees and practicing radiologists who are interested in reviewing the basics of gastrointestinal imaging including fluoroscopy ct and mr those studying for board and certifying examinations

ct and mri of the abdomen and pelvis a teaching file radiology teaching - Apr 18 2022

web ct and mri of the abdomen and pelvis a teaching file radiology teaching file series 5 5 across the world completely revised in a new more succinct presentation without redundancies for faster access to critical content vastly expanded section on new mri and ct technology keeps you current with continuously evolving innovations atlas

ct and mri of the abdomen and pelvis a teaching file - Jan 28 2023

web pablo r ros koenraad j mortele lippincott williams wilkins 2007 medical 500 pages featuring 1 785 ct and mri images and 460 cases from leading medical centers this second edition

ct mri of the abdomen and pelvis shop lww com - Apr 30 2023

web paperback book 65 99 now in its third edition this trusted and practical volume in lww s teaching file series offers residents and practicing radiologists read more questions and answers product description specs about the author s table of
ct and mri of the abdomen and pelvis a teaching file radiology teaching - Nov 25 2022

web now in its third edition this trusted and practical volume in lww s teaching file series offers residents and practicing radiologists a unique opportunity to study alongside the experts in their field for the first time ct and mri of the abdomen and pelvis is a hybrid publication with a new paperback format

ct and mri of the abdomen and pelvis a teaching file - Jun 01 2023

web ct and mri of the abdomen and pelvis a teaching file publication year 2013 edition 3rd ed author ros pablo r mortele koenraad j pelsser vincent thomas smitha publisher lippincott williams wilkins lww isbn 978 1 45 111352 5 print pdf request info request information access the book in ovid access the book in ovid description

ct and mri of the abdomen and pelvis a teaching file radiology teaching - May 20 2022

web proclamation ct and mri of the abdomen and pelvis a teaching file radiology teaching file series can be one of the options to accompany you subsequent to having extra time it will not waste your time assume me the
ct and mri of the abdomen and pelvis a teaching file radiology - Feb 26 2023

web jan 1 1997 ct mri of the abdomen and pelvis a teaching file lww teaching file series 63 99 only 1 left in stock order soon now in its third edition this trusted and practical volume in lww s teaching file series offers residents and practicing

radiologists a unique opportunity to study alongside the experts in their field

ct and mri of the abdomen and pelvis a teaching file radiology teaching - Mar 30 2023

web focuses on common artifacts a companion website will offer an online image bank the teaching files aug 01 2022 the teaching files head and neck imaging by dr girish fatterpekar md with its easy to use templated organization well presented case reviews and high yield imaging examples aims to sharpen your diagnostic skills

download solutions ct and mri of the abdomen and pelvis a teaching file - Jul 22 2022

web ct and mri of the abdomen and pelvis a teaching file radiology teaching file series university of washington main radiology teaching file may 17 2022 presents teaching guides and online exercises related to the study of radiology provided by the department of radiology at the university of washington located in seattle

ct and mri of the abdomen and pelvis a teaching file - Sep 23 2022

web summary now in its third edition this trusted and practical volume in lww s teaching file series offers residents and practicing radiologists a unique opportunity to study alongside the experts in their field for the first time ct and mri of the abdomen and pelvis is a hybrid publication with a new paperback format and accompanying web

ct and mri of the abdomen and pelvis a teaching file radiology teaching - Sep 04 2023

web a brand new resource in the teaching files series gastrointestinal imaging a teaching file is an exceptional resource for radiology trainees and practicing radiologists who are interested in reviewing the basics of gastrointestinal imaging including fluoroscopy ct and mr those studying for board and

ct mri of the abdomen and pelvis a teaching file google - Dec 27 2022

web nov 14 2013 ct mri of the abdomen and pelvis a teaching file ct mri of the abdomen and pelvis now in its third edition this trusted and practical volume in lww s teaching file series offers residents and practicing radiologists a unique opportunity to study alongside the experts in their field

das große handbuch zur bibel der einzigartige führer durch - Apr 05 2022

web das große handbuch zur bibel der einzigartige führer durch die bücher der bibel faszinierend bewährt reich illustriert isbn 10 3460302232 isbn 13 9783460302235 katholisches bibelwerk 2018 hardcover

das große handbuch zur bibel lehmanns de - Mar 04 2022

web jun 12 2018 das große handbuch zur bibel von pat alexander david alexander isbn 978 3 417 25362 7 bestellen schnelle lieferung auch auf rechnung lehmanns de

das große handbuch zur bibel der einzigartige führer durch die - Feb 15 2023

web das große handbuch zur bibel der einzigartige führer durch die bücher der bibel alexander pat alexander david günter wolfgang amazon de bücher bücher film kunst kultur musik neu 35 00 preisangaben inkl ust abhängig von der lieferadresse

kann die ust an der kasse variieren weitere informationen lieferung für 3 70 25 27

das große handbuch zur bibel bibelwerk shop - Dec 13 2022

web das große handbuch zur bibel erschließt die bibel und ihre umwelt kompetent faktenreich und detailliert in text und bild auf über 800 seiten werden alle bücher der bibel vorgestellt und kommentiert zu den wichtigsten personen der bibel gibt es detaillierte porträts in 126 artikeln wird die umwelt der bibel umfangreich und fundiert erklärt

das große handbuch zur bibel buch klappenbroschur scm - Mar 16 2023

web ein bestseller und standardwerk der bibelliteratur seit der ersten ausgabe des deutschen handbuchs zur bibel sind meh

das große handbuch zur bibel der einzigartige führer - Jun 07 2022

web das große handbuch zur bibel wolfgang günter verlag scm r brockhaus verlag okt 2022 2022 isbn 10 3417253624 isbn 13 9783417253627 neu taschenbuch anzahl 1

das grosse handbuch zur bibel der einzigartige fu copy - Jul 08 2022

web das grosse handbuch zur bibel der einzigartige fu handbuch zur bibel jan 17 2023 das illustrierte handbuch zur bibel jul 11 2022 the lion concise handbook to the bible dec 24 2020 zondervan handbook to the bible apr 08 2022 study guide for the bible handbuch zur bibel mar 19 2023 studienatlas zur bibel apr 27 2021

das große handbuch zur bibel scm shop de - Aug 21 2023

web für alle die das buch der bücher auf faszinierende weise neu entdecken möchten mit mehreren millionen verkauften exemplaren weltweit genießt das große handbuch zur bibel zu recht den herausragenden ruf eines unvergleichlichen und exzellenten führers durch die bibel

das große handbuch zur bibel leseplatz - Sep 10 2022

web jan 13 2022 das große handbuch zur bibel erschließt die bibel kompetent faktenreich und detailliert in text und bild auf über 800 seiten werden alle bücher der bibel vorgestellt und kommentiert Über 700 farbfotos und illustrationen lassen die welt des alten und neuen testaments lebendig werden

das große handbuch zur bibel thalia - Apr 17 2023

web beschreibung wissenswertes rund um die bibel das große handbuch zur bibel erschließt die bibel und ihre umwelt kompetent faktenreich und detailliert in text und bild auf über 800 seiten werden alle bücher der bibel vorgestellt und kommentiert

das große handbuch zur bibel der einzigartige führer durch die - Jun 19 2023

web das große handbuch zur bibel der einzigartige führer durch die bücher der bibel faszinierend bewährt reich illustriert alexander pat amazon de bücher bücher fachbücher geisteswissenschaften neu 35 00 weitere informationen kostenfreie retouren gratis lieferung freitag 30 juni oder schnellste lieferung donnerstag 29

suchergebnis auf amazon de für das große handbuch zur bibel - May 06 2022

web suchergebnis auf amazon de für das große handbuch zur bibel zum hauptinhalt wechseln de lieferung an kassel 34117 standort aktualisieren alle wähle die kategorie aus in der du suchen möchtest suche amazon de de hallo suche amazon de de hallo anmelden

das große handbuch zur bibel der einzigartige führer durch die bibel - Oct 11 2022

web ausführliche inhaltsangaben aller kapitel der bibel lassen die großen linien von gottes wort aufleuchten ein seit jahren bewährtes standardwerk auf aktuellen stand gebracht mit mehreren millionen verkauften exemplaren weltweit genießt das große handbuch zur bibel zu recht den herausragenden ruf eines unvergleichlichen und

das große handbuch zur bibel buch klappenbroschur scm - Sep 22 2023

web von henrik veröffentlicht am 13 01 2022 die bibel ist ein spannendes entdeckungsreiches und vor allem ins persönliche leben sprechendes buch doch nicht selten ist die welt in der das berichtete stattfindet dem leser fremd mit das große handbuch zur bibel wird gottes wort noch faszinierender

das große handbuch zur bibel der einzigartige führer durch die - May 18 2023

web das große handbuch zur bibel der einzigartige führer durch die bücher der bibel alexander pat alexander david isbn 9783417253627 kostenloser versand für alle bücher mit versand und verkauf duch amazon

das grosse handbuch zur bibel amazon de - Jul 20 2023

web das grosse handbuch zur bibel alexander pat alexander david isbn 9783460302105 kostenloser versand für alle bücher mit versand und verkauf duch amazon

das große handbuch zur bibel der einzigartige führer durch die - Oct 23 2023

web das große handbuch zur bibel erschließt die bibel kompetent faktenreich und detailliert in text und bild auf über 800 seiten werden alle bücher der bibel vorgestellt und kommentiert Über 700 farbfotos und illustrationen lassen die welt des alten und neuen testaments lebendig werden

das große handbuch zur bibel bibelberater de - Nov 12 2022

web das große handbuch zur bibel dieses handbuch enthält zu jedem biblischen kapitel eine inhaltszusammenfassung und eine erklärung zu jedem abschnitt es beinhaltet viele informationen zur umwelt der bibel und einen umfangreichen index mit basisinformationen zu jedem stichwort

das große handbuch zur bibel bibelbund - Aug 09 2022

web apr 11 2018 das große handbuch zur bibel wuppertal brockhaus 2007 1 sonderauflage 816 s paperback 24 95 isbn 978 3 417 25949 0 interessant ist die bemerkung zu 5 mose bis zu den kritischen studien des 18 und 19

das große handbuch zur bibel pat alexander google books - Jan 14 2023

web das große handbuch zur bibel pat alexander brockhaus 2001 bible 815 pages other editions view all das große handbuch zur bibel david alexander no preview available 2009 das große handbuch zur bibel pat alexander david alexander no preview available 2001

[exalting jesus in 1 2 3 john christ centered exposition](#) - Sep 03 2022

web nov 1 2017 exalting jesus in psalms volume 2 psalms 51 100 is part of the christ centered exposition commentary series edited by david platt daniel l akin and

[exalting jesus in 1 2 3 john christ centered exposition](#) - Jul 13 2023

web sep 1 2014 exalting jesus in 1 2 3 john christ centered exposition commentary paperback september 1 2014 by dr daniel l akin author editor david platt

exalting jesus in 1 2 3 john christ centered exposition - Jul 01 2022

web the lord s supper consisting of the elements bread and the fruit of the vine is the symbol expressing our sharing the divine nature of our lord jesus christ 2 peter 1 4

exalting jesus in 1 2 3 john christ centered exposition - Jun 12 2023

web exalting jesus in john is part of the christ centered exposition commentary series edited by david platt daniel l akin and tony merida this new commentary series

[exalting jesus in luke lifeway](#) - Sep 22 2021

exalting jesus in 1 2 3 john christ centered exposition - Nov 24 2021

christ centered exposition commentary 40 book - Jan 07 2023

web author daniel l akin provides an exposition of john s letters in exalting jesus in 1 2 3 john the author examines important themes in the text providing helpful reflect and

[exalting jesus in 1 2 amp 3 john christ centered exposition](#) - Jan 27 2022

exalting jesus project - Dec 26 2021

read download exalting jesus in john pdf pdf download - Feb 25 2022

[series christ centered exposition commentary overdrive](#) - Mar 29 2022

web exalting jesus in luke is part of the christ centered exposition commentary series edited by david platt daniel l akin and

tony merida this new commentary series

exalting jesus in 1 2 3 john christ centered exposition - Oct 04 2022

web exalting jesus in 1 2 3 john christ centered exposition commentary series dr daniel l akin author david platt editor 2014

christ centered exposition - Aug 14 2023

web sep 1 2014 description edited by david platt daniel l akin and tony merida this new commentary series projected to be 48 volumes takes a christ centered approach to

exalting jesus in 1 2 3 john christ centered exposition - Oct 24 2021

exalting jesus in 1 2 3 john christ centered exposition - Apr 10 2023

web oct 2 2021 faithlife is giving away the bible commentary exalting jesus in 1 2 3 john christ centered exposition

commentary cce free this month from the

christ centered exposition commentary exalting jesus in 1 2 3 - Aug 02 2022

web download epub exalting jesus in john christ centered exposition commentary read more exalting jesus in 1 2 kings read more exalting jesus in 1 2 samuel

christ centered exposition best commentaries - Nov 05 2022

web in stock rather than using a verse by verse approach tony merida explains and applies key passages including solomon s kingship the building of the temple the showdown at

exalting jesus in john christ centered exposition - Feb 08 2023

web jan 1 2014 about the series edited by david platt daniel l akin and tony merida this commentary series takes a christ centered approach to expositing each book of the

exalting jesus in 1 2 3 john christ centered exposition - May 31 2022

web sep 1 2014 exalting jesus in 1 2 3 john christ centered exposition commentary kindle edition by dr daniel l akin author editor david platt editor 1 more

exalting jesus in 1 2 3 john lifeway - Dec 06 2022

web abebooks com exalting jesus in 1 2 3 john christ centered exposition commentary 9780805496659 by akin dr daniel l and a great selection of similar new used and

christ centered exposition exalting jesus in 1 2 3 - May 11 2023

web christ centered exposition series editors david platt daniel l akin and tony merida from the series introduction the bible is a christ centered book containing a unified

christ centered exposition commentary exalting jesus in 1 2 - Apr 29 2022

web exalting jesus in 1 2 3 john is written by daniel l akin edited by david platt daniel l akin and tony merida this new commentary series projected to be 48 volumes takes a

christ centered exposition commentary exalting jesus - Mar 09 2023

web edited by david platt daniel l akin and tony merida this new commentary series projected to be 48 volumes takes a christ centered approach to expositing each book