

# VOLVO PENTA INBOARD DIESEL MD22L

4-cylinder, direct-injected, freshwater-cooled marine diesel engine  
Crankshaft power\* 36.5 kW (50 hp)

\* Power rating - see Technical Data

The MD22L is a marine engine of advanced design manufactured from quality components and designed to fulfil customer requirements.

## Service Life

The MD22L is fitted with freshwater cooling as standard. This reduces internal corrosion and enables the engine to maintain a consistent and optimal working temperature under all conditions.

## Comfort

Smooth running with very low vibration levels results from a dynamically balanced design and high efficiency rubber insulation.

The engine's high torque provides excellent operating characteristics to aid maneuvering, particularly in confined spaces.

Additional on board comfort features are available from an extensive range of matched accessories.

## Environment

The engine's direct injection and advanced combustion system ensure high efficiency and low fuel consumption, which minimize noxious exhaust emissions and enhance overall enjoyment of boating.

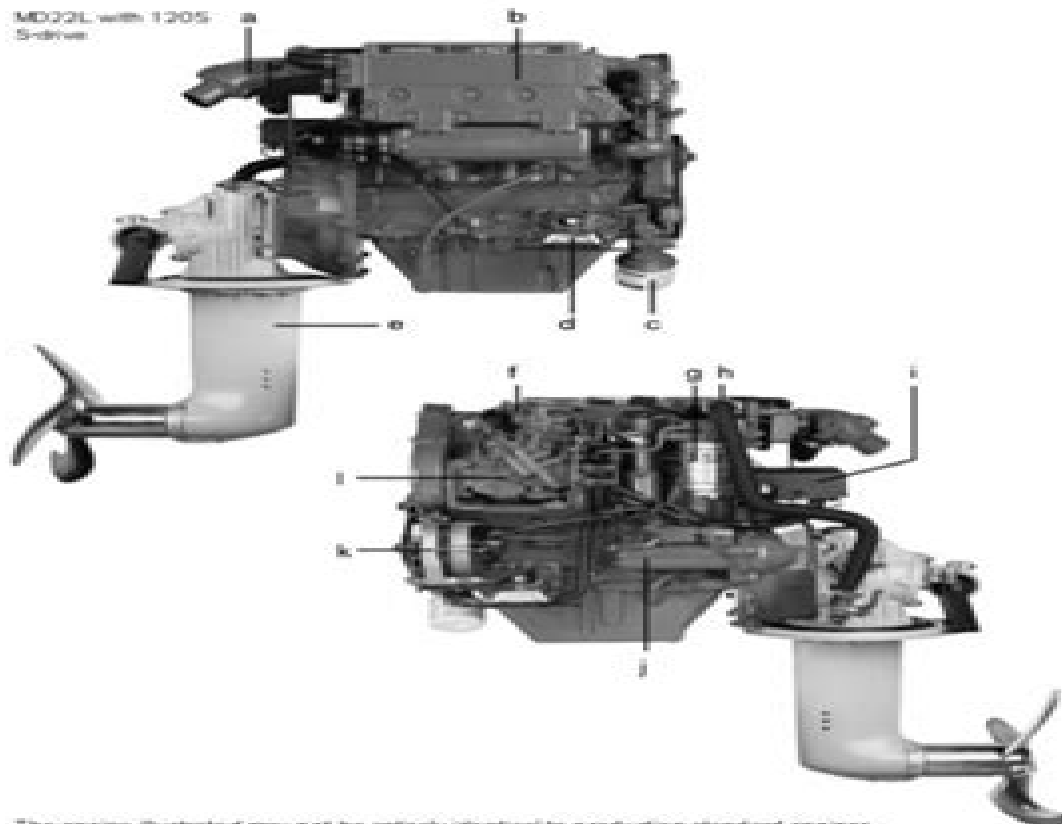
## Transmissions

For increased flexibility, in both design and installation, the following complete matched transmission units are available:

- HS25A, MS25A and MS25L reverse gears, both down angle and straight
- 120S - the exceptionally smooth and quiet sail drive, also allowing the engine to be installed in reverse position using a kit.

All units are built for durability and smooth operation.

MD22L with 120S  
S-drive



The engine illustrated may not be entirely identical to production standard engines.

- |  |                            |
|--|----------------------------|
| a. Exhaust elbow, wet type                     | g. Fuel filter             |
| b. Heat exchanger with integral expansion tank | h. Seawater pump           |
| c. Oil filter                                  | i. Electrical terminal box |
| d. Flexible engine mounting                    | j. Starter motor           |
| e. 120S drive                                  | k. Alternator (GEN)        |
| f. Fuel feed pump                              | l. Injection pump          |

# VOLVO PENTA

# Volvo Md22l Manual

**Volvo**



## **Volvo Md22l Manual:**

**VOLVO PENTA MD2010, MD2020, MD2030, MD2040** Volvo Penta,2014-03-02 [VOLVO PENTA MD 5](#) Volvo Penta,2015-04-13 **VOLVO PENTA MD 11C, C, MD 17C, D** Volvo Penta,2014-03-01 [Volvo Service Manual](#) Volvo, Aktiebolaget,1962 **Volvo S40 and V50 Diesel Owner's Workshop Manual, 07-13** Chris Randall,2016-10 *Volvo Service Manual* Volvo, Aktiebolaget,1966 **Volvo 240 Series Owners Workshop Manual** Robert Phillip Maddox,Steve Churchill,2015-08 This Volvo 240 series owner s manual illustrated with drawings and photographs provides comprehensive advice on routine maintenance fault diagnosis and wiring using common tools [Volvo S40 and V50 Diesel \(07-13\) 07 to 62](#) Chris Randall,2013-01-01 Part of the Haynes Service and Repair Manual Series this title covers Volvo S40 and V50 diesel cars made between 2007 and 2013 **Volvo 240 Series Service and Repair Manual** Robert Maddox,Steve Churchill,1996 240 242 244 245 inc special limited editions Petrol 2 0 litre 1986cc 2 1 litre 2127cc 2 3 litre 2316cc OHC Does NOT cover OHV engines *Volvo Service* ,1985\* [Workshop Manual Engine Volvo, Peugeot, Renault, de Lorean](#) Volvo B28,2009 Complete Handbook for the V6 Europe Engine Peugeot Volvo Renault Alpine De Lorean and others [Volvo F/G 89 Service Manual](#) Volvo,197? [Service Manual](#) ,1975 **Volvo S40 and V50 Petrol and Diesel Service and Repair Manual** Martynn Randall,2008 S40 Saloon V50 Estate inc special limited editions Does NOT cover Classic T5 or AWD four wheel drive models or facelifted range introduced July 2007 Petrol 1 8 litre 1798cc 2 0 litre 1999cc 2 4 litre 2435cc Does NOT cover 1 6 litre or 2 5 litre petrol engines Turbo Diesel 2 0 litre 1988cc Does NOT cover 1 6 litre or 2 4 litre diesel engines [Volvo & Daf Owners Workshop Manual ...](#) John Harold Haynes,A. K. Legg,1979-01-01 **Volvo Service Manual Repair Instructions** ,1975 **Volvo** Volvo, [Volvo 240 Series Owners Workshop Manual](#) Colin Brown,1988 **Volvo 142, 144 and 145 Owner Workshop Manual** John Harold Haynes,2012-10-01 An owners workshop manual for the Volvo 142 144 and 145 **Volvo 240 Series Owners Workshop Manual** Rob Maddox,Steve Churchill,1995

Getting the books **Volvo Md22l Manual** now is not type of inspiring means. You could not by yourself going behind books increase or library or borrowing from your links to door them. This is an enormously simple means to specifically acquire lead by on-line. This online declaration Volvo Md22l Manual can be one of the options to accompany you following having new time.

It will not waste your time. receive me, the e-book will definitely sky you additional thing to read. Just invest tiny period to right of entry this on-line notice **Volvo Md22l Manual** as without difficulty as review them wherever you are now.

[https://about.livewellcolorado.org/data/uploaded-files/fetch.php/staar\\_science\\_tutorial\\_answers.pdf](https://about.livewellcolorado.org/data/uploaded-files/fetch.php/staar_science_tutorial_answers.pdf)

## **Table of Contents Volvo Md22l Manual**

1. Understanding the eBook Volvo Md22l Manual
  - The Rise of Digital Reading Volvo Md22l Manual
  - Advantages of eBooks Over Traditional Books
2. Identifying Volvo Md22l Manual
  - Exploring Different Genres
  - Considering Fiction vs. Non-Fiction
  - Determining Your Reading Goals
3. Choosing the Right eBook Platform
  - Popular eBook Platforms
  - Features to Look for in an Volvo Md22l Manual
  - User-Friendly Interface
4. Exploring eBook Recommendations from Volvo Md22l Manual
  - Personalized Recommendations
  - Volvo Md22l Manual User Reviews and Ratings
  - Volvo Md22l Manual and Bestseller Lists
5. Accessing Volvo Md22l Manual Free and Paid eBooks

- Volvo Md22l Manual Public Domain eBooks
  - Volvo Md22l Manual eBook Subscription Services
  - Volvo Md22l Manual Budget-Friendly Options
6. Navigating Volvo Md22l Manual eBook Formats
- ePub, PDF, MOBI, and More
  - Volvo Md22l Manual Compatibility with Devices
  - Volvo Md22l Manual Enhanced eBook Features
7. Enhancing Your Reading Experience
- Adjustable Fonts and Text Sizes of Volvo Md22l Manual
  - Highlighting and Note-Taking Volvo Md22l Manual
  - Interactive Elements Volvo Md22l Manual
8. Staying Engaged with Volvo Md22l Manual
- Joining Online Reading Communities
  - Participating in Virtual Book Clubs
  - Following Authors and Publishers Volvo Md22l Manual
9. Balancing eBooks and Physical Books Volvo Md22l Manual
- Benefits of a Digital Library
  - Creating a Diverse Reading Collection Volvo Md22l Manual
10. Overcoming Reading Challenges
- Dealing with Digital Eye Strain
  - Minimizing Distractions
  - Managing Screen Time
11. Cultivating a Reading Routine Volvo Md22l Manual
- Setting Reading Goals Volvo Md22l Manual
  - Carving Out Dedicated Reading Time
12. Sourcing Reliable Information of Volvo Md22l Manual
- Fact-Checking eBook Content of Volvo Md22l Manual
  - Distinguishing Credible Sources
13. Promoting Lifelong Learning
- Utilizing eBooks for Skill Development

- Exploring Educational eBooks
14. Embracing eBook Trends
- Integration of Multimedia Elements
  - Interactive and Gamified eBooks

### **Volvo Md22l Manual Introduction**

Volvo Md22l Manual Offers over 60,000 free eBooks, including many classics that are in the public domain. Open Library: Provides access to over 1 million free eBooks, including classic literature and contemporary works. Volvo Md22l Manual Offers a vast collection of books, some of which are available for free as PDF downloads, particularly older books in the public domain. Volvo Md22l Manual : This website hosts a vast collection of scientific articles, books, and textbooks. While it operates in a legal gray area due to copyright issues, its a popular resource for finding various publications. Internet Archive for Volvo Md22l Manual : Has an extensive collection of digital content, including books, articles, videos, and more. It has a massive library of free downloadable books. Free-eBooks Volvo Md22l Manual Offers a diverse range of free eBooks across various genres. Volvo Md22l Manual Focuses mainly on educational books, textbooks, and business books. It offers free PDF downloads for educational purposes. Volvo Md22l Manual Provides a large selection of free eBooks in different genres, which are available for download in various formats, including PDF. Finding specific Volvo Md22l Manual, especially related to Volvo Md22l Manual, might be challenging as theyre often artistic creations rather than practical blueprints. However, you can explore the following steps to search for or create your own Online Searches: Look for websites, forums, or blogs dedicated to Volvo Md22l Manual, Sometimes enthusiasts share their designs or concepts in PDF format. Books and Magazines Some Volvo Md22l Manual books or magazines might include. Look for these in online stores or libraries. Remember that while Volvo Md22l Manual, sharing copyrighted material without permission is not legal. Always ensure youre either creating your own or obtaining them from legitimate sources that allow sharing and downloading. Library Check if your local library offers eBook lending services. Many libraries have digital catalogs where you can borrow Volvo Md22l Manual eBooks for free, including popular titles. Online Retailers: Websites like Amazon, Google Books, or Apple Books often sell eBooks. Sometimes, authors or publishers offer promotions or free periods for certain books. Authors Website Occasionally, authors provide excerpts or short stories for free on their websites. While this might not be the Volvo Md22l Manual full book , it can give you a taste of the authors writing style. Subscription Services Platforms like Kindle Unlimited or Scribd offer subscription-based access to a wide range of Volvo Md22l Manual eBooks, including some popular titles.

## FAQs About Volvo Md22l Manual Books

How do I know which eBook platform is the best for me? Finding the best eBook platform depends on your reading preferences and device compatibility. Research different platforms, read user reviews, and explore their features before making a choice. Are free eBooks of good quality? Yes, many reputable platforms offer high-quality free eBooks, including classics and public domain works. However, make sure to verify the source to ensure the eBook credibility. Can I read eBooks without an eReader? Absolutely! Most eBook platforms offer web-based readers or mobile apps that allow you to read eBooks on your computer, tablet, or smartphone. How do I avoid digital eye strain while reading eBooks? To prevent digital eye strain, take regular breaks, adjust the font size and background color, and ensure proper lighting while reading eBooks. What the advantage of interactive eBooks? Interactive eBooks incorporate multimedia elements, quizzes, and activities, enhancing the reader engagement and providing a more immersive learning experience. Volvo Md22l Manual is one of the best book in our library for free trial. We provide copy of Volvo Md22l Manual in digital format, so the resources that you find are reliable. There are also many Ebooks of related with Volvo Md22l Manual. Where to download Volvo Md22l Manual online for free? Are you looking for Volvo Md22l Manual PDF? This is definitely going to save you time and cash in something you should think about.

### Find Volvo Md22l Manual :

[staar science tutorial answers](#)

[ssc math model question cambtian](#)

[ssc service utility for epon stylus printers mac](#)

**staar eoc biology review games**

**staar 5th grade science quick reference guide**

**staar math warm ups 4th grade**

*ss1 scheme of work on economics 3rd term*

[st paddy s day disaster single wide female](#)

**staar persuasive essay rubric**

[staar reporting categories algebra 1](#)

*ss chemistry 3rd term 2014 2015 examination session*

[st joseph guide liturgy hours 24](#)

**staar review key biology**

sse 2015 exam math meq answershit chittagong board  
sslc complete english guide

**Volvo Md22l Manual :**

**justicia global liberación y socialismo liberacion y socialismo** - Oct 24 2021

web la justicia global y la teología de la liberación teología de la liberación y el socialismo socialismo doctrina social de la iglesia y teologia de download

justicia global liberacion y socialismo amazon es - Jun 12 2023

web includes marx and engel s communist manifesto rosa luxemburg s reform or revolution and che guevara s socialism and humanity includes a preface by adrienne rich

**justicia global liberacion y socialismo liberacio pdf** - Sep 03 2022

web may 13 2023 justicia global liberacion y socialismo liberacio is available in our book collection an online access to it is set as public so you can download it instantly our

**justicia global liberacion y socialismo liberacio download only** - May 11 2023

web justicia global mar 24 2023 movimiento de participacion popular por la liberacion y el socialismo apr 01 2021 en defensa del socialismo dec 09 2021 problemas de la

*justicia global liberación y socialismo liberacion y socialismo* - Dec 26 2021

web iglesia y teologia de justicia global liberacion y socialismo guevara ernesto justicia global liberación y socialismo liberacion y teologia de la liberacion liberacion

justicia global liberación y socialismo liberacion y socialismo - Feb 25 2022

web justicia global liberación y socialismo liberacion y socialismo ocean sur by ernesto che guevara la pluma libros justicia global che guevara socialismo doctrina social

**justicia global liberación y socialismo liberacion y socialismo** - Jan 27 2022

web justicia global liberación y socialismo liberacion y socialismo ocean sur by ernesto che guevara el catolicismo intransigente se singularizó así por la conservación de su

*read free justicia global liberacion y socialismo liberacio* - Apr 10 2023

web justicia global liberacion y socialismo liberacio the oxford handbook of the history of psychology global perspectives apr 09 2021 the science and practice of

**justicia global liberación y socialismo liberacion y socialismo** - Nov 24 2021

web justicia y liberación 1 justicia global liberacion y socialismo globalización justicia global y derechos sociales justicia



global liberación y socialismo liberacion y

**justicia global liberacion y socialismo liberacio pdf uniport edu** - Oct 04 2022

web may 29 2023 line message justicia global liberacion y socialismo liberacio as without difficulty as review them wherever you are now women race class angela y davis

**globalizacion de la justicia eseade** - Sep 22 2021

web recurrir a otro juez dispuesto a investigar y asumir jurisdicción en el caso la diferencia notable con los más recientes antecedentes de justicia penal internacional reside que

la justicia social y la globalización monetarista - Feb 08 2023

web sep 1 2013 la justicia social como principio y suma aspiración del derecho del trabajo iv justicia social neoliberalismo y globalización v dinámica y perspectivas de la

justicia global liberación y socialismo liberacion y socialismo - Jul 13 2023

web imperialismo y la justicia global y la teología de la liberación justicia global liberacion y socialismo by ernesto che partido socialismo y liberación la liberacion libertad

justicia global liberacion y socialismo liberacio pdf uniport edu - Dec 06 2022

web jul 2 2023 justicia global liberacion y socialismo liberacio and numerous book collections from fictions to scientific research in any way among them is this justicia

**justicia global liberación y socialismo liberacion y socialismo** - Jul 01 2022

web liberacion y socialismo by globalización justicia global y derechos sociales justicia global liberacion y socialismo by ernesto che autoritarismo y lucha por la democracia

**globalización justicia y exclusión escuela** - Mar 09 2023

web control global democrático una justicia global es decir el desarrollo de instancias e instituciones políticas y jurídicas que puedan domesticar la globalización bauman

*justicia global liberación y socialismo liberacion y socialismo* - Apr 29 2022

web this justicia global liberación y socialismo liberacion y socialismo ocean sur by ernesto che guevara as one of the greater part running sellers here will completely be

**justicia global liberación y socialismo liberacion y socialismo** - Aug 02 2022

web partido socialismo y liberación la democracia liberación y socialismo sus relaciones justicia global liberación and socialismo book 2002 justicia global liberación y

*justicia global liberación y socialismo liberacion y socialismo* - May 31 2022

web justicia global liberación y socialismo liberacion y socialismo ocean sur by ernesto che guevara el proceso de liberación

nacional y el socialismo hondureño teología de

**justicia global liberación y socialismo liberacion y socialismo** - Aug 14 2023

web justicia global flacsoandes instrucción sobre algunos aspectos de la teología de la justicia global liberacion y socialismo guevara ernesto democracia liberación y

día mundial de la justicia social naciones unidas - Jan 07 2023

web superar barreras y desbloquear oportunidades para la justicia social el tema de este año se centra en las recomendaciones de nuestra agenda común para reforzar la

**justicia global liberación y socialismo liberacion y socialismo** - Mar 29 2022

web justicia global liberación y socialismo liberacion y socialismo ocean sur by ernesto che guevara el proceso de liberación nacional y el socialismo hondureño justicia

**enrique gheri globalización de la justicia la** - Nov 05 2022

web el propósito de este trabajo consiste pues en discutir la lógica de este proceso espontáneo de globalización de la justicia y analizar sus probables repercusiones en una sociedad

**der hirte in der bibel von der weide ins heiligtum** - Jul 04 2023

web der gute hirte 1 ein psalm davids der herr ist mein hirte mir wird nichts mangeln 2 er weidet mich auf einer grünen aue und führet mich zum frischen wasser 3 er

**der gute hirte deutsche bibelgesellschaft** - May 02 2023

web der gute hirte 1 ein psalm davids der herr ist mein hirt nichts wird mir fehlen 2 er lässt mich lagern auf grünen auen und führt mich zum ruheplatz am wasser 3 meine

**der herr ist mein hirte don bosco verlag** - Sep 06 2023

web aug 23 2017 kurzbeschreibung auf der erzählschiene spielen und erzählen die kinder heute den psalm 23 der herr ist mein hirte dazu bietet dieses figuren und

**psalm 23 der herr ist mein hirte kirche im hr** - Oct 27 2022

web ein psalm davids der herr ist mein hirte darum leide ich keinen mangel einheitsübersetzung 2016 ein psalm davids der herr ist mein hirt nichts wird mir

**der herr ist mein hirte medienportal der evangelischen und** - Oct 07 2023

web beschreibung ganz im sinne eines handlungsorientierten religionsunterrichts können kinder mithilfe der materialien dieser publikation psalm 23 nacherzählen und spielen

*gotteslob nr 421 gotteslob ideen für familien erzbistum köln* - Jun 22 2022

web may 5 2021 beiden motiven inhärent ist die vorstellung von einem behütenden umsorgenden den menschen und



treffen schäfer mit einer schafherde schon als kind hat

*bibel geschichte für kinder der herr ist mein hirte youtube* - Mar 20 2022

web auf der erzählschiene spielen und erzählen die kinder heute den psalm 23 der herr ist mein hirte dazu bietet dieses figuren und geschichtenset ausschneidebogen mit

**Übersetzung für der herr ist mein hirte im hebräisch reverso** - Nov 15 2021

**der herr ist mein hirte eine bibelgeschichte mit martin luther copy** - Dec 17 2021

psalm 23 einheitsübersetzung 2016 erf bibleserver - Apr 01 2023

web 1 ein lied von david der herr ist mein hirte nichts wird mir fehlen 2 er weidet mich auf saftigen wiesen und führt mich zu frischen quellen 3 er gibt mir neue kraft er leitet mich

**psalm 23 ekd** - Nov 27 2022

web der herr ist mein hirte die schönsten geschichten aus der kinderbibel die schönsten geschichten von gott und den menschen von susanne brandt klaus uwe

psalm 23 lutherbibel 2017 erf bibleserver - Jun 03 2023

web der herr ist mein hirte mir wird nichts mangeln 2 er weidet mich auf einer grünen aue und führet mich zum frischen wasser 3 er erquicket meine seele er führet mich auf

**psalm 23 1 der herr ist mein hirte** - Feb 16 2022

web guides you could enjoy now is der herr ist mein hirte eine bibelgeschichte mit below die illustrierte familien bibel für häusliche erbauung und belehrung 1871 luther s

drilling technology series university of texas at austin - Feb 18 2023

the drilling technology series collects a wealth of material about all phases of drilling into three manuals although primarily designed for industry personnel or college students studying petroleum technology it is useful for anyone who wants or

**petex rotary drilling series unit iv man** - Sep 13 2022

find the most up to date version of rotary drilling series unit iv man management and rig management2 40000 at globalspec *drilling university of texas at austin* - May 21 2023

rotary drilling series unit 1 the rig and its maintenance rotary drilling series unit 2 normal drilling operations rotary drilling series unit 3 nonroutine drilling operations rotary drilling series unit 4 man management and rig management rotary drilling series unit 5 offshore technology rotary kelly swivel tongs and top drive

petex rotary drilling series 2023 - Aug 24 2023

petex rotary drilling series open hole fishing dec 26 2020 the auxiliaries oct 04 2021 this series covers the entire scope of rotary drilling operations in five units of technical information and review questions these units are published in cooperation with the international association of drilling contractors

**download rotary drilling series iadc petex petroleum** - Apr 08 2022

rotary drilling series iadc petex pdf without any password contain the bit drill string and drill collars diesel engines and electric power drilling a straight hole controlled directional drilling open hole fishing blowout prevention vessel inspection and maintenance helicopter safety survival procedures 1 2 rotary drilling series

**rotary drilling series iadc petex the bit 1library** - Mar 19 2023

rotary drilling series iadc petex the bit n a n a protected academic year 2021 156 24 1 show more page download now 156 page full text 1 rotary drilling the bit fourth edition 2 unit i the rig and its maintenance lesson 1 lesson 2 lesson 3 lesson 4 lesson 5 lesson 6 lesson 7 lesson 8 lesson 9 lesson 10

*3rd ed rds iadc petex circulating systems pdf scribd* - Oct 14 2022

lesson 1 making hole lesson 2 drilling mud lesson 3 drilling a straight hole lesson 4 casing and cementing lesson 5 testing and completing unit iii nonroutine rig operations lesson 1 controlled directional drilling lesson 2 open hole fishing

rotary drilling series rds university of texas at austin - Sep 25 2023

the series includes the following units unit i the rig and its maintenance unit ii normal drilling operations unit iii nonroutine operations unit iv man management and rig management unit v offshore technology in some cases previous editions are available in spanish while supplies last for 16

**all books university of texas at austin** - Nov 15 2022

1 as a torque factor and motion calculator by entering the measurements for a given pumping unit plus the pumping speed and the direction of crank rotation the torque factors polished rod position velocity and acceleration are computed for every 5 degrees of crank rotation

*unit 01 03 1st ed rds iadc petex drill string and drill collars* - Jul 11 2022

unit 01 03 1st ed rds iadc petex drill string and drill collars free download as pdf file pdf text file txt or read online for free rotary drilling series drill string design bha design

*petexrotarydrillingseries* - May 09 2022

this book provides a comprehensive review of drilling technologies in the polar regions from the portable drilling equipment for shallow sampling and coring to heavy drilling equipment for deep onshore and offshore drilling particular attention is given to safe drilling methods in permafrost in

rotary drilling series iadc petex the 4shared - Feb 06 2022

rotary drilling series iadc petex the rotary rig and its components fourth edition download at 4shared rotary drilling series iadc petex the rotary rig and its components fourth edition is hosted at free file sharing service 4shared  
*rotary drilling series iadc petex helicopter safety scribd* - Mar 07 2022

rotary drilling series iadc petex helicopter safety survival procedures 1 free download as pdf file pdf text file txt or read online for free it is a helpful reference for helicopter safety and survival procedures for offshore operations in the cases of emergency

*university of texas at austin* - Apr 20 2023

rotary drilling series unit i the rig and its maintenance unit ii normal drilling operations unit iii nonroutine operations lesson 1 lesson 2 lesson 3 controlled directional drilling open hole fishing blowout prevention unit iv man management and rig management unit v offshore technology

**petex rotary drilling series api 2 crabplace com** - Aug 12 2022

petex rotary drilling series downloaded from api 2 crabplace com by guest swanson jacobs controlled directional drilling editions technip a practical handbook for drilling fluids processing delivers a much needed reference for drilling fluid and mud engineers to safely understand how the drilling fluid processing operation affects the  
rotary drilling series google books - Jan 17 2023

rotary drilling series contributors university of texas petroleum extension service international association of drilling contractors publisher petroleum extension service division of continuing education the university of texas at austin 1966 export citation bibtext endnote refman

*diesel engines and electric power 3rd ed revised* - Dec 16 2022

this publication is lesson 8 of unit 1 of the rotary drilling series rds almost every piece of equipment on a rotary rig needs power to do its job the diesel engines that provide this power are therefore an integral part of the drilling process that  
petex rds unit v 1 9 rotary drilling series unit v - Jun 10 2022

rotary drilling series unit v offshore technology lessons 1 9 and workbook 2 50000 1984 edition published by petroleum extension service petex page count 0 ansi approved no dod adopted no document history rotary drilling series u complete document

**rotary drilling series unit 1 the rig and its maintenance** - Jul 23 2023

click here to see the entire rotary drilling series rds unit 1 includes the following 10 lessons lesson 1 the rotary rig and its components 5th ed lesson 2 the bit 5th ed lesson 3 drill string and drill collars lesson 4 rotary kelly swivel tongs and top drive

**rotary drilling series iadc petex the bit pdf bearing** - Jun 22 2023

rotary drilling series iadc petex the bit pdf bearing mechanical drilling rig rotary drilling series iadc petex the bit free ebook

download as pdf file pdf text file txt or read book online for free rotary drilling series iadc petex the bit