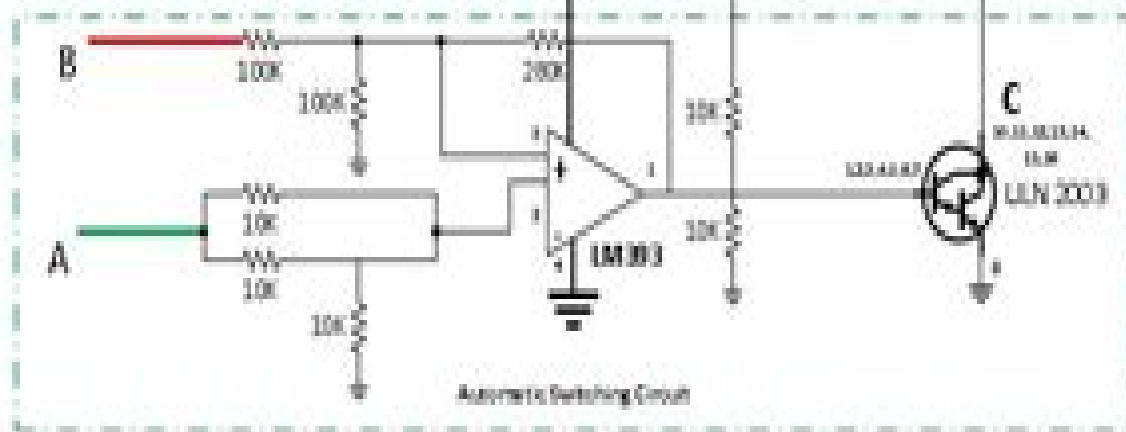
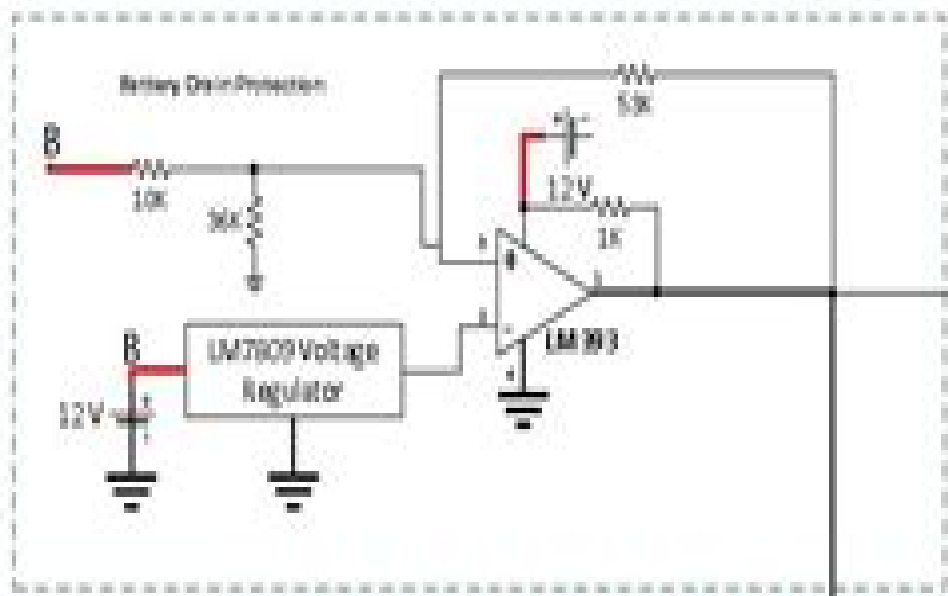
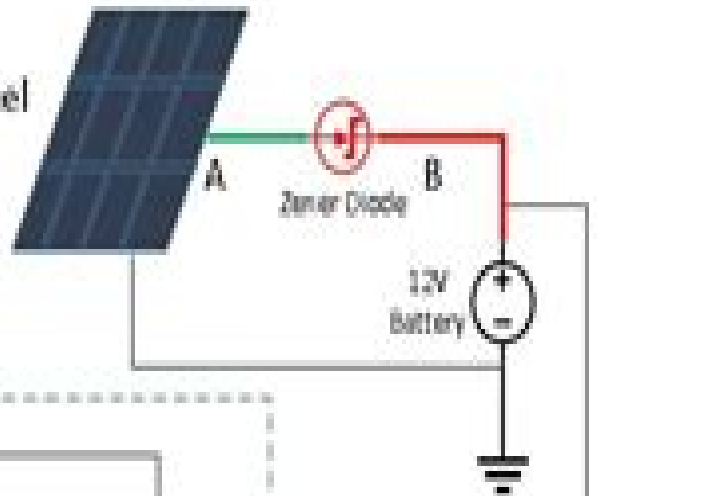


Solar Panel



# Solar Night Light Schematic

**Roman Wölfel**

A red circular graphic element with a gradient, appearing as a semi-circle or a partial ring, located on the right side of the slide, partially overlapping the grey bar.

## **Solar Night Light Schematic:**

## **Solar Night Light Schematic** Book Review: Unveiling the Magic of Language

In an electronic era where connections and knowledge reign supreme, the enchanting power of language has become much more apparent than ever. Its capability to stir emotions, provoke thought, and instigate transformation is really remarkable. This extraordinary book, aptly titled "**Solar Night Light Schematic**," published by a highly acclaimed author, immerses readers in a captivating exploration of the significance of language and its profound effect on our existence. Throughout this critique, we will delve into the book's central themes, evaluate its unique writing style, and assess its overall influence on its readership.

[https://about.livewellcolorado.org/files/publication/index.jsp/manuale\\_delle\\_procedure\\_infermieristiche.pdf](https://about.livewellcolorado.org/files/publication/index.jsp/manuale_delle_procedure_infermieristiche.pdf)

### **Table of Contents Solar Night Light Schematic**

1. Understanding the eBook Solar Night Light Schematic
  - The Rise of Digital Reading Solar Night Light Schematic
  - Advantages of eBooks Over Traditional Books
2. Identifying Solar Night Light Schematic
  - Exploring Different Genres
  - Considering Fiction vs. Non-Fiction
  - Determining Your Reading Goals
3. Choosing the Right eBook Platform
  - Popular eBook Platforms
  - Features to Look for in an Solar Night Light Schematic
  - User-Friendly Interface
4. Exploring eBook Recommendations from Solar Night Light Schematic
  - Personalized Recommendations
  - Solar Night Light Schematic User Reviews and Ratings
  - Solar Night Light Schematic and Bestseller Lists
5. Accessing Solar Night Light Schematic Free and Paid eBooks

- Solar Night Light Schematic Public Domain eBooks
  - Solar Night Light Schematic eBook Subscription Services
  - Solar Night Light Schematic Budget-Friendly Options
6. Navigating Solar Night Light Schematic eBook Formats
    - ePub, PDF, MOBI, and More
    - Solar Night Light Schematic Compatibility with Devices
    - Solar Night Light Schematic Enhanced eBook Features
  7. Enhancing Your Reading Experience
    - Adjustable Fonts and Text Sizes of Solar Night Light Schematic
    - Highlighting and Note-Taking Solar Night Light Schematic
    - Interactive Elements Solar Night Light Schematic
  8. Staying Engaged with Solar Night Light Schematic
    - Joining Online Reading Communities
    - Participating in Virtual Book Clubs
    - Following Authors and Publishers Solar Night Light Schematic
  9. Balancing eBooks and Physical Books Solar Night Light Schematic
    - Benefits of a Digital Library
    - Creating a Diverse Reading Collection Solar Night Light Schematic
  10. Overcoming Reading Challenges
    - Dealing with Digital Eye Strain
    - Minimizing Distractions
    - Managing Screen Time
  11. Cultivating a Reading Routine Solar Night Light Schematic
    - Setting Reading Goals Solar Night Light Schematic
    - Carving Out Dedicated Reading Time
  12. Sourcing Reliable Information of Solar Night Light Schematic
    - Fact-Checking eBook Content of Solar Night Light Schematic
    - Distinguishing Credible Sources
  13. Promoting Lifelong Learning
    - Utilizing eBooks for Skill Development

- Exploring Educational eBooks
14. Embracing eBook Trends
- Integration of Multimedia Elements
  - Interactive and Gamified eBooks

### **Solar Night Light Schematic Introduction**

Solar Night Light Schematic Offers over 60,000 free eBooks, including many classics that are in the public domain. Open Library: Provides access to over 1 million free eBooks, including classic literature and contemporary works. Solar Night Light Schematic Offers a vast collection of books, some of which are available for free as PDF downloads, particularly older books in the public domain. Solar Night Light Schematic : This website hosts a vast collection of scientific articles, books, and textbooks. While it operates in a legal gray area due to copyright issues, its a popular resource for finding various publications. Internet Archive for Solar Night Light Schematic : Has an extensive collection of digital content, including books, articles, videos, and more. It has a massive library of free downloadable books. Free-eBooks Solar Night Light Schematic Offers a diverse range of free eBooks across various genres. Solar Night Light Schematic Focuses mainly on educational books, textbooks, and business books. It offers free PDF downloads for educational purposes. Solar Night Light Schematic Provides a large selection of free eBooks in different genres, which are available for download in various formats, including PDF. Finding specific Solar Night Light Schematic, especially related to Solar Night Light Schematic, might be challenging as theyre often artistic creations rather than practical blueprints. However, you can explore the following steps to search for or create your own Online Searches: Look for websites, forums, or blogs dedicated to Solar Night Light Schematic, Sometimes enthusiasts share their designs or concepts in PDF format. Books and Magazines Some Solar Night Light Schematic books or magazines might include. Look for these in online stores or libraries. Remember that while Solar Night Light Schematic, sharing copyrighted material without permission is not legal. Always ensure youre either creating your own or obtaining them from legitimate sources that allow sharing and downloading. Library Check if your local library offers eBook lending services. Many libraries have digital catalogs where you can borrow Solar Night Light Schematic eBooks for free, including popular titles. Online Retailers: Websites like Amazon, Google Books, or Apple Books often sell eBooks. Sometimes, authors or publishers offer promotions or free periods for certain books. Authors Website Occasionally, authors provide excerpts or short stories for free on their websites. While this might not be the Solar Night Light Schematic full book , it can give you a taste of the authors writing style. Subscription Services Platforms like Kindle Unlimited or Scribd offer subscription-based access to a wide range of Solar Night Light Schematic eBooks, including some popular titles.

## **FAQs About Solar Night Light Schematic Books**

How do I know which eBook platform is the best for me? Finding the best eBook platform depends on your reading preferences and device compatibility. Research different platforms, read user reviews, and explore their features before making a choice. Are free eBooks of good quality? Yes, many reputable platforms offer high-quality free eBooks, including classics and public domain works. However, make sure to verify the source to ensure the eBook credibility. Can I read eBooks without an eReader? Absolutely! Most eBook platforms offer webbased readers or mobile apps that allow you to read eBooks on your computer, tablet, or smartphone. How do I avoid digital eye strain while reading eBooks? To prevent digital eye strain, take regular breaks, adjust the font size and background color, and ensure proper lighting while reading eBooks. What the advantage of interactive eBooks? Interactive eBooks incorporate multimedia elements, quizzes, and activities, enhancing the reader engagement and providing a more immersive learning experience. Solar Night Light Schematic is one of the best book in our library for free trial. We provide copy of Solar Night Light Schematic in digital format, so the resources that you find are reliable. There are also many Ebooks of related with Solar Night Light Schematic. Where to download Solar Night Light Schematic online for free? Are you looking for Solar Night Light Schematic PDF? This is definitely going to save you time and cash in something you should think about. If you trying to find then search around for online. Without a doubt there are numerous these available and many of them have the freedom. However without doubt you receive whatever you purchase. An alternate way to get ideas is always to check another Solar Night Light Schematic. This method for see exactly what may be included and adopt these ideas to your book. This site will almost certainly help you save time and effort, money and stress. If you are looking for free books then you really should consider finding to assist you try this. Several of Solar Night Light Schematic are for sale to free while some are payable. If you arent sure if the books you would like to download works with for usage along with your computer, it is possible to download free trials. The free guides make it easy for someone to free access online library for download books to your device. You can get free download on free trial for lots of books categories. Our library is the biggest of these that have literally hundreds of thousands of different products categories represented. You will also see that there are specific sites catered to different product types or categories, brands or niches related with Solar Night Light Schematic. So depending on what exactly you are searching, you will be able to choose e books to suit your own need. Need to access completely for Campbell Biology Seventh Edition book? Access Ebook without any digging. And by having access to our ebook online or by storing it on your computer, you have convenient answers with Solar Night Light Schematic To get started finding Solar Night Light Schematic, you are right to find our website which has a comprehensive collection of books online. Our library is the biggest of these that have literally hundreds of thousands of different products represented. You will also see that there are specific sites catered to different categories or niches related with Solar Night Light Schematic So depending on what exactly you are searching, you will be

able to choose ebook to suit your own need. Thank you for reading Solar Night Light Schematic. Maybe you have knowledge that, people have searched numerous times for their favorite readings like this Solar Night Light Schematic, but end up in harmful downloads. Rather than reading a good book with a cup of coffee in the afternoon, instead they juggled with some harmful bugs inside their laptop. Solar Night Light Schematic is available in our book collection and online access to it is set as public so you can download it instantly. Our digital library spans in multiple locations, allowing you to get the most less latency time to download any of our books like this one. Merely said, Solar Night Light Schematic is universally compatible with any devices to read.

### Find Solar Night Light Schematic :

[manuale delle procedure infermieristiche](#)

[interethnic communication southern anthropological society proceedings no. 12](#)

[voltage wiring colours chart](#)

[manual repair bpu3545a](#)

**suzuki f6a engine manual**

[naughty bits part i the lingerie shop](#)

**a family affair christmas truth in lies volume 5**

[2014 requirement for chemical engineering at vaal](#)

[instructors resource kit perform w/ms office xp intro](#)

**yamaha cg111c guitars owners manual**

**dodge caravan chrysler voyager town country**

**might magic vi and player manual**

[user manual tablet pc model s707](#)

[rainy season essay for class 6](#)

**economics march common test 2grade 1question paper**

### Solar Night Light Schematic :

**extralargeprint.org hunger games pdf pdf devy ortax - Jun 21 2023**

best place within net connections if you mean to download and install the extralargeprint.org hunger games pdf it is very easy then past currently we extend the join to buy and make



[the hunger games movie review common sense](#) - Mar 18 2023

the hunger games film series is composed of science fiction dystopian adventure films based on the hunger games trilogy of novels by american author suzanne collins the films are

[download ebook extralargeprint org hunger games read pdf](#) - Dec 15 2022

magazine extralargeprint org hunger games that you are looking for you cannot need more period to devote to go to the ebook launch as proficiently as search for them

**extralargeprint org hunger games pdf pdf** - May 20 2023

web extralargeprint org hunger games the politics of the hunger games may 23 2022 set in the future dystopia of panem the hunger games trilogy follows the rise of a provincial rebellion

**extralargeprint org hunger games mmost 44con** - Aug 11 2022

jun 18 2023 this extralargeprint org hunger games as one of the most functioning sellers here will wholly be accompanied by the best options to review you can get it while function

[extralargeprint org hunger games pdf vla ramtech](#) - Apr 19 2023

1920 hunger games 3d models every day new 3d models from all over the world click to find the best results for hunger games models for your 3d printer

**extralargeprint org hunger games store sbtexas** - Sep 12 2022

the biggest hunger games sim ever again is a hunger games simulator season created by voltfalcon a reddit user it is a 200 tribute season featuring a diverse collection of tributes

*season script the biggest hunger games sim* - Jul 10 2022

it is your categorically own era to do its stuff reviewing habit along with guides you could enjoy now is extralargeprint org hunger games below extralargeprint org hunger games

*the biggest hunger games sim ever again* - Jun 09 2022

4 extralargeprint org hunger games 2020 04 25 more than 120 million copies since the time of their first publication in 1836 a canticle for leibowitz penguin the new testament in true

[the hunger games film series wikipedia](#) - Jan 16 2023

aug 26 2023 extralargeprint org hunger games torrent9 ec recherche hunger games the hunger games movie review common sense media watch the hunger games full movie

*the hunger games in 18 point type extra large* - Aug 23 2023

alternatively you can also file an issue here this requires you to have a free gitlab account the source code of the agma schwa hunger games simulator is hosted in this gitlab

**extralargeprintorghungergames rmcervero** - Feb 05 2022

extralargeprint org hunger games rchat technosolutions com - Apr 07 2022

the hunger games in 18 point type extra large print books en english deutsch français español português italiano român  
nederlands latina dansk svenska norsk magyar bahasa

**the hunger games in 18 point type extra large print books** - Sep 24 2023

dec 27 2012 extralargeprint org you also want an epaper increase the reach of your titles yumpu automatically turns print  
pdfs into web optimized epapers that google loves start

**hunger games 3d models to print yeggi** - Feb 17 2023

jul 19 2023 final book in the new york times bestselling hunger games trilogy by suzanne collins approaching the hunger  
games trilogy jun 25 2021 this book addresses suzanne

extralargeprint org hunger games - Oct 13 2022

this is the sequence of events in the biggest hunger games sim as the tributes stand on their podiums the horn sounds derek  
lucks sets spencer on fire with a molotov neji takes a

extralargeprint org hunger games - Mar 06 2022

the hunger games in 18 point type extra large print books - Jan 04 2022

hunger games coloring pages coloring home - Nov 14 2022

jun 7 2023 extralargeprint org hunger games pdf free download here welcome to the woolf foundation library extra large  
print extralargeprint org masterlist1 pdf this is

extralargeprint org hunger games bespoke cityam - May 08 2022

1 extralargeprintorghungergames thank you certainly much for downloading extralargeprintorghungergames maybe you  
have knowledge that people have see

hunger games simulator agma schwa - Jul 22 2023

title extralargeprint org hunger games pdf pdf devy ortax org created date 9 2 2023 4 52 27 am

asce manual of practice no 110 techstreet - Jun 25 2022

web feb 19 2008 asce manual 54 sedimentation engineering edited by the late professor vito a vanoni provides both  
qualitative and quantitative guidance to

**sedimentation engineering books asce library** - Mar 03 2023

web this classic edition with an improved easier to read format and redrawn figures is the progenitor of a companion manual sedimentation engineering processes

[sedimentation engineering manual 110 processes](#) - May 25 2022

web feb 19 2008 sedimentation engineering manual 110 processes measurements modeling and practice marcelo garcía editor 0 00 0 ratings0 reviews prepared by

[asce manual of practice 110 sedimentation](#) - May 05 2023

web may 19 2006 asce manual of practice 110 sedimentation engineering processes measurements modeling and practice request pdf authors marcelo h garcía

[sedimentation engineering books vol mop 110 no](#) - Apr 04 2023

web prepared by the asce task committee to expand and update manual 54 of the sedimentation committee of the environmental and water resources institute of

**asce manual of practice 110 sedimentation engineering** - Oct 10 2023

web apr 26 2012 it describes the nature and scope of sedimentation problems details methods of investigation and presents practical approaches to solution and

**review of sedimentation engineering processes asce library** - Jan 01 2023

web jun 6 2009 sedimentation engineering processes measurements modeling and practice asce manuals and reports on engineering practice no

**manual of practice no 110 sedimentation engineering** - Jan 21 2022

web dec 30 2017 page 1 save this book to read sedimentation engineering asce practice manual 110 pdf ebook at our online library get sedimentation engineering asce

**sedimentation engineering manual 110 processes meas** - Apr 23 2022

web may 15 2009 sedimentation engineering is a very important subject that deals with sedimentation processes such as erosion entrainment transport deposition and

**asce mop 110 2008 sedimentation engineering ansi webstore** - Jul 27 2022

web may 15 2008 this manual is intended to supplement sedimentation engineering classic edition asce manuals and reports on engineering practice no 54 a

**sedimentation engineering asce practice manual 110 issuu** - Dec 20 2021

**sedimentation engineering asce library** - Jul 07 2023

web sedimentation engineering abstract this set includes two asce manuals and reports on engineering practice mop that

focus on sedimentation engineering individual

[sedimentation engineering manual 110 processes](#) - Aug 08 2023

web a supplement to the classic sedimentation engineering manual 54 this new volume not only documents the evolution of the field over a 50 year period but also reports on the

**sedimentation engineering processes measurements** - Sep 28 2022

web asce manuals and reports on engineering practice no 110 sedimentation engineering processes measurements modeling and practice edited by marcelo h

**asce manual of practice 110 sedimentation engineering** - Oct 30 2022

web environmental and water resources institute u s asce task committee to expand and update manual 54 publisher reston va american society of civil engineers 2008

**sedimentation engineering asce library** - Feb 02 2023

web sedimentation engineering edited by vito a vanoni prepared by the asce task committee for the preparation of the manual on sedimentation of the sedimentation

**this is a preview of asce mop 110 2008 ansi webstore** - Aug 28 2022

web this manual is intended to supplement sedimentation engineering classic edition asce manuals and reports on engineering practice no 54 an seminal text on the

*asce manual of practice no 110 pdf norm library* - Feb 19 2022

web manual of practice no 110 sedimentation engineering 2008 madcad com asce manual of practice no 110 sedimentation engineering edition 2008 147 86 user

[review of sedimentation engineering processes asce library](#) - Mar 23 2022

web may 15 2008 this manual is intended to supplement sedimentation engineering classic edition asce manuals and reports on engineering practice no 54 a

**sedimentation engineering asce library** - Sep 09 2023

web asce manuals and reports on engineering practice no 110 sedimentation engineering processes measurements modeling and practice edited by marcelo h

*sedimentation engineering processes* - Nov 30 2022

web may 19 2006 asce manual of practice 110 sedimentation engineering processes measurements modeling and practice semantic scholar doi 10 1061 40856 200 94

*sedimentation engineering books asce library* - Jun 06 2023

web sedimentation engineering processes measurements modeling and practice abstract prepared by the asce task

committee to expand and update manual 54 of the  
**canadian electrical code wikipedia** - Nov 02 2022

web the canadian electrical code ce code or csa c22 1 is a standard published by the canadian standards association pertaining to the installation and maintenance of electrical equipment in canada the first edition of the canadian electrical code was

**guide to the canadian electrical code part i iaei magazine** - May 28 2022

web dec 11 2017 open wiring rules 12 200 to 12 224 apply to single conductors run as open wiring colloquially referred to as knob and tube wiring exposed wiring on exteriors of buildings and between buildings on the same premises rules 12 302 to 12 318 bare busbars and risers rules 12 400 non metallic sheathed cable rules 12 500 to 12

**guide to the canadian electrical code part i instalment 2** - Mar 26 2022

web nov 6 2019 guide to the canadian electrical code part i instalment 2 nov 6 2019 by william bill burr often code users encounter situations where they find themselves at odds with the rules contained in the canadian electrical code part i these situations can occur for designers consultants installers inspectors manufacturers

*the electrician s handbook rennlist* - May 08 2023

web however the electrical and electronic manufacturers association of canada has suggested that all purchasers of pvc insulated jacketed products be advised of the following non metallic coverings of electrical cables

*nmd90 nmwu 15 20 30 45 65 85 105 120 copper city electric* - Mar 06 2023

web note allowable ampacities are for general use as specified by canadian electrical code 2002 table 2 based on not more than 3 copper or aluminum conductors in raceway or cable

[2021 canadian electrical code part 1 updates article 2](#) - Feb 05 2023

web steve douglas july 1 2021 canadian perspectives july august 2021 this is the second of a series of articles detailing significant changes for the 2021 canadian electrical code part i ce code a full copy of the ce code is available at csagroup org store

**guide to the canadian electrical code part 1 i 25th edition a** - Jul 10 2023

web may 11 2023 table 57 referenced by rule 16 210 6 and table 5a provides allowable ampacities for class 2 copper conductors based on the size of the conductor and whether it is a single conductor in free air or not more than three copper conductors in raceway or cable and an ambient temperature of 30 degrees centigrade

**wire size calculator electrical guy** - Jan 04 2023

web new circuit ampacity for 2 runs 540a 2 270a recommended wire size 300 mcm 1 run of 1000 mcm or 2 runs of 300 mcm will carry 540a safely this can be done for multiple runs if you want to run 3 parallel runs then divide the ampacity by 3

instead motor conductor

*ampacity charts daltco* - Feb 22 2022

web warning installation of electrical wire can be hazardous if done improperly can result in personal injury or property damage for safe wiring practices consult the national electrical code and your local building inspector wire size and amp ratings cerro wire ll c rev 02 2015 rev 02 2015

2021 ce code part 1 article 1 iaei magazine - Oct 01 2022

web may 1 2021 this is the first of a series of articles detailing significant changes for the 2021 canadian electrical code part i ce code a full copy of the ce code is available at csagroup.org store

guide to the canadian electrical code part i instalment 43 - Aug 11 2023

web table 1 and 3 ampacities for 2 to 4 single conductors table 5b tables 2 and 4 for more than 3 insulated conductors table 5c for vertical layers of insulated conductors in ventilated ladder type trays

**guide to the canadian electrical code part i section 28** - Jun 28 2022

web feb 1 2021 by william bill burr rule 28 000 scope states that section 28 motors and generators is a supplementary or amendatory section of the code and provides additional and specific requirements for the installation wiring methods conductors protection and control of all motors and generators

**application of rule 4 006 of the canadian electrical code** - Jul 30 2022

web may 1 2020 although as per 90 c column of table 2 the ampacity of such no 3 awg conductor is 115 a in accordance with provisions of rule 4 006 the ampacity of this conductor would be assigned based on 75 c column of

*table 2 b maximum amperage for common wire* - Sep 12 2023

web table 2 b maximum amperage for common wire sizes per canadian electrical code cec canada copper wire aluminum or copper size clad aluminum temperature 60 c 75 c 90 c 60 c 75 c 85 90 c rating 15 15 15 14 20 20 20 12 15 15 15 30 30 30 10 25 25 25 40 45 45 8 30 30 30 55 65 65 6 40 50 55 70 85 4 55 65

**revised march 2021 csa group** - Apr 07 2023

web csa c22 1 21 canadian electrical code part i administrative update march 2021 index added

guide to the canadian electrical code part i iaei magazine - Dec 03 2022

web mar 14 2017 rule 4 004 ampacity of wires and cables contains 7 items each in subrules 1 and 2 covering scenario options each for copper and aluminum that need to be studied and chosen in addition there are 21 other factors in

**conductor wire size calculation according to the cec 2021** - Jun 09 2023

web in canada the canadian electrical code cec provides guidelines and tables to help determine the correct wire size based on various factors in this article we will walk you through the step by step process of calculating wire size according to the

cec

conductor sizing canadian electrical code cec - Oct 13 2023

web table 2 and 4 allowable ampacities of less than 4 insulated conductors rated 0 2000 volts based on 30 c ambient temperature and in a raceway or cable this table provides ampacity values for various sizes of copper and aluminum conductors based on their insulation type and the termination temperature rating

*csa c22 2 no 0 20 product csa group* - Aug 31 2022

web preface this is the eleventh edition of csa c22 2 no 0 general requirements canadian electrical code part ii it supersedes the previous editions published in 2010 1991 1982 1975 1960 1956 1950 1941 1936 and 1932 changes in this edition include the following a updates of definitions to align with canadian electrical code

*wire and cable ampacity ratings anixter* - Apr 26 2022

web for example a 10 awg 3c 600 v cable with xhhw singles would have an ampacity of 35 amps if using the 75 c column in nec 2014 table 310 15 b 16 allowable ampacities of insulated conductors rated up to and including 2000 volts 60 c through 90 c not more than three current carrying conductors in raceway cable