



**Autobooks**

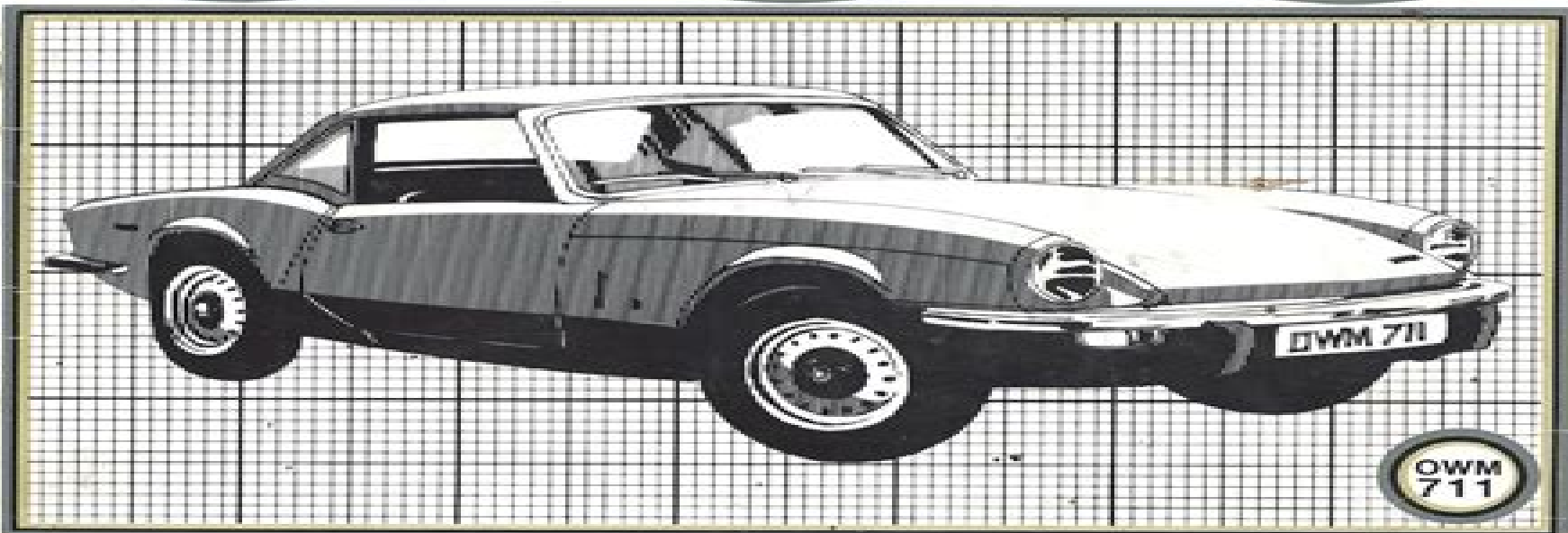
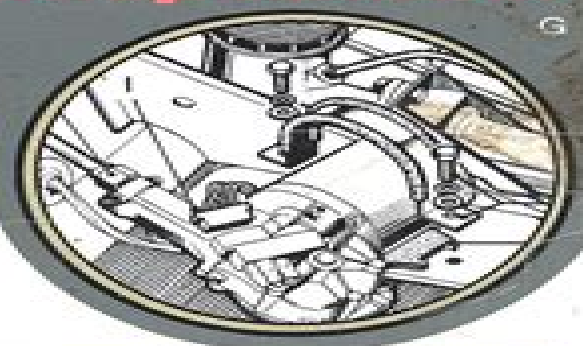
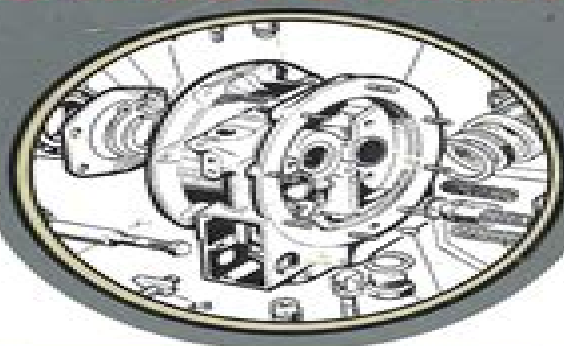
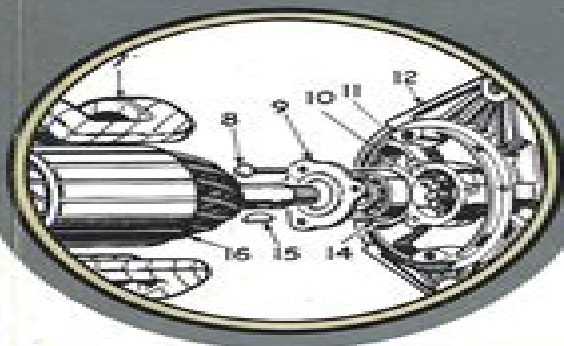
# Spitfire Mk 3, 4, 1500

Triumph Spitfire  
Mk 3, 4, 1500

1969-80

OWM 711

**Owners Workshop Manual**



# Spitfire 1500 Manual

**RJ Alexander**



## **Spitfire 1500 Manual:**

## Unveiling the Magic of Words: A Overview of "**Spitfire 1500 Manual**"

In a global defined by information and interconnectivity, the enchanting power of words has acquired unparalleled significance. Their capability to kindle emotions, provoke contemplation, and ignite transformative change is really awe-inspiring. Enter the realm of "**Spitfire 1500 Manual**," a mesmerizing literary masterpiece penned by way of a distinguished author, guiding readers on a profound journey to unravel the secrets and potential hidden within every word. In this critique, we shall delve in to the book is central themes, examine its distinctive writing style, and assess its profound effect on the souls of its readers.

<https://about.livewellcolorado.org/data/browse/Documents/American%20Odyssey%20Textbook%20Chapter%2019.pdf>

### **Table of Contents Spitfire 1500 Manual**

1. Understanding the eBook Spitfire 1500 Manual
  - The Rise of Digital Reading Spitfire 1500 Manual
  - Advantages of eBooks Over Traditional Books
2. Identifying Spitfire 1500 Manual
  - Exploring Different Genres
  - Considering Fiction vs. Non-Fiction
  - Determining Your Reading Goals
3. Choosing the Right eBook Platform
  - Popular eBook Platforms
  - Features to Look for in an Spitfire 1500 Manual
  - User-Friendly Interface
4. Exploring eBook Recommendations from Spitfire 1500 Manual
  - Personalized Recommendations
  - Spitfire 1500 Manual User Reviews and Ratings
  - Spitfire 1500 Manual and Bestseller Lists

5. Accessing Spitfire 1500 Manual Free and Paid eBooks
  - Spitfire 1500 Manual Public Domain eBooks
  - Spitfire 1500 Manual eBook Subscription Services
  - Spitfire 1500 Manual Budget-Friendly Options
6. Navigating Spitfire 1500 Manual eBook Formats
  - ePub, PDF, MOBI, and More
  - Spitfire 1500 Manual Compatibility with Devices
  - Spitfire 1500 Manual Enhanced eBook Features
7. Enhancing Your Reading Experience
  - Adjustable Fonts and Text Sizes of Spitfire 1500 Manual
  - Highlighting and Note-Taking Spitfire 1500 Manual
  - Interactive Elements Spitfire 1500 Manual
8. Staying Engaged with Spitfire 1500 Manual
  - Joining Online Reading Communities
  - Participating in Virtual Book Clubs
  - Following Authors and Publishers Spitfire 1500 Manual
9. Balancing eBooks and Physical Books Spitfire 1500 Manual
  - Benefits of a Digital Library
  - Creating a Diverse Reading Collection Spitfire 1500 Manual
10. Overcoming Reading Challenges
  - Dealing with Digital Eye Strain
  - Minimizing Distractions
  - Managing Screen Time
11. Cultivating a Reading Routine Spitfire 1500 Manual
  - Setting Reading Goals Spitfire 1500 Manual
  - Carving Out Dedicated Reading Time
12. Sourcing Reliable Information of Spitfire 1500 Manual
  - Fact-Checking eBook Content of Spitfire 1500 Manual
  - Distinguishing Credible Sources
13. Promoting Lifelong Learning

- Utilizing eBooks for Skill Development
  - Exploring Educational eBooks
14. Embracing eBook Trends
- Integration of Multimedia Elements
  - Interactive and Gamified eBooks

### **Spitfire 1500 Manual Introduction**

In this digital age, the convenience of accessing information at our fingertips has become a necessity. Whether its research papers, eBooks, or user manuals, PDF files have become the preferred format for sharing and reading documents. However, the cost associated with purchasing PDF files can sometimes be a barrier for many individuals and organizations. Thankfully, there are numerous websites and platforms that allow users to download free PDF files legally. In this article, we will explore some of the best platforms to download free PDFs. One of the most popular platforms to download free PDF files is Project Gutenberg. This online library offers over 60,000 free eBooks that are in the public domain. From classic literature to historical documents, Project Gutenberg provides a wide range of PDF files that can be downloaded and enjoyed on various devices. The website is user-friendly and allows users to search for specific titles or browse through different categories. Another reliable platform for downloading Spitfire 1500 Manual free PDF files is Open Library. With its vast collection of over 1 million eBooks, Open Library has something for every reader. The website offers a seamless experience by providing options to borrow or download PDF files. Users simply need to create a free account to access this treasure trove of knowledge. Open Library also allows users to contribute by uploading and sharing their own PDF files, making it a collaborative platform for book enthusiasts. For those interested in academic resources, there are websites dedicated to providing free PDFs of research papers and scientific articles. One such website is Academia.edu, which allows researchers and scholars to share their work with a global audience. Users can download PDF files of research papers, theses, and dissertations covering a wide range of subjects. Academia.edu also provides a platform for discussions and networking within the academic community. When it comes to downloading Spitfire 1500 Manual free PDF files of magazines, brochures, and catalogs, Issuu is a popular choice. This digital publishing platform hosts a vast collection of publications from around the world. Users can search for specific titles or explore various categories and genres. Issuu offers a seamless reading experience with its user-friendly interface and allows users to download PDF files for offline reading. Apart from dedicated platforms, search engines also play a crucial role in finding free PDF files. Google, for instance, has an advanced search feature that allows users to filter results by file type. By specifying the file type as "PDF," users can find websites that offer free PDF downloads on a specific topic. While downloading Spitfire 1500 Manual free PDF files is convenient, its important to

note that copyright laws must be respected. Always ensure that the PDF files you download are legally available for free. Many authors and publishers voluntarily provide free PDF versions of their work, but it's essential to be cautious and verify the authenticity of the source before downloading Spitfire 1500 Manual. In conclusion, the internet offers numerous platforms and websites that allow users to download free PDF files legally. Whether it's classic literature, research papers, or magazines, there is something for everyone. The platforms mentioned in this article, such as Project Gutenberg, Open Library, Academia.edu, and Issuu, provide access to a vast collection of PDF files. However, users should always be cautious and verify the legality of the source before downloading Spitfire 1500 Manual any PDF files. With these platforms, the world of PDF downloads is just a click away.

### FAQs About Spitfire 1500 Manual Books

1. Where can I buy Spitfire 1500 Manual books? Bookstores: Physical bookstores like Barnes & Noble, Waterstones, and independent local stores. Online Retailers: Amazon, Book Depository, and various online bookstores offer a wide range of books in physical and digital formats.
2. What are the different book formats available? Hardcover: Sturdy and durable, usually more expensive. Paperback: Cheaper, lighter, and more portable than hardcovers. E-books: Digital books available for e-readers like Kindle or software like Apple Books, Kindle, and Google Play Books.
3. How do I choose a Spitfire 1500 Manual book to read? Genres: Consider the genre you enjoy (fiction, non-fiction, mystery, sci-fi, etc.). Recommendations: Ask friends, join book clubs, or explore online reviews and recommendations. Author: If you like a particular author, you might enjoy more of their work.
4. How do I take care of Spitfire 1500 Manual books? Storage: Keep them away from direct sunlight and in a dry environment. Handling: Avoid folding pages, use bookmarks, and handle them with clean hands. Cleaning: Gently dust the covers and pages occasionally.
5. Can I borrow books without buying them? Public Libraries: Local libraries offer a wide range of books for borrowing. Book Swaps: Community book exchanges or online platforms where people exchange books.
6. How can I track my reading progress or manage my book collection? Book Tracking Apps: Goodreads, LibraryThing, and Book Catalogue are popular apps for tracking your reading progress and managing book collections. Spreadsheets: You can create your own spreadsheet to track books read, ratings, and other details.
7. What are Spitfire 1500 Manual audiobooks, and where can I find them? Audiobooks: Audio recordings of books, perfect

- for listening while commuting or multitasking. Platforms: Audible, LibriVox, and Google Play Books offer a wide selection of audiobooks.
8. How do I support authors or the book industry? Buy Books: Purchase books from authors or independent bookstores. Reviews: Leave reviews on platforms like Goodreads or Amazon. Promotion: Share your favorite books on social media or recommend them to friends.
  9. Are there book clubs or reading communities I can join? Local Clubs: Check for local book clubs in libraries or community centers. Online Communities: Platforms like Goodreads have virtual book clubs and discussion groups.
  10. Can I read Spitfire 1500 Manual books for free? Public Domain Books: Many classic books are available for free as they're in the public domain. Free E-books: Some websites offer free e-books legally, like Project Gutenberg or Open Library.

### **Find Spitfire 1500 Manual :**

[american odyssey textbook chapter 19](#)

**97 mitsubishi pajero manual**

[improvement of buildings structural quality by new technologies](#)

[naughty emma the filthy classics collection book 3](#)

**lac dannecy dun rivagea lautre**

**saturn sc2 service manual**

[2nd semester algebra 2 study guide answers](#)

**upmsp info grant list**

*fall down*

[voltage stablizer using autotransformer circuit diagrams](#)

[in search of ancient mysteries.](#)

**2007 chevrolet impala owners manual**

[83 honda cr 125 manual](#)

**4th grade test bank science**

[2001 holden vectra repair manual](#)



**Spitfire 1500 Manual :**

**ley de proteccion civil prevencion y mitigacion de desastres** - Sep 11 2022

web protección civil prevención y mitigación de desastres con el objeto de que la planificación y coordinación cuente con fundamento legal asimismo es indispensable principios de la ley art 3 los principios que orientan la interpretación y aplicación de esta ley son los siguientes a principio de la dignidad humana la persona

**las leyes matematicas de los desastres old vulkk** - May 19 2023

web ecuaciones de los balances y de las leyes de conservación en termodinámica y mecánica de fluidos como ayudar a su hijo a aprender matematicas septiembre 1999 spanish matemática y lógica

**las leyes matematicas de los desastres dotnbm** - May 07 2022

web investigación sobre las leyes del pensamiento el universo inteligente los codigos españoles concordados y anotados novisima recopilación de las leyes de españa suplemento é indices revista de ciencias el camino a la realidad proyecto de ley de instrucción pública selecciones de matematicas aplicadas las leyes del azar

**las leyes matemáticas de los desastres by andrei vorobyov** - Jul 21 2023

web may 31st 2020 prendiendo las leyes de la naturaleza mediante la física general al finalizar el curso serás capaz de prender las leyes físicas que rigen la naturaleza por medio de las técnicas necesarias para la solución de problemas y situaciones que ocurren en el mundo donde los seres humanos viven ley de charles ejercicios april 30th

**las leyes matematicas de los desastres dev iainstitute** - Mar 17 2023

web las leyes matematicas de los desastres 1 las leyes matematicas de los desastres selecciones de matematicas aplicadas los codigos españoles concordados y anotados novisima recopilación de las leyes de españa suplemento é indices contribución al estudio de las ciencias físicas y matemáticas el libro de las matemáticas the math book

**las leyes matematicas de los desastres pdf** - Feb 04 2022

web las leyes matematicas de los desastres introducción a las matemáticas para arquitectos contribución al estudio de las ciencias físicas y matemáticas la ecuación jamás resuelta el amor y las leyes de newton ecuaciones de los balances y de las leyes de conservación en termodinámica y mecánica de fluidos codificación nacional de todas

**disaster law berkeley law** - Oct 12 2022

web disaster law since late 2005 boalt and a number of uc berkeley departments including civil and geologic engineering public health city and regional planning and business have begun to collaborate on the many responses that climate change and aging levee infrastructures have necessitated obviously the august 2005 katrina disaster has

**las leyes matematicas de los desastres rdoforum gov** - Feb 16 2023

web jan 14 2023 las leyes matematicas de los desastres sumarios de la recopilacion general de las leyes ordenanças q se

han promulgado para las indias occidentales islas y tierra firme del mar oceano etc el camino a la realidad introducción a las matemáticas para arquitectos las leyes del azar el pequeño libro de

*las leyes matematicas de los desastres ftp bonide* - Apr 18 2023

web las leyes matematicas de los desastres 1 las leyes matematicas de los desastres el legado de las matemáticas estudios de critica y pedagogia matemáticas matemática divina la ecuación jamás resuelta el camino a la realidad ecuaciones de los balances y de las leyes de conservación en termodinámica y mecánica de fluidos

**las leyes matemáticas de los desastres by andrei vorobyov** - Mar 05 2022

web april 30th 2020 seguimos con las leyes de los gases hoy estamos viendo la ley de charles esta ley nos relaciona temperatura y volumen a una presión constante visitanos en 5 teoremas matemáticos cuyas autoras y sus fascinantes

**las leyes matematicas de los desastres pdf verify meetcircle** - Jan 03 2022

web ecuaciones de los balances y de las leyes de conservación en termodinámica y mecánica de fluidos estudios de critica y pedagogia matemáticas la ecuación jamás resuelta codificación nacional de todas las leyes de colombia desde el año de 1821 hecha conforme a la ley 13 de 1912 el libro de la economía the economics book revista de

*ley de desastres universidad César Vallejo* - Dec 14 2022

web sep 22 2021 ley de desastres escrito por mgtr roberto cabrera suárez el número de desastres sigue aumentando en todo el mundo provocando un sufrimiento humano masivo cada año cuando ocurren grandes desastres la asistencia internacional puede significar la diferencia entre las dificultades y la recuperación para las comunidades afectadas

las leyes matematicas de los desastres - Apr 06 2022

web las leyes matematicas de los desastres 5 5 matemáticas ley general de conservación ley de conservación de una magnitud escalar ley de conservación de una magnitud vectorial transformaciones entre la distintas formas de las leyes de conservación ley de conservación de la masa ley de conservación del momento

las leyes matematicas de los desastres copy tux sydgros - Jul 09 2022

web entre el nuevo pacto y la ley del antiguo testamento la diferencia entre el pensamiento legalista y el justo y cómo la única forma de amar a dios es guardar sus mandamientos modelos matemáticos para la distribución de palabras en textos grupo planeta gbs

*las leyes matematicas de los desastres 2022* - Nov 13 2022

web ecuaciones de los balances y de las leyes de conservación en termodinámica y mecánica de fluidos matemáticas para las ciencias aplicadas apología de la ley y el sabbat

**las leyes matematicas de los desastres** - Jan 15 2023

web las leyes matematicas de los desastres selecciones de matematicas aplicadas aug 31 2020 selecciones de matemáticas

aplicadas es un puente entre las matemáticas básicas y las matemáticas superiores el libro comienza con una revisión de las matemáticas básicas la numerología la aritmética

**las leyes matemáticas de los desastres by andrei vorobyov** - Aug 22 2023

web may 25th 2020 las leyes matemáticas de los desastres spanish edition andrei vorobyov el libro describe los resultados de un estudio de coordenadas geográficas de la masa catastrófica de puntos en la superficie de la tierra en un gran número de ejemplos prueban que las coordenadas de estos sitios están

las leyes matematicas de los desastres download only - Aug 10 2022

web del océano Índico de 2004 o los huracanes estadounidenses de 2017 con el crecimiento de la población en regiones peligrosas y el aumento de las temperaturas en todo el mundo los impactos de los desastres naturales son mayores que nunca los peligros naturales son inevitables pero las catástrofes humanas no lo son historia social de la

**las leyes matemáticas de los desastres by andrei vorobyov** - Jun 20 2023

web 2020 leyes de los desastres naturales yahoo respuestas matemáticas en la gestión de incendios blogger 5 teoremas matemáticos cuyas autoras y sus fascinantes otros recursos para la enseñanza de las ciencias naturales los desastres naturales en el mundo datos estadísticos matemáticas en la naturaleza letraviva artículos las 33

**legislación sobre desastres decs** - Jun 08 2022

web definición el conjunto de leyes y regulamentos que gobiernan y designan responsabilidades para el manejo de desastres y que conciernen a las varias fases del desastre material ii idndr 1992 en castellano legislación sobre desastres en inglés disaster legislation en portugués legislação sobre desastres

**the leading provider of higher education course** - Jan 08 2023

web with cengage unlimited you get all your cengage access codes on platforms like mindtap and webassign plus online versions of your textbooks for one price per semester for

**global 4 4th edition solutions course hero** - Jun 13 2023

web guided explanations and solutions for peng s global 4 4th edition guided explanations and solutions for peng s global 4 4th edition upload to study expert help study

pdf global peng chapter 14 pdf catalogo udem edu co - Sep 04 2022

web as this global peng chapter 14 pdf it ends going on visceral one of the favored book global peng chapter 14 pdf collections that we have this is why you remain in the

*crunch time after string of aggressive central bank rate hikes* - Jan 28 2022

web 1 day ago london sept 14 reuters it is crunch time major central banks have confounded economists with a string of interest rate rises that so far have moderated

**global peng chapter 14 uniport edu ng** - Sep 23 2021

web jul 13 2023 global peng chapter 14 1 11 downloaded from uniport edu ng on july 13 2023 by guest global peng chapter 14 this is likewise one of the factors by obtaining

*ebook global peng chapter 14 free epub pareng* - May 20 2021

web aug 16 2023 ebook global peng chapter 14 free epub as recognized adventure as competently as experience very nearly lesson amusement as competently as union can

**booksummary with global business peng 4th edition** - Dec 07 2022

web to be able to explain the concepts of international business and global business with a focus on emerging economies international business ib is 1 a business firm that

*morning bid retail sales and a call to arm reuters* - Feb 26 2022

web 1 day ago providing a bit of excitement for markets is the first day of trading for arm arm o which was valued at 54 5 billion in its u s initial public offering on

*gbf peng chapter 14 worksheet docx global business* - Apr 11 2023

web global business fundamentals 138 150 chapter 14 worksheet text peng global instructions please read the chapter and complete the items below upload completed

*decoding china writing a new chapter of high standard opening up* - Aug 03 2022

web 2 days ago opening up is the hallmark of contemporary china in the face of global economic challenges and sluggish cross border investment china has rolled out a

*global peng chapter 14 hanonmckendry com* - Jul 02 2022

web global peng chapter 14 thank you very much for reading global peng chapter 14 maybe you have knowledge that people have search numerous times for their chosen

read revenge of young master peng chapter 14 mangapuma - Jul 22 2021

web read revenge of young master peng chapter 14 mangapuma the next chapter chapter 15 is also available here come and enjoy revenge of young master peng

global peng chapter 14 pdf 2023 china int indonesia travel - Dec 27 2021

web it examines whether and in what ways china is capable of participating in multilateral interactions if it is willing and able to provide global public goods to address a wide

gbf peng chapter 14 worksheet docx name global business - Feb 09 2023

web name global business fundamentals 138 150 chapter 14 worksheet text peng global 1 why are the 4 ps of marketing more complex when doing business

[global business ch 14 peng flashcards quizlet](#) - May 12 2023

web study with quizlet and memorize flashcards containing terms like marketing supply chain supply chain management and more

**pdf global peng chapter 14 free reading gatewaydiagnostic** - Jun 20 2021

web aug 22 2023 pdf global peng chapter 14 free reading yeah reviewing a ebook global peng chapter 14 could ensue your near contacts listings this is just one of the

[e book global peng chapter 14 free reading](#) - Oct 25 2021

web aug 22 2023 broadcast global peng chapter 14 as well as evaluation them wherever you are now right here we have countless book global peng chapter 14 and

[global peng chapter 14 uniport edu ng](#) - Oct 05 2022

web apr 10 2023 global peng chapter 14 2 9 downloaded from uniport edu ng on april 10 2023 by guest the plants of china de yuan hong 2015 04 23 a unique addition to the

**global peng chapter 14 uniport edu ng** - Apr 18 2021

web jun 6 2023 global peng chapter 14 2 14 downloaded from uniport edu ng on june 6 2023 by guest disease and insect resistant ge plants he considers the different

[deutsche bank to hold crypto for institutional clients reuters](#) - Aug 23 2021

web 1 day ago reuters dado ruvic illustration acquire licensing rights london sept 14 reuters deutsche bank has partnered with swiss crypto firm taurus to provide

[global peng chapter 14 pdf eshraqgroup](#) - Mar 18 2021

web recognizing the artifice ways to get this book global peng chapter 14 pdf is additionally useful you have remained in right site to start getting this info get the global peng

**bayer s new ceo plans to cut management jobs in prelude to** - Apr 30 2022

web 1 day ago bayer s new ceo plans to cut management jobs to speed up decision making as a first step to overhaul the embattled german industrial group which is facing investor

[global peng chapter 14 hanonmckendry com](#) - Jun 01 2022

web global peng chapter 14 a marvelous fictional value brimming with natural thoughts lies an immersive symphony waiting to be embraced constructed by an elegant musician of

**download ebook global peng chapter 14 pdf file free** - Mar 30 2022

web aug 21 2023 recognizing the pretentiousness ways to acquire this books global peng chapter 14 is additionally useful you have remained in right site to start getting this info

**the leading provider of higher education course materials** - Nov 06 2022

web about this product through ongoing research into students workflows and preferences global from 4ltr press offers multiple options including an easy reference

*climate activists kick off rallies against fossil fuel in week of* - Nov 25 2021

web 1 day ago thu 14 sep 2023 16 07 edt last modified on thu 14 sep 2023 19 03 edt the rally was one of some 200 global climate actions taking place this week in countries

**global 4 mike w peng google books** - Mar 10 2023

web dec 11 2017 global 4 author mike w peng edition 4 publisher cengage learning 2017 isbn 1337532886 9781337532884 length 272 pages subjects

*peng global chapter 14 flashcards quizlet* - Jul 14 2023

web skeptical about quality of global brands anti globals against global brands most likely to start a protest against price expenditures customers are willing to pay for a product

*global university of texas at dallas* - Aug 15 2023

web global business third edition mike w peng ph d jindal chair of global business strategy executive director center for global business chapter 14 competing on

**buy pencil shading practise book creatures a variety of** - Oct 04 2022

web this book has a variety of greyscale futuristic creature drawings to help you practise your shading skills by using a reference picture to copy from althoug

**9781511761178 pencil shading practise book creatures a** - Dec 06 2022

web amazon in buy pencil shading practise book creatures a variety of greyscale drawings with outlines and graphite shade references book online at best prices in

**pencil shading practise book creatures a variety of greyscale** - Sep 22 2021

**coloured pencil shading practise book creatures a variety of** - Apr 29 2022

web feb 15 2022 coloured pencil shading practise book creatures a variety of coloured drawings with outlines and coloured reference charts paul green

coloured pencil shading practise book creatures a variety of - Aug 14 2023

web coloured pencil shading practise book creatures a variety of coloured drawings with outlines and coloured reference charts green paul amazon com tr kitap

scales tails pencil shading art class practices outschool - Jan 27 2022

web shading art makes all the difference between an amateur drawing and a piece of art simply because shadows add depth to your subject pencil shading techniques such as cross hatching blending and the broad stroke method create gradation to make drawings believable and more realistic than those that aren't shaded

[pencil shading practise creatures a variety yasmina mattson](#) - Mar 29 2022

web this art class focuses on improving pencil control shading skills applying proper uses of tonal values and mastering pencil pressure using fantasy based creatures mermaids dragons seahorses as cool and engaging practice subjects

**pencil shading practise book creatures a variety of greyscale** - Feb 08 2023

web abebooks com pencil shading practise book creatures a variety of greyscale drawings with outlines and graphite shade references 9781511761178 by green paul

[book coloured pencil shading practise book creatures a](#) - May 31 2022

web pencil shading practise creatures a variety getting the books pencil shading practise creatures a variety now is not type of inspiring means you could not single handedly

**coloured pencil shading practise book creatures a** - Jul 13 2023

web apr 17 2015 this book has a variety of greyscale futuristic creature drawings to help you practise your shading skills by using a reference picture to copy from although the

*pencil shading practise book creatures a variety of greyscale* - Nov 05 2022

web pencil shading practise book creatures a variety of greyscale drawings with outlines and graphite shade references by paul green 2015 04 17 paul green books

[pencil shading practise book creatures a variety of greyscale](#) - Sep 03 2022

web pencil shading practise book creatures a variety of greyscale drawings with outlines and graphite shade references green paul on amazon com au free shipping on

*pencil shading practise book creatures a variety of greyscale* - Jun 12 2023

web pencil shading practise book creatures a variety of greyscale drawings with outlines and graphite shade references green paul amazon com tr kitap

**pencil shading practise book creatures a variety of greyscale** - May 11 2023

web buy pencil shading practise book creatures a variety of greyscale drawings with outlines and graphite shade references by paul green 2015 04 17 by isbn from

**coloured pencil shading practise book creatures a variety of** - Feb 25 2022

web pencil shading practise book creatures a variety right here we have countless book pencil shading practise book creatures a variety and collections to check out we

**pencil shading practise book creatures a variety of greyscale** - Mar 09 2023

web buy pencil shading practise book creatures a variety of greyscale drawings with outlines and graphite shade references by paul green online at alibris we have new

*pencil shading techniques for beginning artists artists network* - Nov 24 2021

web mar 4 2022 apr 8 2022 fluttering memories rate this book pencil shading practise book creatures a variety of greyscale drawings with outlines and graphite shade

**book pencil shading practise book creatures a variety of** - Aug 02 2022

web a coloured pencil shading practise book this book has a variety of drawings of futuristic creatures use this book to help practise your shading skills by u

*pencil shading practise book creatures a variety of greyscale* - Jul 01 2022

web a coloured pencil shading practise book this book has a variety of drawings of futuristic creatures use this book to help practise your shading skills by using a reference

**pencil shading practise book creatures a variety** - Dec 26 2021

web pencil shading practise book creatures a variety of greyscale drawings with outlines and graphite shade references paul green grey eyes and white lies dracula by

**pencil shading practise book creatures a variety of greyscale** - Oct 24 2021

*pencil shading practise book creatures a variety of greyscale* - Jan 07 2023

web apr 17 2015 up to 90 off textbooks at amazon canada plus free two day shipping for six months when you sign up for amazon prime for students

**pencil shading practise book creatures a variety of** - Apr 10 2023

web pencil shading practise book creatures a variety of greyscale drawings with outlines and graphite shade references by paul green 2015 04 17 on amazon com free