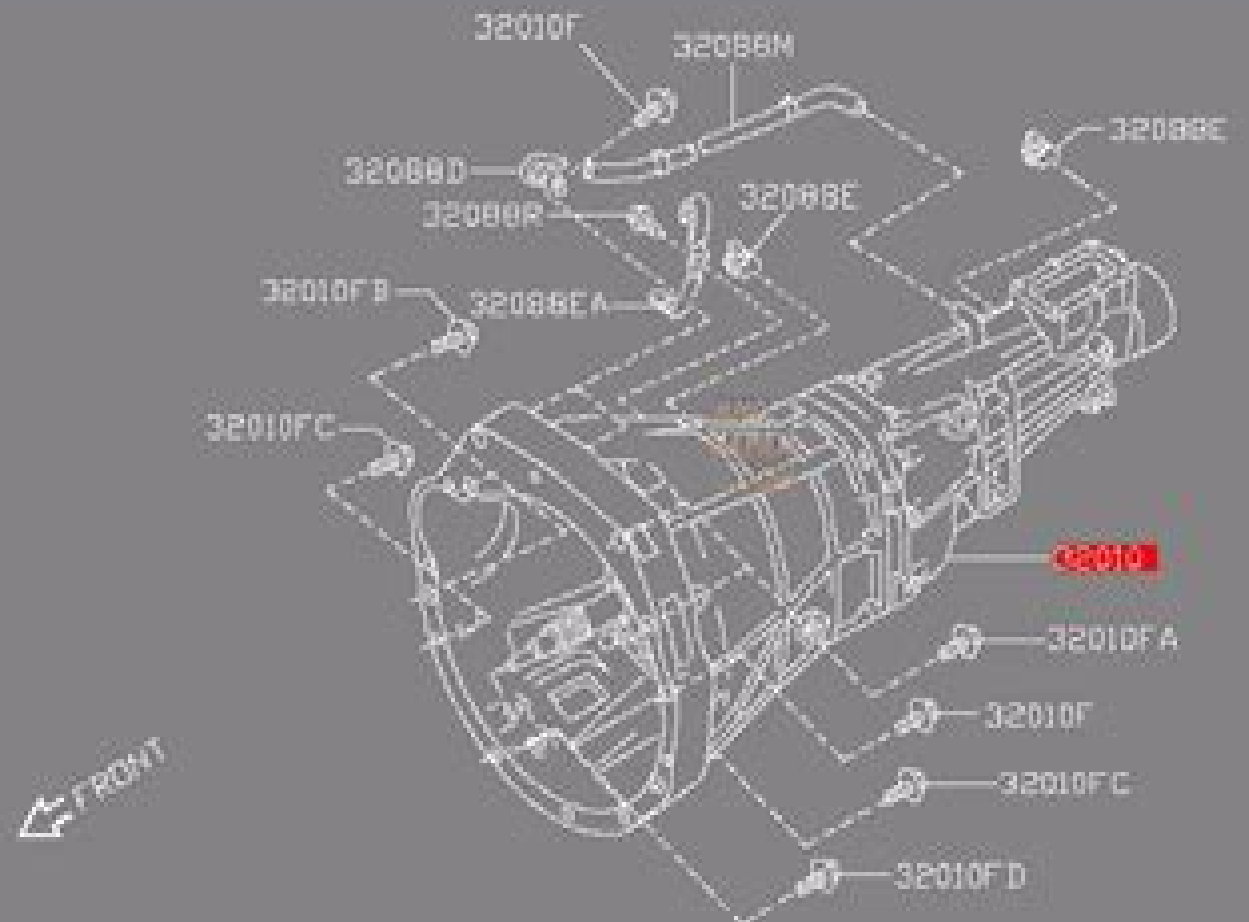




車種: S14 SEC.No: 320- -A 01 名称: 757A 15/117901, 15/1793166747(207)
/1: F85W71C 年月: 8310-8608
適用: NT



A320A257

Sr20det Full Service Manual

Michael S. Nolan



Sr20det Full Service Manual:

How to Build Performance Nissan Sport Compacts, 1991-2006 Sarah Forst, 2008 Vehicle maintenance **How to Build Performance Nissan Sport Compacts, 1991-2006 HP1541** Sarah Forst, 2008-11-04 This is a comprehensive guide to modifying the 1991 2006 Nissan Sentra NX and 200sx and Infiniti G20 for street and racing performance It includes sections on models and engines engine theory bolt on performance components cylinder heads and bottom end modifications forced induction engine swaps brakes suspension wheels and tires cosmetic and aerodynamics and safety **Direct Support and General Support Maintenance Manual** ,1974 **Aircraft Basic Science, Ninth Edition** Michael S. Nolan, 2025-05-15

The foundational information and latest technologies you need to ace the FAA airframe and powerplant maintenance certifications and excel in the aviation industry The most comprehensive text of its kind Aircraft Basic Science Ninth Edition covers the latest technologies in accessible language anyone can understand This heavily updated edition provides all the information applicable to both airframes and powerplants and their associated systems that you need for exam and career success Aircraft Basic Science Ninth Edition integrates aerospace technology and language throughout the text putting you ahead of the knowledge curve in a rapidly changing industry With the aviation aerospace industry continuing to expand globally this new edition includes international standards alongside the extensive U S standards that are currently emphasized Updates to this authoritative guide include Aerospace specific materials and their properties including corrosion control Energy calculations as they apply to trans atmospheric flight 3D printing as it applies to certificated aircraft Introductions to blended body and launch vehicle aerodynamics New metal fabrication as well as composite and exotic materials Upper atmosphere and lower orbital aerodynamic principles and examples Additions to the relevant ICAO EASA European and international rules and regulations including maintenance and repair organizations the NASA safety reporting system ATA systems the electronic document retrieval system and recordkeeping systems Written in a straightforward style complemented with illustrations designed to help you review for the FAA Airframe and or Powerplant Maintenance certification exams Aircraft Basic Science Ninth Edition provides everything you need to succeed in the aviation industry

Catalog of Copyright Entries. Third Series Library of Congress. Copyright Office, 1974 *Summary Technical Report of NDRC* United States. Office of Scientific Research and Development. National Defense Research Committee, 1946

Books and Pamphlets, Including Serials and Contributions to Periodicals Library of Congress. Copyright Office, 1974

Control Engineering ,1986 Instrumentation and automatic control systems Refrigeration Service and Contracting ,1966 *Radiological Health Data and Reports* United States. Public Health Service. Division of Radiological Health, 1965

Flying Magazine ,2002-08 *Jane's All the World's Aircraft* ,2006 **Metal Products Manufacturing** ,1966

ASHRAE Journal ,1966 *Flying Magazine* ,2002-08 *Popular Aviation and Aeronautics* ,2006 Flying Magazine ,2006-03 **The AOPA Pilot** ,2007 **Proceedings of the CMG XIV International Conference** Computer

Measurement Group,1983 *Flying Magazine* ,2004-12

This is likewise one of the factors by obtaining the soft documents of this **Sr20det Full Service Manual** by online. You might not require more time to spend to go to the book foundation as capably as search for them. In some cases, you likewise complete not discover the statement Sr20det Full Service Manual that you are looking for. It will certainly squander the time.

However below, following you visit this web page, it will be fittingly certainly easy to acquire as well as download lead Sr20det Full Service Manual

It will not acknowledge many grow old as we tell before. You can do it even though put on an act something else at house and even in your workplace. for that reason easy! So, are you question? Just exercise just what we present below as skillfully as review **Sr20det Full Service Manual** what you later to read!

<https://about.livewellcolorado.org/data/Resources/Documents/Specialist%20Study%20Guide%205301.pdf>

Table of Contents Sr20det Full Service Manual

1. Understanding the eBook Sr20det Full Service Manual
 - The Rise of Digital Reading Sr20det Full Service Manual
 - Advantages of eBooks Over Traditional Books
2. Identifying Sr20det Full Service Manual
 - Exploring Different Genres
 - Considering Fiction vs. Non-Fiction
 - Determining Your Reading Goals
3. Choosing the Right eBook Platform
 - Popular eBook Platforms
 - Features to Look for in an Sr20det Full Service Manual
 - User-Friendly Interface
4. Exploring eBook Recommendations from Sr20det Full Service Manual
 - Personalized Recommendations

- Sr20det Full Service Manual User Reviews and Ratings
- Sr20det Full Service Manual and Bestseller Lists
- 5. Accessing Sr20det Full Service Manual Free and Paid eBooks
 - Sr20det Full Service Manual Public Domain eBooks
 - Sr20det Full Service Manual eBook Subscription Services
 - Sr20det Full Service Manual Budget-Friendly Options
- 6. Navigating Sr20det Full Service Manual eBook Formats
 - ePub, PDF, MOBI, and More
 - Sr20det Full Service Manual Compatibility with Devices
 - Sr20det Full Service Manual Enhanced eBook Features
- 7. Enhancing Your Reading Experience
 - Adjustable Fonts and Text Sizes of Sr20det Full Service Manual
 - Highlighting and Note-Taking Sr20det Full Service Manual
 - Interactive Elements Sr20det Full Service Manual
- 8. Staying Engaged with Sr20det Full Service Manual
 - Joining Online Reading Communities
 - Participating in Virtual Book Clubs
 - Following Authors and Publishers Sr20det Full Service Manual
- 9. Balancing eBooks and Physical Books Sr20det Full Service Manual
 - Benefits of a Digital Library
 - Creating a Diverse Reading Collection Sr20det Full Service Manual
- 10. Overcoming Reading Challenges
 - Dealing with Digital Eye Strain
 - Minimizing Distractions
 - Managing Screen Time
- 11. Cultivating a Reading Routine Sr20det Full Service Manual
 - Setting Reading Goals Sr20det Full Service Manual
 - Carving Out Dedicated Reading Time
- 12. Sourcing Reliable Information of Sr20det Full Service Manual
 - Fact-Checking eBook Content of Sr20det Full Service Manual

- Distinguishing Credible Sources
13. Promoting Lifelong Learning
- Utilizing eBooks for Skill Development
 - Exploring Educational eBooks
14. Embracing eBook Trends
- Integration of Multimedia Elements
 - Interactive and Gamified eBooks

Sr20det Full Service Manual Introduction

In the digital age, access to information has become easier than ever before. The ability to download Sr20det Full Service Manual has revolutionized the way we consume written content. Whether you are a student looking for course material, an avid reader searching for your next favorite book, or a professional seeking research papers, the option to download Sr20det Full Service Manual has opened up a world of possibilities. Downloading Sr20det Full Service Manual provides numerous advantages over physical copies of books and documents. Firstly, it is incredibly convenient. Gone are the days of carrying around heavy textbooks or bulky folders filled with papers. With the click of a button, you can gain immediate access to valuable resources on any device. This convenience allows for efficient studying, researching, and reading on the go. Moreover, the cost-effective nature of downloading Sr20det Full Service Manual has democratized knowledge. Traditional books and academic journals can be expensive, making it difficult for individuals with limited financial resources to access information. By offering free PDF downloads, publishers and authors are enabling a wider audience to benefit from their work. This inclusivity promotes equal opportunities for learning and personal growth. There are numerous websites and platforms where individuals can download Sr20det Full Service Manual. These websites range from academic databases offering research papers and journals to online libraries with an expansive collection of books from various genres. Many authors and publishers also upload their work to specific websites, granting readers access to their content without any charge. These platforms not only provide access to existing literature but also serve as an excellent platform for undiscovered authors to share their work with the world. However, it is essential to be cautious while downloading Sr20det Full Service Manual. Some websites may offer pirated or illegally obtained copies of copyrighted material. Engaging in such activities not only violates copyright laws but also undermines the efforts of authors, publishers, and researchers. To ensure ethical downloading, it is advisable to utilize reputable websites that prioritize the legal distribution of content. When downloading Sr20det Full Service Manual, users should also consider the potential security risks associated with online platforms. Malicious actors may exploit vulnerabilities in unprotected websites to distribute malware or steal personal

information. To protect themselves, individuals should ensure their devices have reliable antivirus software installed and validate the legitimacy of the websites they are downloading from. In conclusion, the ability to download Sr20det Full Service Manual has transformed the way we access information. With the convenience, cost-effectiveness, and accessibility it offers, free PDF downloads have become a popular choice for students, researchers, and book lovers worldwide. However, it is crucial to engage in ethical downloading practices and prioritize personal security when utilizing online platforms. By doing so, individuals can make the most of the vast array of free PDF resources available and embark on a journey of continuous learning and intellectual growth.

FAQs About Sr20det Full Service Manual Books

How do I know which eBook platform is the best for me? Finding the best eBook platform depends on your reading preferences and device compatibility. Research different platforms, read user reviews, and explore their features before making a choice. Are free eBooks of good quality? Yes, many reputable platforms offer high-quality free eBooks, including classics and public domain works. However, make sure to verify the source to ensure the eBook credibility. Can I read eBooks without an eReader? Absolutely! Most eBook platforms offer webbased readers or mobile apps that allow you to read eBooks on your computer, tablet, or smartphone. How do I avoid digital eye strain while reading eBooks? To prevent digital eye strain, take regular breaks, adjust the font size and background color, and ensure proper lighting while reading eBooks. What the advantage of interactive eBooks? Interactive eBooks incorporate multimedia elements, quizzes, and activities, enhancing the reader engagement and providing a more immersive learning experience. Sr20det Full Service Manual is one of the best book in our library for free trial. We provide copy of Sr20det Full Service Manual in digital format, so the resources that you find are reliable. There are also many Ebooks of related with Sr20det Full Service Manual. Where to download Sr20det Full Service Manual online for free? Are you looking for Sr20det Full Service Manual PDF? This is definitely going to save you time and cash in something you should think about. If you trying to find then search around for online. Without a doubt there are numerous these available and many of them have the freedom. However without doubt you receive whatever you purchase. An alternate way to get ideas is always to check another Sr20det Full Service Manual. This method for see exactly what may be included and adopt these ideas to your book. This site will almost certainly help you save time and effort, money and stress. If you are looking for free books then you really should consider finding to assist you try this. Several of Sr20det Full Service Manual are for sale to free while some are payable. If you arent sure if the books you would like to download works with for usage along with your computer, it is possible to download free trials. The free guides make it easy for someone to free access online library for download books to your device. You can get free download on free

trial for lots of books categories. Our library is the biggest of these that have literally hundreds of thousands of different products categories represented. You will also see that there are specific sites catered to different product types or categories, brands or niches related with Sr20det Full Service Manual. So depending on what exactly you are searching, you will be able to choose e books to suit your own need. Need to access completely for Campbell Biology Seventh Edition book? Access Ebook without any digging. And by having access to our ebook online or by storing it on your computer, you have convenient answers with Sr20det Full Service Manual To get started finding Sr20det Full Service Manual, you are right to find our website which has a comprehensive collection of books online. Our library is the biggest of these that have literally hundreds of thousands of different products represented. You will also see that there are specific sites catered to different categories or niches related with Sr20det Full Service Manual So depending on what exactly you are searching, you will be able tochoose ebook to suit your own need. Thank you for reading Sr20det Full Service Manual. Maybe you have knowledge that, people have search numerous times for their favorite readings like this Sr20det Full Service Manual, but end up in harmful downloads. Rather than reading a good book with a cup of coffee in the afternoon, instead they juggled with some harmful bugs inside their laptop. Sr20det Full Service Manual is available in our book collection an online access to it is set as public so you can download it instantly. Our digital library spans in multiple locations, allowing you to get the most less latency time to download any of our books like this one. Merely said, Sr20det Full Service Manual is universally compatible with any devices to read.

Find Sr20det Full Service Manual :

~~specialist study guide 5301~~

speedaire air compressor parts manual 4l

sperry vickers industrial manual 935100a

spanish study guide

spelling connections grade 6 unit 35 answers

special segments in triangles 5 answer key

speco wdr t6 security cameras owners manual

spicer manual locking hub maintenance

speedlite 580ex electrical manual

spb shell 3d android manual

~~speed queen front load washer troubleshooting~~

spanish vocabulary packet

~~special ops exclusive~~
~~speco cvc 950ir security cameras owners manual~~
~~specific body defenses the immune system packet~~

Sr20det Full Service Manual :

canada summary supersummary - Jun 20 2022

web canada 2012 a novel by american author richard ford concerns teenager dell parsons whose parents are apprehended after robbing a bank the book received positive reviews and was awarded the american library association s 2013 andrew carnegie medal for excellence in fiction

canada richard ford babelio - Jun 01 2023

web aug 22 2013 canada huitième roman de richard ford est ma première rencontre avec l auteur dont la bibliographie bien fournie semble t il n est plus à présentée dans ce roman par le biais de son héros dell parsons adolescent de quinze ans nous voici transporté aux états unis dans les années 60 à great falls dans le montana petite bourgade étriquée

canada by richard ford the new york times - Sep 04 2023

web jun 7 2012 advertisement points north by andre dubus iii june 7 2012 willa cather once wrote that a creative writer can do his best only with what lies within the range and character of his deepest

canada kindle edition by ford richard literature fiction - Jul 22 2022

web may 22 2012 a powerful and unforgettable tale of the violence lurking at the heart of the world richard ford s canada will resonate long and loud for readers of stark and sweeping novels of american life from the novels of cheever and carver to the works of philip roth charles frazier richard russo and jonathan franzen read more print length 529 pages

pdf epub canada download oceanofpdf - Aug 23 2022

web dec 27 2020 before you start complete canada pdf epub by richard ford download you can read below technical ebook details full book name richard ford adult fiction book club canada coming of age contemporary crime cultural fiction literary fiction literature mystery novels young adult isbn 9780061692048

richard ford i just make up shit to worry about at 3am - May 20 2022

web jun 10 2023 we don t have children we feel very vulnerable as he has got older he has become a worrier and he doesn t like it one bit i just make up shit to worry about at 3am worry seems to

canada by richard ford fiction writers review - Oct 25 2022

web jul 5 2012 richard ford returns to montana and heads north to canada his seventh novel explores life s borders by joshua bodwell the former newspaper reporter in me demands i begin my thought here on richard ford s new novel canada

ecco with a bit of full disclosure ford lives here in my native state of maine and is a friend
amazon com canada 9780061692031 ford richard books - Jan 28 2023

web jan 22 2013 richard ford born february 16 1944 is an american novelist and short story writer his best known works are the novel the sportswriter and its sequels independence day the lay of the land and let me be frank with you as well as the short story collection rock springs which contains several widely anthologized stories

why it s getting harder for doug ford to sidestep blame for - Oct 13 2021

web nov 1 2023 cbc s mike crawley asked ontario premier doug ford if he was being honest with the people of ontario about whether he was involved in the government s greenbelt land swap ford replied

kanada roman wikipedia - Nov 25 2022

web kanada originaltitel canada ist ein roman des us amerikanischen autors und pulitzer preisträgers richard ford aus dem jahr 2012 die amerikanische originalausgabe übersetzte frank heibert ins deutsche diese seite wurde zuletzt am 8 februar 2022 um 08 47 uhr bearbeitet

canada by richard ford paperback barnes noble - Apr 18 2022

web jan 22 2013 richard ford is the author of the sportswriter independence day winner of the pulitzer prize and the pen faulkner award the lay of the land and the new york times bestseller canada his short story collections include the bestseller let me be frank with you sorry for your trouble rock springs and a multitude of sins which contain

canada dry the new yorker - Mar 18 2022

web may 14 2012 charming and charmed he is an embodiment of interesting and intimidating contradictions a southern childhood a midwestern education a restless adulthood occurring not just in new york and new

[canada ford richard amazon ca books](#) - Dec 27 2022

web richard ford is the pulitzer prize winning author of the bascombe novels and the new york times bestselling canada and let me be frank with you he is the author of the renowned short story collections rock springs and a multitude of sins ford is the 2016 recipient of the asturias award for literature in spain and he lives in east boothbay

canada novel wikipedia - Oct 05 2023

web canada is a 2012 novel by american author richard ford 1 the novel follows 15 year old dell parsons who must learn to fend for himself after his parents are arrested for robbing a bank 2 the book also re visits great falls montana a

canada on apple books - Dec 15 2021

web may 22 2012 richard ford 3 6 415 ratings 13 99 publisher description the only writer ever to win both the pulitzer prize and pen faulkner award for a single novel independence day richard ford follows the completion of his acclaimed bascombe trilogy with canada

canada richard ford google books - Feb 14 2022

web may 22 2012 canada richard ford harper collins may 22 2012 fiction 432 pages first i ll tell about the robbery our parents committed then the murders which happened later so begins canada the

canada by richard ford goodreads - Aug 03 2023

web jun 1 2012 canada by richard ford goodreads jump to ratings and reviews want to read kindle 13 99 rate this book canada richard ford 3 51 26 706 ratings3 667 reviews goodreads choice award nominee for best fiction 2012 first i ll tell about the robbery our parents committed then about the murders which happened later

canada by richard ford review fiction the guardian - Apr 30 2023

web may 25 2012 canada by richard ford review fiction the guardian big sky near great falls montana photograph robin loznak ap book of the week fiction review canada by richard ford review

canada by richard ford summary and reviews bookbrowse - Jan 16 2022

web excerpt book summary a true masterwork of haunting and spectacular vision from one of our greatest writers canada is a profound novel of boundaries traversed innocence lost and reconciled and the mysterious and consoling bonds of family first i ll tell about the robbery our parents committed then the murders which happened later

richard ford author of canada goodreads - Feb 26 2023

web richard ford born february 16 1944 in jackson mississippi is an american novelist and short story writer his best known works are the novel the sportswriter and its sequels independence day the lay of the land and let me be frank with you and the short story collection rock springs which contains several widely anthologized stories

richard ford wikipedia - Mar 30 2023

web richard ford born february 16 1944 is an american novelist and short story writer the lay of the land completed his series of bascombe novels but canada was a stand alone novel in april 2013 ford read from a new frank bascombe story without revealing to the audience whether it was part of a longer work

books by richard ford author of canada goodreads - Sep 23 2022

web richard ford average rating 3 72 96 944 ratings 9 963 reviews shelved 203 951 times showing 30 distinct works previous 1 2 3 4 5 6 7 8 9 next sort by previous 1 2 3 4 5 6 7 8 9 next note these are all the books on goodreads for this author to add more books click here

canada by richard ford review richard ford the guardian - Jul 02 2023

web jun 2 2012 ordinary 1950s family life takes a turn for the worse on the us canada border in richard ford s seventh novel photograph dennis hallinan jupiterimages com the observer richard ford

canada by richard ford audiobook scribd - Nov 13 2021

web richard ford is the author of the sportswriter independence day winner of the pulitzer prize and the pen faulkner award the lay of the land and the new york times bestseller canada his short story collections include the bestseller let me be frank with you sorry for your trouble rock springs and a multitude of sins which contain many

[la sombra psicoguías](#) - Aug 15 2023

la psicología jungiana define la sombra como el conjunto de frustraciones experiencias vergonzosas dolores temores inseguridades rencor agresividad que se aloja en lo inconsciente del ser humano formando un completo muchas veces disociado de la consciencia dicho de otra manera es see more

[wilber ken sombra pdf mente inconsciente las](#) - Jun 13 2023

te voy a poner un ejemplo literario de la sombra es decir de nuestra dualidad la obra de louis stevenson titulada dr jekyll and mr hyde dr see more

[meditación y conciencia ken wilber cultura física y](#) - May 12 2023

cuando niegas la sombra entregas tu energía vital a ese lado oscuro por este motivo muchas personas vivan cansadas tristes estresadas se gasta mucha energía intentando see more

ken wilber el espectro de la consciencia y la - Nov 06 2022

web reconocido y experimentado su autora no conduce a la liberacin sino que aboca a la formacin de sintomas as pues la desidentificacin sana desapego consiste en

el encuentro con nuestra sombra perspectiva integral - Oct 05 2022

web mar 7 2014 para aceptar la sombra wilber nos recomienda la técnica 3 2 1 que reconoce la irrealidad de proyectar la sombra sobre el 3 como ello o él para

la sombra telenovela wikipedia la enciclopedia libre - Dec 27 2021

web argumento silvia montanari es silvia cruz una mujer que a punto de casarse con su gran amor el arquitecto gerardo lencinas victor hugo vieyra queda paralítica en el

ken wilber el creador de la psicología integral - Feb 09 2023

web no obstante la sombra siempre tiene algo que decir y pugna por abrirse paso hacia la consciencia en forma de ansiedad culpa miedo y depresión la sombra deviene

ejercicio reconocer la sombra pdf vsip info - Aug 03 2022

web ken wilber este ejercicio nos permite reconocer la propia sombra se trata de enfrentar cualquier conflicto que tengamos en tres escalones progresivos 1ª 2ª y 3ª persona la

el módulo de la sombra la vision integral ken - Jul 14 2023

primeramente dándote cuenta de la enorme tensión interna que tienes por no asumir tus propias características impulsos y

emociones al no encajar con la imagen social de ti mismo que quieres dar la sombra está see more

el poder del lado oscuro de la naturaleza - Apr 11 2023

la siguiente propuesta práctica es un ejercicio que nos propone ken wilber escritor y pensador estadounidense define la sombra como algún aspecto no reconocido de uno mismo toda característica que see more

chip wickham la sombra album reviews songs more - Oct 25 2021

web discover la sombra by chip wickham find album reviews track lists credits awards and more at allmusic

la sombra ken wilber pdfsdocuments com - Feb 26 2022

web aug 13 2023 la sombra ken wilber pdfsdocuments com pdf descarga gratis encuentro con la sombra por aa vv tue 17 apr 2018 06 54 00 gmt schaff lenguaje

frases de ken wilber 8 citas frases de famosos - Sep 04 2022

web kenneth earl wilber jr más conocido como ken wilber es un escritor estadounidense cuyos intereses versan principalmente sobre filosofía psicología religiones comparadas

teoria sobre la sombra ken wilbert pdf ira las emociones - Dec 07 2022

web ken wilber se enfoca más en la psicología transpersonal pero a diferencia de muchas escuelas y psicólogos no opone estas cuatro fuerzas entre sí sino que mascara y

psicología transpersonal ken wilber asurikapilayoga - Mar 10 2023

web vamos ahora el módulo de un minuto relativo a la sombra al que llamamos trabajo 3 2 1 con la sombra porque nos ayuda a afrontar sus síntomas y a reasumirlos

la sombra ken wilber pdfsdocuments com - Sep 23 2021

web may 4th 2018 modelo integral de ken wilber la sombra ken wilber nos propone en su modelo integral que sí donde hablo del modelo integral de ken wilber la última

la sombra ken wilber pdfsdocuments com - Jun 01 2022

web books la sombra ken wilber to read read online la sombra ken wilber books free ebook la sombra 3 2 1 psicotrabajo con la sombra youtube may 1st 2018 módulo 3

la sombra wikipedia - Nov 25 2021

web la sombra de chicago or la sombra de tony guerrero or even the windy city boys is a tejano band founded by tony guerrero originally from the chicago suburb of aurora

la sombra ken wilber help environment harvard edu - Mar 30 2022

web la sombra ken wilber recognizing the pretension ways to acquire this ebook la sombra ken wilber is additionally useful you have remained in right site to begin getting this

la sombra ken wilber pdfsdocuments com - Jul 02 2022

web march 13th 2018 ken wilber sobre el desarrollo los contenidos profundos de la sombra no desaparecen con la meditación y el acceso a los estadios superiores de la práctica

la sombra 2021 imdb - Jan 28 2022

web may 28 2021 la sombra directed by juan antonio chavero briones with rafa blanes silvia navarro carla córdoba romero ivan ojeda juan and lucia are two survivors in

la sombra película de 1994 wikipedia la enciclopedia libre - Apr 30 2022

web la sombra descubre la ubicación de la guarida de khan el lujoso hotel monolith un edificio en el medio de la ciudad que khan ha vuelto invisible sabiendo que reinhardt

quién soy de ken wilber diálogo existencial - Jan 08 2023

web oct 17 2020 el reto aquí está en armonizar la tensión entre persona sombra es decir acercarse a la persona a su sombra para ayudarla a construir una autoimagen precisa y

electromagnetic induction mcq test online quiz 2023 - Mar 31 2022

web aug 27 2022 this electromagnetic induction mcq test contains 20 multiple choice questions you have to select the right answer to the question finally you can also download electromagnetic induction mcq pdf completely free 1 which of the following is the consequence of motor effect voltage current emf electromagnetic induction

ch 20 multiple choice physics openstax - Jan 09 2023

web the region between the poles of the magnet the space around the magnet that is affected by the magnetic field the region within the magnet in which the magnetic poles of individual atoms are aligned the region from which the magnetic material is mined 23 in the region just outside the south pole of a magnet the magnetic field lines

ps i ap physics 2 electromagnetic induction multiple choice - Feb 10 2023

web 1 a beam of electrons travels between two parallel coils of wire as shown in the figures above when the coils do not carry a current the electron beam is undeflected and hits the center of the screen as indicated by the dashed line when the coils carry a constant current i the electron beam is deflected toward which edge of the screen a

20 3 electromagnetic induction physics openstax - May 13 2023

web the basic process of generating currents with magnetic fields is called induction this process is also called magnetic induction to distinguish it from charging by induction which uses the electrostatic coulomb force

electromagnetic induction mcq with answers pdf download - Oct 06 2022

web electromagnetic induction multiple choice questions mcq quiz electromagnetic induction quiz answers pdf for online high school classes to practice grade 10 physics tests electromagnetic induction mcq pdf transformer magnetic effects of

steady current turning effect on a current carrying coil in magnetic field test for virtual online
[electromagnetic induction physics quiz quizz](#) - Sep 05 2022

web take the magnet out add more coils around the paper cylinder tags question 3 survey 30 seconds report an issue q
electromagnetic induction is taking place in this experiment

multiple choice questions sample exam questions magnetism - Mar 11 2023

web sample exam questions magnetism and electromagnetism understanding how to approach exam questions helps boost
exam performance questions will include multiple choice descriptions and

ap physics practice test faraday s law inductance part i multiple choice - Jul 03 2022

web ap physics practice test faraday s law inductance this test covers faraday s law of induction motional emf lenz s law
induced emf and electric fields eddy currents self inductance inductance rl circuits and energy in a magnetic field with some
problems requiring knowledge of basic calculus part i multiple choice

100 electromagnetic induction multiple choice questions with - Jul 15 2023

web sep 20 2021 this article lists 100 electromagnetic induction mcqs for engineering students all the electromagnetic
induction questions answers given below includes solution and link wherever possible to the relevant topic

[electromagnetic induction practice problems homework name multiple](#) - Apr 12 2023

web electromagnetic induction practice problems homework psi ap physics b name multiple choice questions a square loop of
wire is placed in a uniform magnetic field perpendicular to the magnetic lines the strength of the magnetic field is 0.5 t and
the side of the loop is 0.2 m

electromagnetic induction physics mcq with answers pdf - Dec 28 2021

web the e book electromagnetic induction physics multiple choice questions mcq quiz electromagnetic induction physics quiz
answers pdf to learn online courses a level physics tests study electromagnetic induction multiple choice questions and
answers mcqs electromagnetic induction physics quiz questions for gre subject test

multiple choice questions sample exam questions electromagnetic - Aug 16 2023

web edexcel sample exam questions electromagnetic induction understanding how to approach exam questions helps to
boost exam performance questions will include multiple choice structured

electromagnetic induction mcqs mcq s mentor - Feb 27 2022

web electromagnetic induction mcqs our collections of multiple choice questions and answers focuses on study of
electromagnetic induction in physics these questions are chosen from a collection of most authoritative and best reference
books on physics

electromagnetic induction questions practice questions with - Aug 04 2022

web electromagnetic induction questions the process of electromagnetic induction generates a voltage or electromotive force emf across the electrical conductor due to a changing magnetic field electromagnetic induction is generally referred to as induction

slide 1 47 practice problems electromagnetic induction njctl - Jun 14 2023

web electromagnetic induction practice problems multiple choice 1 a square loop of wire is placed in a uniform magnetic field perpendicular to the magnetic lines the strength of the magnetic field is 0.5 T and the side of the loop is 0.2 m

electromagnetic induction multiple choice questions pdf quiz - Jun 02 2022

web the multiple choice question mcq quiz emf can be induced in a circuit by pdf electromagnetic induction app download free with changing area of circuit changing magnetic flux density changing the angle and all of *electromagnetic induction and inductance mcq quiz* - Dec 08 2022

web aug 4 2023 electromagnetic induction and inductance question 1 two long solenoids s_1 and s_2 have equal lengths and the solenoid s_1 is placed co axially inside the solenoid s_2 if the current in both the solenoids is doubled then the mutual inductance of both the solenoids will become four times double remain unchanged all of above none of the electromagnetic induction dp ib physics hl multiple choice - Nov 07 2022

web easy medium hard model answers 1 1 mark a coil rotates in a uniform magnetic field the graph shows the variation with time t of the magnetic flux ϕ through a coil determine the times when the magnitude of the induced emf measured across the ends of the coil is at a minimum t_1 only

jee physics electromagnetic induction mcqs set b studiestoday - May 01 2022

web multiple choice questions for electromagnetic induction are an important part of exams for full syllabus physics and if practiced properly can help you to get higher marks refer to more chapter wise mcqs for jee main full syllabus physics and also download more latest study material for all subjects

electromagnetic induction quiz questions with solutions vedantu - Jan 29 2022

web solve these electromagnetic induction questions and sharpen your practice problem solving skills we have quizzes covering all electromagnetic induction concepts subject matter experts have curated these online quizzes with varying difficulty levels for a well rounded practice session 69 attempts made on this topic created by experts